



US00D870520S

(12) **United States Design Patent** (10) **Patent No.:** **US D870,520 S**  
**Carey et al.** (45) **Date of Patent:** **\*\* Dec. 24, 2019**

(54) **COOLER**

(56) **References Cited**

(71) Applicant: **THE METAL WARE CORPORATION**, Two Rivers, WI (US)  
(72) Inventors: **Richard Carey**, Manitowoc, WI (US); **Ross Niemi**, Two Rivers, WI (US)  
(73) Assignee: **THE METAL WARE CORPORATION**, Two Rivers, WI (US)  
(\*\*) Term: **15 Years**  
(21) Appl. No.: **29/627,595**  
(22) Filed: **Nov. 28, 2017**

U.S. PATENT DOCUMENTS

1,483,953 A	2/1924	Rainey	
D70,542 S	7/1926	Davis	
1,699,313 A	1/1929	Schlaich	
2,960,216 A	11/1960	Brady	
D210,795 S	4/1968	Birger	
3,782,765 A	1/1974	Wallyn	
D232,798 S	9/1974	Roche	
D237,135 S	10/1975	Wiant	
4,024,731 A *	5/1977	Branscum	..... B65D 81/3823 62/457.2
D257,934 S	1/1981	Buss	
D259,232 S	5/1981	Tarozzi	
D266,822 S	11/1982	Seager	
D270,604 S	9/1983	Zauft	
D281,695 S *	12/1985	Ryan, Jr.	..... D7/605
D283,480 S	4/1986	Bailey	
D283,966 S	5/1986	Carlson	
D291,858 S	9/1987	Baker et al.	
4,702,504 A	10/1987	Brothers	

(Continued)

**Related U.S. Application Data**

(62) Division of application No. 29/553,277, filed on Jan. 29, 2016, now Pat. No. Des. 807,123.  
(51) **LOC (12) Cl.** ..... **07-01**  
(52) **U.S. Cl.**  
USPC ..... **D7/605**  
(58) **Field of Classification Search**  
USPC ..... D7/605-608, 629, 630, 709, 710;  
D3/272-274  
CPC ..... B65D 81/3888; B65D 81/38; B65D 81/3813; B65D 81/3816; B65D 81/3818; B65D 81/3823; B65D 81/3858; A45C 11/20; A45C 5/14; A45C 5/03; A45C 9/00; A45F 3/46; F25D 3/02; F25D 3/04; F25D 3/06; F25D 3/08; F25D 3/11; F25D 3/14; F25D 2331/804; F25D 31/005; A47B 77/08; A47J 41/022; A47G 19/2288; B26B 3/003; F25B 19/00  
See application file for complete search history.

*Primary Examiner* — Terry A Wallace

(74) *Attorney, Agent, or Firm* — Seager, Tufte & Wickhem LLP

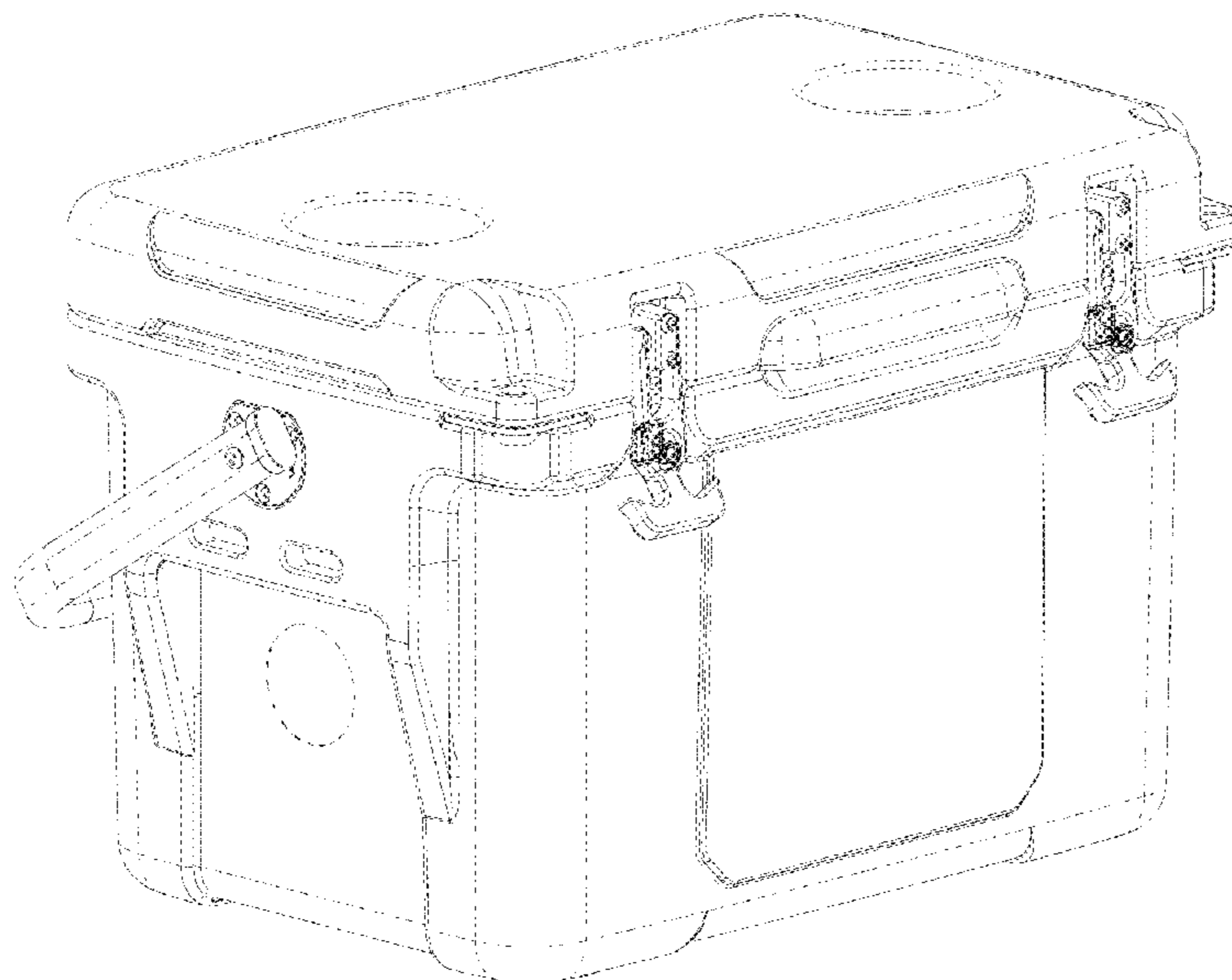
(57) **CLAIM**

The ornamental design for a cooler, as shown and described.

**DESCRIPTION**

FIG. 1 is a top perspective view of an embodiment of a cooler;  
FIG. 2 is a front side view of the cooler of FIG. 1;  
FIG. 3 is a back side view of the cooler of FIG. 1;  
FIG. 4 is a left side view of the cooler of FIG. 1;  
FIG. 5 is a right side view of the cooler of FIG. 1;  
FIG. 6 is a top side view of the cooler of FIG. 1; and,  
FIG. 7 is a bottom side view of the cooler of FIG. 1.  
The broken lines in the drawings illustrate portions in the article that form no part of the claim.

**1 Claim, 7 Drawing Sheets**



(56)

References Cited

U.S. PATENT DOCUMENTS

D305,397 S	1/1990	Balius	
D307,998 S	5/1990	Costello et al.	
D322,198 S	12/1991	Dringenburg	
D325,323 S *	4/1992	Kahl .....	D7/605
D325,324 S	4/1992	Kahl	
D325,853 S	5/1992	Kahl	
D328,221 S	7/1992	Piccarillo	
D328,689 S	8/1992	Riskowski	
D330,329 S	10/1992	Brightbill	
D333,775 S	3/1993	Krape	
D334,868 S	4/1993	Woon	
D337,232 S *	7/1993	Kahl .....	D7/605
D340,167 S	10/1993	Kahl	
D340,620 S	10/1993	Peters	
D349,007 S	7/1994	Costello	
D351,318 S	10/1994	Wedi	
D352,208 S	11/1994	Brookshire	
D353,304 S	12/1994	Friedrich	
D354,419 S *	1/1995	Kahl .....	D7/605
D366,599 S	1/1996	Brown et al.	
D369,722 S	5/1996	Lopez et al.	
D370,159 S	5/1996	Fenton et al.	
D374,772 S *	10/1996	Hotaling .....	D3/273
D376,068 S	12/1996	Coy	
5,607,195 A	3/1997	Antonucci	
D380,369 S	7/1997	Antonucci	
D386,649 S	11/1997	Arnfelt	
5,683,097 A	11/1997	Fenton et al.	
5,735,428 A	4/1998	Chern	
5,738,238 A	4/1998	Yang	
5,742,990 A	4/1998	Antonucci	
D394,550 S	5/1998	Tanji	
D396,779 S	8/1998	Moffett, III et al.	
D397,585 S	9/1998	Rausch et al.	
D398,816 S	9/1998	Koutsouflakis	
5,860,281 A *	1/1999	Coffee .....	A45C 11/20 62/3.62
D407,609 S	4/1999	Rausch	
D415,393 S	10/1999	Kei	
D415,658 S	10/1999	Frehse	
D416,447 S *	11/1999	Levy .....	D7/605
D421,552 S	3/2000	Frehse	
D423,294 S	4/2000	Klein et al.	
D429,606 S	8/2000	Israel et al.	
D437,736 S	2/2001	Moffett, III et al.	
6,182,462 B1 *	2/2001	Bania .....	A45C 11/20 62/264
D439,406 S	3/2001	Zimmerman	
D439,913 S	4/2001	Jobst	
D454,292 S	3/2002	Plummer et al.	
6,364,329 B1 *	4/2002	Holub .....	A45C 5/14 280/47.26
6,398,272 B1 *	6/2002	Plummer .....	E05C 19/06 292/246
D467,470 S	12/2002	Cantor et al.	
D467,770 S	12/2002	Blalock	
D475,248 S	6/2003	Cantor et al.	
D486,457 S	2/2004	Lee	
D494,021 S *	8/2004	Huthmaker .....	D7/605
D511,247 S	11/2005	Tsuchiya	
D511,624 S	11/2005	Rosine et al.	
D521,810 S	5/2006	Estes	
D527,225 S *	8/2006	Krieger .....	D7/605
D528,368 S *	9/2006	Maldonado .....	D7/605
D552,426 S *	10/2007	Jones .....	D7/605
D560,102 S	1/2008	Sumter	
D563,731 S	3/2008	Thurston	
D566,479 S *	4/2008	Kabalin .....	D3/273
D575,059 S	8/2008	Cappiello et al.	
D587,972 S	3/2009	Dorisca et al.	
7,533,782 B2	5/2009	Parker et al.	
7,540,364 B2	6/2009	Sanderson	
D604,994 S	12/2009	Greenlees et al.	
D613,109 S	4/2010	Sanchez et al.	
D613,560 S	4/2010	Robichaud et al.	
7,722,204 B1	5/2010	Sandberg	
D634,982 S	3/2011	Melchert et al.	
D637,459 S	5/2011	Giese	
D640,102 S	6/2011	Hawkins	
D645,248 S	9/2011	Osiecki et al.	
D646,528 S	10/2011	Stallman et al.	
D651,860 S *	1/2012	Nie .....	D7/605
D652,262 S *	1/2012	Yang .....	D7/605
D660,885 S	5/2012	Crawford	
8,210,702 B1	7/2012	Sandberg	
D694,070 S	11/2013	Torres	
D712,720 S	9/2014	Seiders	
D712,721 S	9/2014	Seiders	
D712,722 S	9/2014	Seiders	
D712,723 S	9/2014	Seiders	
D714,125 S	9/2014	Seiders	
8,875,934 B2 *	11/2014	Deka .....	B65D 81/3823 220/23.88
8,887,515 B2 *	11/2014	Patstone .....	F25D 3/08 62/457.2
8,910,819 B2	12/2014	Seiders	
9,187,232 B2	11/2015	Seiders	
D747,950 S	1/2016	Jacobsen et al.	
D747,951 S	1/2016	Jacobsen et al.	
D748,452 S	2/2016	Jacobsen et al.	
D750,953 S	3/2016	Jacobsen et al.	
9,366,467 B2 *	6/2016	Kiedaisch .....	F25D 3/00
2005/0127081 A1 *	6/2005	Leba .....	F25D 3/08 220/761
2008/0025544 A1	1/2008	Maldonado	
2008/0110892 A1	5/2008	House	
2008/0178629 A1 *	7/2008	Meether .....	F25D 3/08 62/451
2009/0139245 A1 *	6/2009	Blackway .....	F25B 21/02 62/3.62
2011/0203297 A1	8/2011	Oberweis	
2012/0132657 A1 *	5/2012	Seiders .....	B65D 81/3816 220/592.2
2013/0062356 A1 *	3/2013	Deka .....	B65D 81/3823 220/592.25
2014/0252010 A1	9/2014	Miller	
2015/0060470 A1 *	3/2015	Seiders .....	B65D 81/3816 292/194
2015/0114024 A1 *	4/2015	Grepper .....	F25D 23/00 62/320
2015/0369529 A1 *	12/2015	Monroe .....	F25D 3/08 62/457.2

\* cited by examiner

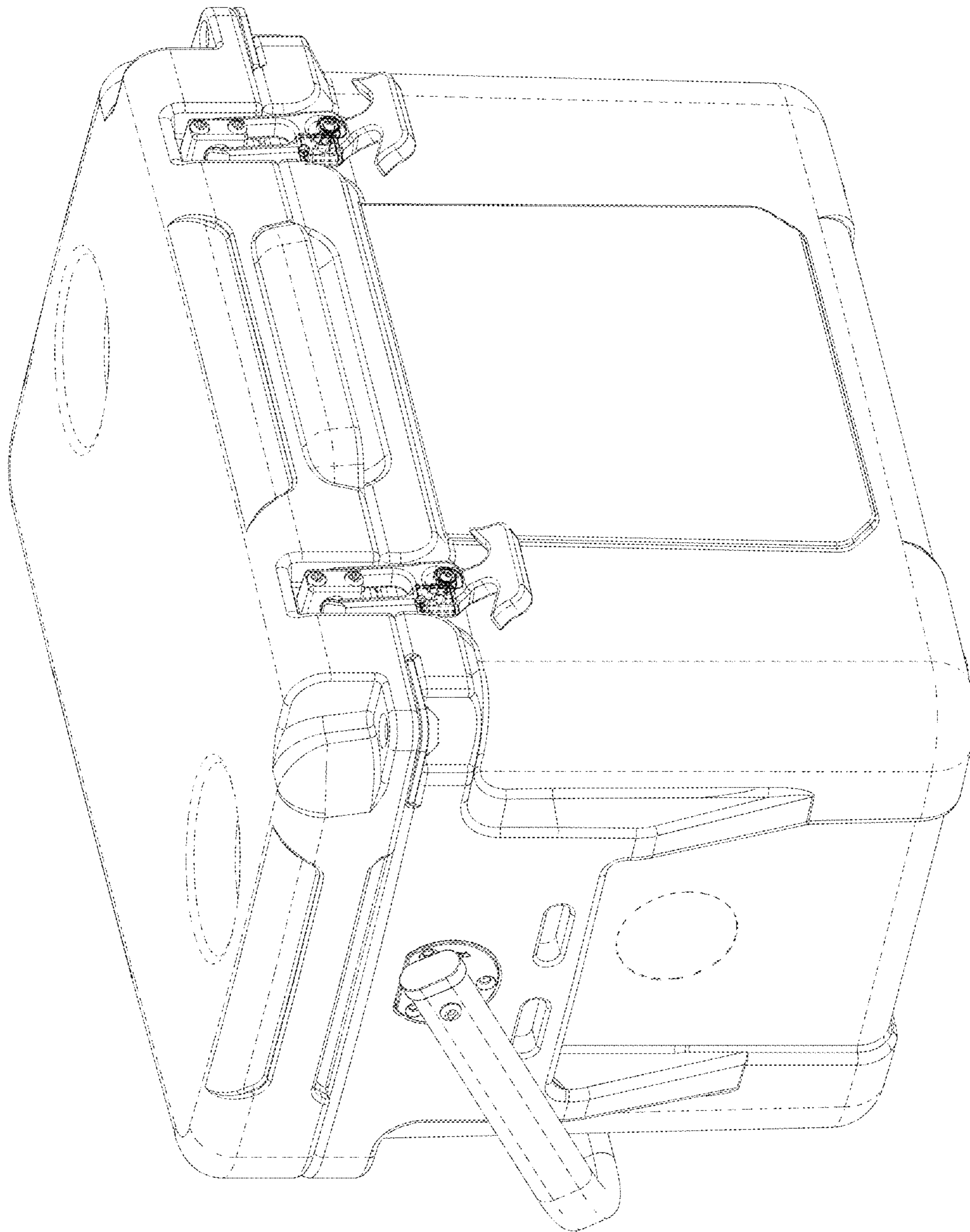


Figure 1

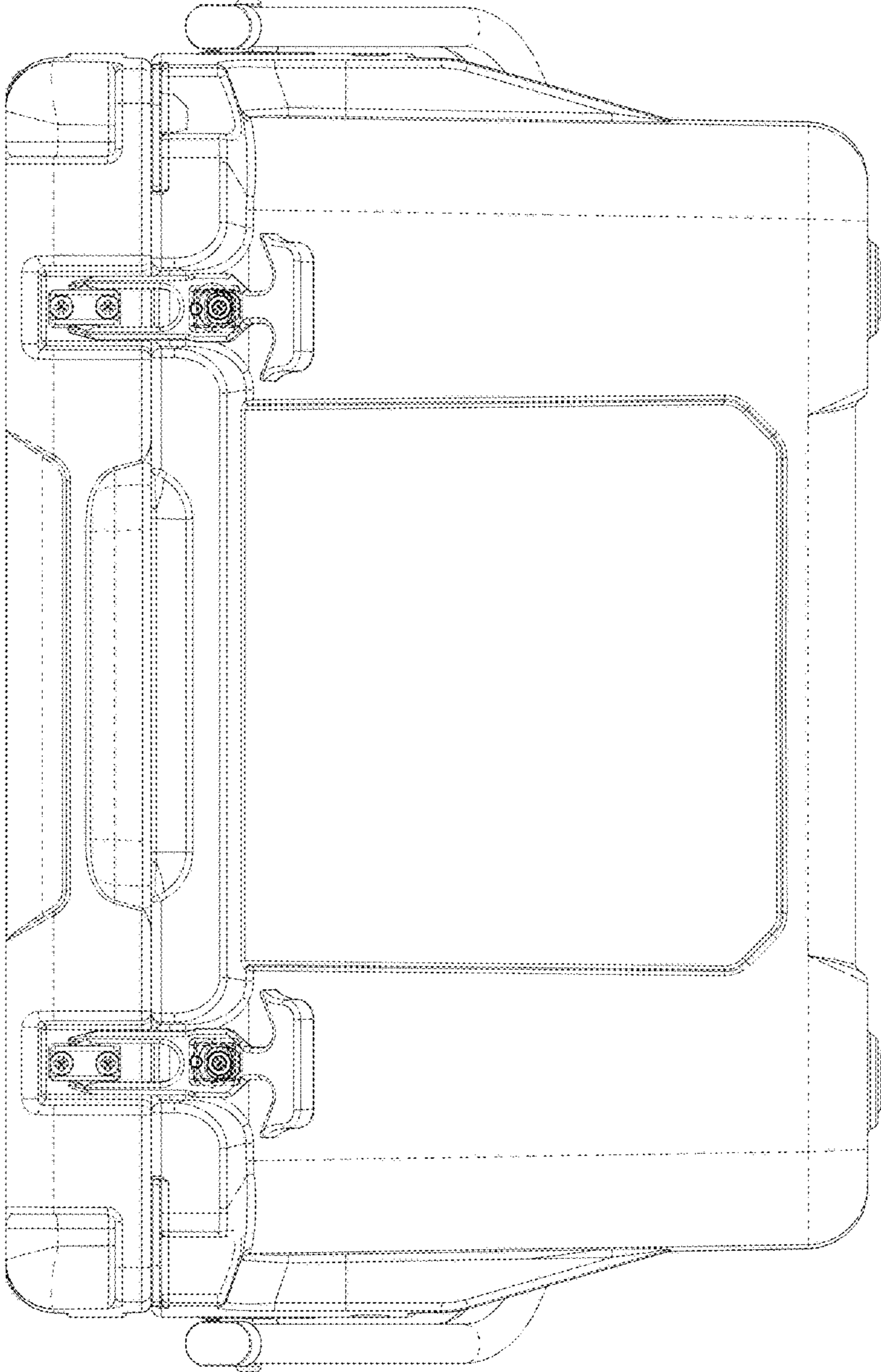


Figure 2

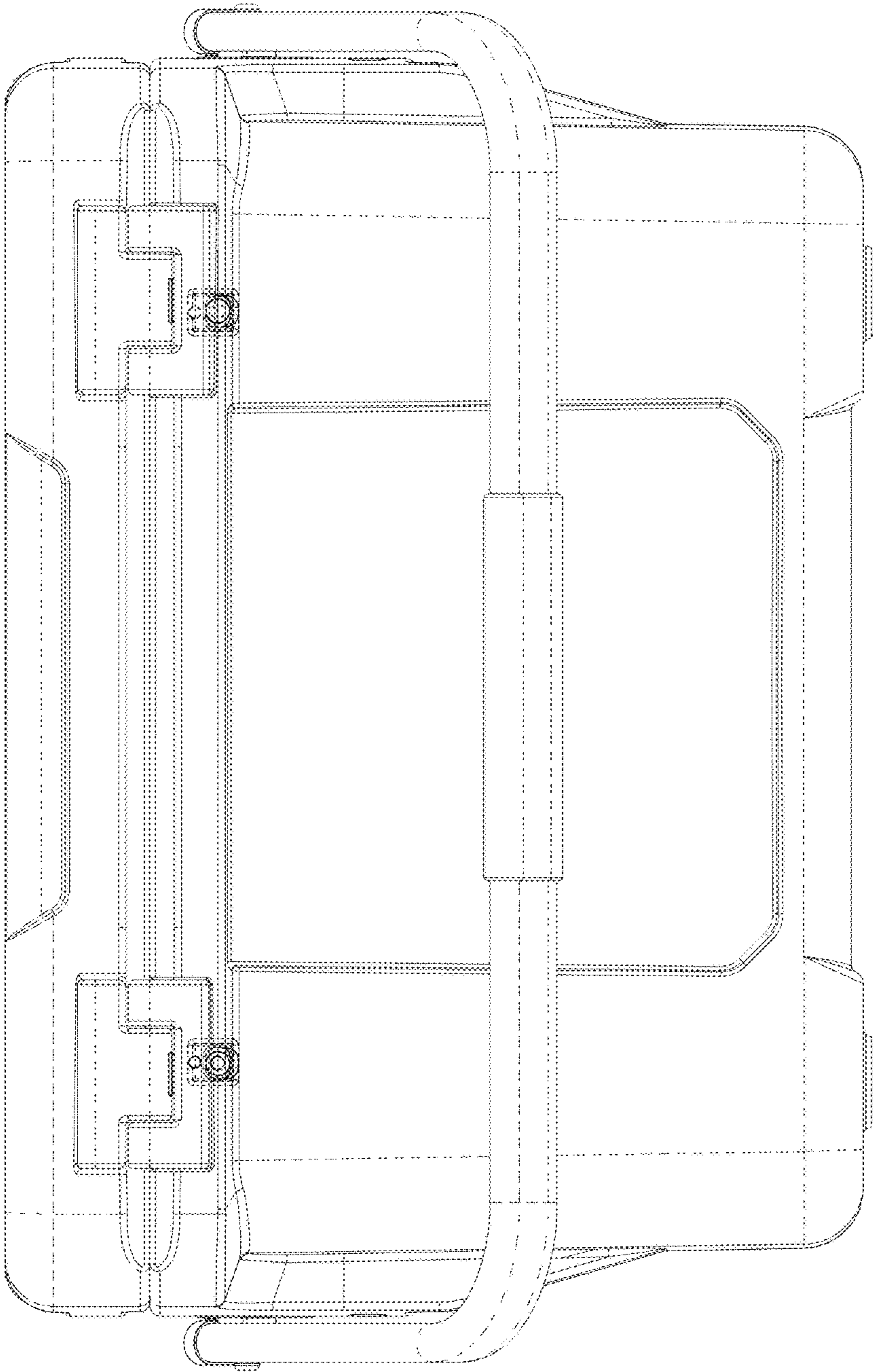


Figure 3

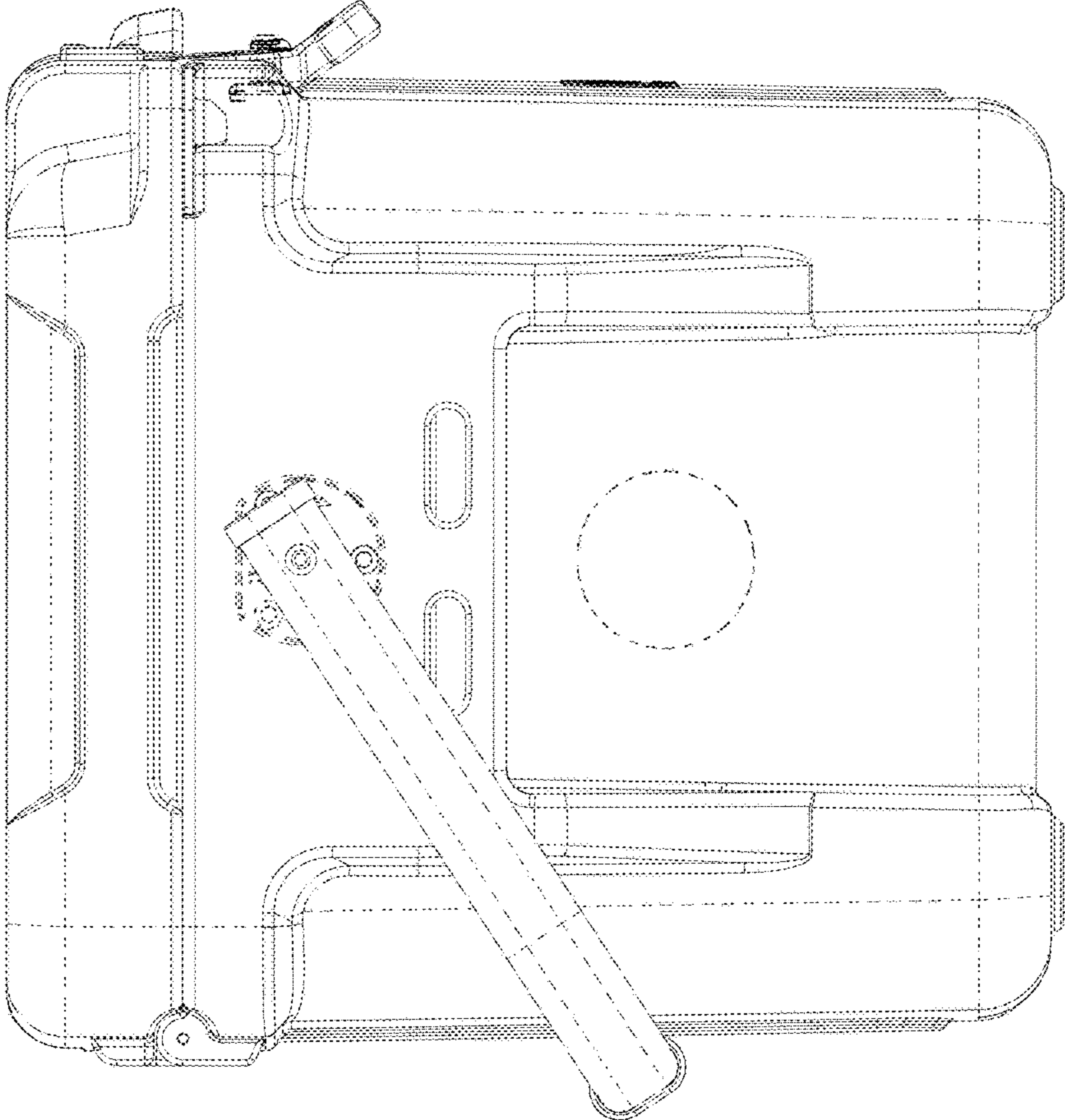


Figure 4

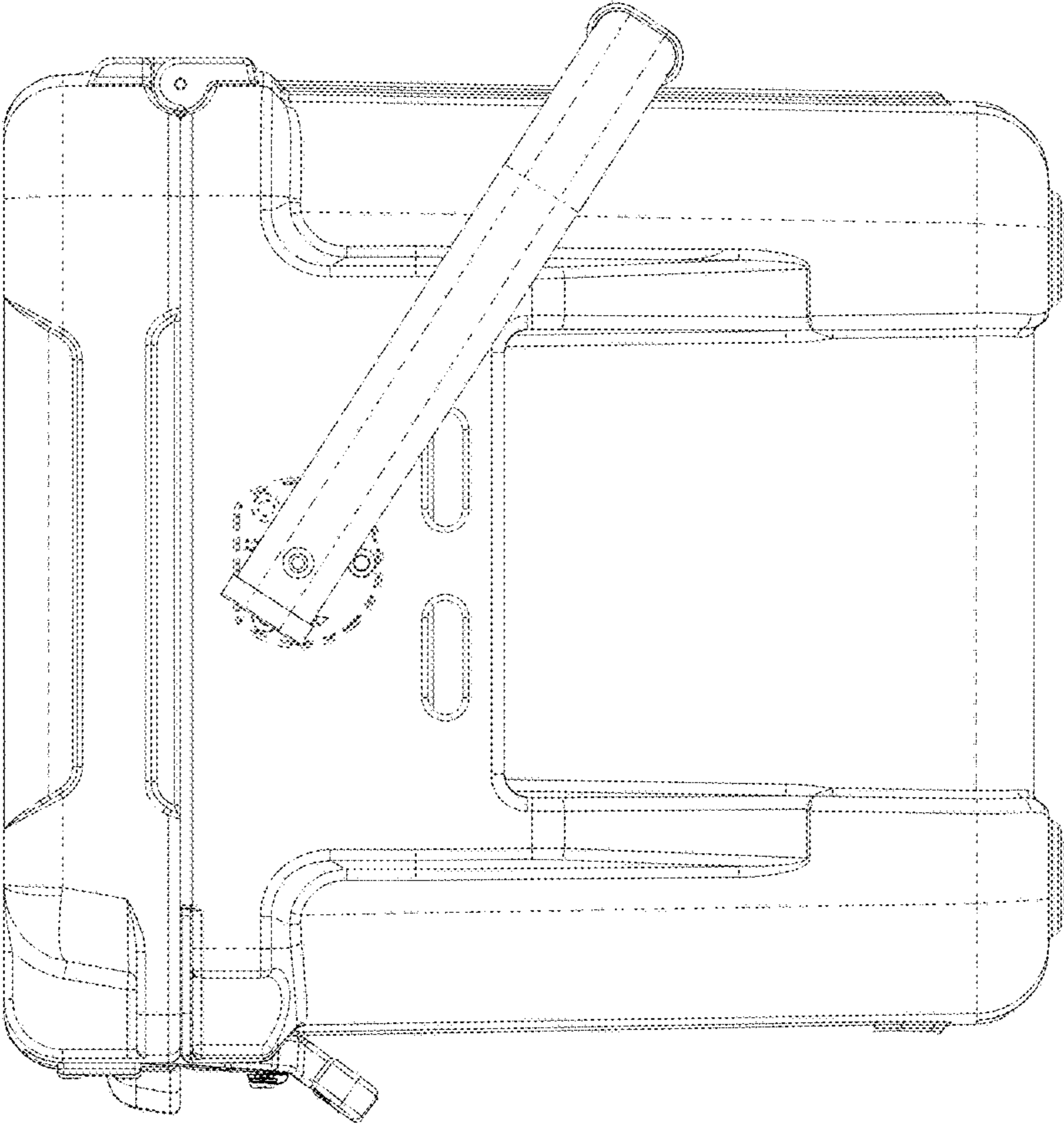


Figure 5

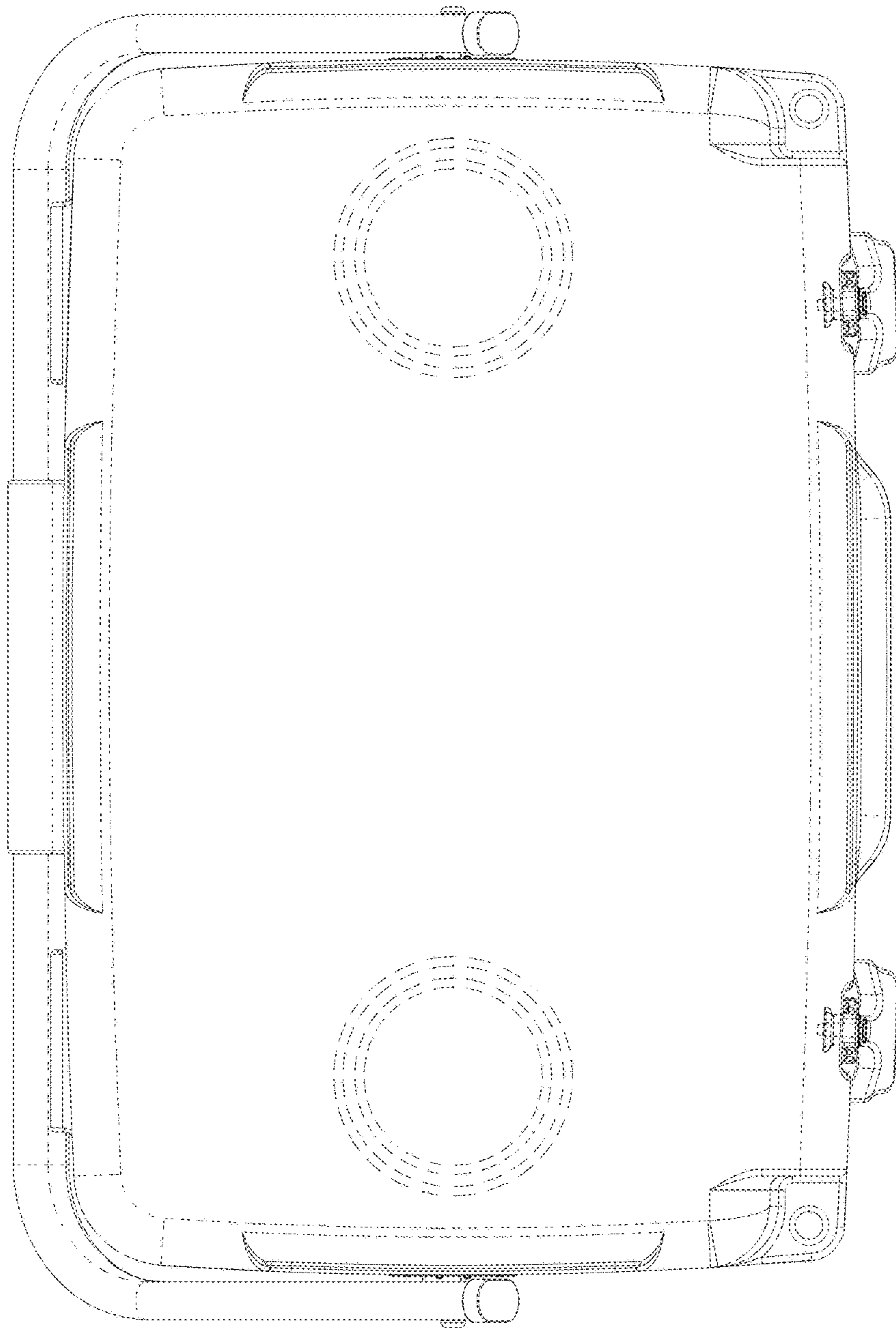


Figure 6



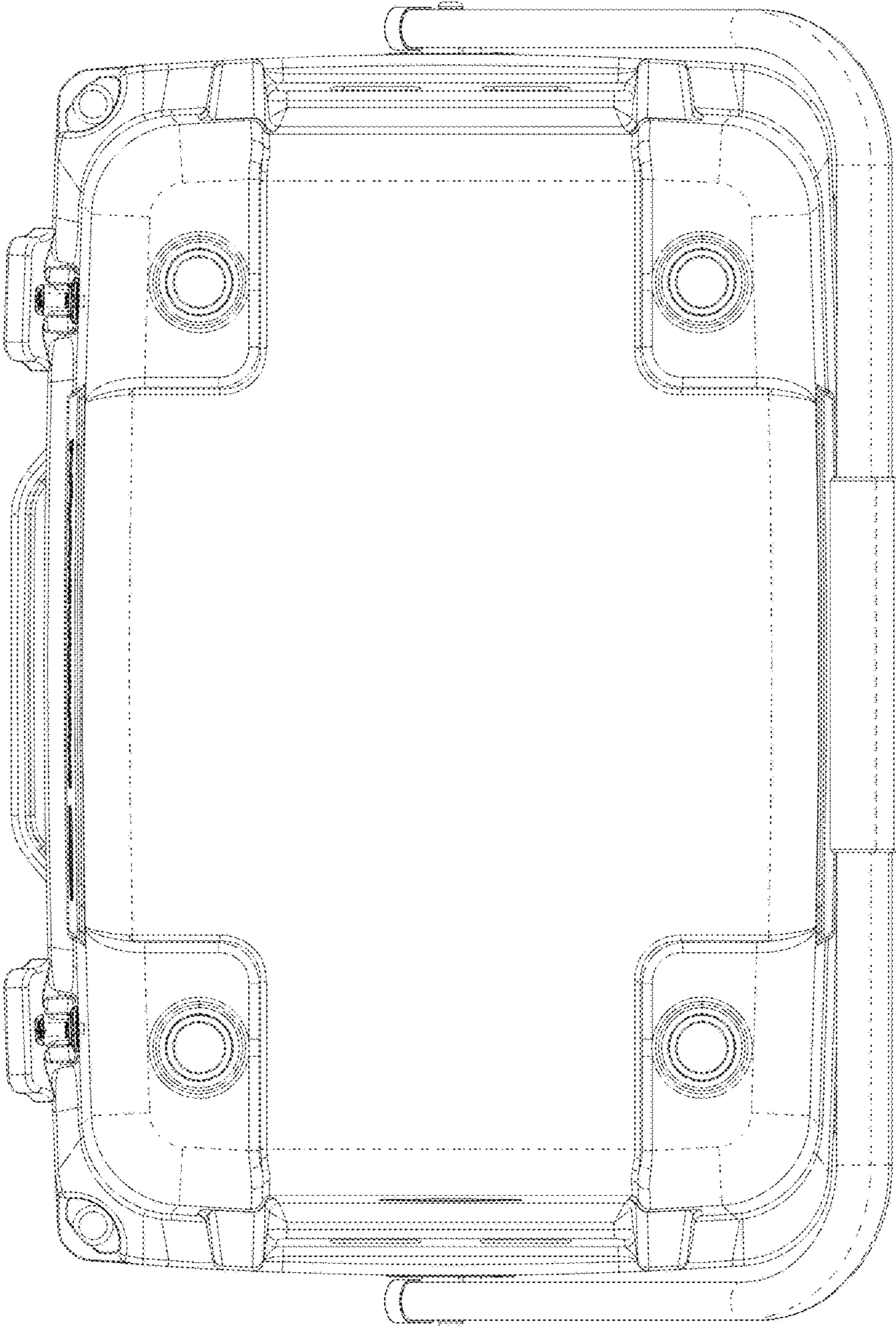


Figure 7