



US00D870513S

(12) **United States Design Patent** (10) **Patent No.:** **US D870,513 S**
Casas (45) **Date of Patent:** **** Dec. 24, 2019**

(54) **TORTILLA RACK**

(71) Applicant: **Jeronimo Casas**, Whittier, CA (US)

(72) Inventor: **Jeronimo Casas**, Whittier, CA (US)

(**) Term: **15 Years**

(21) Appl. No.: **29/690,843**

(22) Filed: **May 10, 2019**

Related U.S. Application Data

(63) Continuation-in-part of application No. 16/409,340, filed on May 10, 2019.

(51) **LOC (12) Cl.** **07-06**

(52) **U.S. Cl.**
USPC **D7/504; D7/703**

(58) **Field of Classification Search**
USPC **D7/504, 601, 701-708; D6/657, 663, D6/666, 668, 672, 677, 680**

(Continued)

(56) **References Cited**

U.S. PATENT DOCUMENTS

- 3,168,229 A * 2/1965 Heifetz A47G 19/08 294/137
- 5,191,977 A * 3/1993 Markovitz G11B 33/0433 206/308.1

(Continued)

Primary Examiner — Terry A Wallace

(74) *Attorney, Agent, or Firm* — Kenneth L. Green; Averill & Green

(57) **CLAIM**

The ornamental design for a tortilla rack, as shown and described.

DESCRIPTION

FIG. 1 is a perspective view showing the front, left side and top of the tortilla rack showing my new design.

FIG. 2 is a perspective view showing the front, left side and top of the tortilla rack with a door removed showing my new design.

FIG. 3 is a perspective view showing the front, left side and top of the a first embodiment of the tortilla rack having a sliding door showing my new design.

FIG. 4 is a front view of the first embodiment of the tortilla rack showing my new design.

FIG. 5 is a right side view of a first embodiment of the tortilla rack showing my new design, the left side the mirror image of the right side.

FIG. 6 is a rear view of a first embodiment of the tortilla rack showing my new design.

FIG. 7 is a top view of a first embodiment of the tortilla rack showing my new design.

FIG. 8 is a bottom view of a first embodiment of the tortilla rack showing my new design.

FIG. 9 is a right side view of a first embodiment of the tortilla rack with a sliding door open, showing my new design.

FIG. 10 is a front view of a second embodiment of the tortilla rack having a removable door showing my new design.

FIG. 11 is a right side view of the second embodiment of the tortilla rack showing my new design, the left side the mirror image of the right side.

FIG. 12 is a rear view of the second embodiment of the tortilla rack with a sliding door open, showing my new design.

FIG. 13 is a top view of the second embodiment of the tortilla rack showing my new design.

FIG. 14 is a bottom view of the second embodiment of the tortilla rack showing my new design.

FIG. 15 is a right side view of the second embodiment of the tortilla rack with a removable door removed, showing my new design.

FIG. 16 is a perspective view showing the front, left side and top of the removable door of the second embodiment of the tortilla rack showing my new design.

FIG. 17 is a front view of the removable door of the second embodiment of the tortilla rack showing my new design.

(Continued)

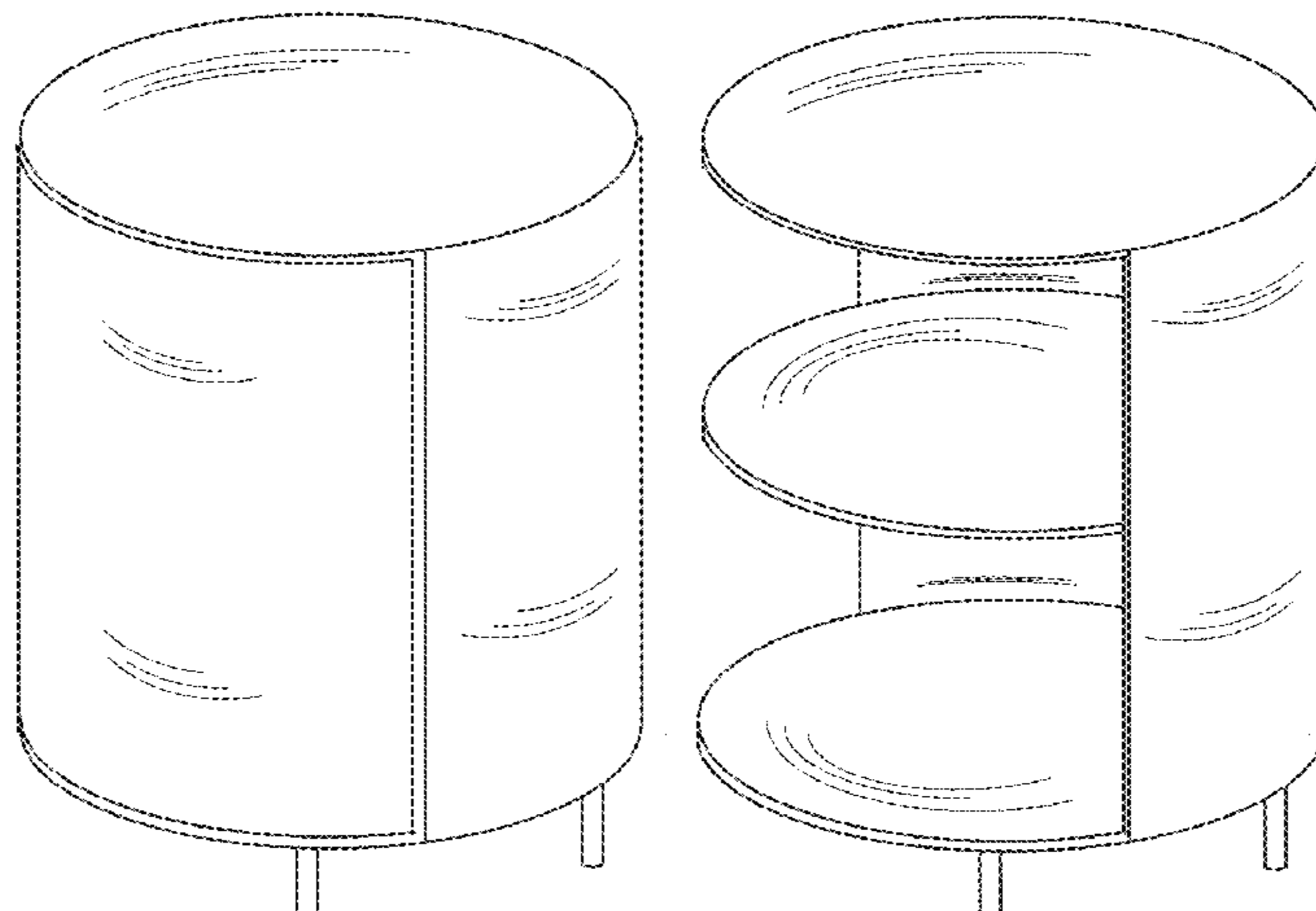


FIG. 18 is a right side view of the removable door of the second embodiment of the tortilla rack showing my new design.

FIG. 19 is a rear view the removable door of the second embodiment of the tortilla rack showing my new design.

FIG. 20 is a top the removable door of the second embodiment of the tortilla rack showing my new design.

FIG. 21 is a bottom the removable door of the second embodiment of the tortilla rack showing my new design.

FIG. 22 is a perspective view showing the front, left side and top of the a third embodiment of the tortilla rack having a pivoting door showing my new design.

FIG. 23 is a front view of the third embodiment of the tortilla rack showing my new design.

FIG. 24 is a right side view of a third embodiment of the tortilla rack showing my new design, the left side the mirror image of the right side.

FIG. 25 is a rear view of a third embodiment of the tortilla rack showing my new design.

FIG. 26 is a top view of a third embodiment of the tortilla rack showing my new design.

FIG. 27 is a bottom view of a third embodiment of the tortilla rack showing my new design.

FIG. 28 is a perspective view showing the front, left side and top of the a fourth embodiment of the tortilla rack having a sliding door and a wall showing my new design.

FIG. 29 is a front view of the fourth embodiment of the tortilla rack showing my new design.

FIG. 30 is a right side view of the fourth embodiment of the tortilla rack showing my new design, the left side the mirror image of the right side.

FIG. 31 is a rear view of the fourth embodiment of the tortilla rack showing my new design.

FIG. 32 is a top view of the fourth embodiment of the tortilla rack showing my new design.

FIG. 33 is a bottom view of the fourth embodiment of the tortilla rack showing my new design; and,

FIG. 34 is a right side view of the fourth embodiment of the tortilla rack with the sliding door open and the wall, showing my new design.

1 Claim, 6 Drawing Sheets

(58) **Field of Classification Search**

CPC A47G 19/30; A47J 47/30; B65D 24/06;
B65D 25/006; B65D 43/18; A47B 73/00

See application file for complete search history.

(56) **References Cited**

U.S. PATENT DOCUMENTS

5,598,932 A * 2/1997 Weidert A47F 3/0486
211/41.1
5,660,284 A * 8/1997 Vaughn A47F 7/0064
211/175
5,669,494 A * 9/1997 Geffen G11B 33/045
206/309
D670,541 S * 11/2012 Trahan D7/504

* cited by examiner

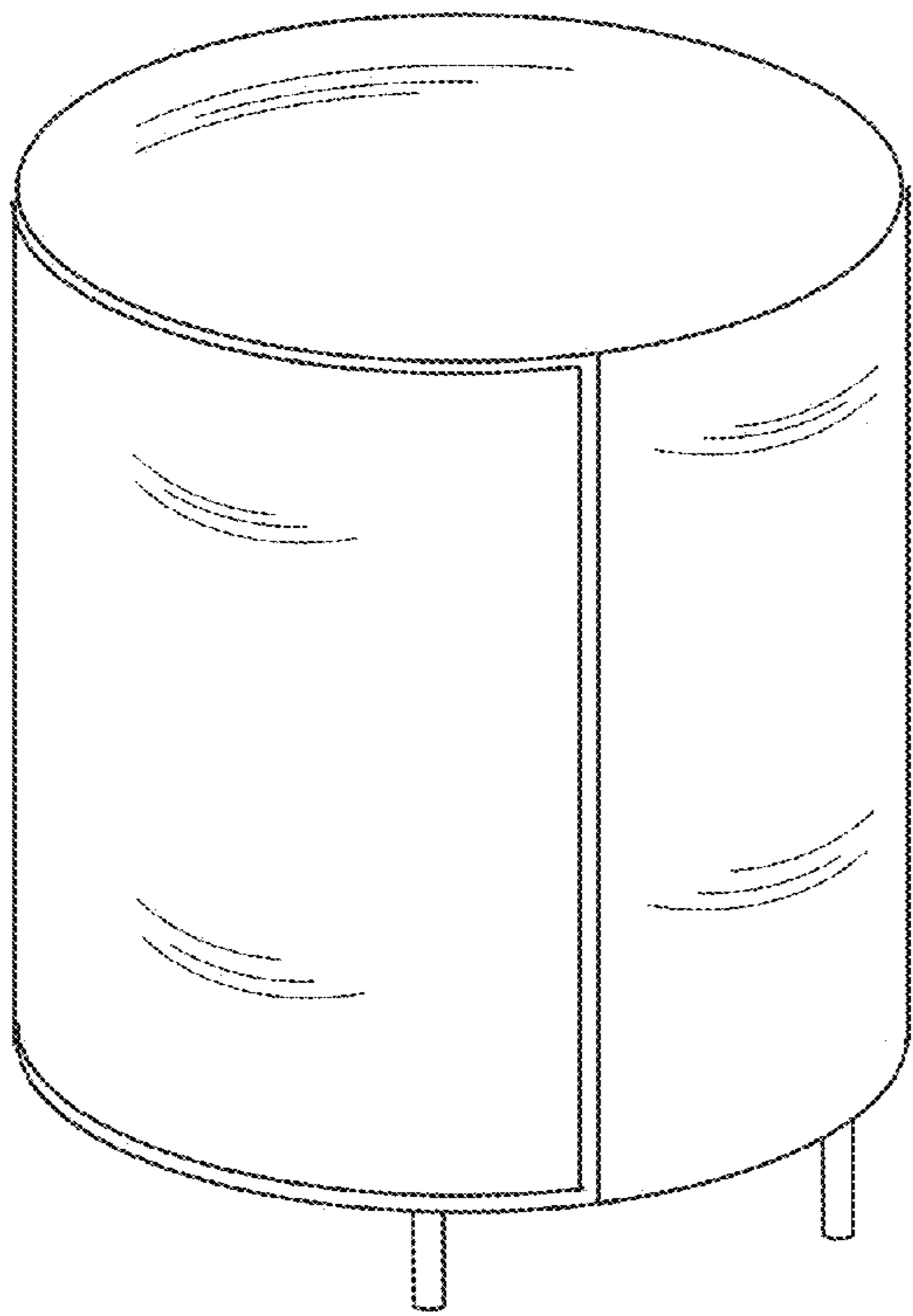


FIG. 1

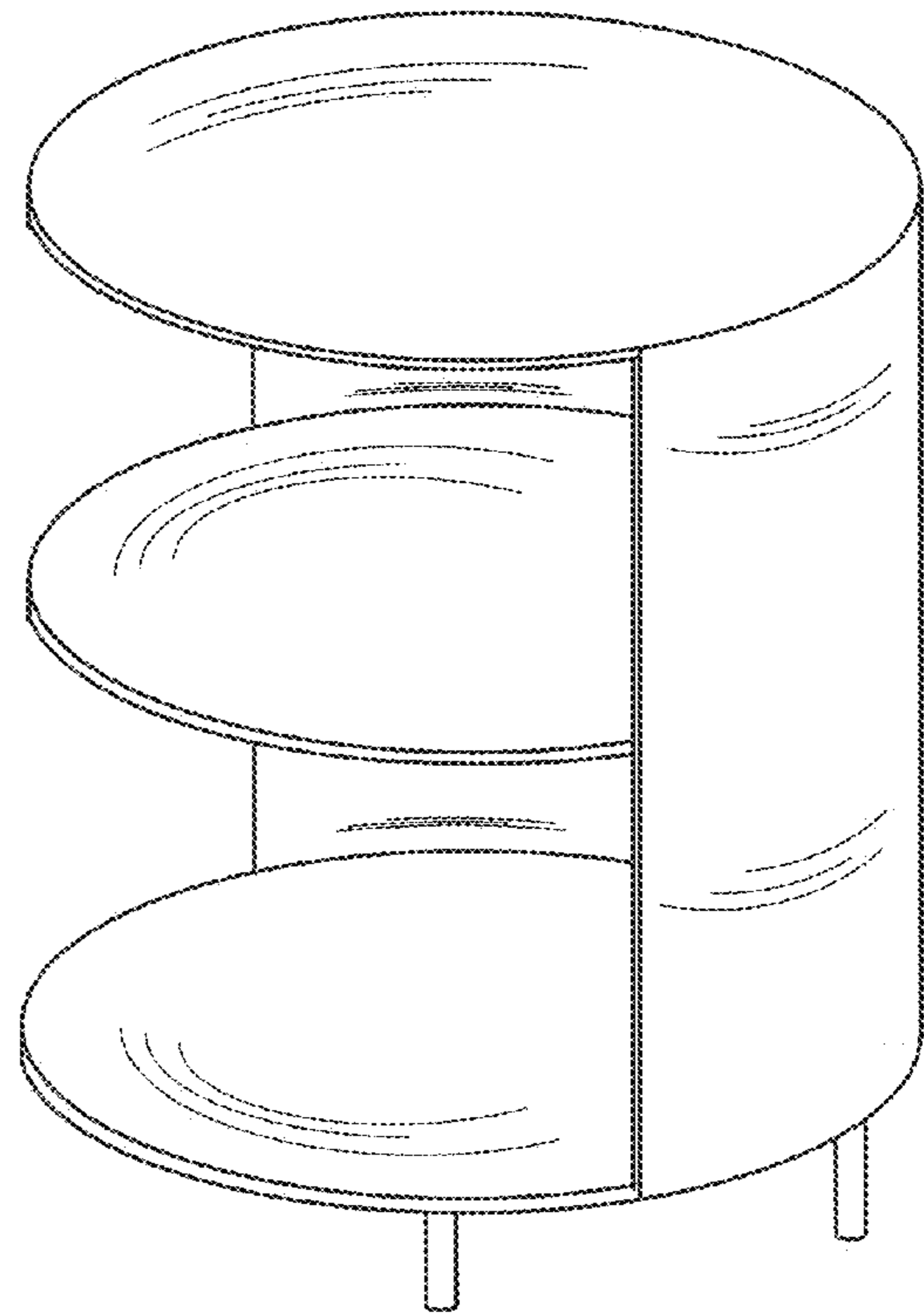


FIG. 2

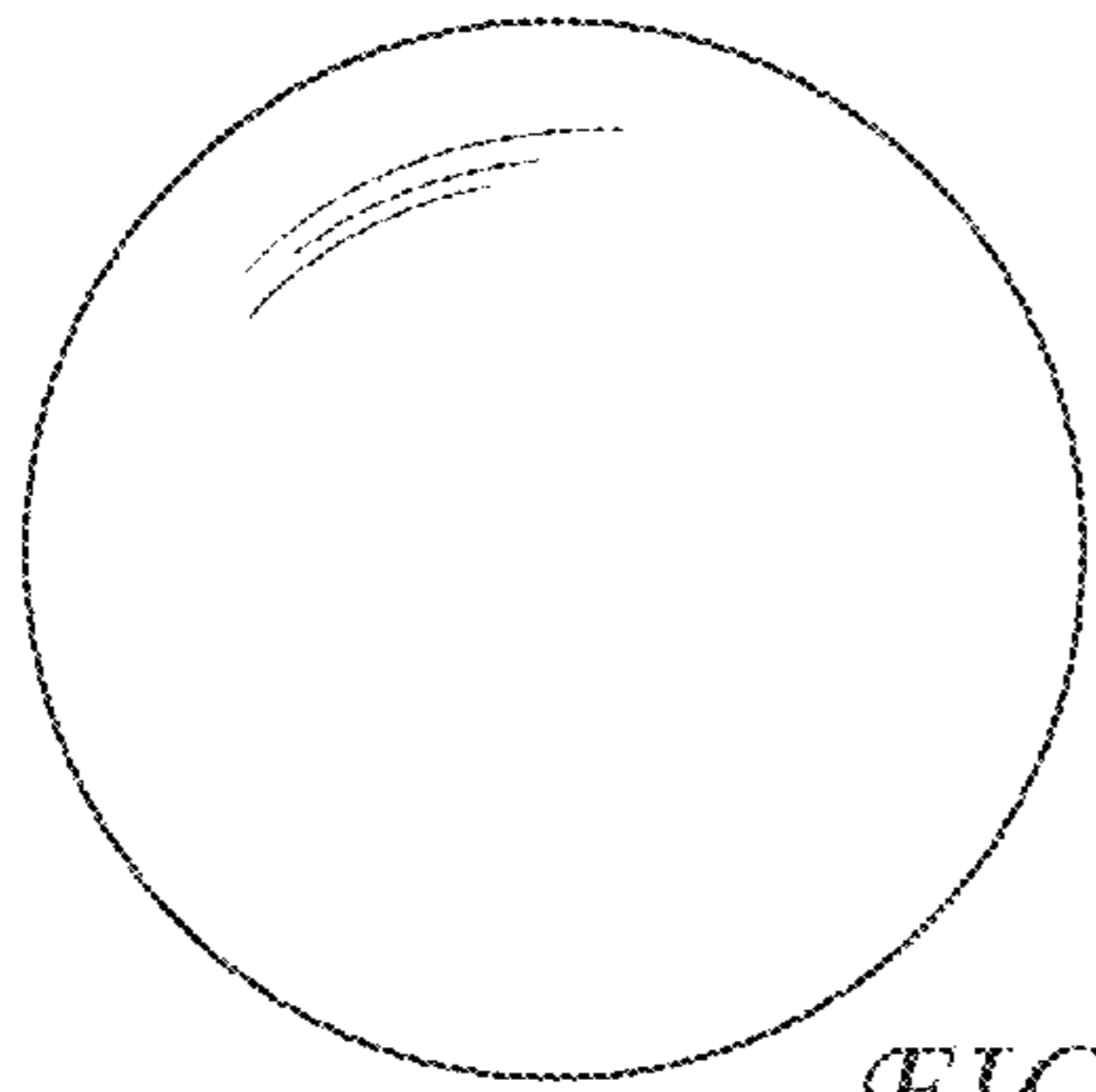


FIG. 7

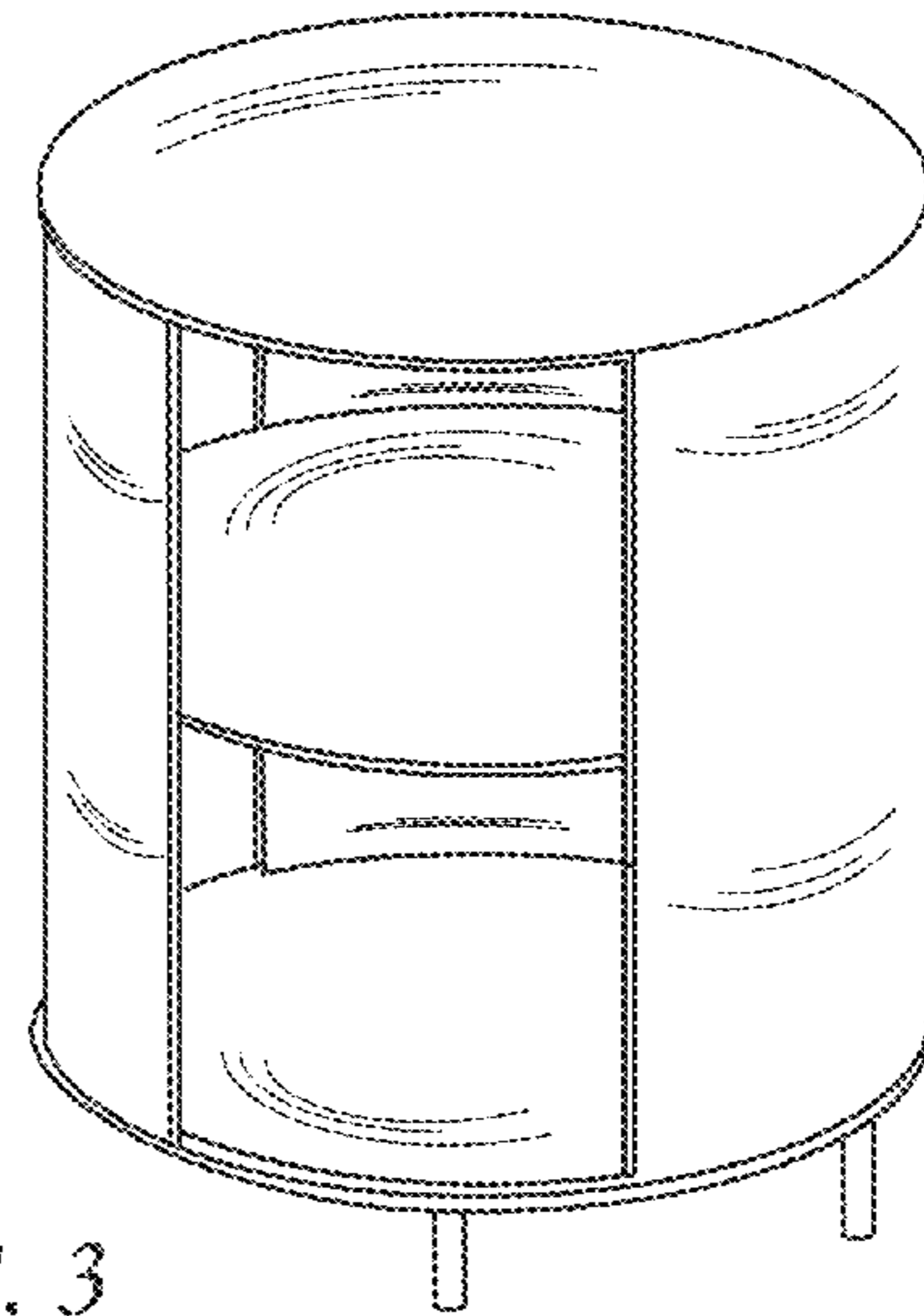


FIG. 3

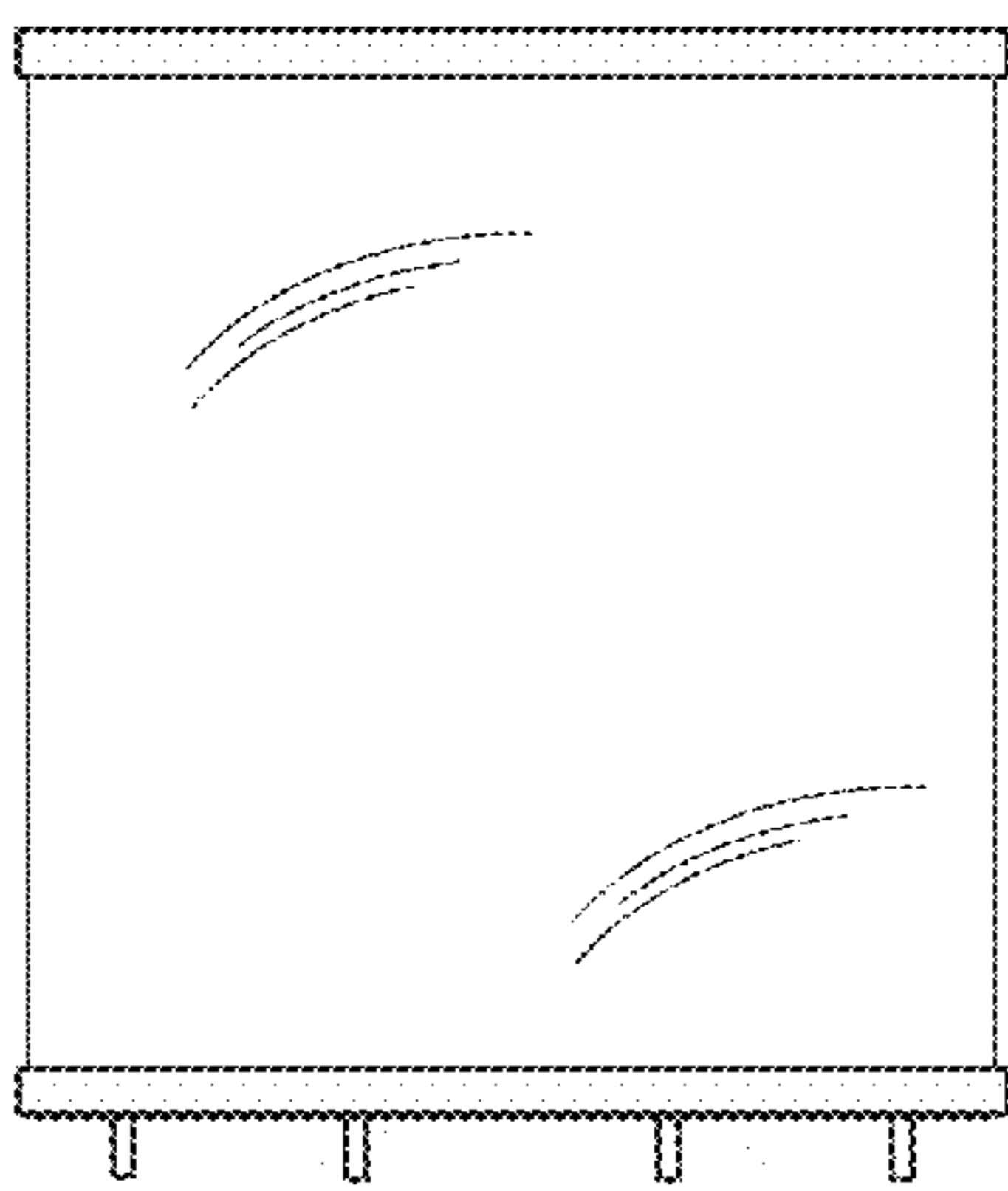


FIG. 4

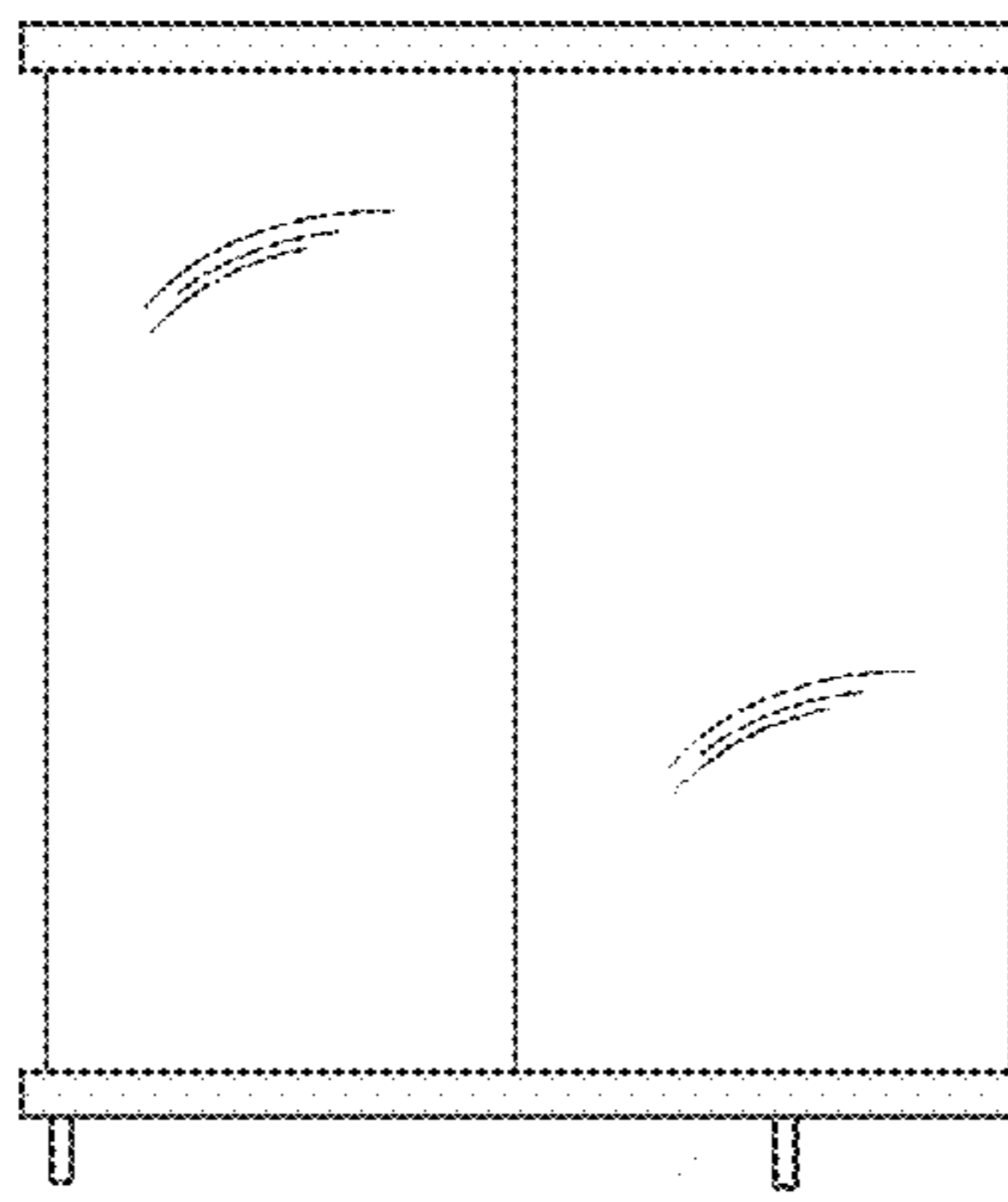


FIG. 5

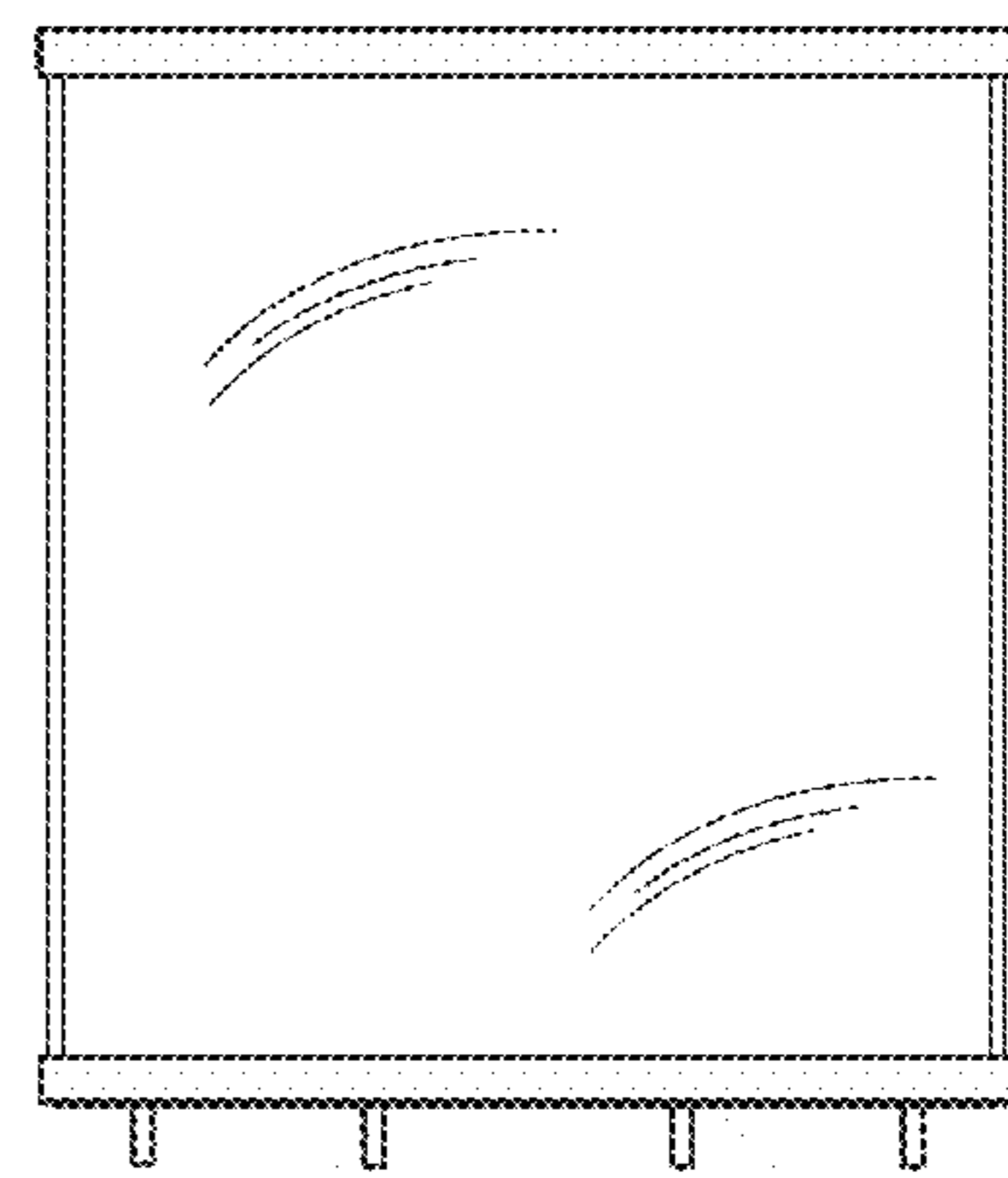


FIG. 6

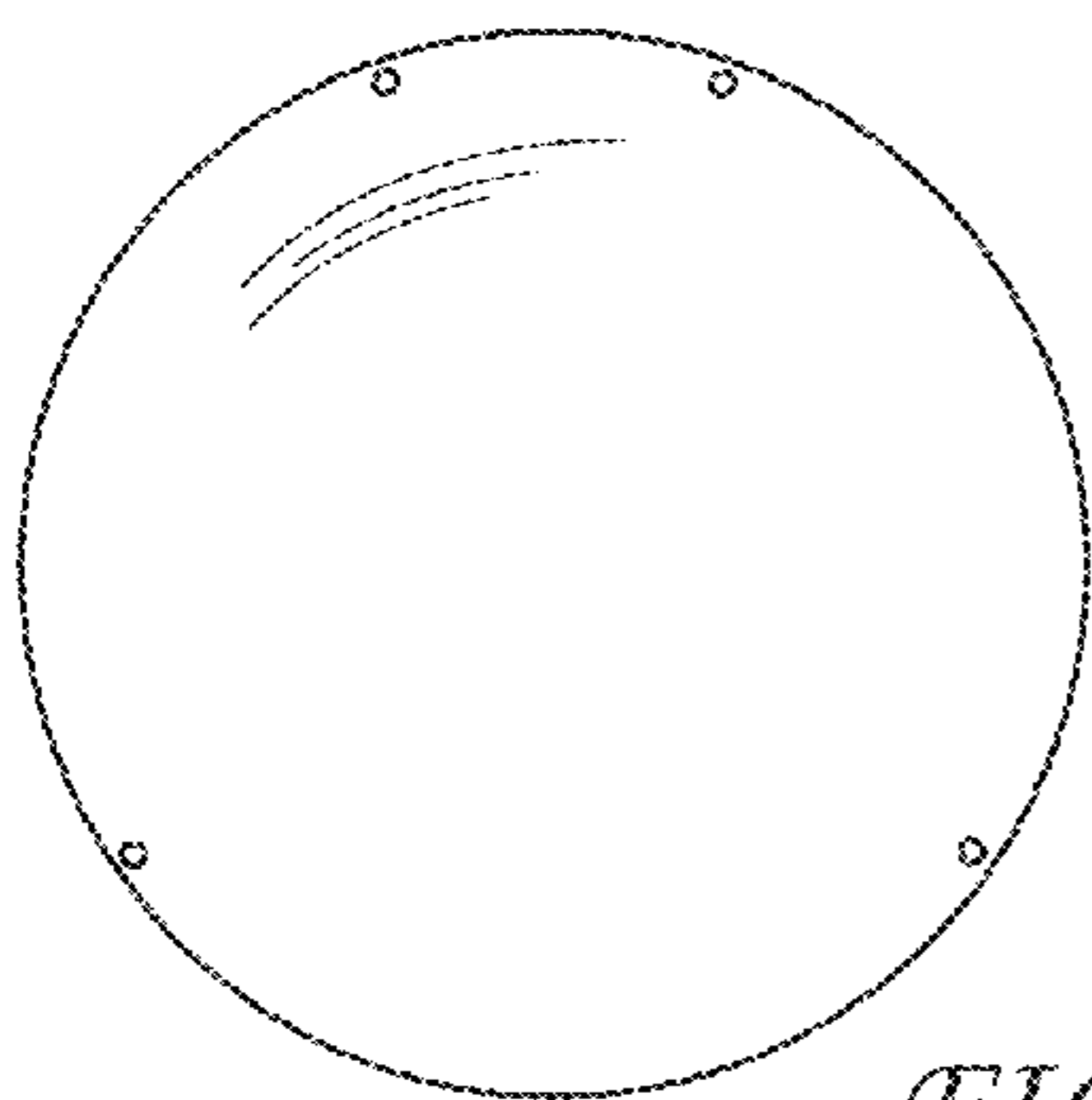


FIG. 8

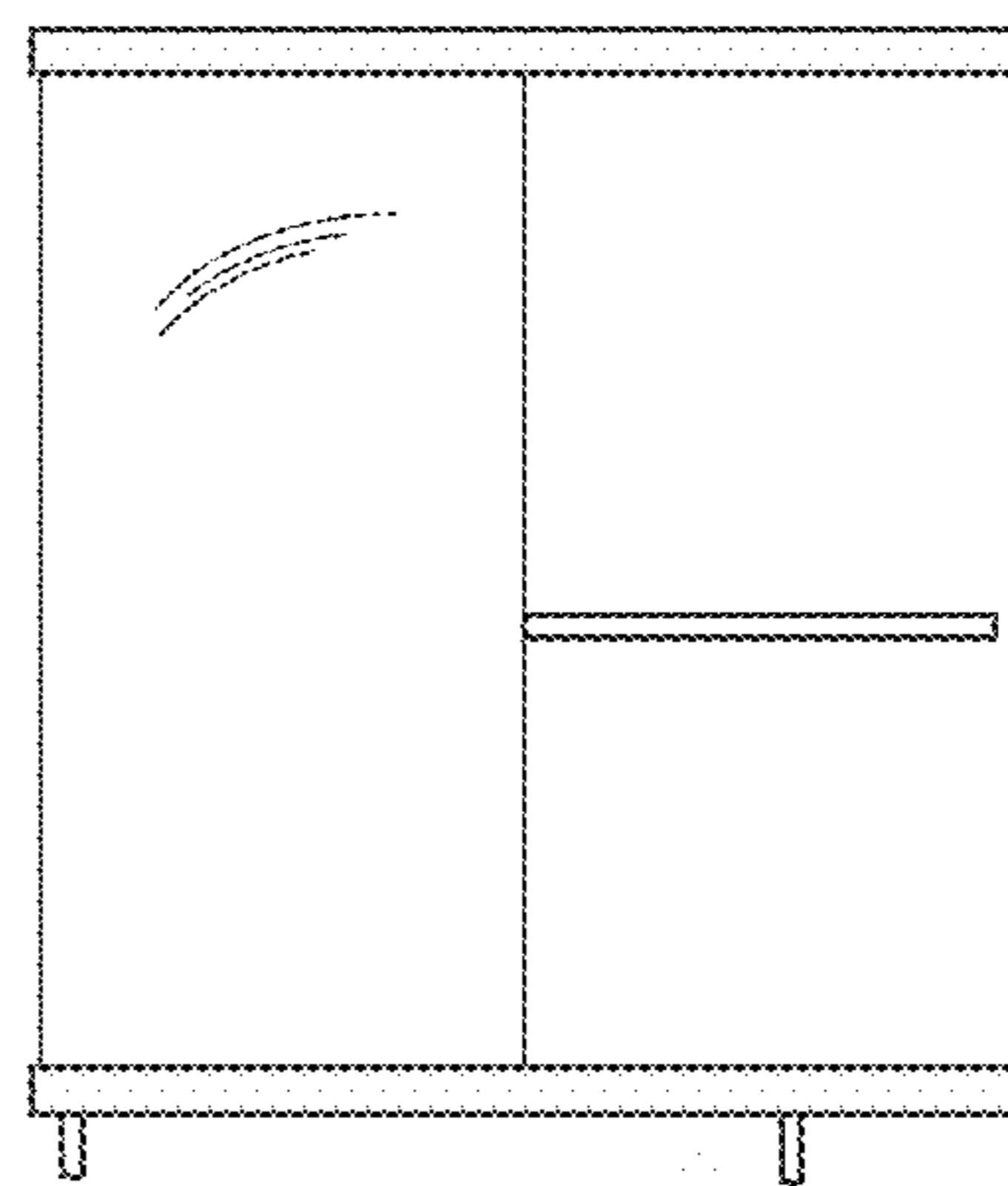


FIG. 9

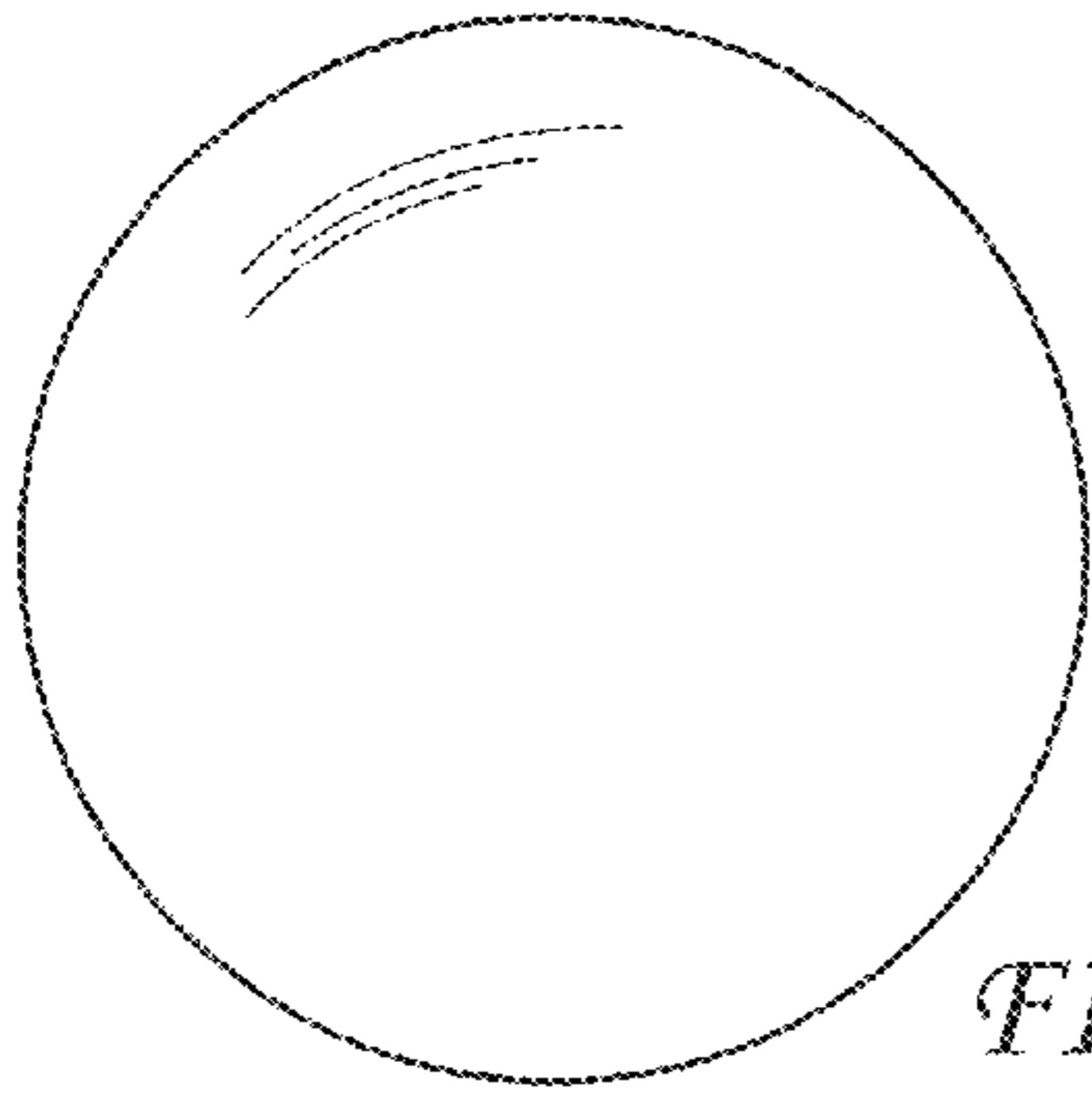


FIG. 13

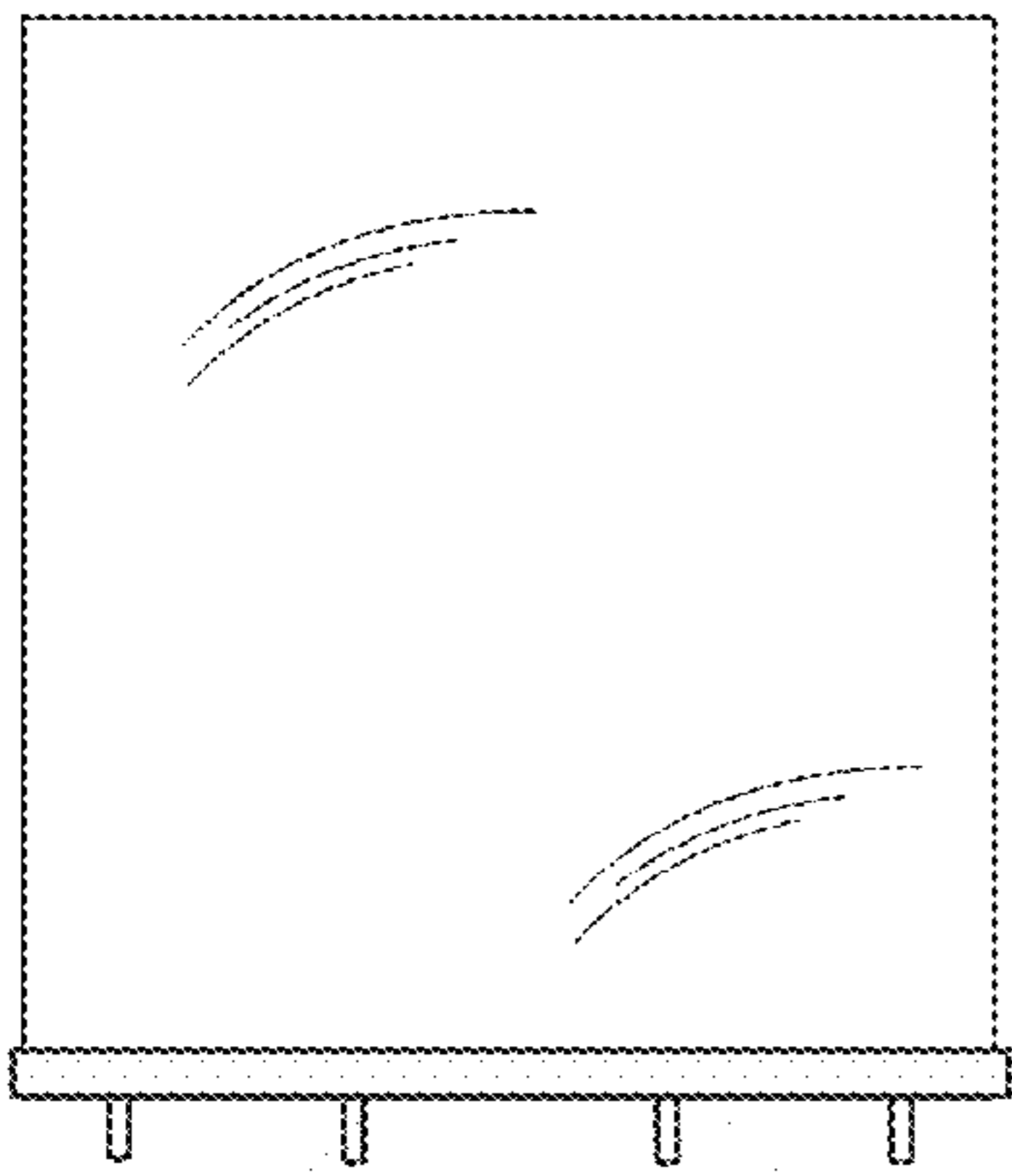


FIG. 10

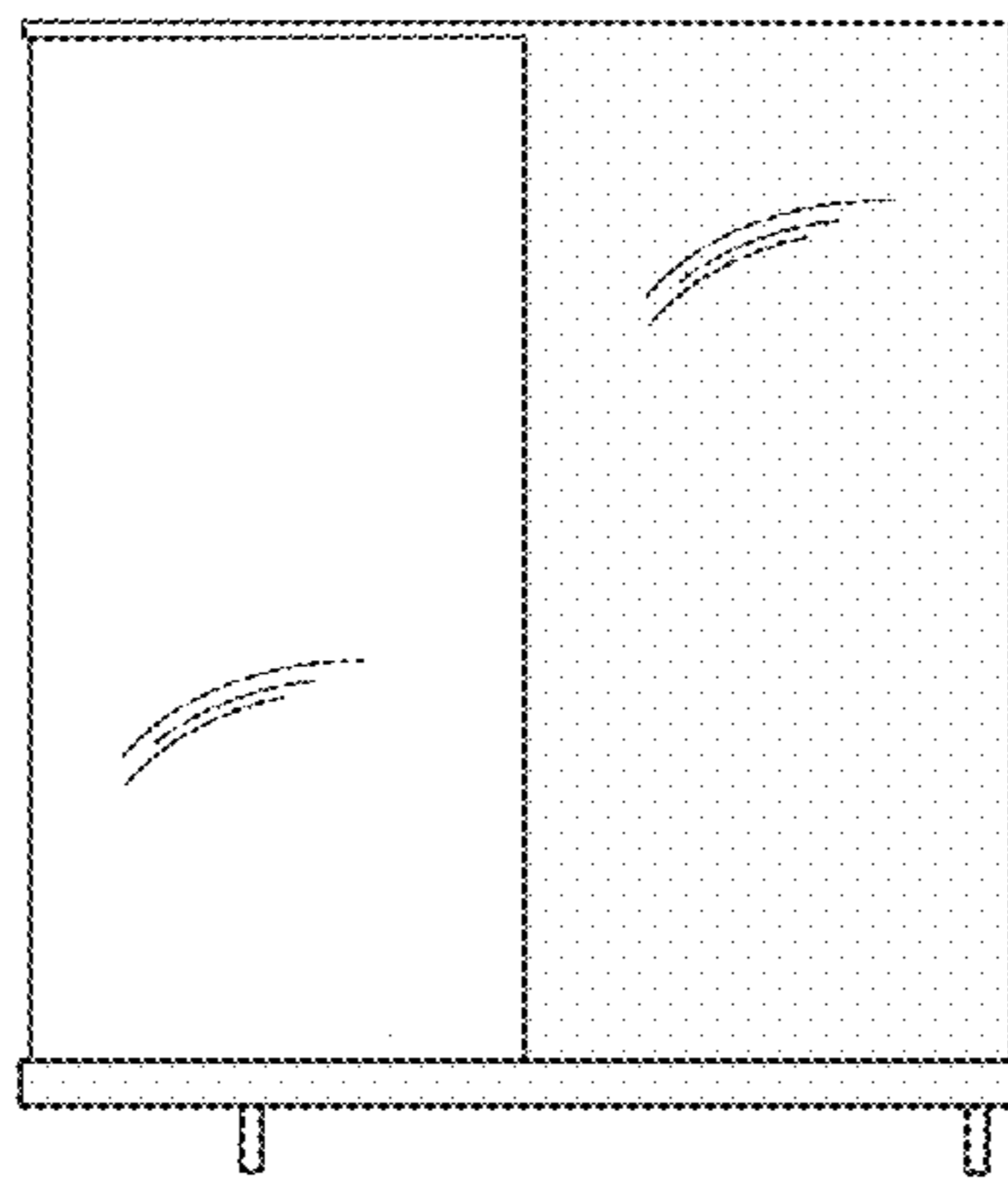


FIG. 11

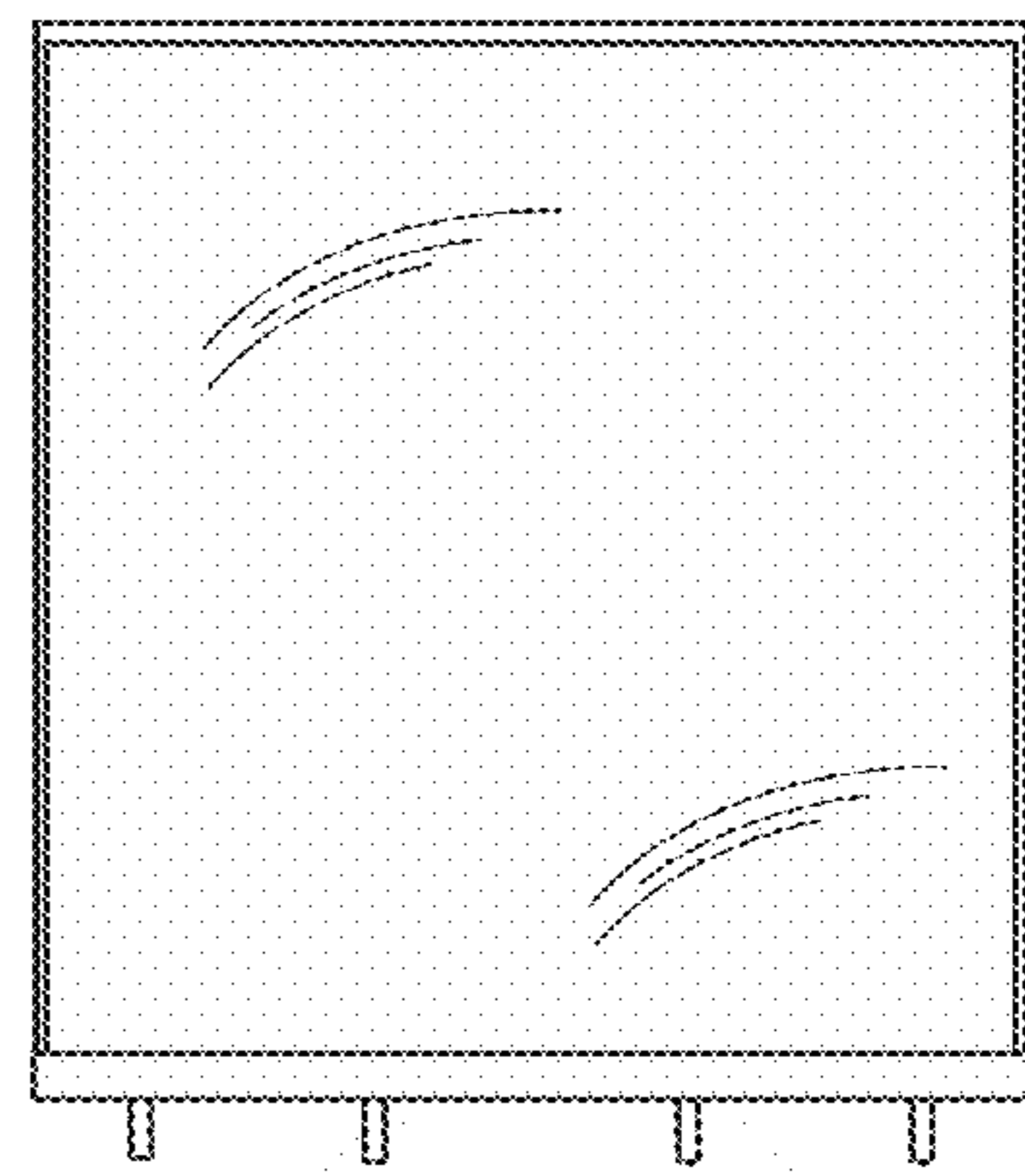


FIG. 12

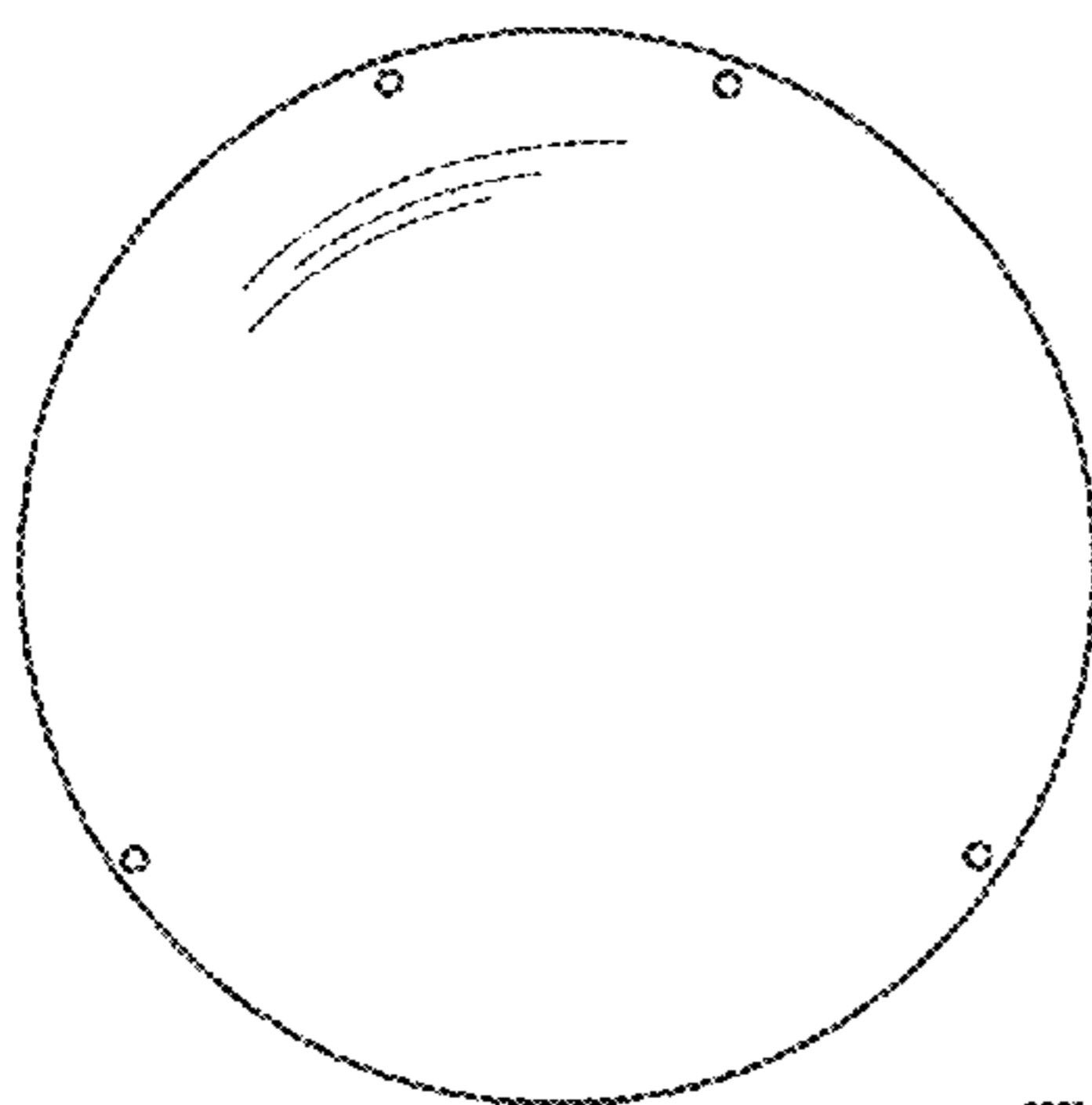


FIG. 14

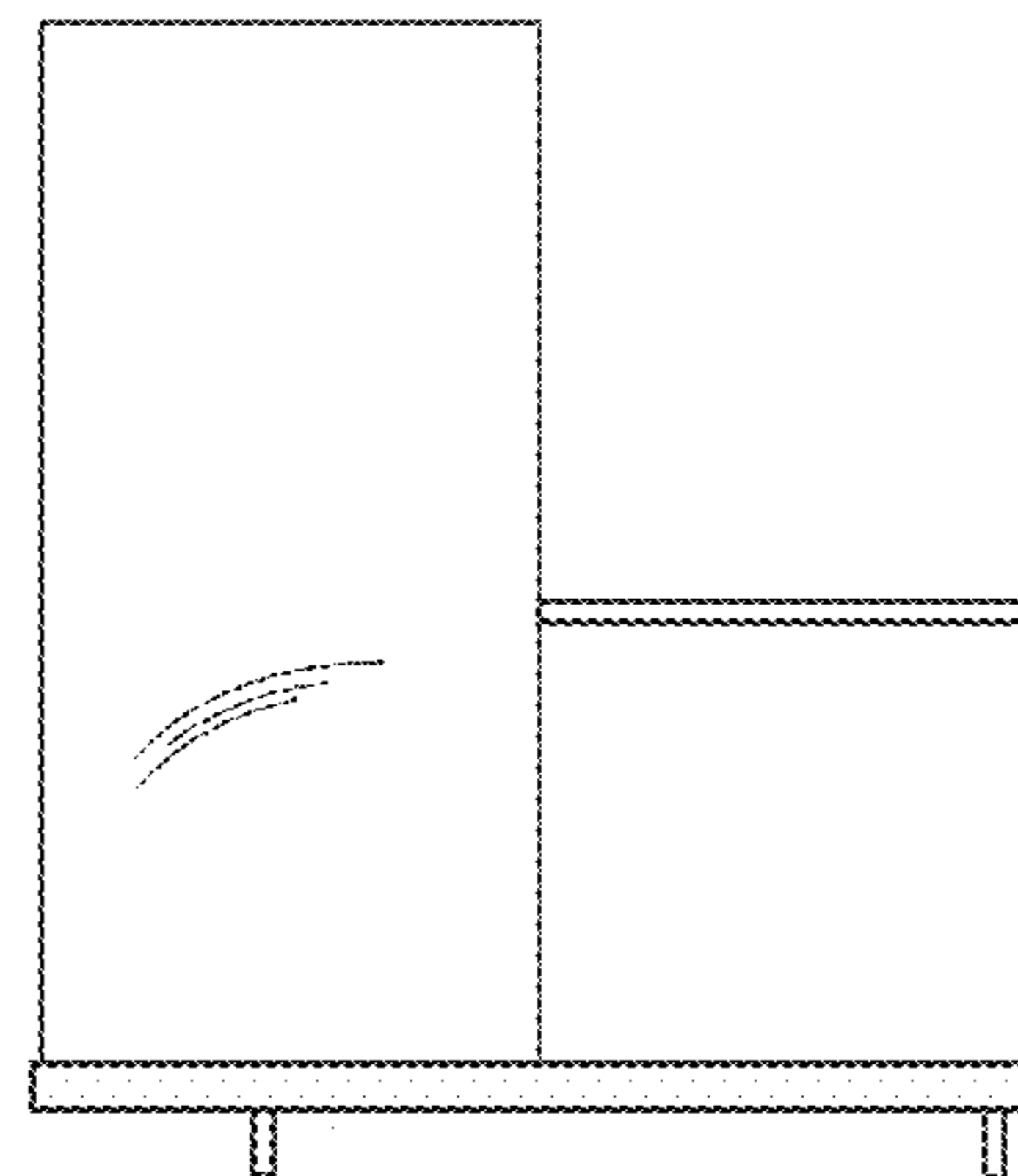


FIG. 15

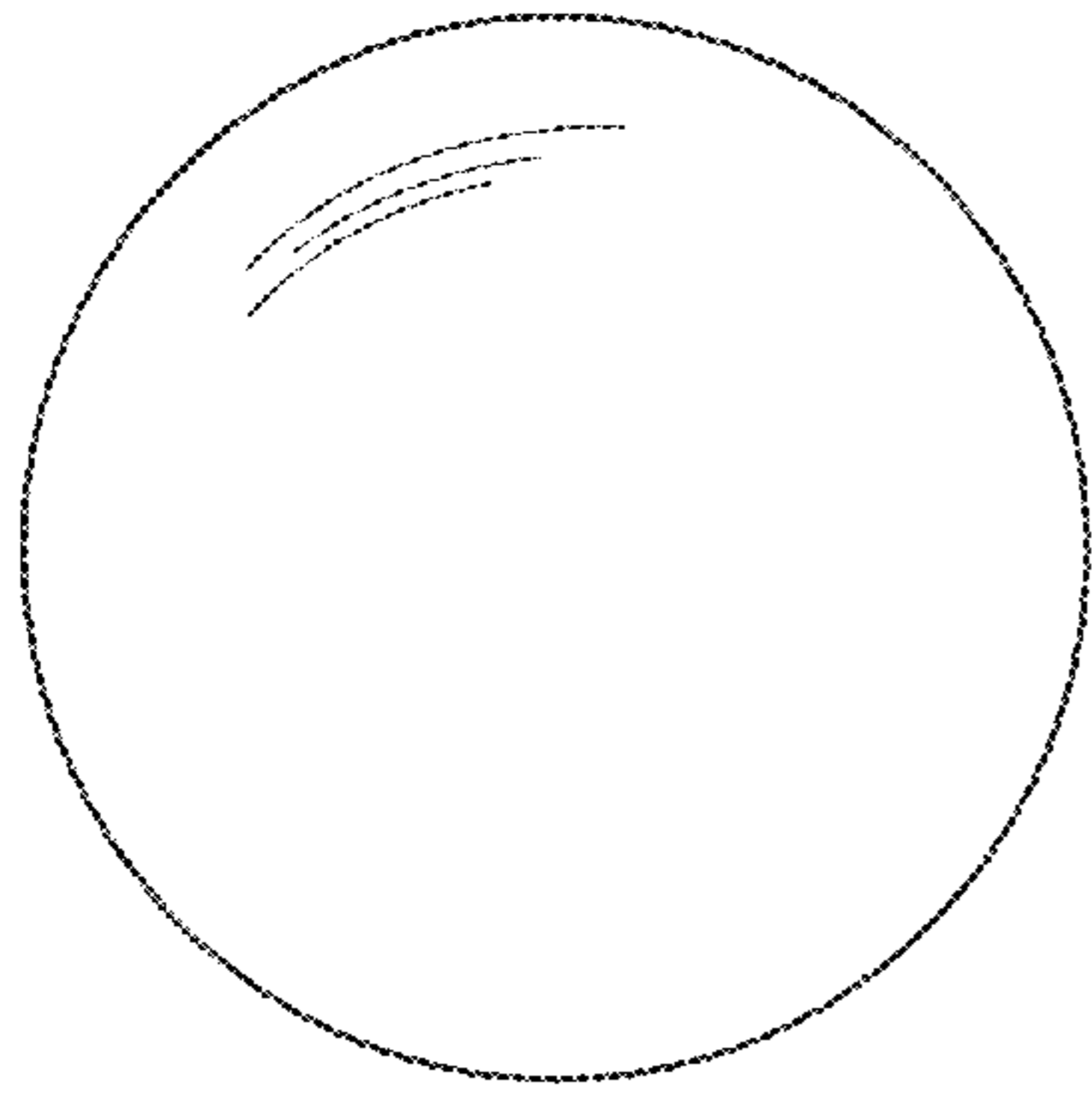


FIG. 20

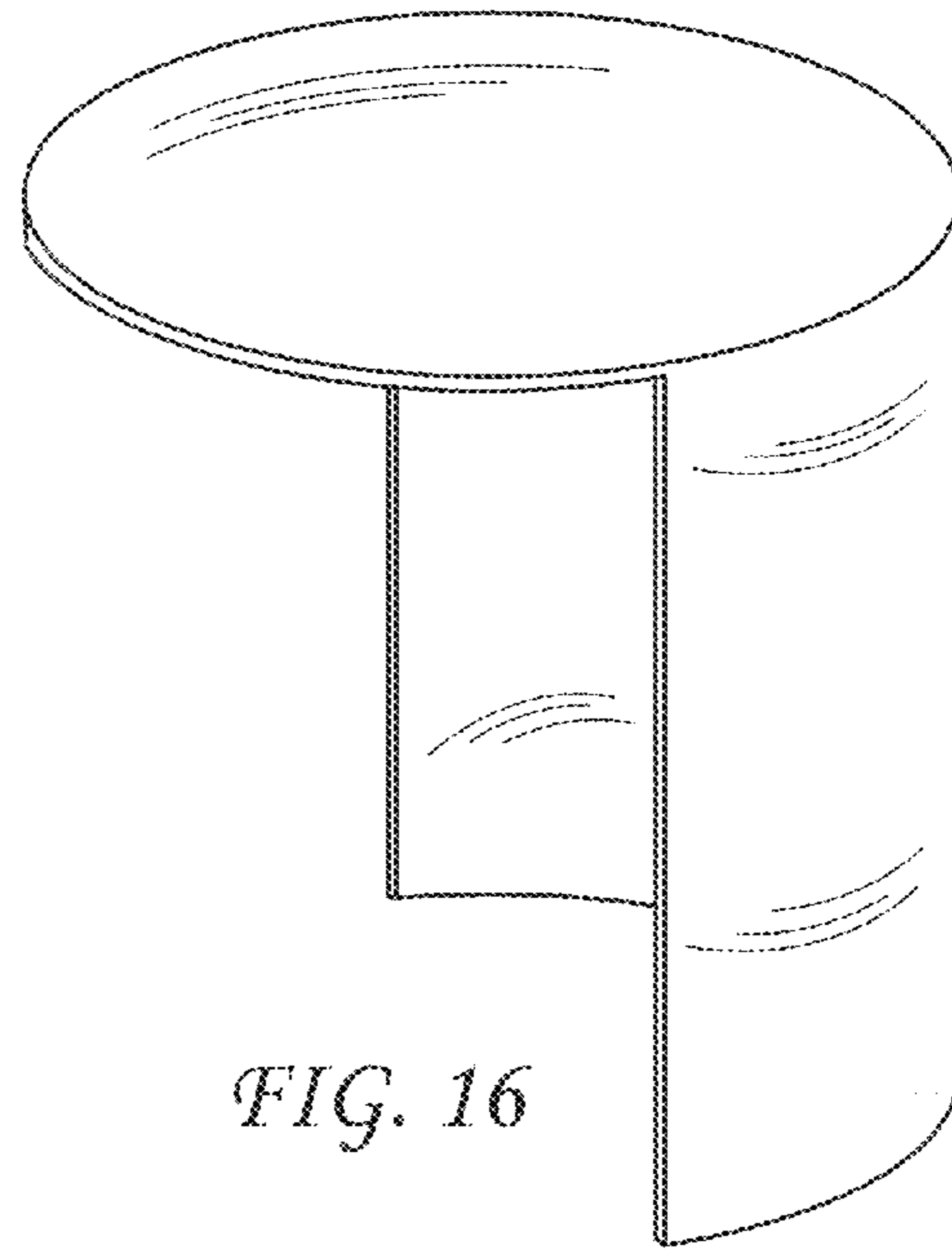


FIG. 16

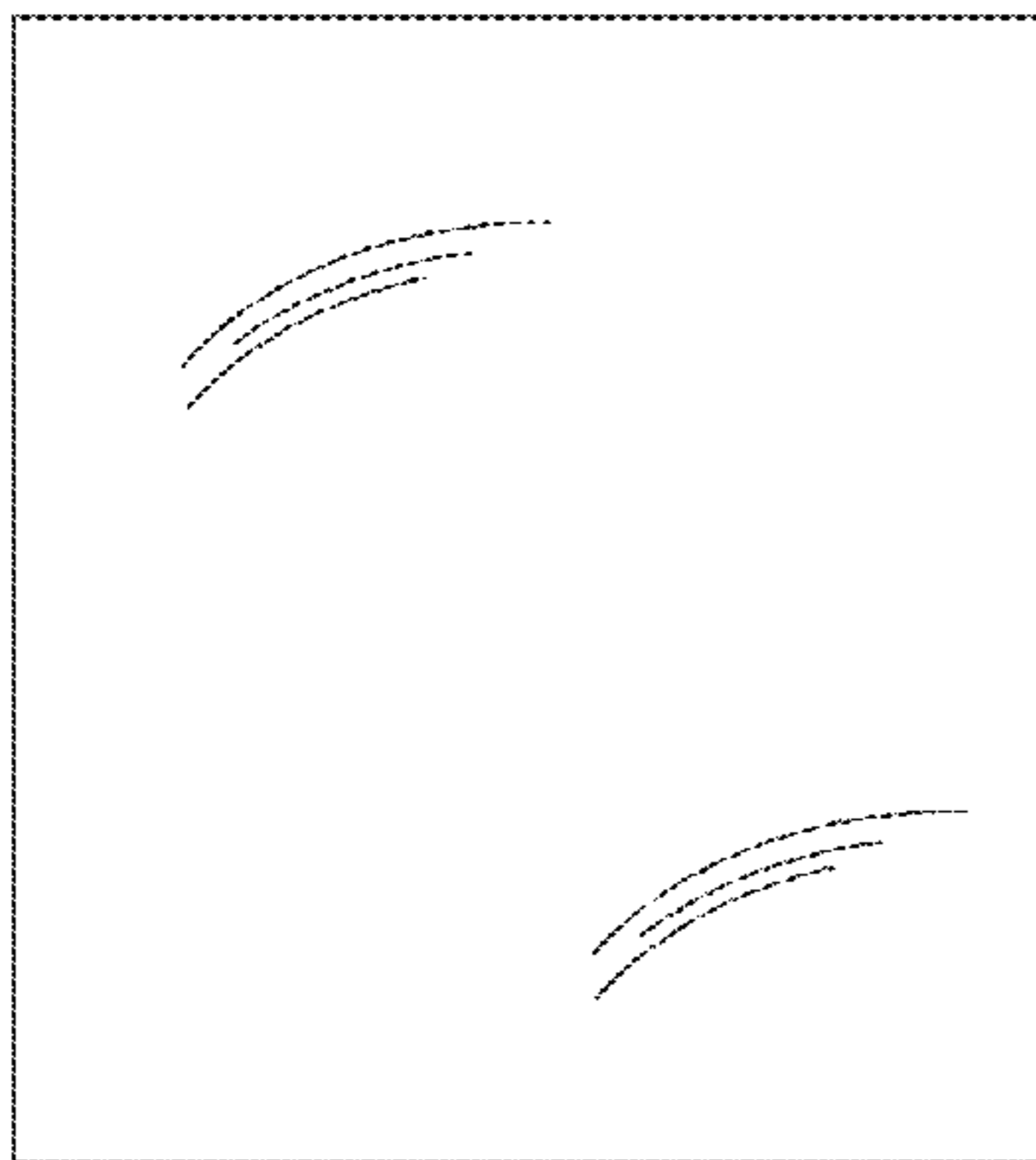


FIG. 17

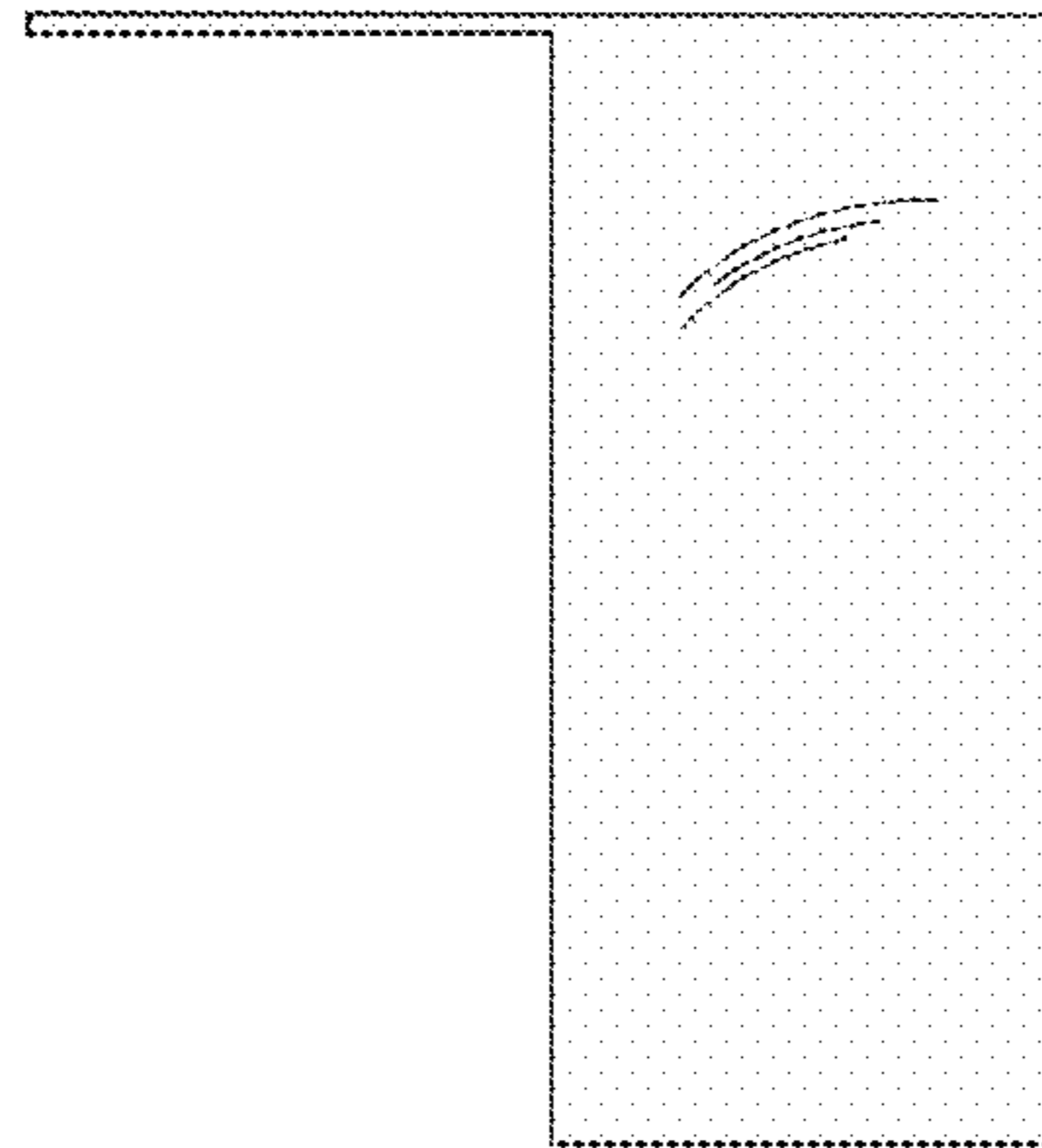


FIG. 18

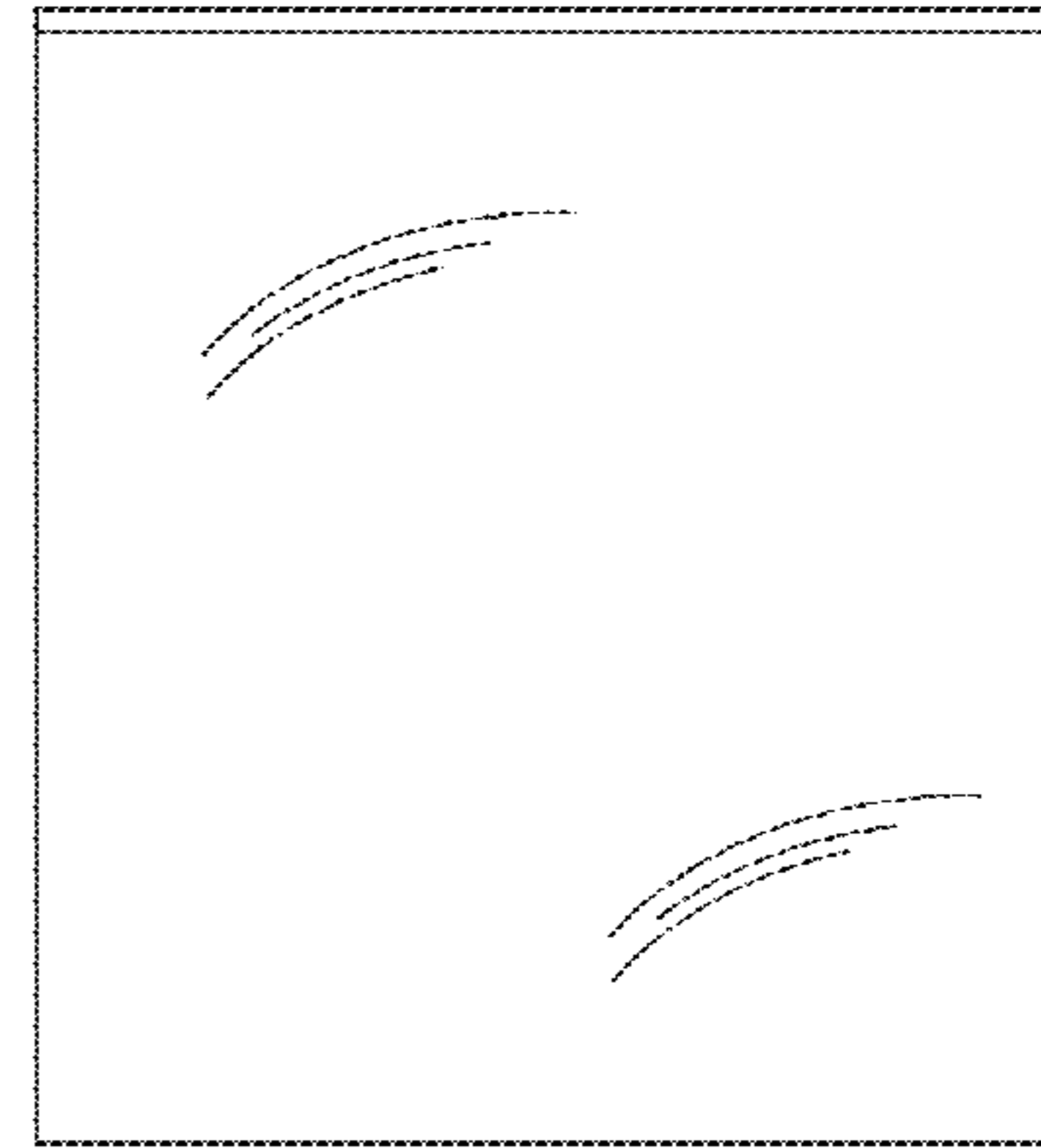


FIG. 19

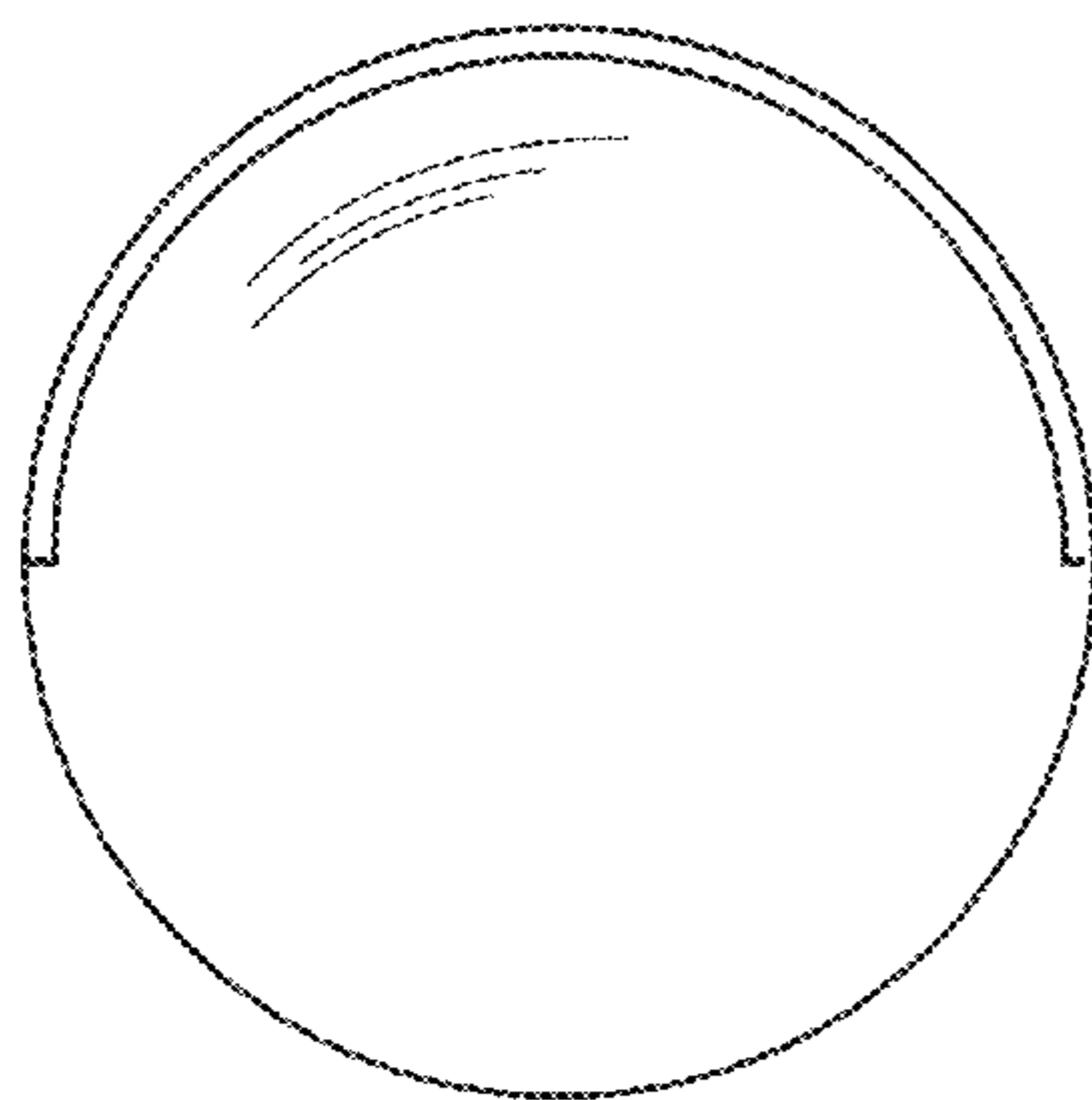


FIG. 21

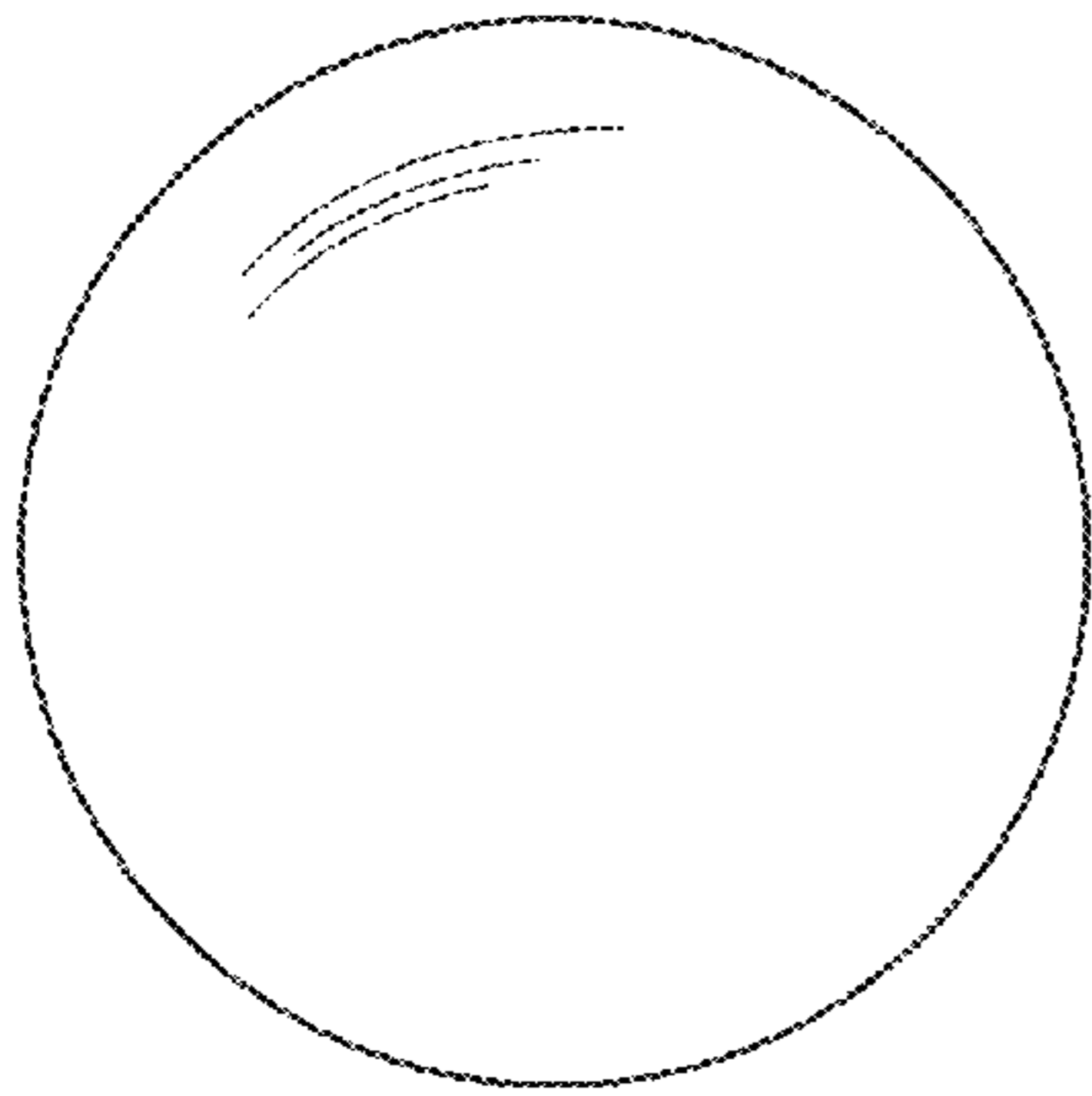


FIG. 26

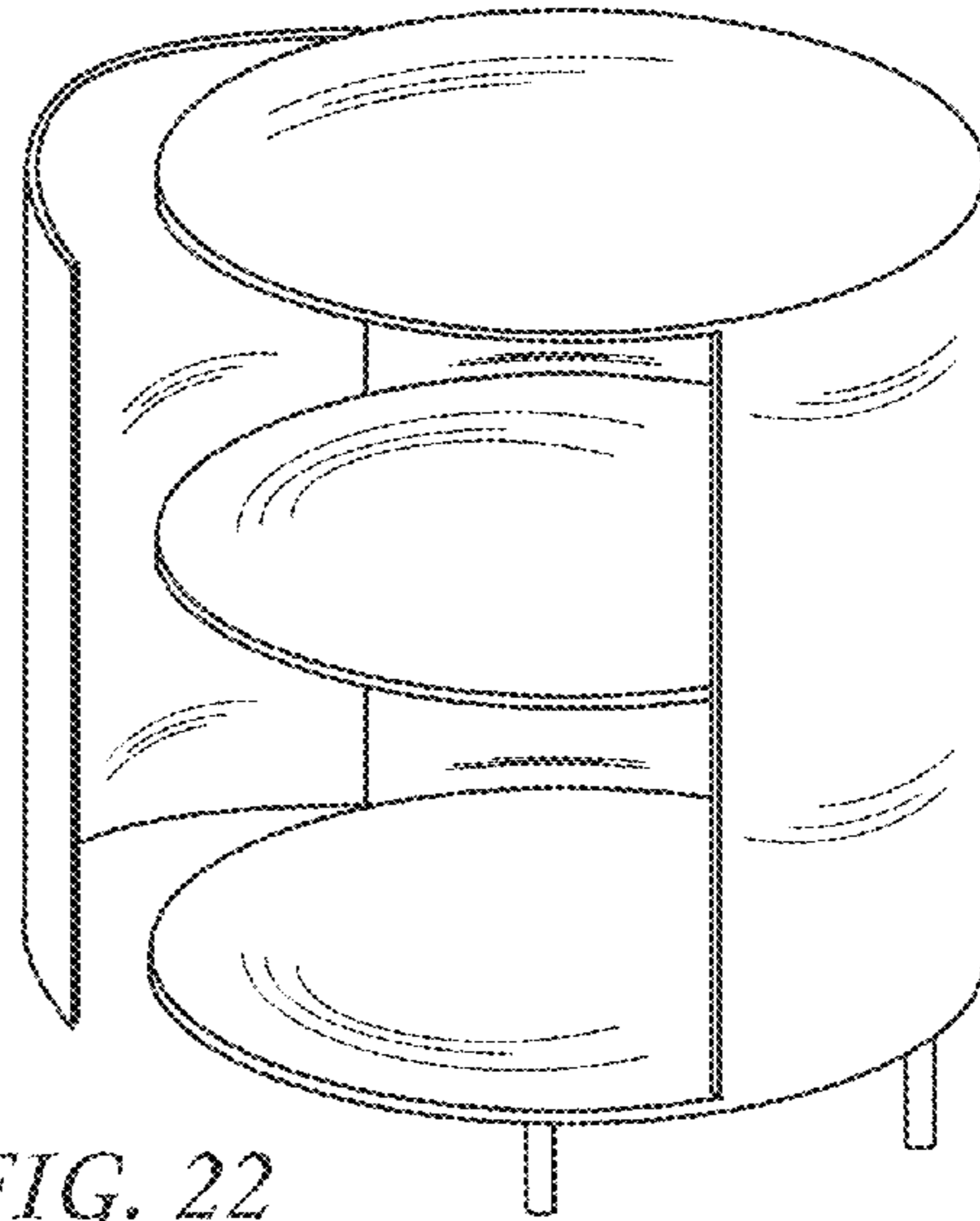


FIG. 22

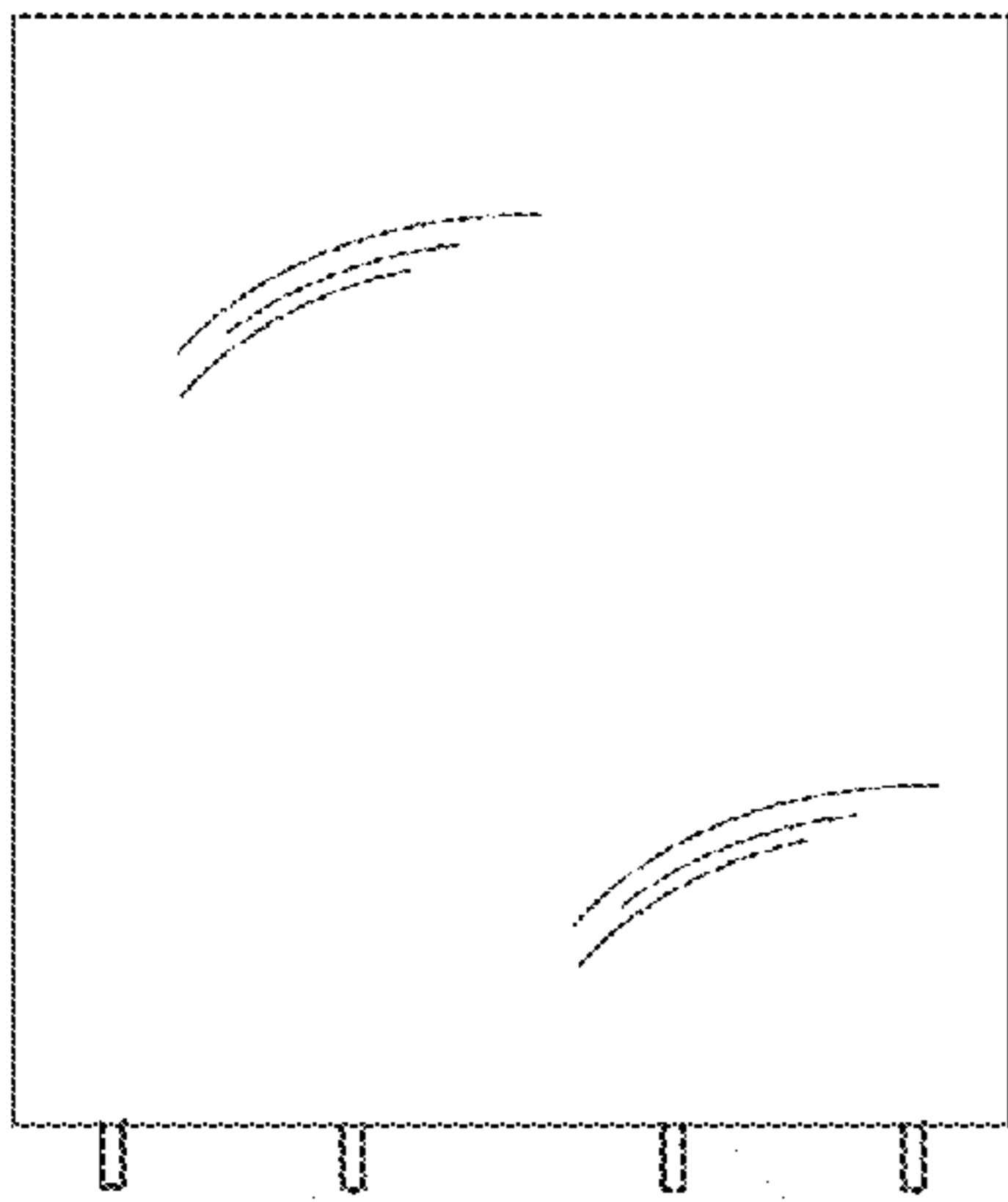


FIG. 23

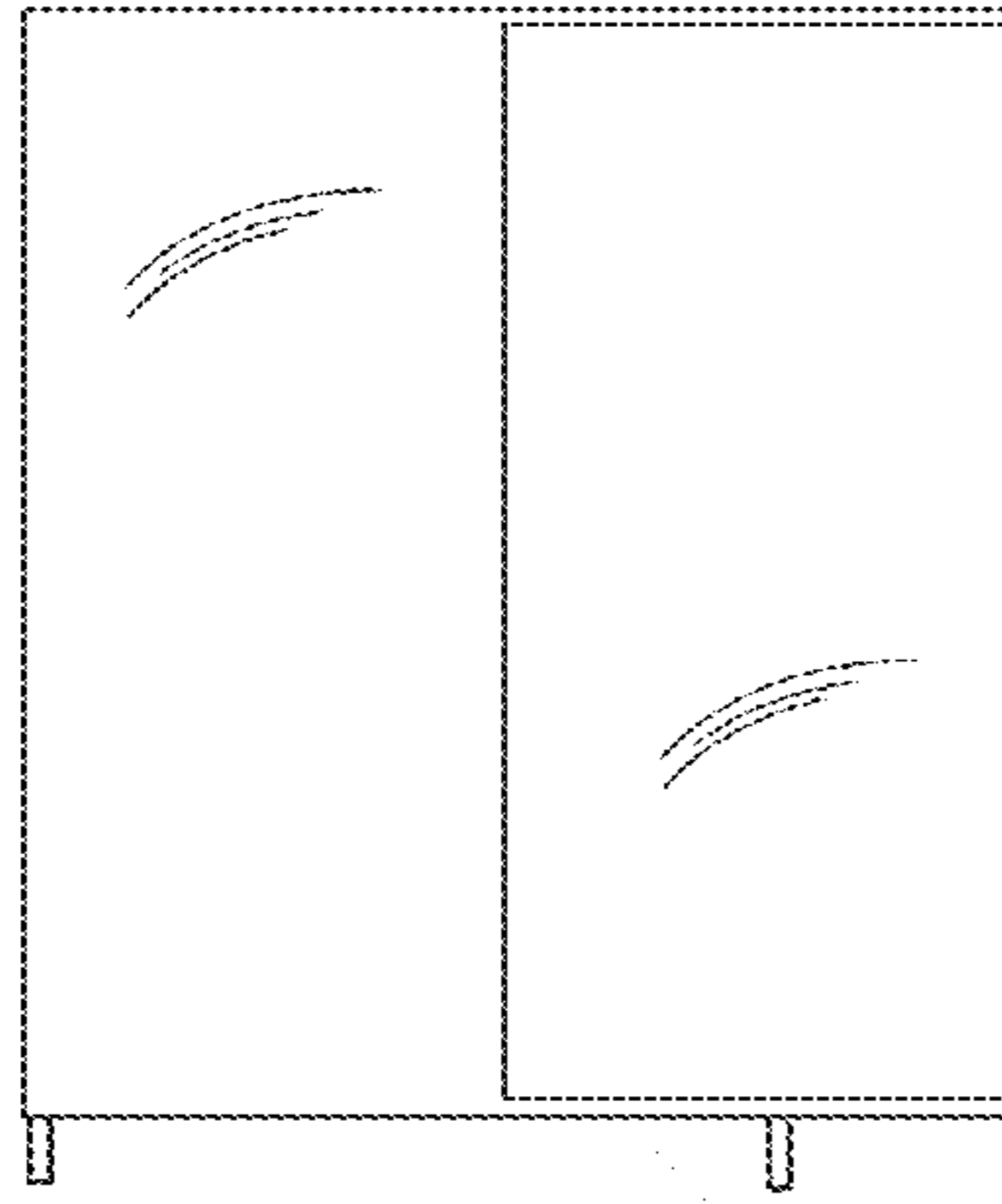


FIG. 24

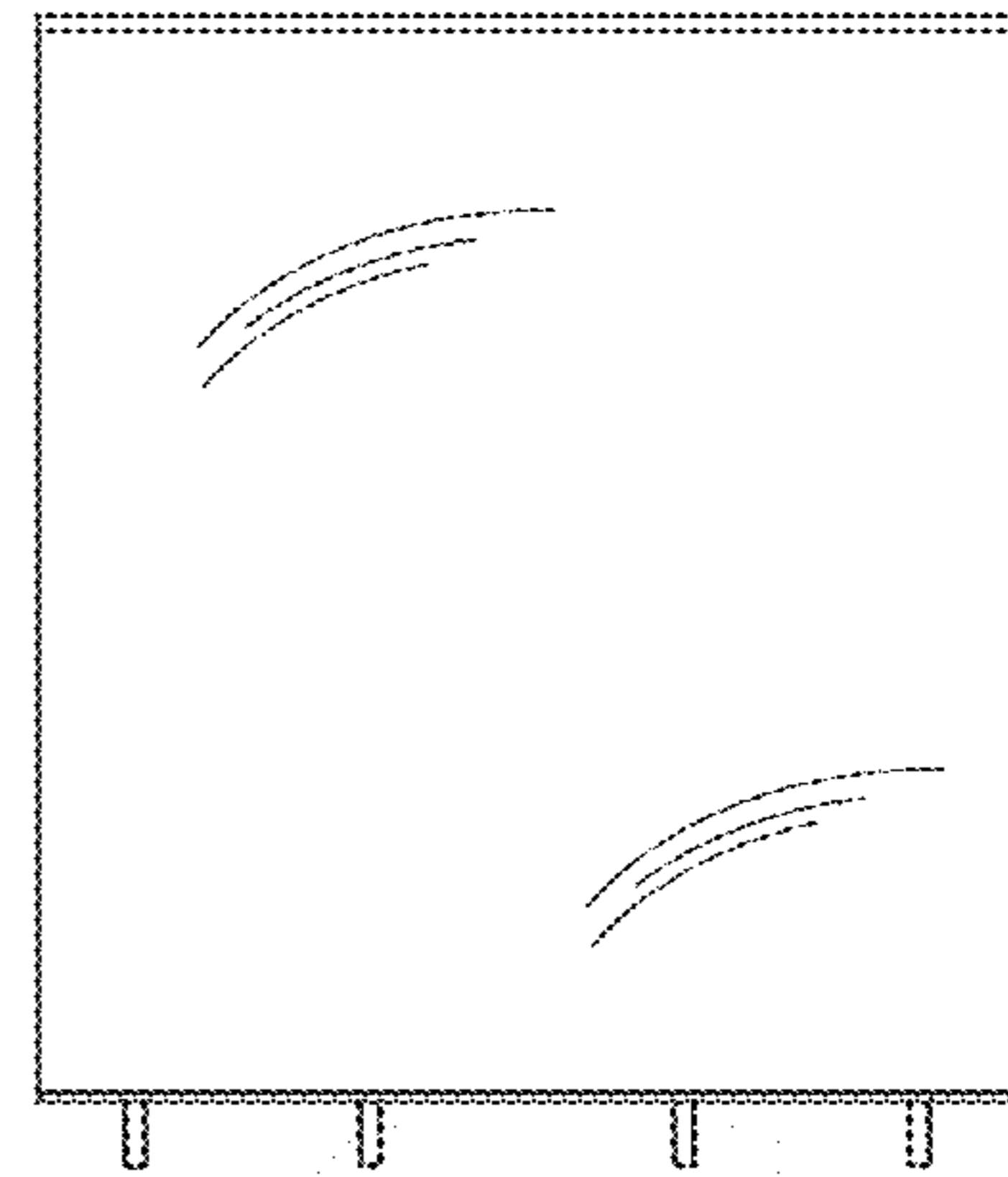


FIG. 25

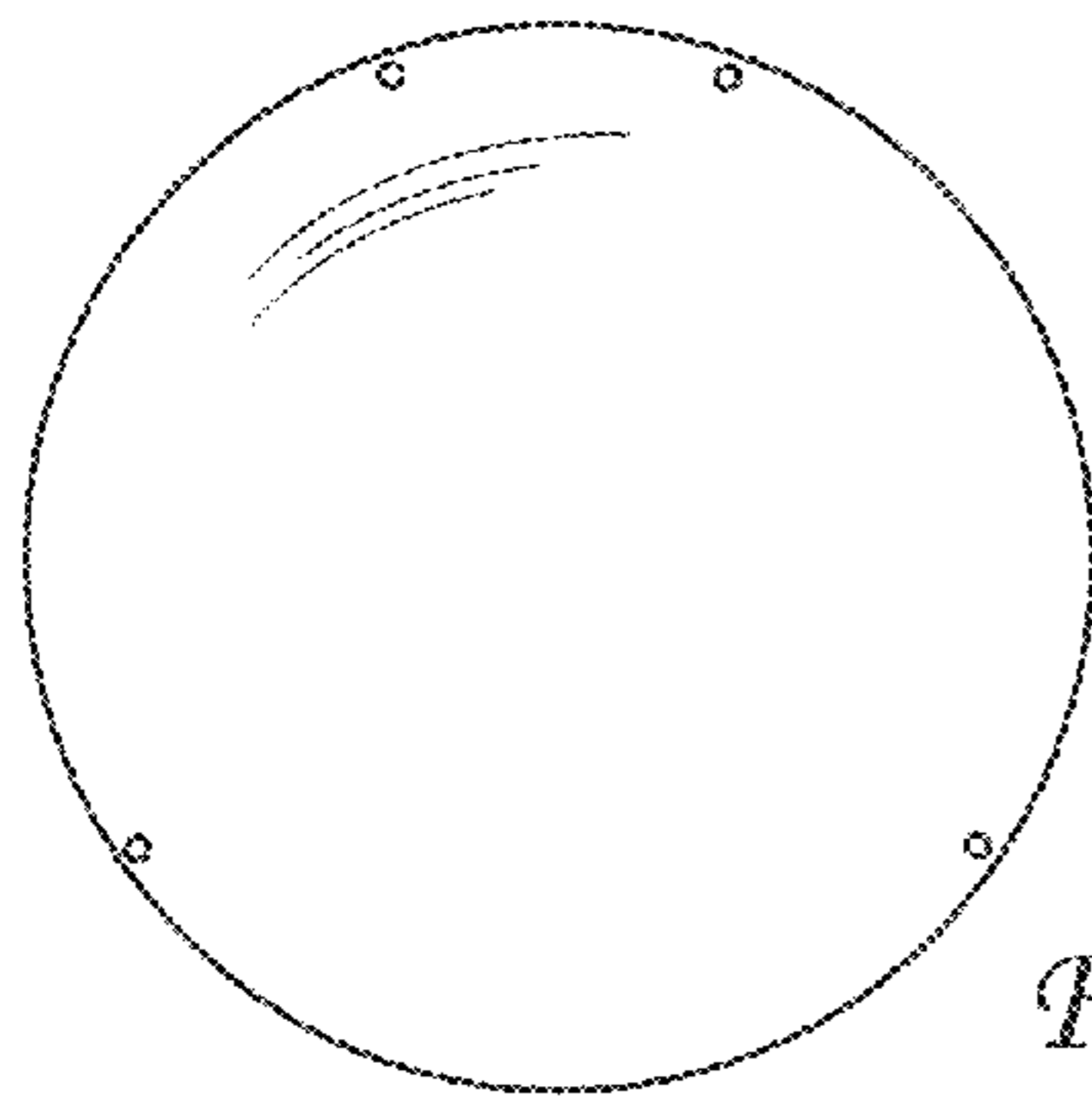


FIG. 27

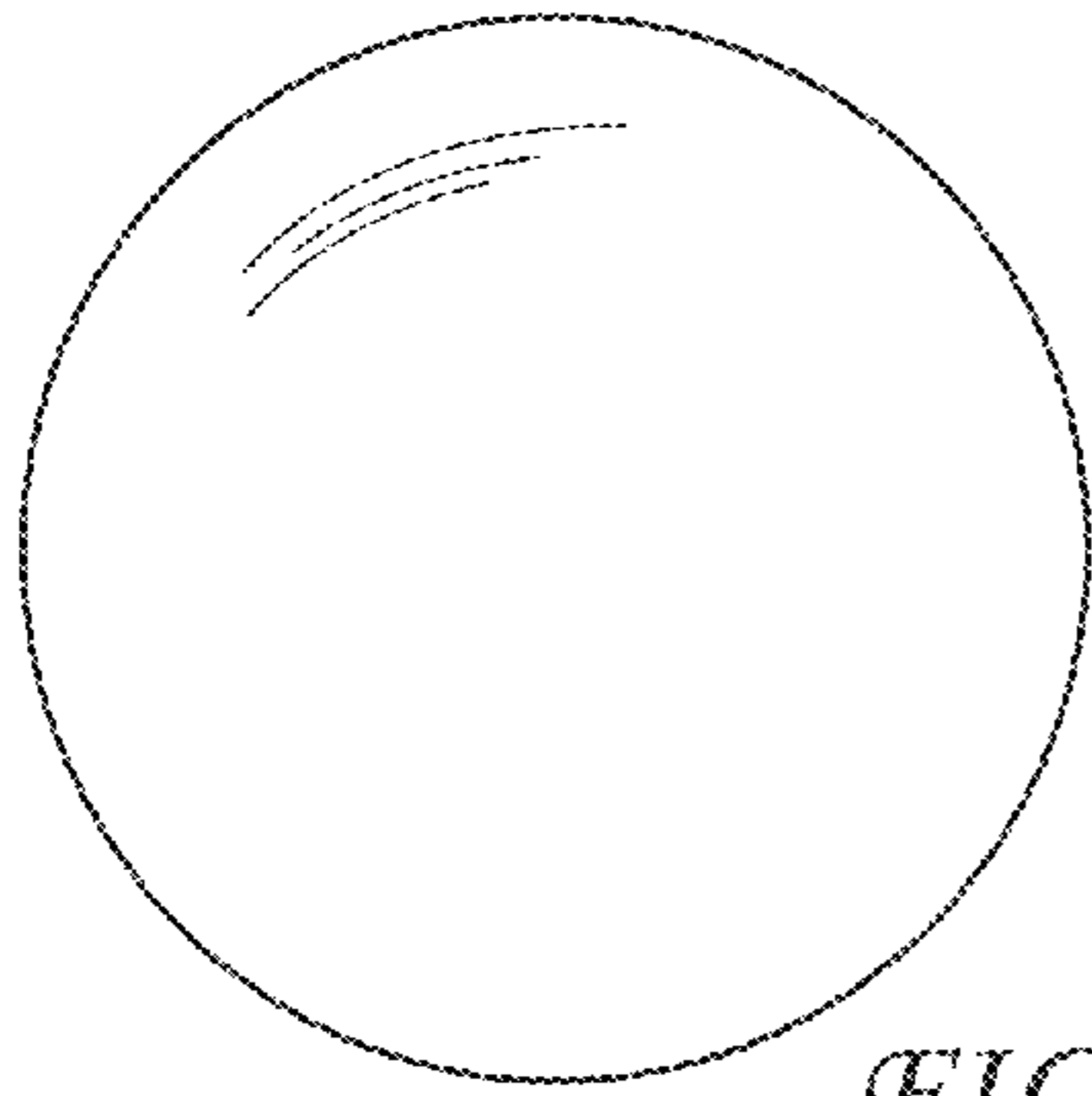


FIG. 33

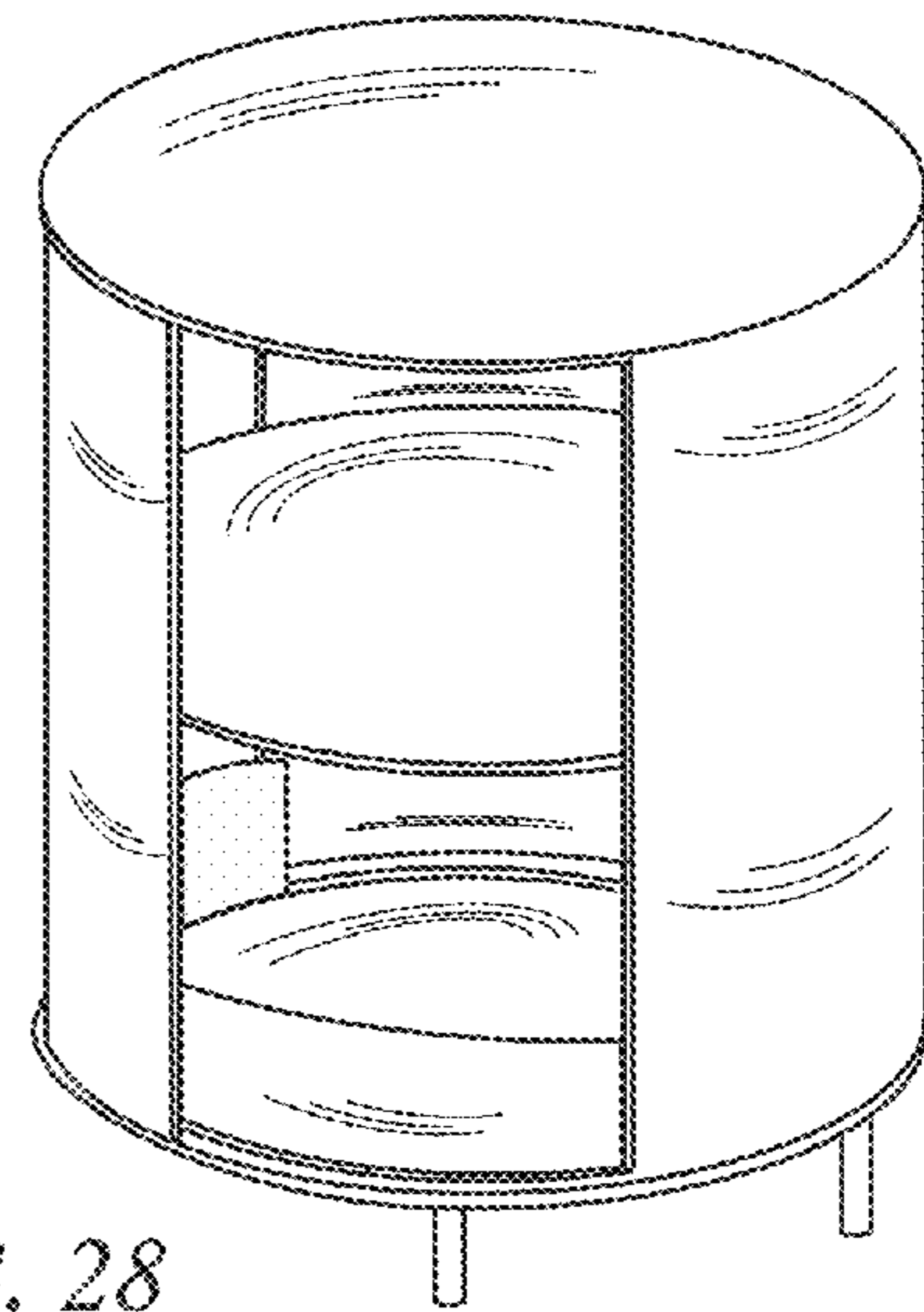


FIG. 28

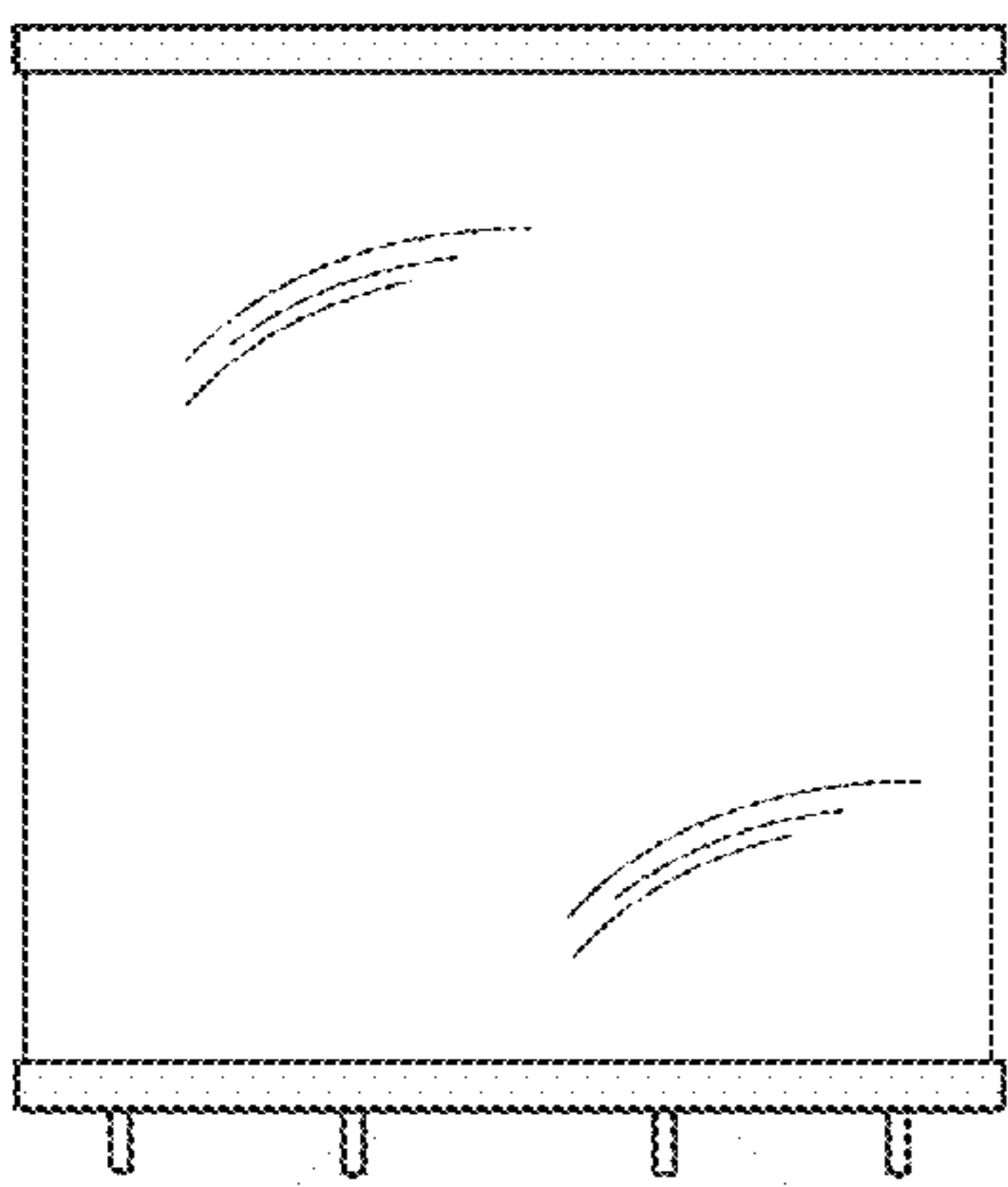


FIG. 29

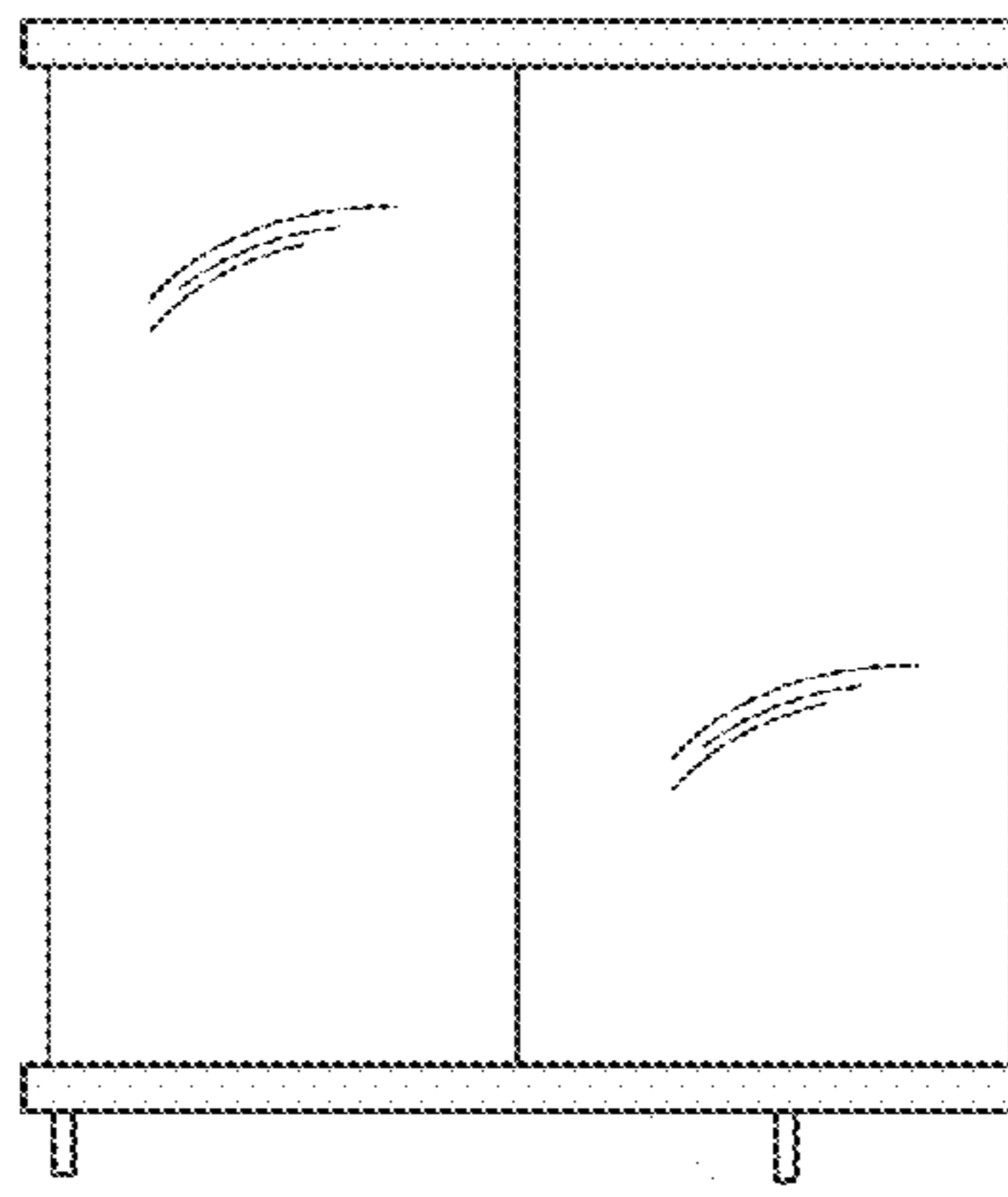


FIG. 30

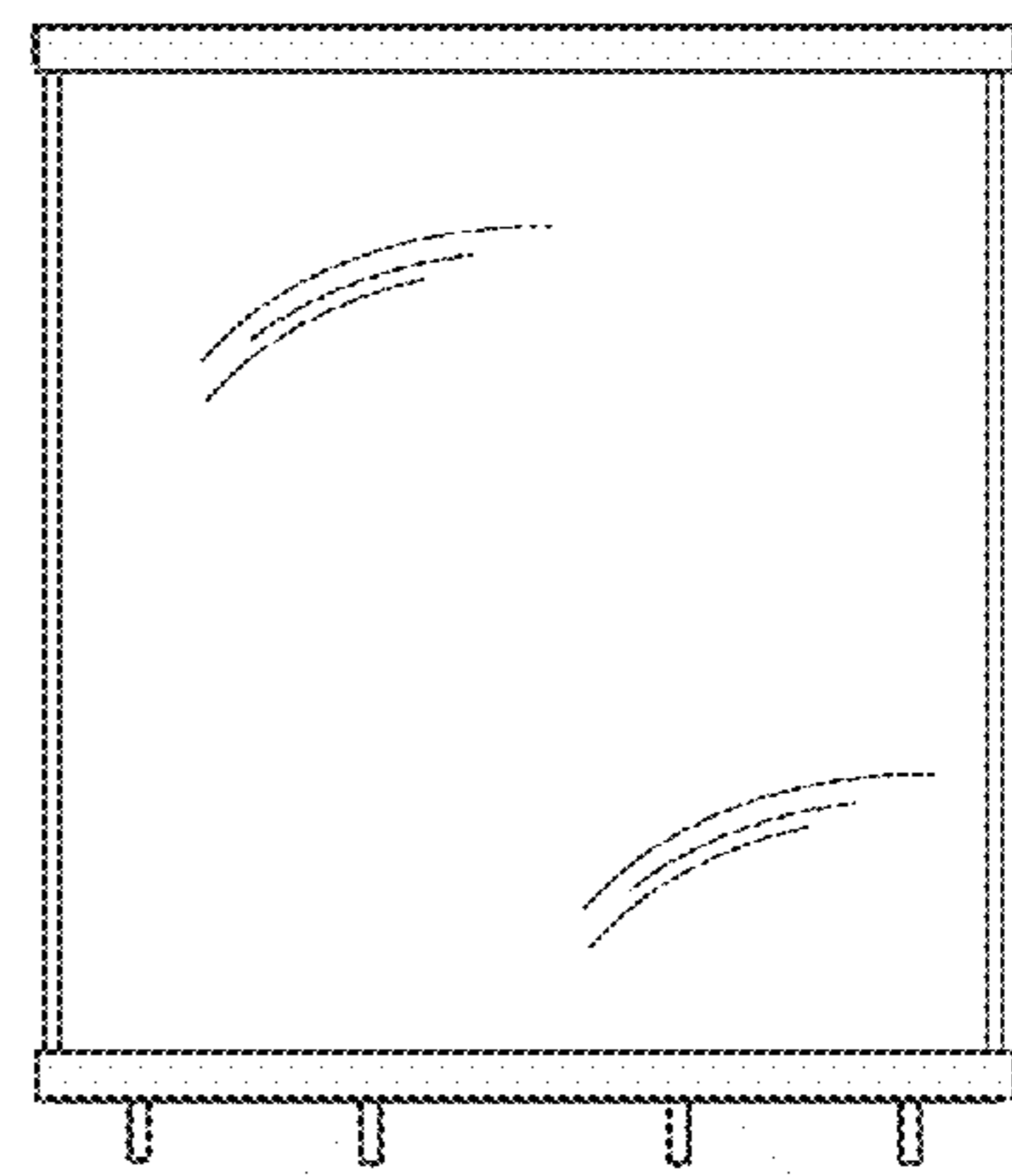


FIG. 31

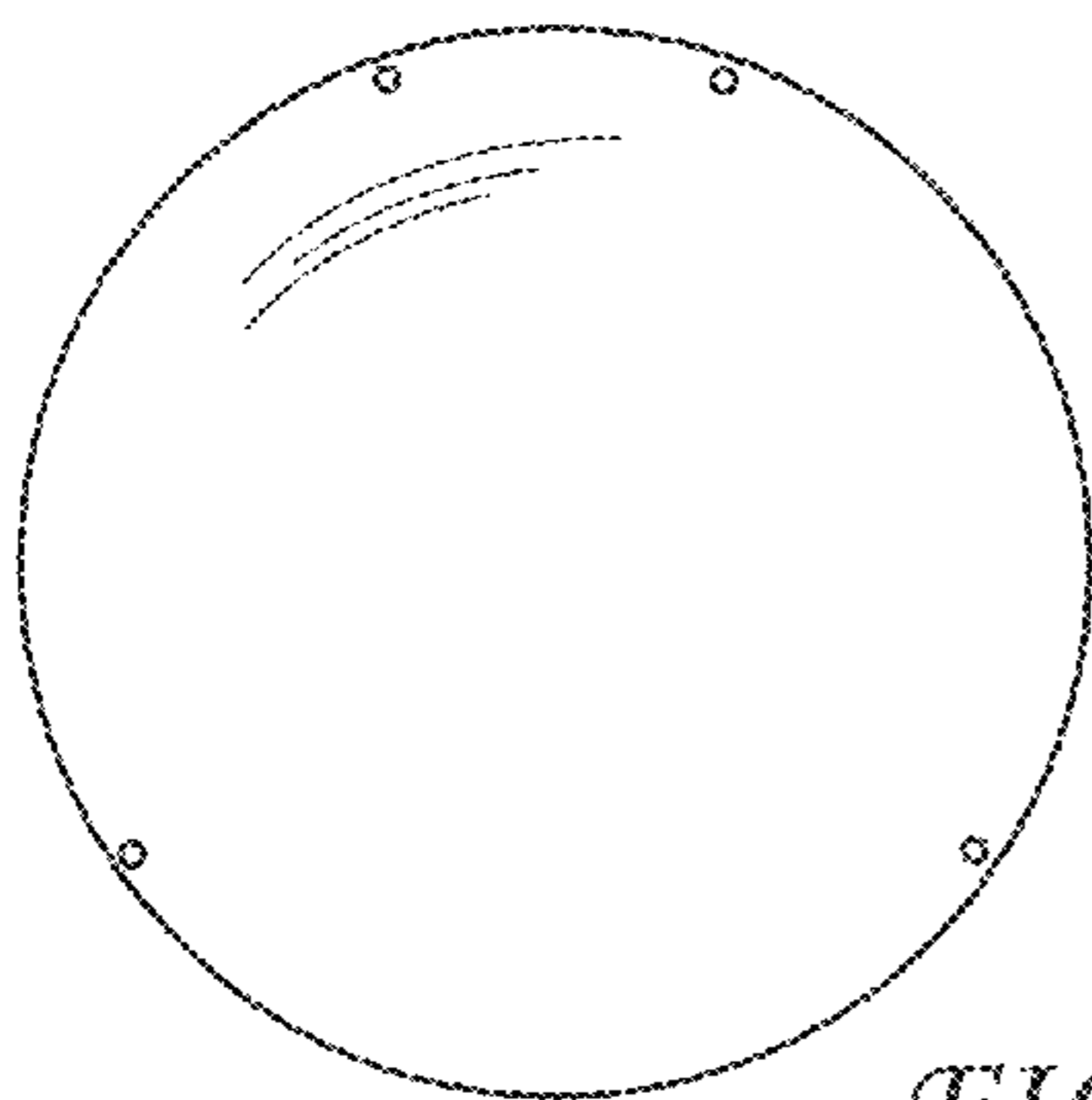


FIG. 32

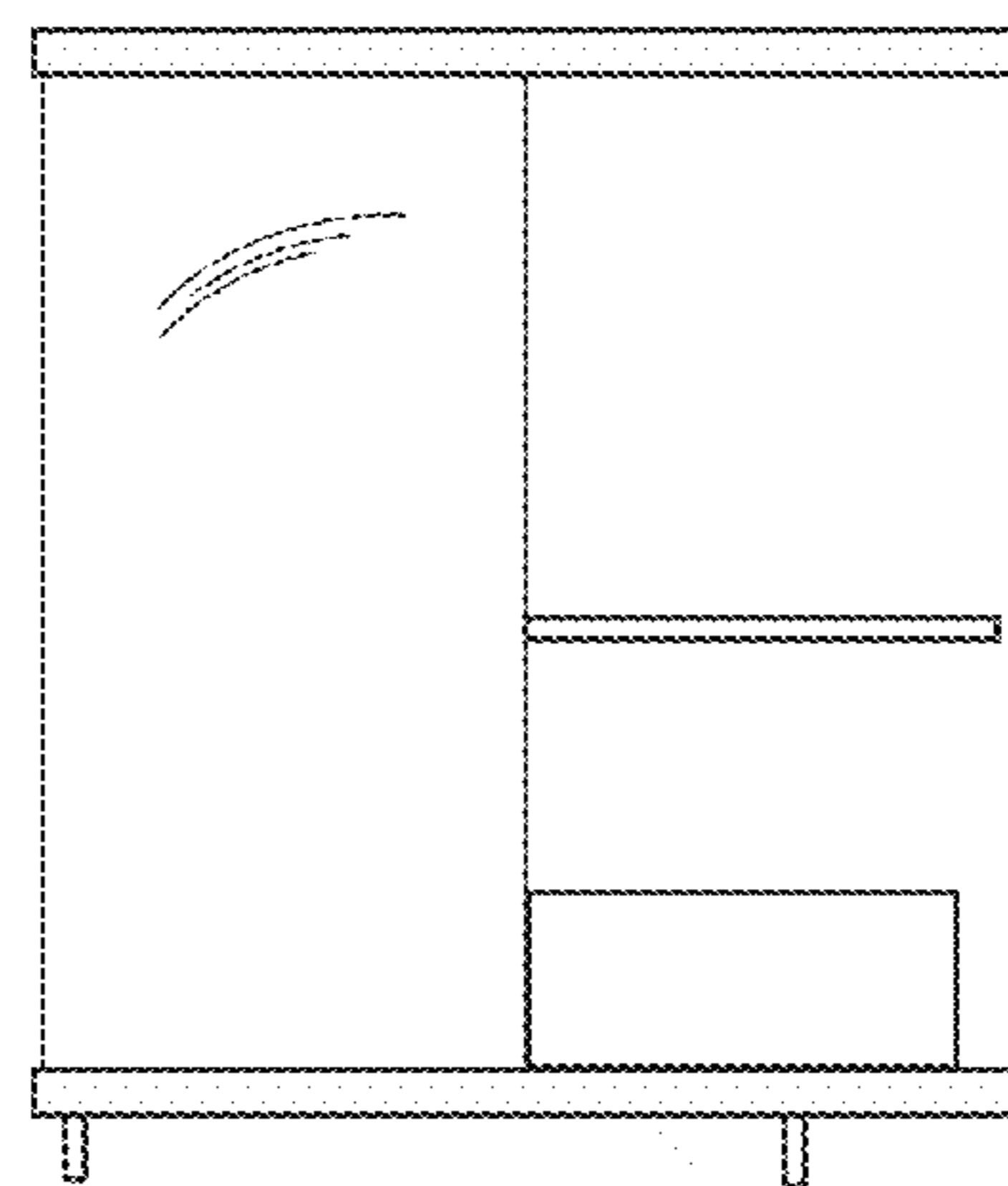


FIG. 34