



US00D870512S

(12) **United States Design Patent** (10) **Patent No.:** **US D870,512 S**
Roden (45) **Date of Patent:** **** Dec. 24, 2019**

- (54) **ELECTRIC LIGHTER**
- (71) Applicant: **TYL Inc.**, Fort Worth, TX (US)
- (72) Inventor: **Tripp Roden**, Keller, TX (US)
- (73) Assignee: **TYL, Inc.**, Fort Worth, TX (US)
- (**) Term: **15 Years**
- (21) Appl. No.: **29/674,086**
- (22) Filed: **Dec. 19, 2018**

Related U.S. Application Data

- (63) Continuation of application No. 29/593,117, filed on Feb. 6, 2017, now Pat. No. Des. 839,048, which is a continuation of application No. 29/533,979, filed on Jul. 23, 2015, now Pat. No. Des. 780,515.
- (51) **LOC (12) Cl.** **07-99**
- (52) **U.S. Cl.**
USPC **D7/416; D7/690; D7/682**
- (58) **Field of Classification Search**
USPC D7/690, 682, 376, 379, 416, 417, 407,
D7/409, 515; D27/141, 154; 431/344;
D30/155; D13/100; D21/402
CPC A61B 18/1492; A61F 2/88; A47J 43/1093;
A47J 37/079; B26D 2/26
See application file for complete search history.

(56) **References Cited**

U.S. PATENT DOCUMENTS

- D23,355 S * 6/1894 Harrah D7/416
- D109,993 S * 6/1938 Warner D7/682
- 2,527,935 A * 10/1950 Joel A63H 33/28
446/15
- 2,610,884 A * 9/1952 Enderle A47G 21/00
294/15
- 2,886,320 A * 5/1959 Hennik A63B 65/122
124/5
- 2,905,453 A * 9/1959 Wise A23G 3/0215
366/130

- 3,116,770 A * 1/1964 Tanuma B26D 3/26
30/114
 - D203,956 S * 3/1966 Howenstein D7/416
 - D204,436 S * 4/1966 Bourner D7/416
 - D213,561 S * 3/1969 Walker D13/147
 - 4,321,907 A * 3/1982 Sutter A47J 37/079
126/25 B
 - 4,406,941 A 9/1983 Schmerein, Jr.
 - D281,707 S * 12/1985 Jernigan D21/402
- (Continued)

OTHER PUBLICATIONS

“Electric Charcoal Lighter,” Big Green Egg—The Ultimate Cooking Experience, dated Aug. 28, 2011, <<http://www.biggreenegg.com/eggcessories>>.

(Continued)

Primary Examiner — Marianne N Pandozzi
(74) *Attorney, Agent, or Firm* — Sterne, Kessler, Goldstein & Fox P.L.L.C.

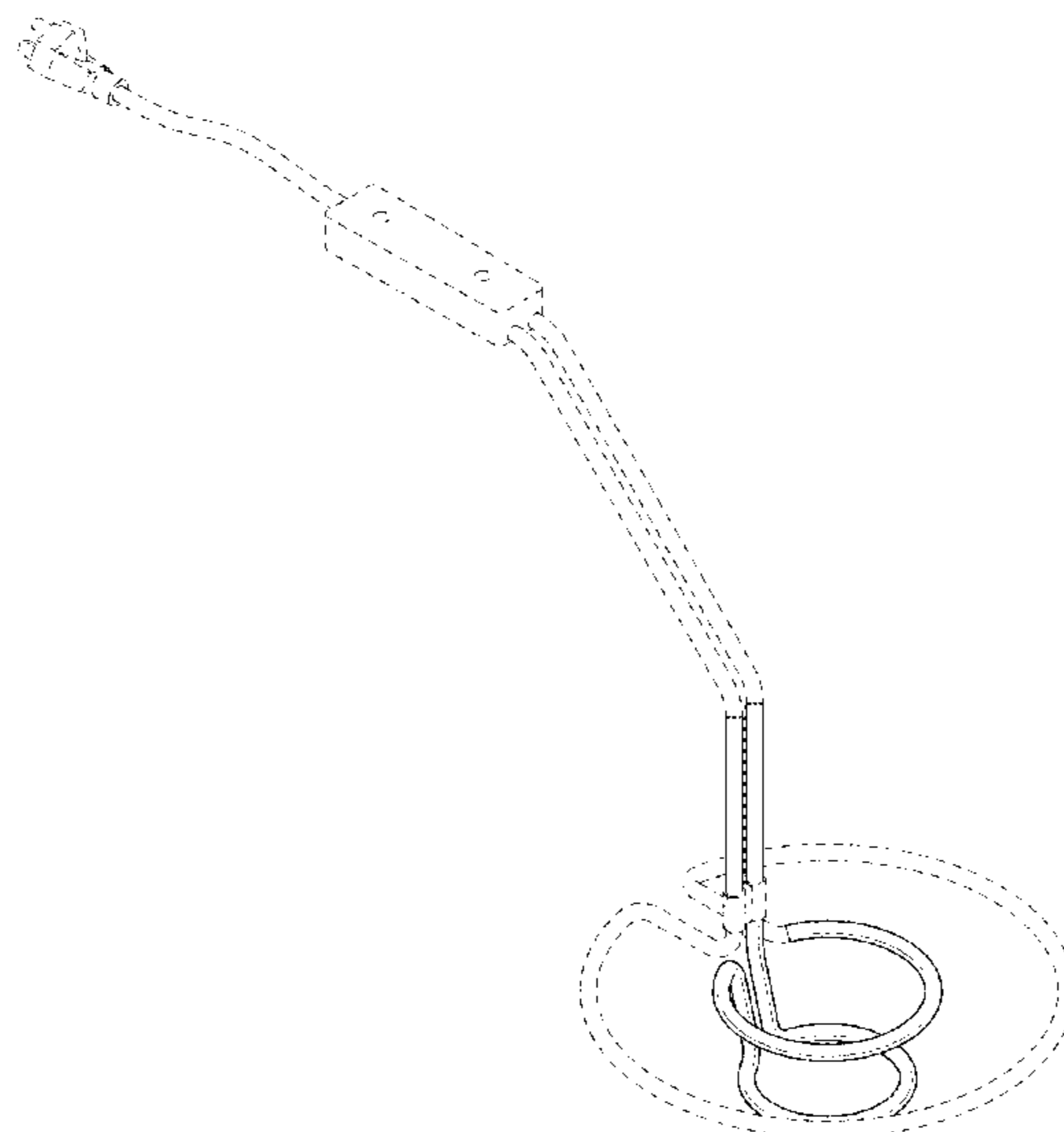
(57) **CLAIM**

The ornamental design for an electric lighter, as shown and described.

DESCRIPTION

FIG. 1 is a top front perspective view of an electric lighter showing the claimed design;
FIG. 2 is a front view thereof;
FIG. 3 is a rear view thereof;
FIG. 4 is a right side view thereof;
FIG. 5 is a left side view thereof;
FIG. 6 is a top view thereof; and,
FIG. 7 is a bottom view thereof.
The broken lines in the figures show portions of the electric lighter that form no part of the claimed design.
The dot-dash broken lines in the figures show boundaries of the claimed design.

1 Claim, 5 Drawing Sheets



(56)

References Cited

U.S. PATENT DOCUMENTS

4,901,196	A	2/1990	Grzybowski	
5,135,388	A	8/1992	Pettit	
D346,530	S	5/1994	Elliot et al.	
D372,624	S *	8/1996	Chein	D7/300.2
5,947,595	A *	9/1999	Eurisch	A47J 43/281
				366/129
D429,972	S *	8/2000	Wang	D7/667
6,607,520	B2 *	8/2003	Keane	A61F 2/88
				128/898
D487,382	S *	3/2004	Kaposi	D7/688
D496,768	S *	9/2004	Izumoto	D99/25
D502,631	S *	3/2005	Burke	D7/213
D507,943	S *	8/2005	Settele	D7/690
6,929,466	B1	8/2005	Reese	
D585,708	S *	2/2009	Gransbury	D7/682
7,819,868	B2 *	10/2010	Cao	A61B 18/1492
				606/41
8,851,885	B2	10/2014	Wiles et al.	
9,345,529	B2 *	5/2016	Mihalik	A61B 18/02
2006/0135953	A1 *	6/2006	Kania	A61B 5/6851
				606/21

OTHER PUBLICATIONS

“Grill Dome Rapid-Lite Electric Charcoal Lighter,” BBQ Guys, accessed Mar. 16, 2015, <<http://www.bbqguys.com/>>.

“Electric Charcoal Starter,” BBQ Guys, accessed Mar. 16, 2015.

“Bull Electric Charcoal Starter,” BBQ Guys, accessed Mar. 16, 2015, <<http://bbqguys.com/>>.

* cited by examiner

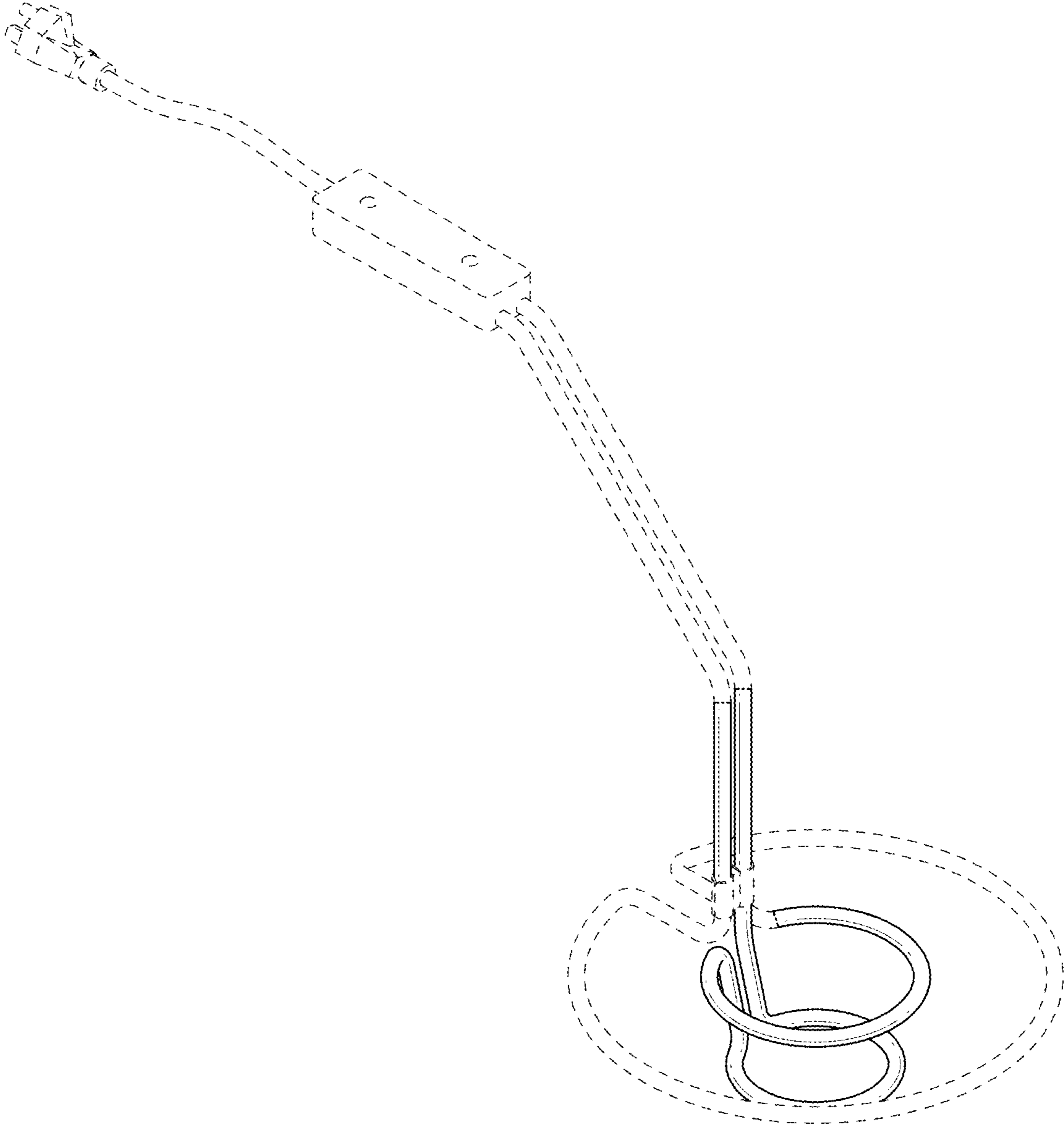


FIG. 1

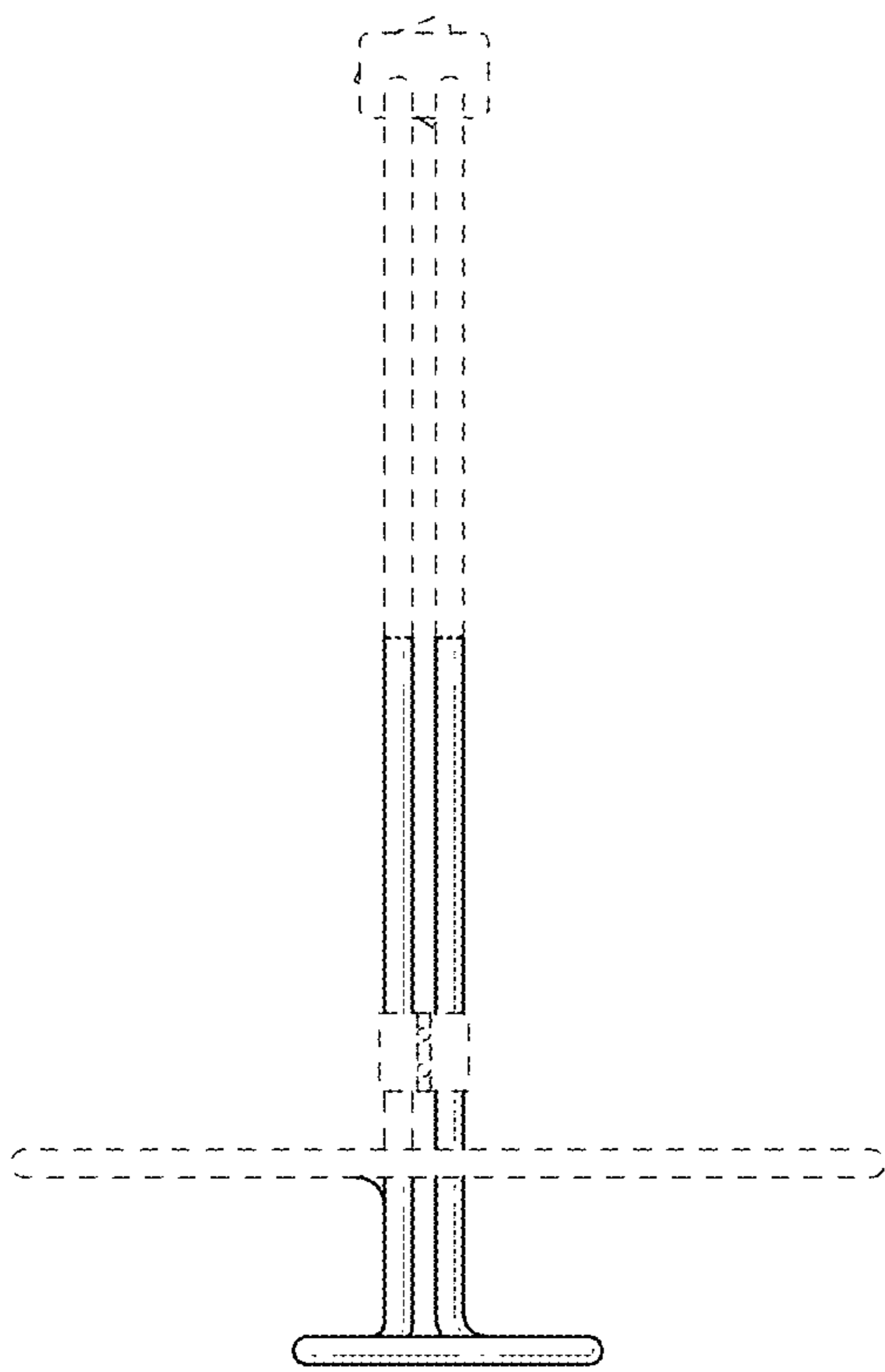


FIG. 2

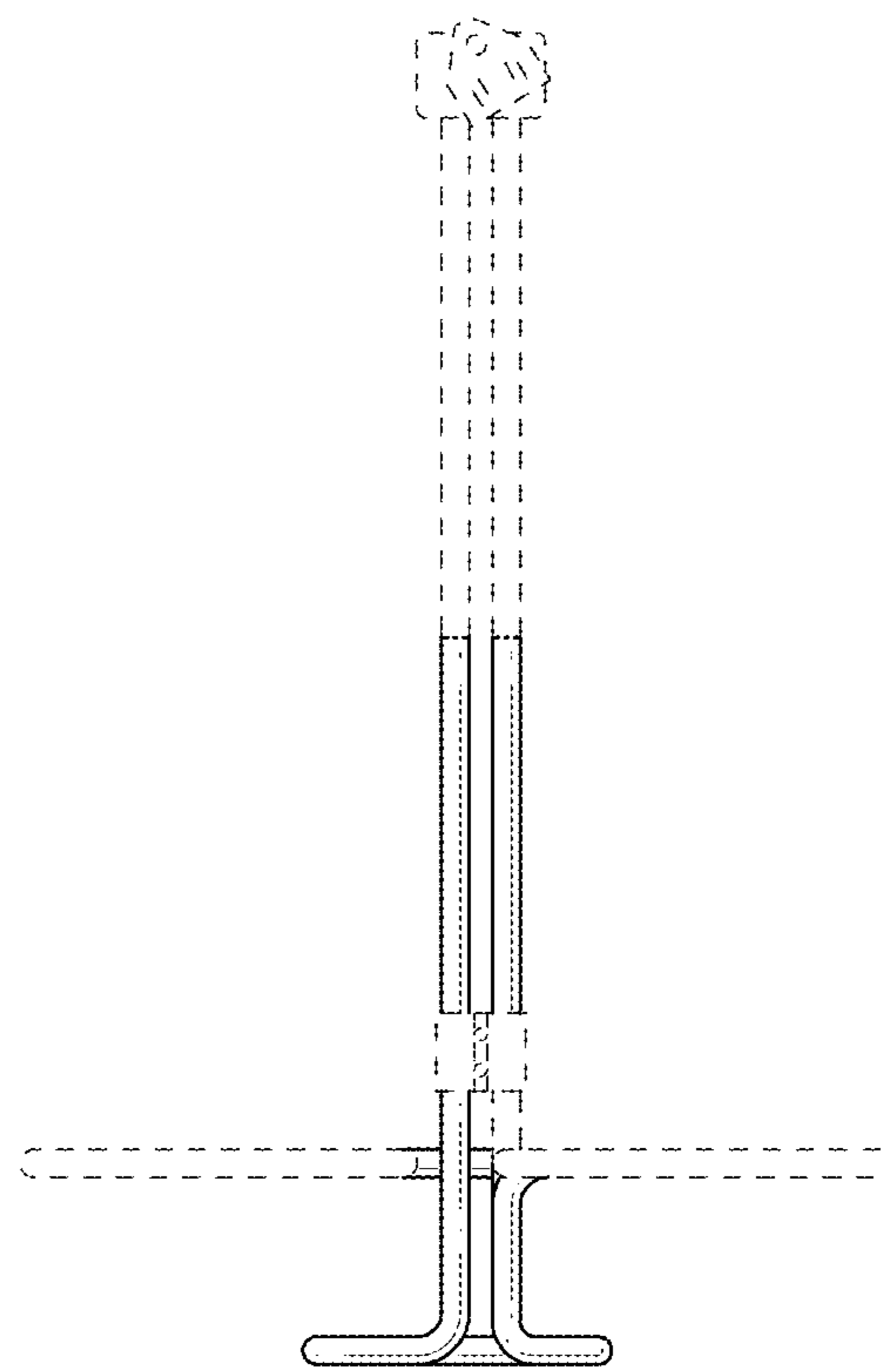


FIG. 3

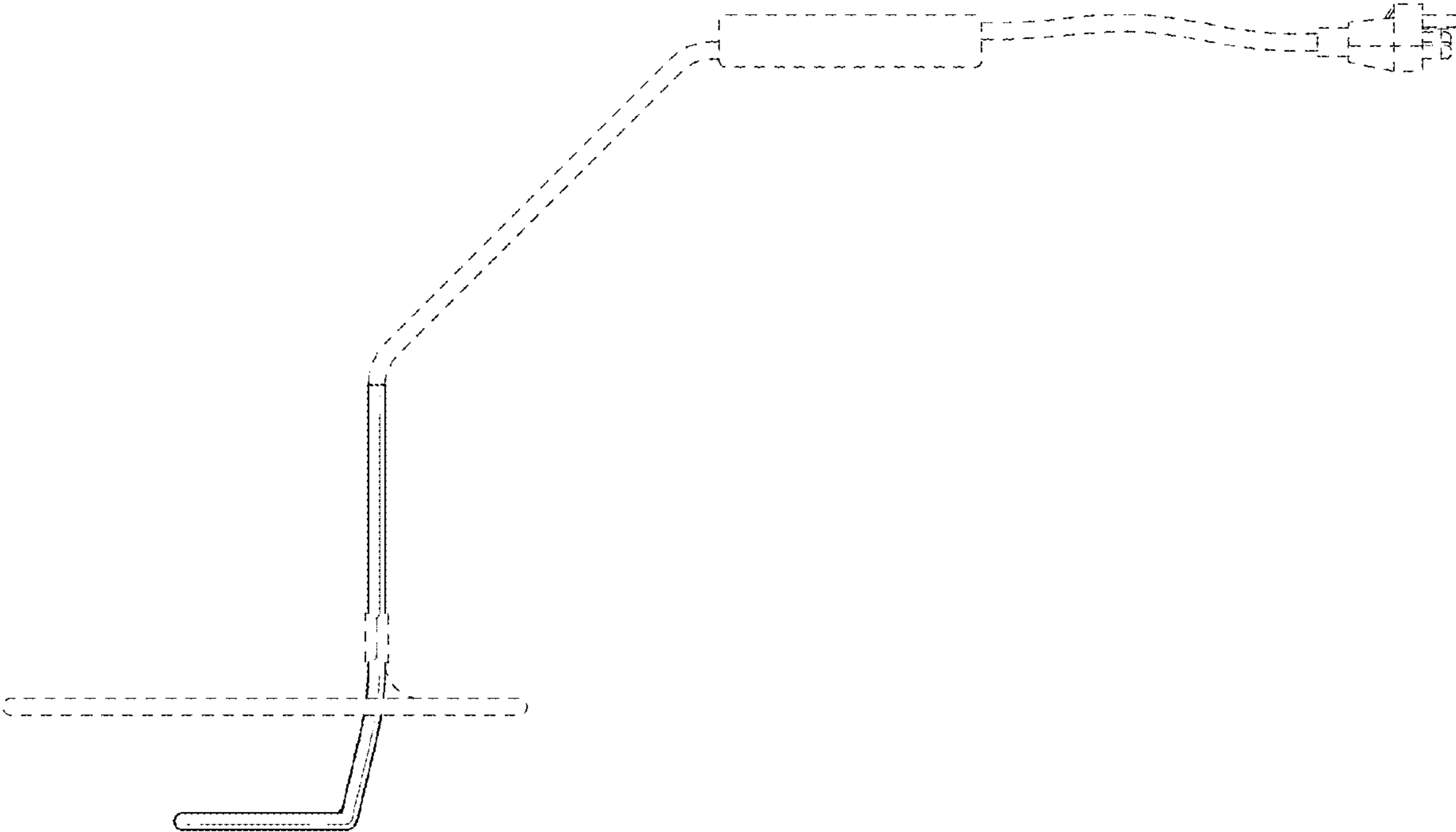


FIG. 4

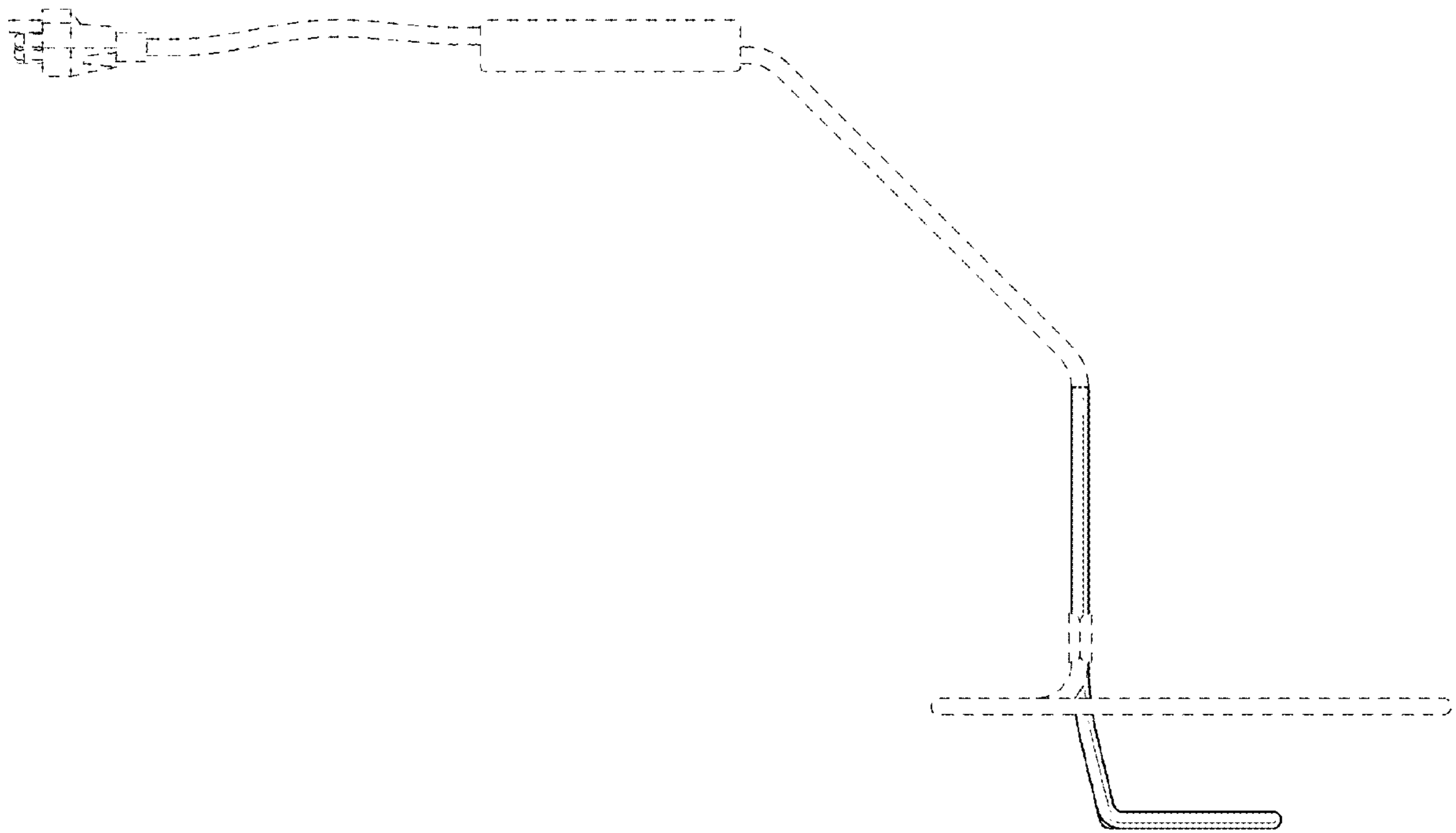


FIG. 5

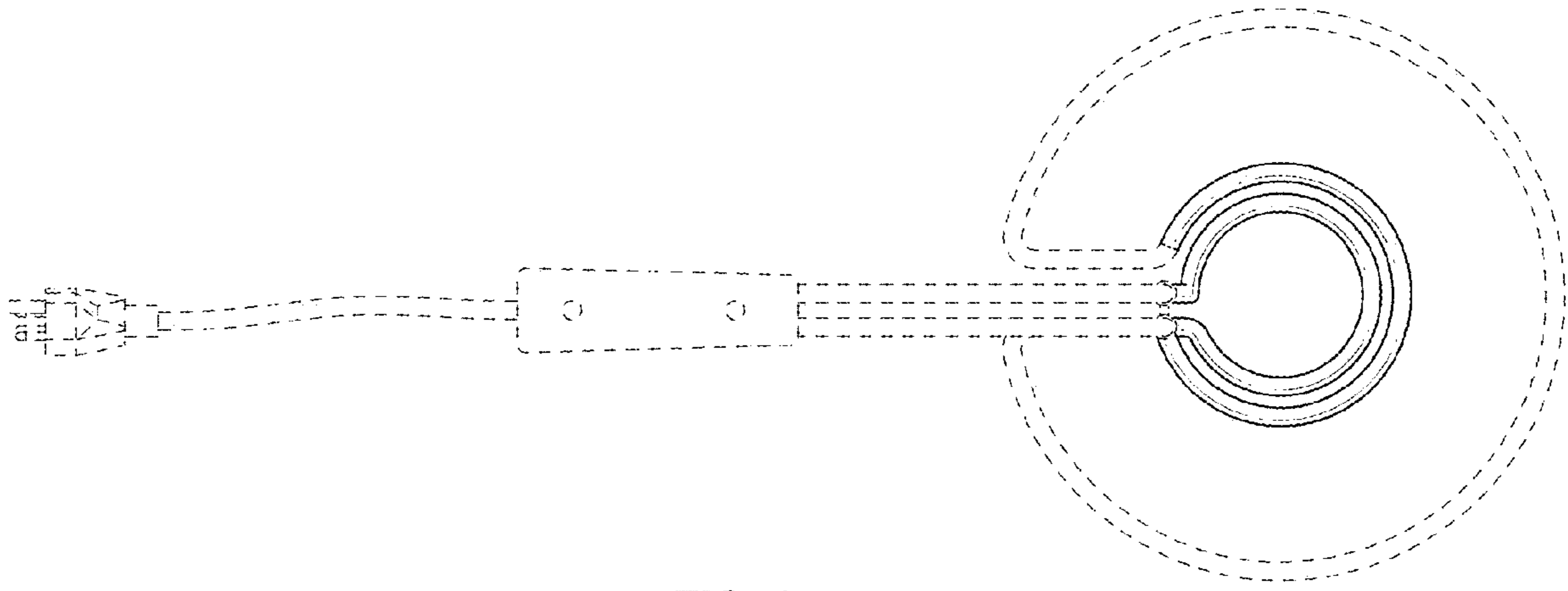


FIG. 6

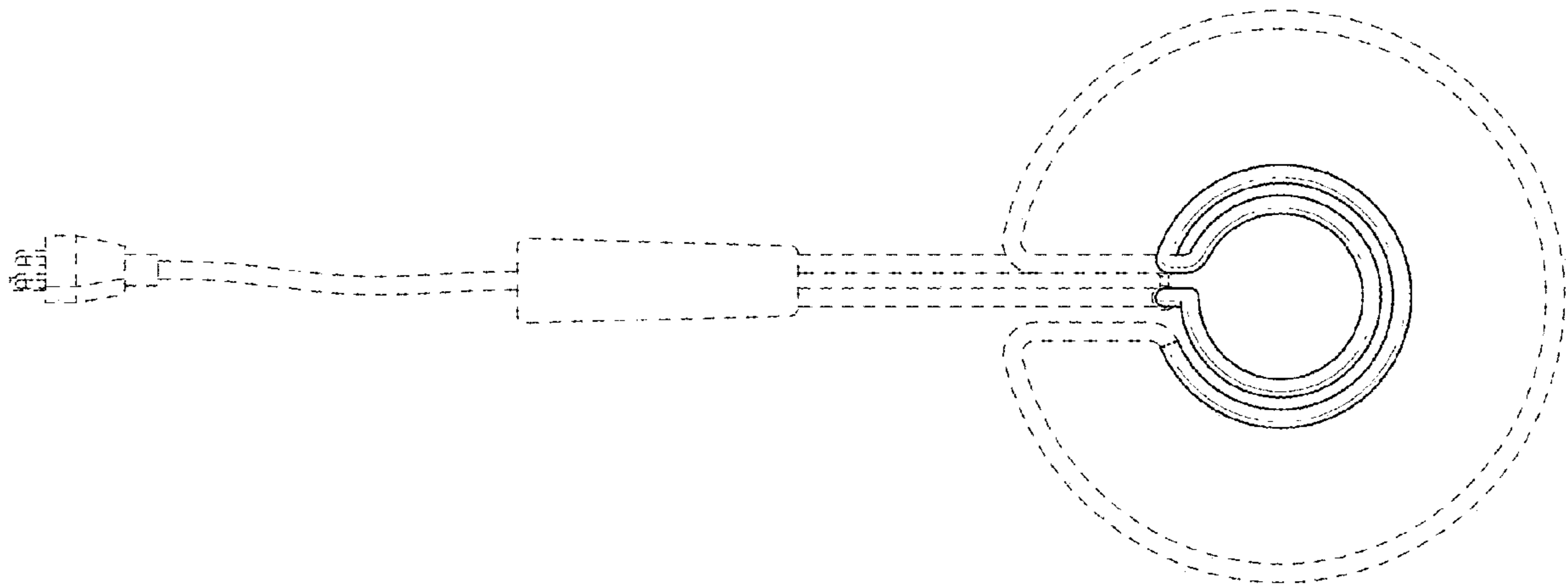


FIG. 7