



US00D870510S

(12) **United States Design Patent**
Meadows et al.

(10) **Patent No.:** **US D870,510 S**
(45) **Date of Patent:** **** Dec. 24, 2019**

- (54) **BEVERAGE TREATMENT DEVICE**
- (71) Applicant: **Purewine Inc.**, Colleyville, TX (US)
- (72) Inventors: **David L. Meadows**, Colleyville, TX (US); **Derek Meadows**, San Diego, CA (US)
- (73) Assignee: **Purewine Inc.**, Colleyville, TX (US)
- (**) Term: **15 Years**
- (21) Appl. No.: **29/639,965**
- (22) Filed: **Mar. 9, 2018**
- (51) **LOC (12) Cl.** **07-01**
- (52) **U.S. Cl.**
USPC **D7/398**; D7/397; D9/440
- (58) **Field of Classification Search**
USPC D7/400, 399, 397, 213, 387, 398, 392.2, D7/700, 315, 396.2; D9/440, 439; 99/323.1, 275, 277.1; 261/76, 110, 30; 222/190, 450
CPC A47G 19/2205; B01F 3/04262; B01F 3/04794; B01F 5/0619
See application file for complete search history.

- D577,997 S * 10/2008 Pan D7/398
- D614,443 S * 4/2010 Federighi D7/397
- D652,251 S * 1/2012 Goralski D7/213
- D677,524 S * 3/2013 Agarwal D7/397
- 8,561,970 B1 * 10/2013 Mills B01F 13/002
261/124
- D705,004 S * 5/2014 Mills D7/300.2
- D716,612 S * 11/2014 Mills D11/146
- D719,402 S * 12/2014 Khan D7/397
- D734,639 S * 7/2015 Lei D7/213
- D825,987 S * 8/2018 Min D7/398
- D855,392 S * 8/2019 Shim D7/397
- 2010/0058933 A1 * 3/2010 Cheng B01F 3/04595
99/323.1
- 2012/0156345 A1 * 6/2012 Agarwal B01F 5/0428
426/474
- 2013/0140721 A1 * 6/2013 Borden B01F 5/0428
261/76

(Continued)

Primary Examiner — Marianne N Pandozzi

(57) **CLAIM**

The ornamental design for a beverage treatment device, as shown and described.

DESCRIPTION

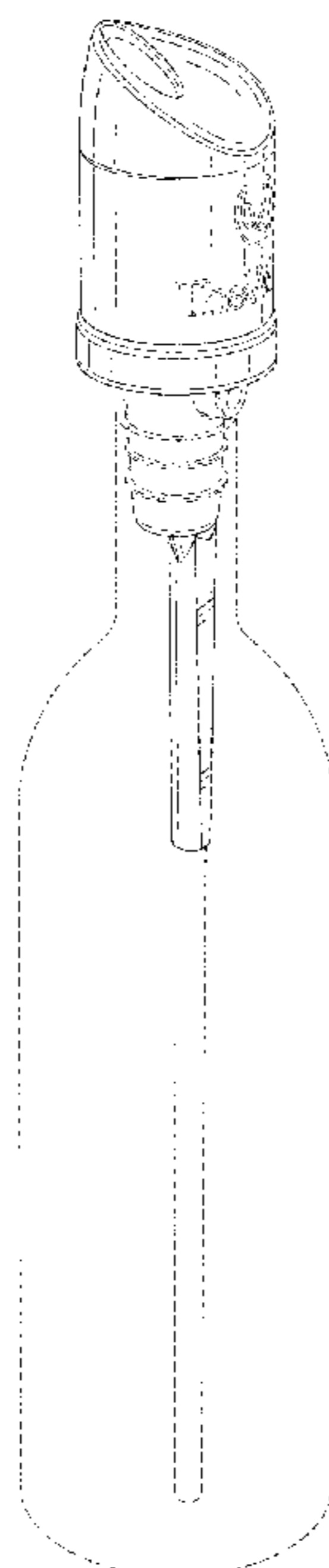
FIG. 1 is a front perspective view of the beverage treatment device;
 FIG. 2 is a front side view of the beverage treatment device;
 FIG. 3 is a rear side view of the beverage treatment device;
 FIG. 4 is a right side view of the beverage treatment device;
 FIG. 5 is a left side view of the beverage treatment device;
 FIG. 6 is a top side view of the beverage treatment device;
 and,
 FIG. 7 is a bottom side view of the beverage treatment device.
 The broken lines in the drawing depict environmental subject matter only and form no part of the claimed design.

1 Claim, 4 Drawing Sheets

(56) **References Cited**

U.S. PATENT DOCUMENTS

- 3,164,300 A * 1/1965 Dousette G01F 11/262
222/153.06
- 3,232,797 A * 2/1966 Bessen C23C 8/62
148/231
- D217,330 S * 4/1970 Coury D9/440
- D223,693 S * 5/1972 Chi D7/398
- D421,205 S * 2/2000 Naft D8/36
- D468,205 S * 1/2003 Pierce D9/440
- D520,359 S * 5/2006 Sach D9/439



(56)

References Cited

U.S. PATENT DOCUMENTS

2015/0068406 A1* 3/2015 Marsden C12G 1/00
99/323.1

* cited by examiner

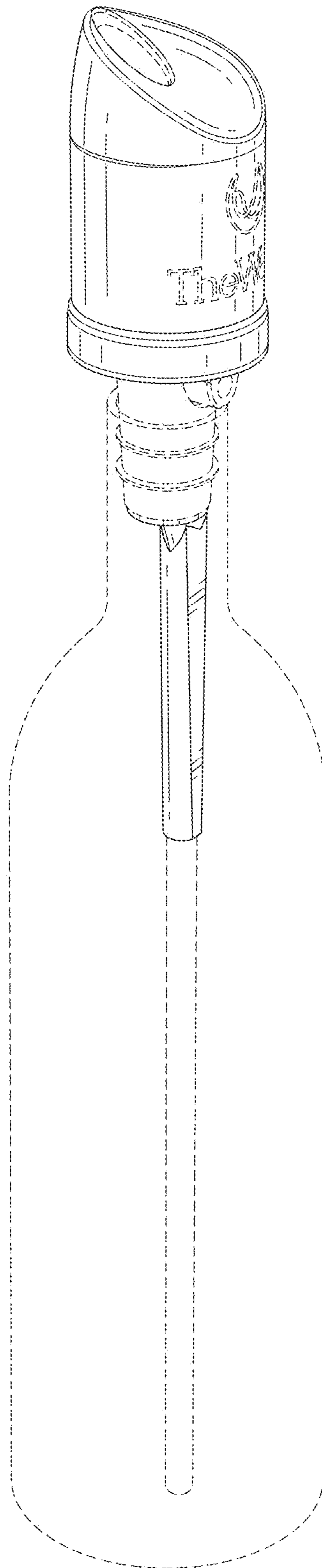


FIG. 1

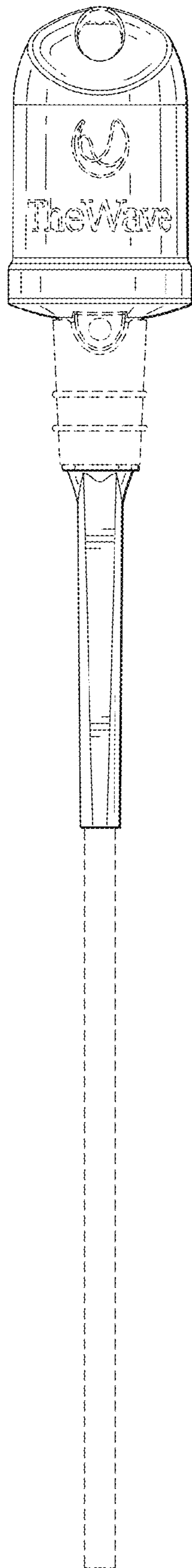


FIG. 2

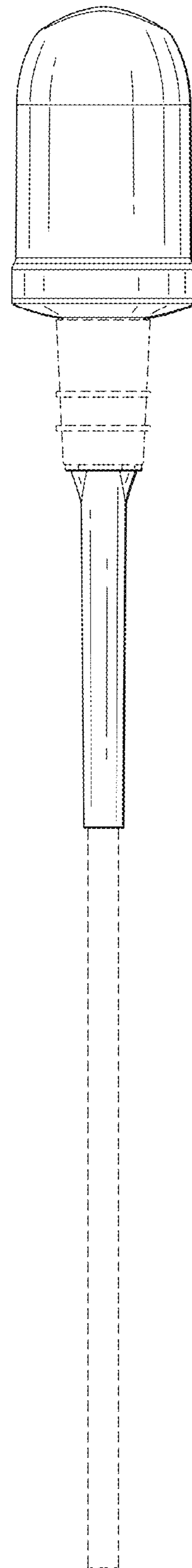


FIG. 3

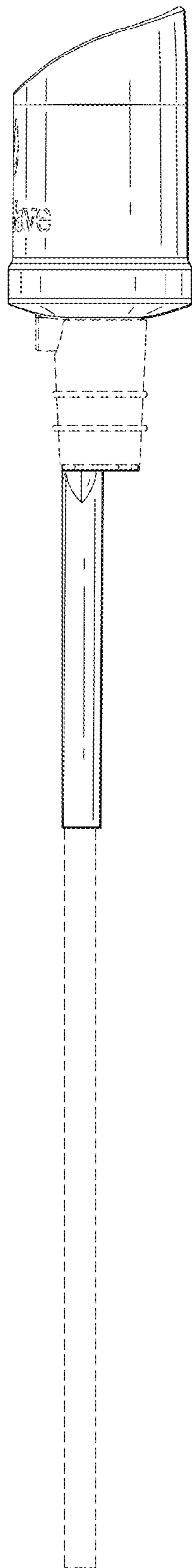


FIG. 4

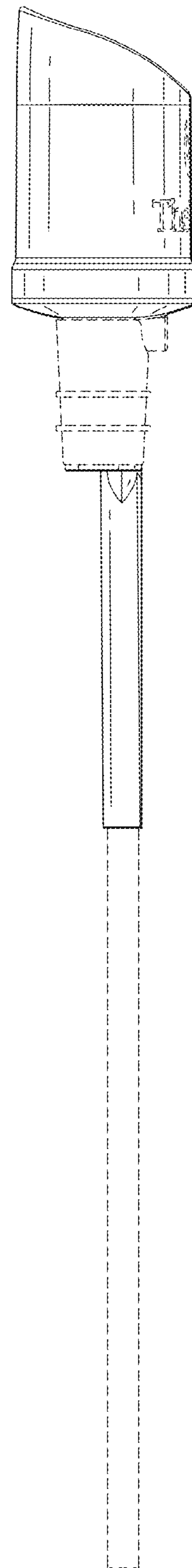


FIG. 5

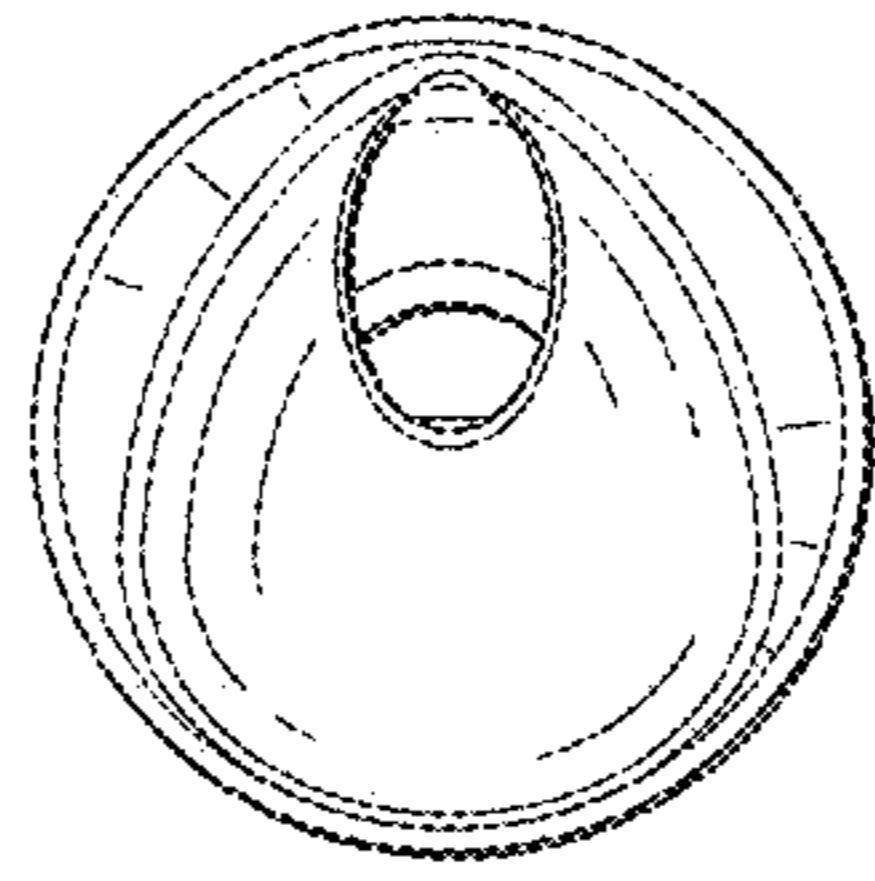


FIG. 6

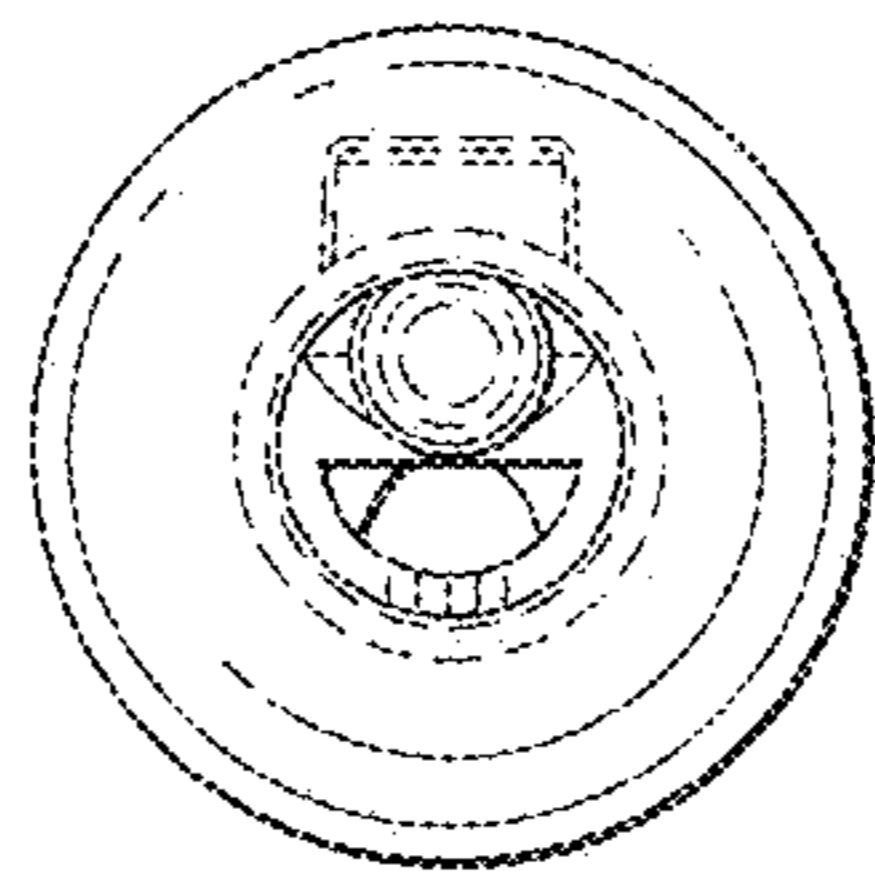


FIG. 7