



US00D870509S

(12) **United States Design Patent** (10) **Patent No.:** **US D870,509 S**
Bo (45) **Date of Patent:** **** Dec. 24, 2019**

- (54) **CAP**
- (71) Applicant: **Yongkang Qiqing Industry and Trade Co., Ltd., Yongkang (CN)**
- (72) Inventor: **Zhang Bo, Gongxian (CN)**
- (**) Term: **15 Years**
- (21) Appl. No.: **29/702,485**
- (22) Filed: **Aug. 20, 2019**
- (51) **LOC (12) Cl.** **07-99**
- (52) **U.S. Cl.**
USPC **D7/392.1; D9/443**
- (58) **Field of Classification Search**
USPC D9/414, 434-436, 438-440, 443-457,
D9/499, 503-505, 682, 685, 686;
D7/387, 391, 392, 392.1, 396.2-396.4,
D7/401.1, 507, 509-511, 538, 900;
D3/202, 203.2, 318; D28/91.1
CPC .. A61J 1/00; A61J 1/1412; B65D 1/00; B65D
1/02; B65D 1/10; B65D 1/46; B65D
5/46; B65D 41/00; B65D 41/38; B65D
41/56; B65D 41/62; B65D 47/00; B65D
47/06; B65D 47/08; B65D 2251/00;
B65D 2543/00046; B65D 2543/00092;
B65D 2543/00296; B65D 2585/56; B65D
2585/545
See application file for complete search history.

(56) **References Cited**

U.S. PATENT DOCUMENTS

- D763,076 S * 8/2016 Lane D9/446
- D763,688 S * 8/2016 Breit D9/443
- D772,652 S * 11/2016 Yao D7/510
- D786,012 S * 5/2017 Hein D7/396.2
- D792,216 S * 7/2017 Breit D9/443

- D801,111 S * 10/2017 Eyal D7/392.1
- D806,468 S * 1/2018 Goodwin D9/443
- D807,110 S * 1/2018 Lown D7/391
- D817,085 S * 5/2018 Davis D7/392.1
- D824,721 S * 8/2018 Hu D9/443
- D828,722 S * 9/2018 Davis D7/510
- D830,783 S * 10/2018 Diener D7/608
- D843,778 S * 3/2019 Yao D7/392.1
- D848,786 S * 5/2019 Bujalska D7/392.1
- D849,482 S * 5/2019 Diener D7/510
- D853,181 S * 7/2019 Stanton D7/392.1
- D856,067 S * 8/2019 Barber D7/392.1
- D857,456 S * 8/2019 Bell D7/511
- D858,181 S * 9/2019 Lown D7/392.1
- 2016/0318693 A1 * 11/2016 Hein B65D 41/0442

* cited by examiner

Primary Examiner — Michael A. Pratt
Assistant Examiner — Wendy L Arminio
(74) *Attorney, Agent, or Firm* — Wayne V. Harper

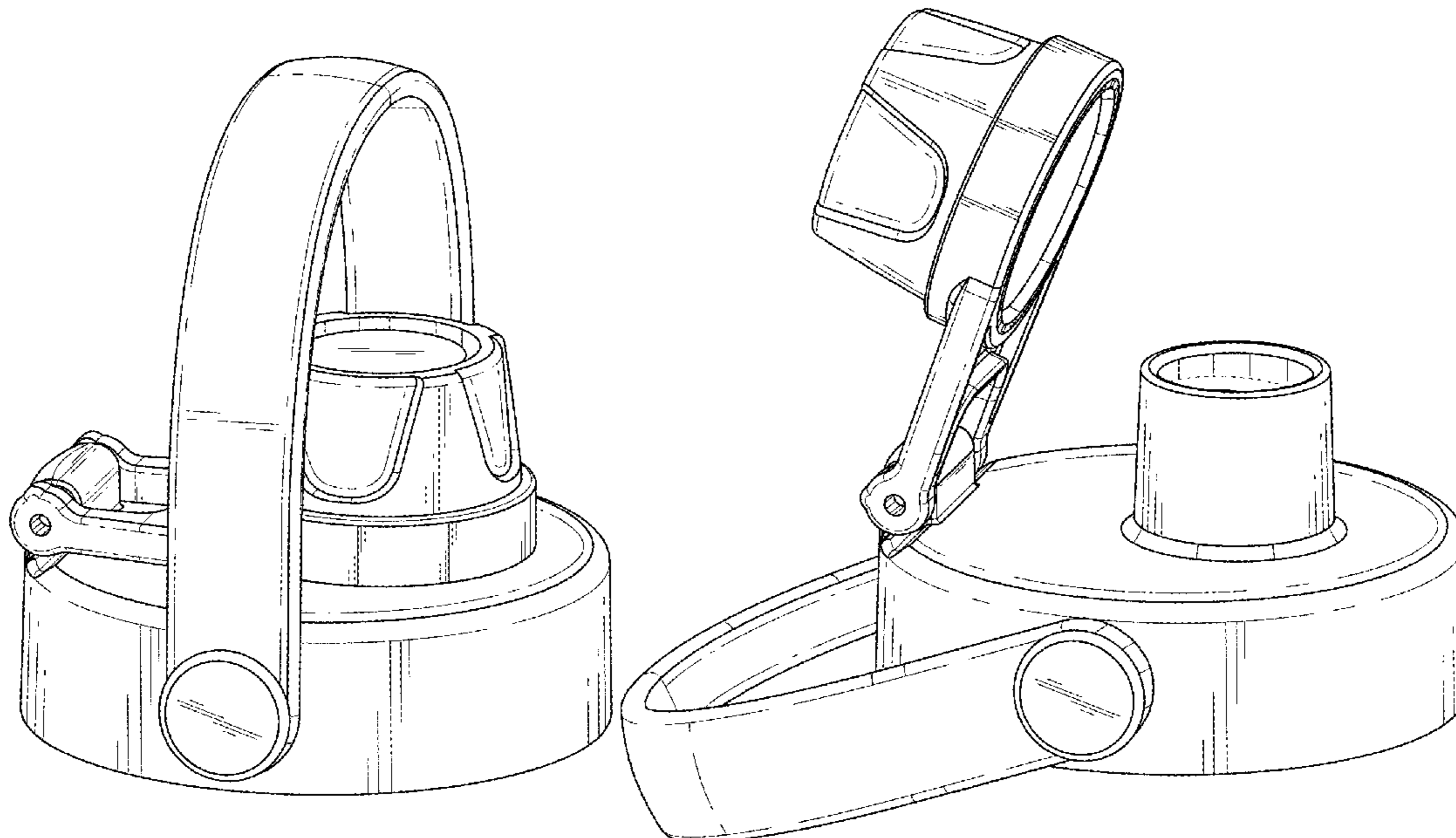
(57) **CLAIM**

I claim the ornamental design for a cap, as shown and described.

DESCRIPTION

FIG. 1 is a Perspective view of a cap showing my new design in a closed configuration;
FIG. 2 is another Perspective view of the cap of FIG. 1, shown in an open configuration;
FIG. 3 is a left-side of the cap of FIG. 1;
FIG. 4 is a Right-side view thereof;
FIG. 5 is a Front view thereof;
FIG. 6 is a Back view thereof;
FIG. 7 is a Top view thereof; and,
FIG. 8 is a Bottom view thereof.
The broken lines are only for environmental purposes and form no part of the claimed design.

1 Claim, 8 Drawing Sheets



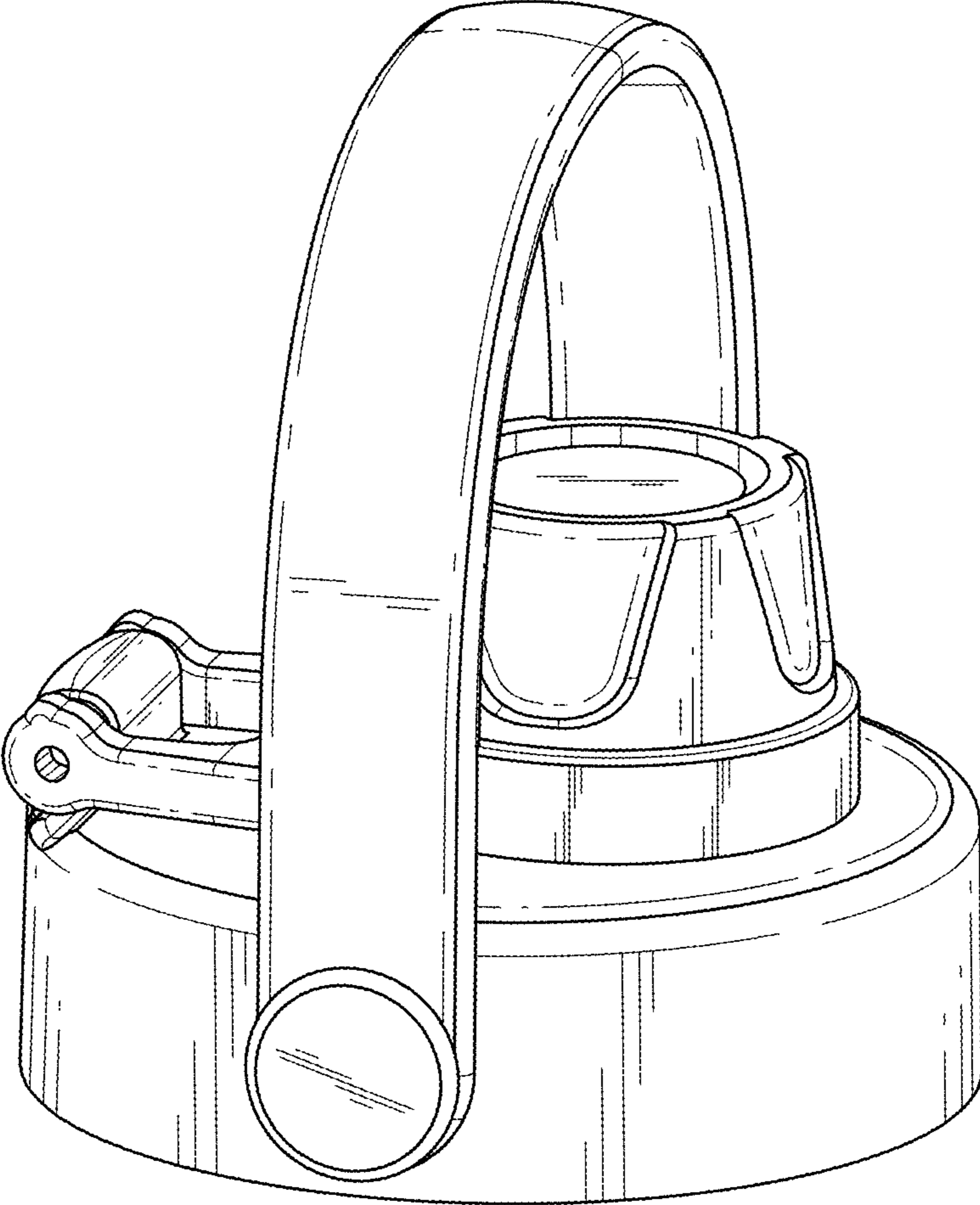


FIG. 1

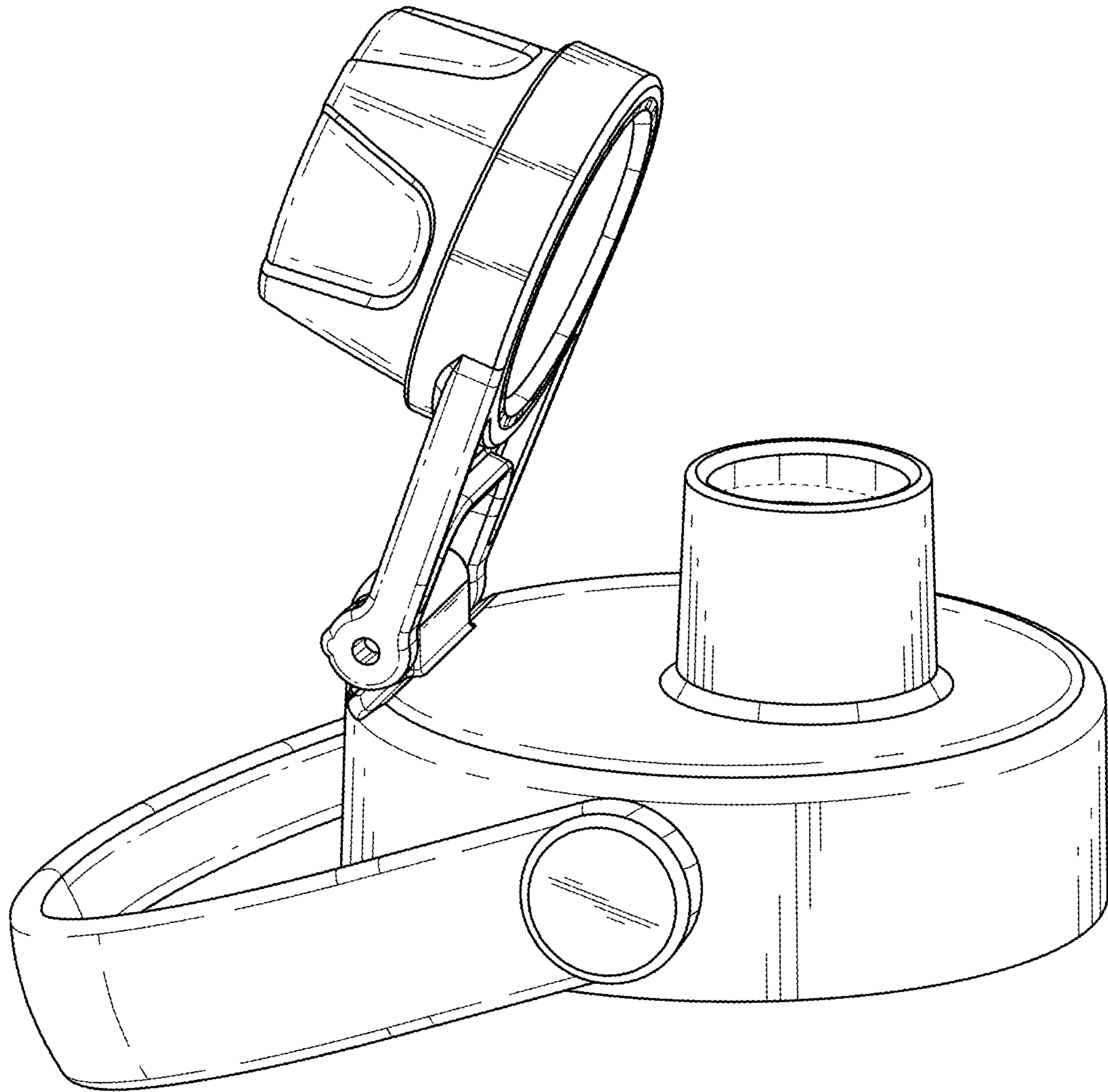


FIG. 2

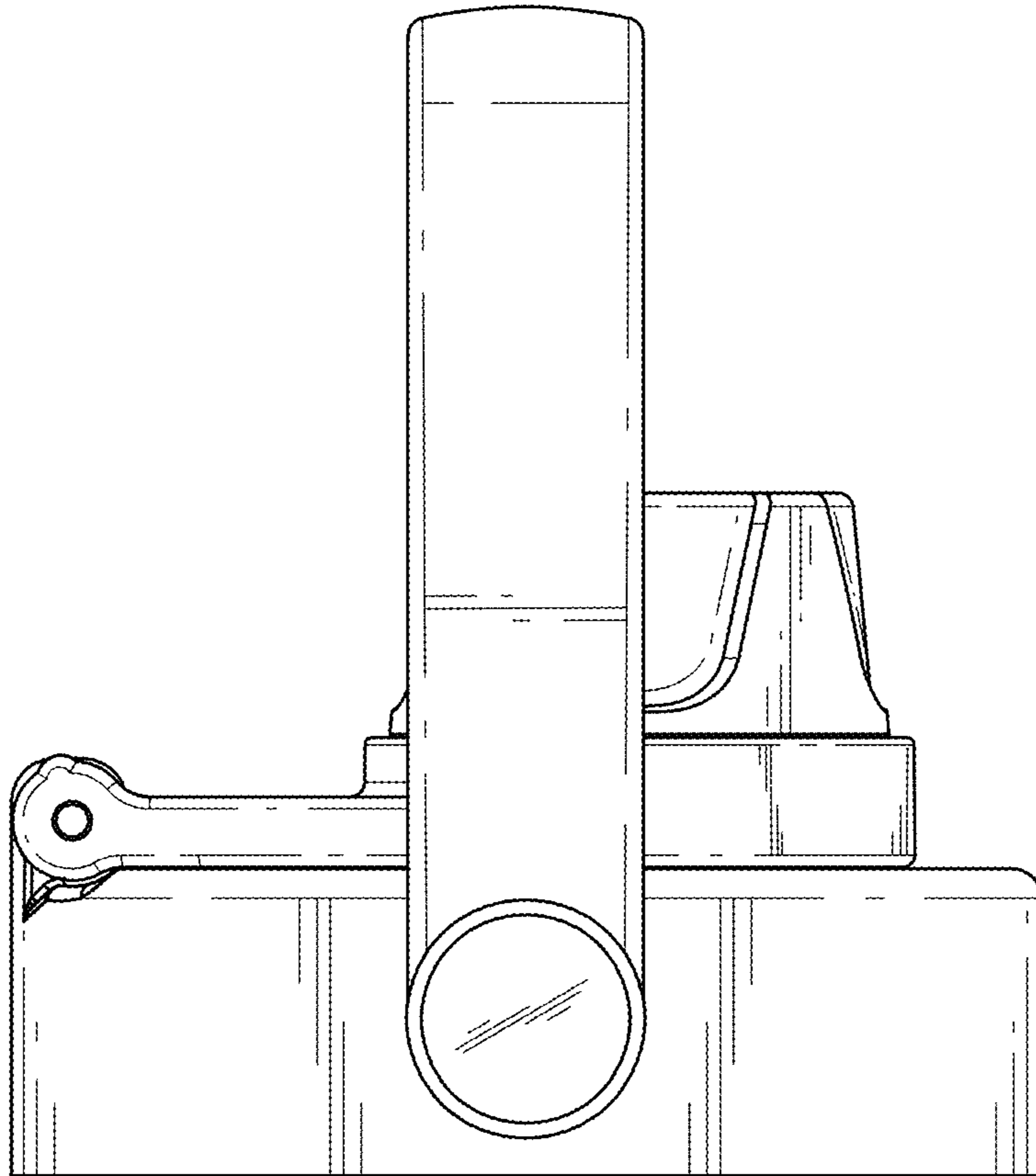


FIG. 3

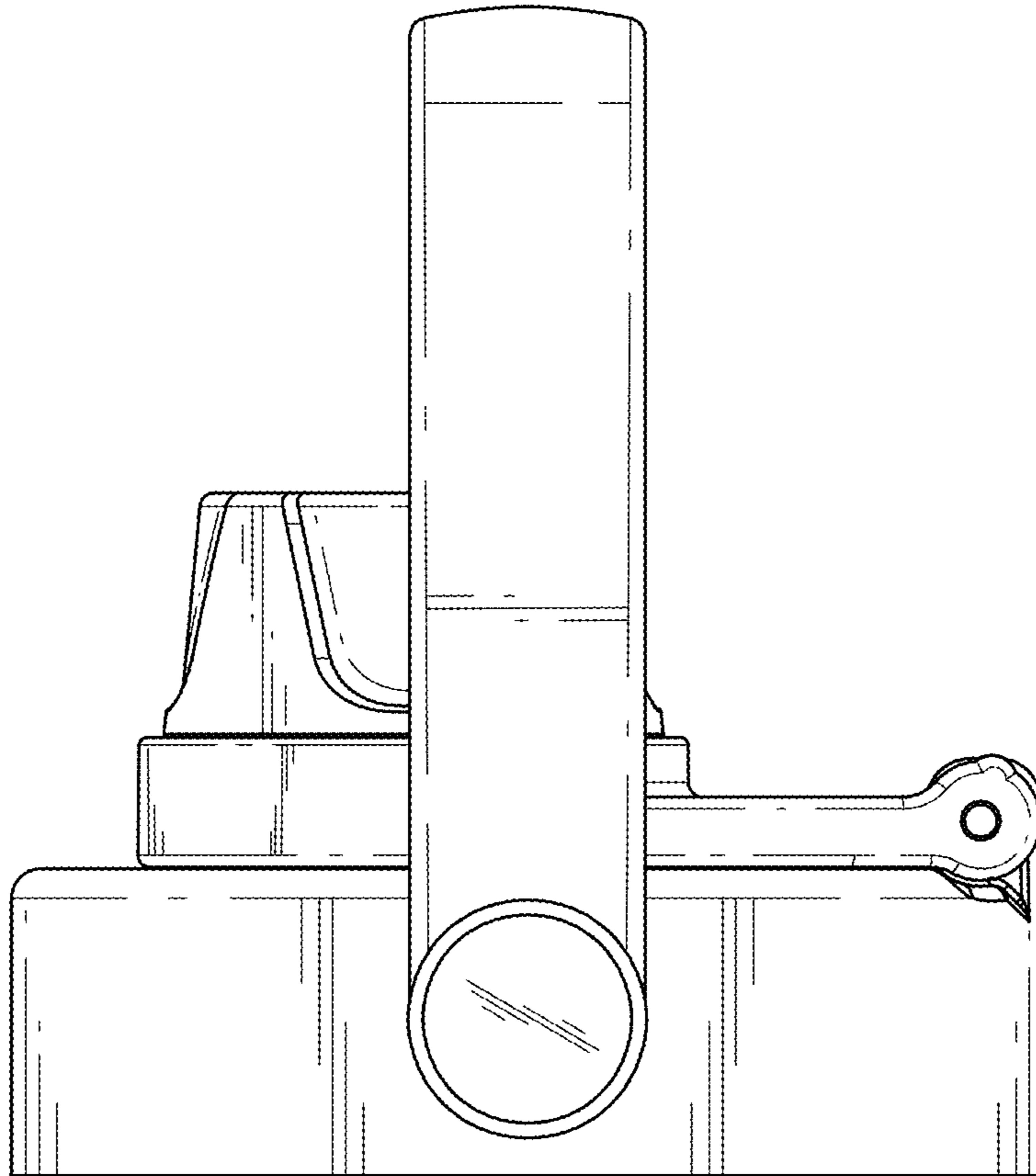


FIG. 4

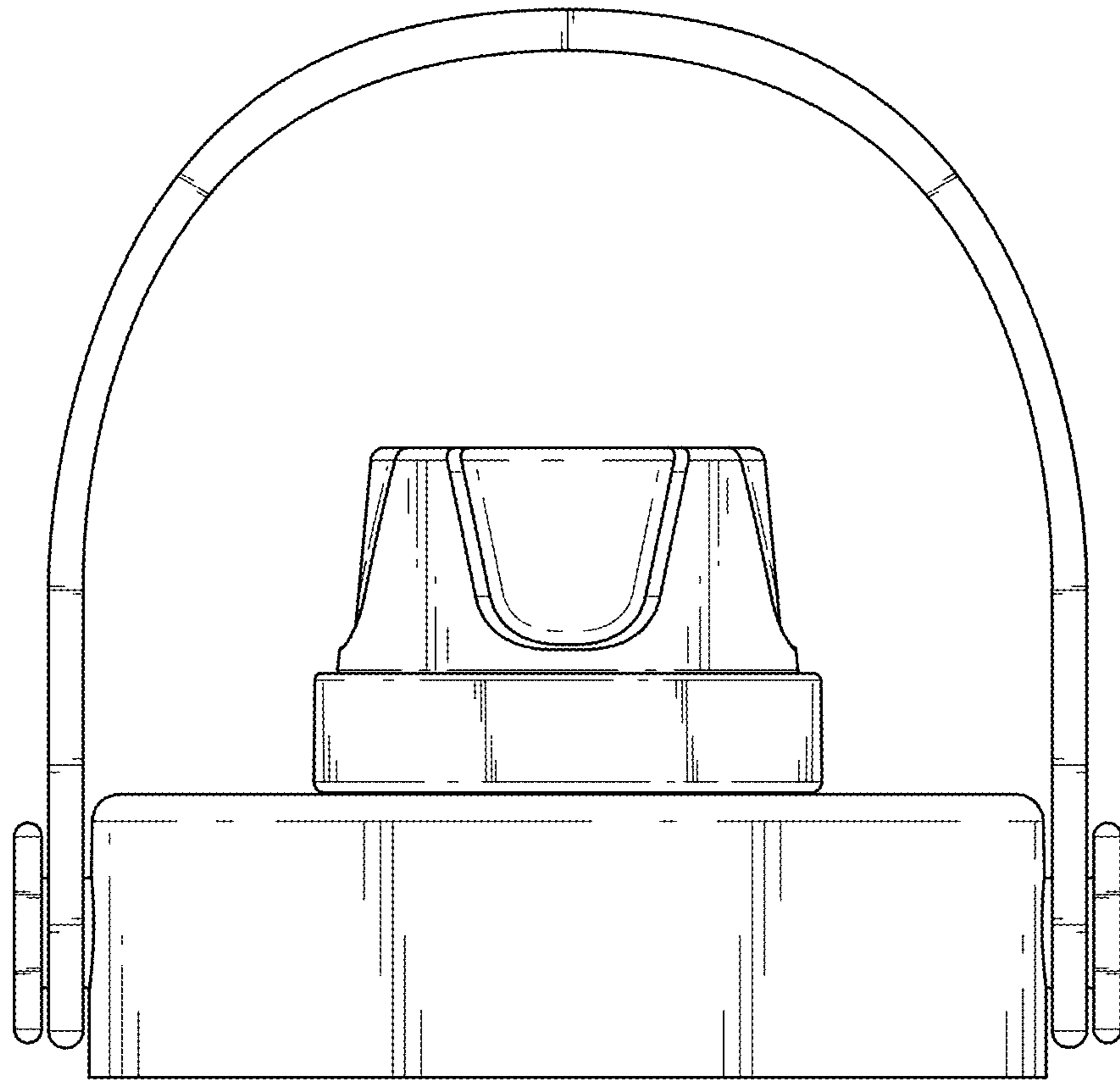


FIG. 5

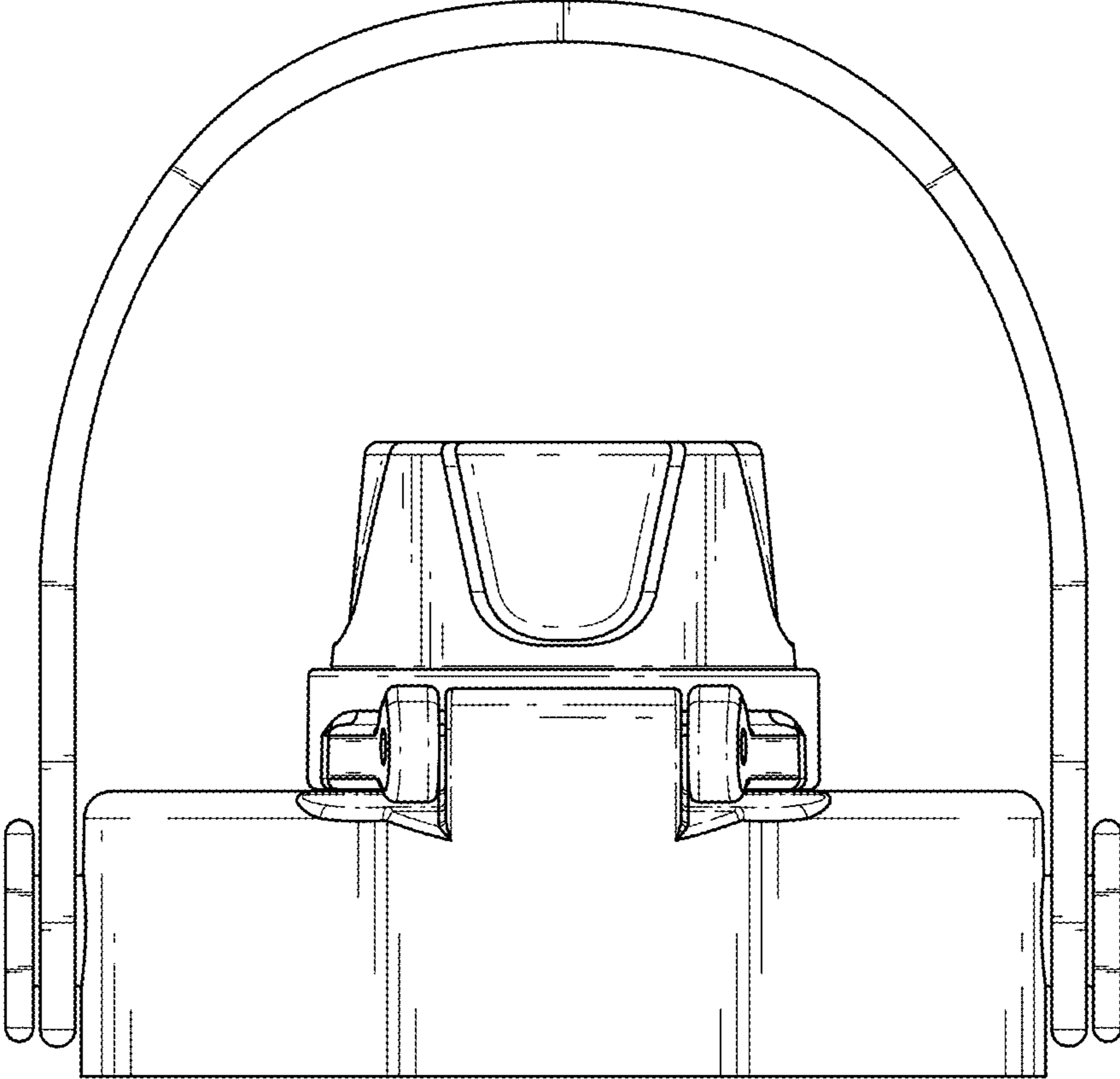


FIG. 6

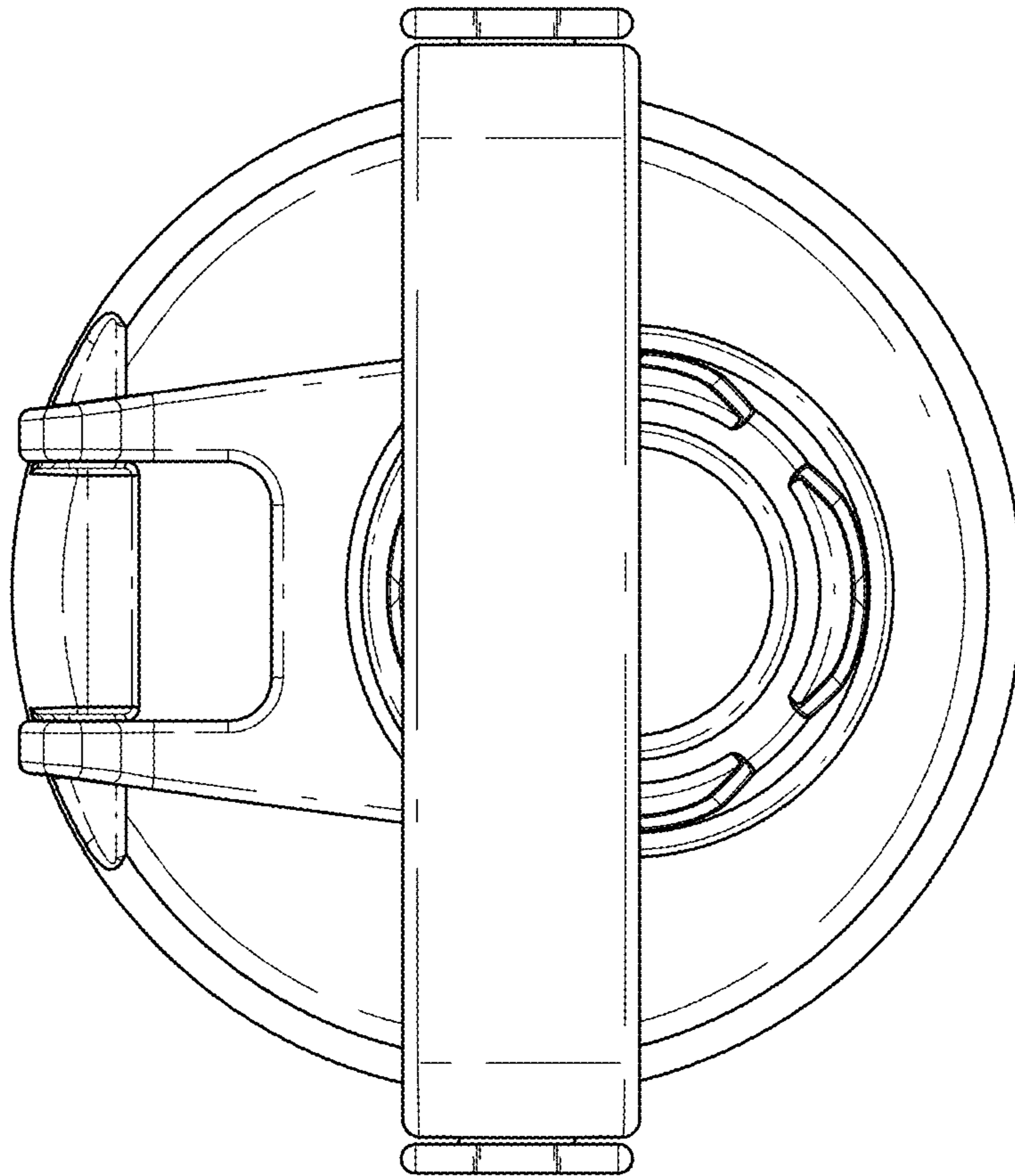


FIG. 7

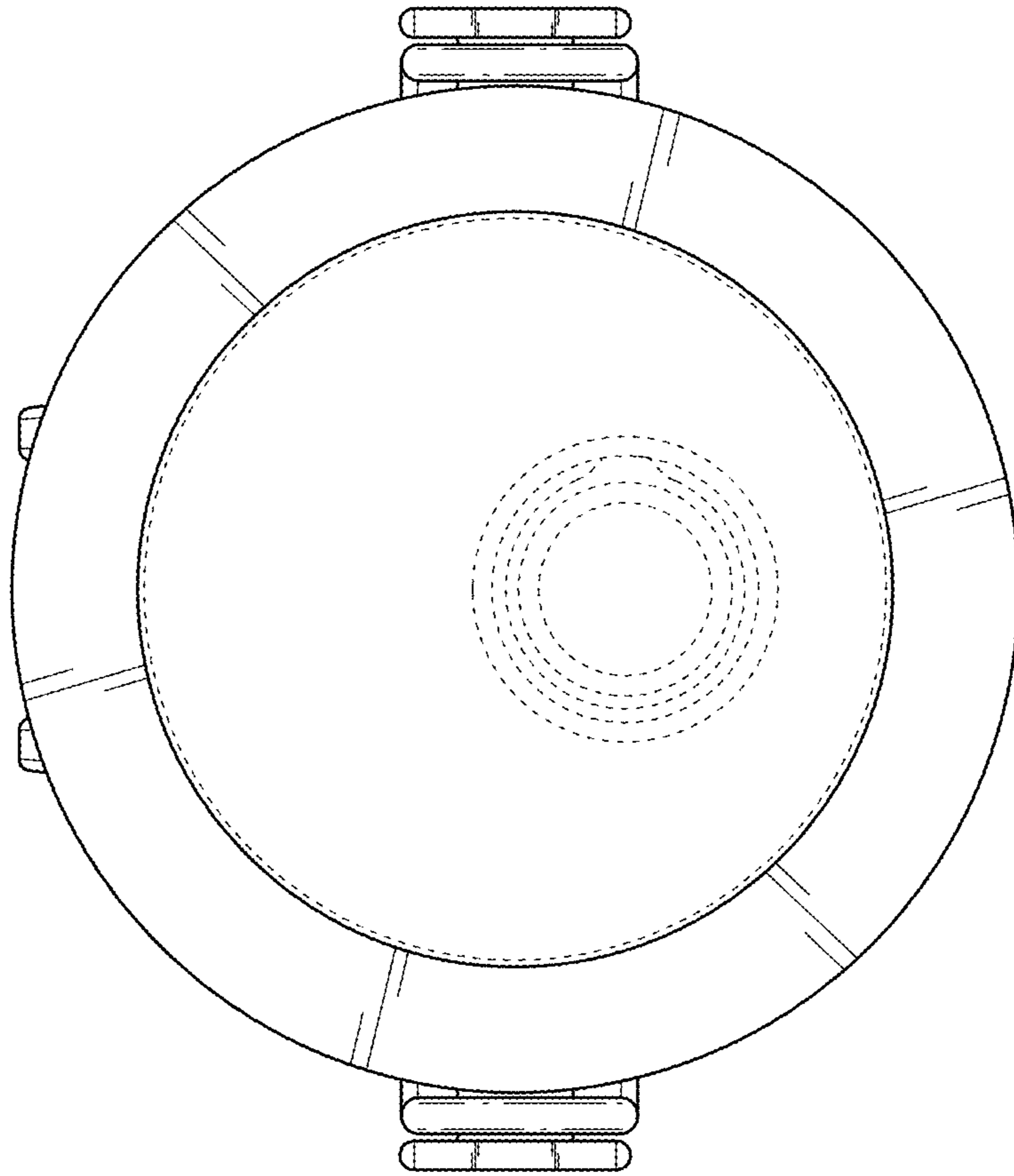


FIG. 8