



US00D870507S

(12) **United States Design Patent**
Whaley et al.

(10) **Patent No.:** **US D870,507 S**
(45) **Date of Patent:** **** Dec. 24, 2019**

(54) **STORAGE CONTAINER LID**
(71) Applicants: **Brenda Whaley**, Virginia Beach, VA
(US); **Russell Dye**, Virginia Beach, VA
(US)

(72) Inventors: **Brenda Whaley**, Virginia Beach, VA
(US); **Russell Dye**, Virginia Beach, VA
(US)

(**) Term: **15 Years**

(21) Appl. No.: **29/643,149**

(22) Filed: **Apr. 4, 2018**

(51) **LOC (12) Cl.** **07-02**

(52) **U.S. Cl.**
USPC **D7/391**

(58) **Field of Classification Search**
USPC D7/391, 392, 392.1, 393, 397, 420, 434,
D7/443, 629; D9/414, 424-432, 435,
D9/443, 451-452
CPC A47J 36/027; A47J 36/06; A47J 37/10;
A47J 37/101; B65D 21/0209; B65D
43/00; B65D 43/02; B65D 43/022; B65D
43/161; B65D 43/162; B65D 45/00;
B65D 45/16; B65D 45/18; B65D 51/16;
B65D 51/1683; B65D 51/1688; B65D
51/1694; B65F 1/1615
See application file for complete search history.

(56) **References Cited**

U.S. PATENT DOCUMENTS

D367,609 S * 3/1996 Frank D7/629
D427,063 S * 6/2000 May D9/425
D448,288 S * 9/2001 Zettle D9/423
D501,754 S * 2/2005 Munson B65D 21/0222
D7/392.1
D541,648 S * 5/2007 Bennett D9/425
D551,496 S * 9/2007 Ablo D7/392.1
D557,993 S * 12/2007 Stamper D7/629

D646,923 S * 10/2011 Chhay B65D 21/0222
D7/391
D735,524 S * 8/2015 Holding D7/392.1
D821,808 S * 7/2018 Diner D7/391

* cited by examiner

Primary Examiner — Ricky Pham

(57) **CLAIM**

We claim the ornamental design for a storage container lid,
as shown and described.

DESCRIPTION

FIG. 1 is an isometric view of our storage container lid
showing our new design, where the broken lines showing a
container are for illustrative purposes only and form no part
of the claimed design;

FIG. 2 is an isometric view of a storage container lid
showing our new design;

FIG. 3 is a first side view of our storage container lid;

FIG. 4 is a second side view of our storage container lid;

FIG. 5 is a third side view of our storage container lid;

FIG. 6 is a fourth side view of our storage container lid;

FIG. 7 is an exploded side view of our storage container lid
showing the frame separated from the lid, corresponding to
the view of FIG. 3;

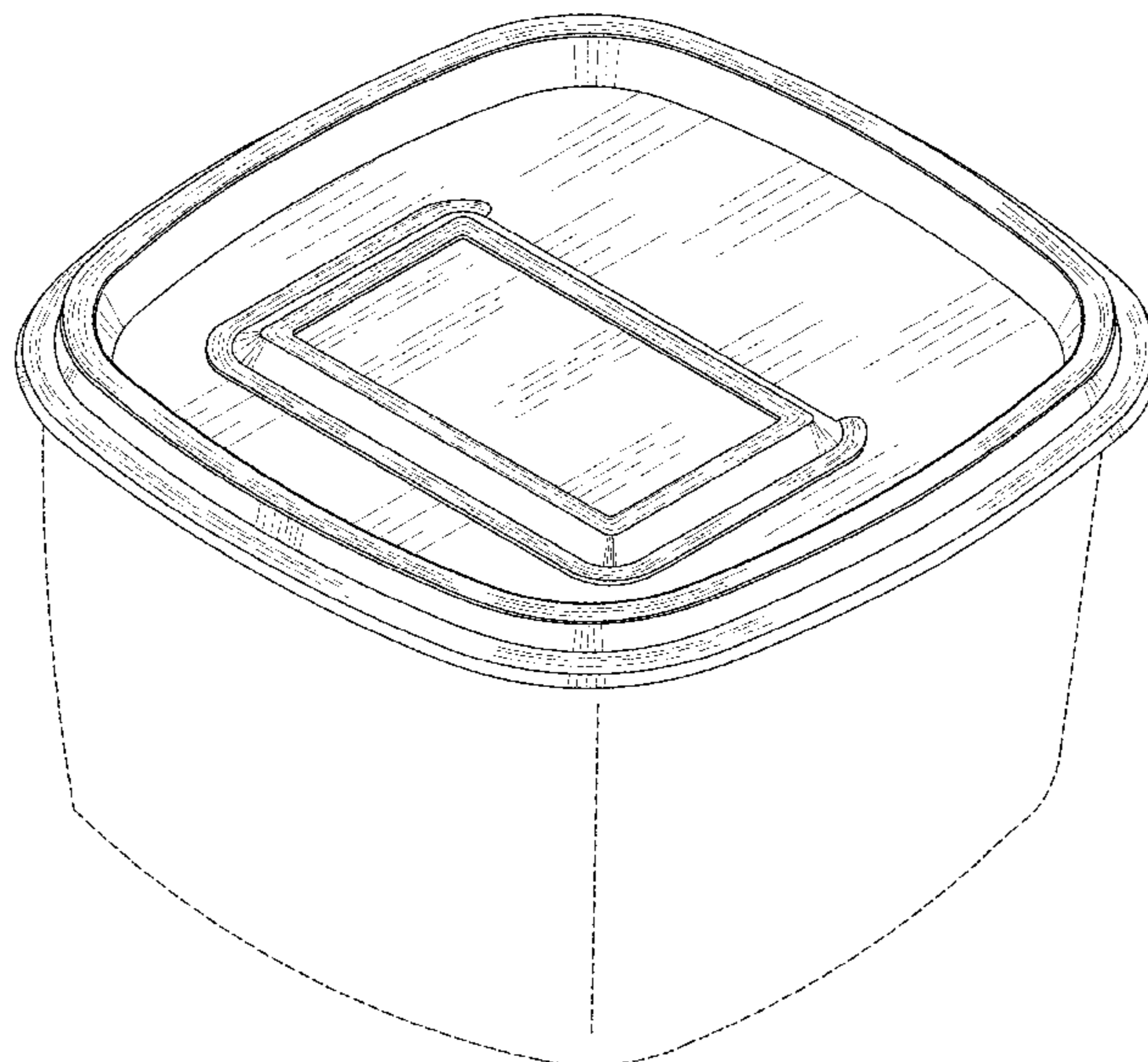
FIG. 8 is an exploded side view of our storage container lid
showing the frame separated from the lid, corresponding to
the view of FIG. 4;

FIG. 9 is an exploded side view of our storage container lid
showing the frame separated from the lid, corresponding to
the view of FIG. 5;

FIG. 10 is an exploded side view of our storage container lid
showing the frame separated from the lid, corresponding to
the view of FIG. 6;

FIG. 11 is a top plan view of our storage container lid; and,
FIG. 12 is a bottom plan view of our storage container lid.

1 Claim, 8 Drawing Sheets



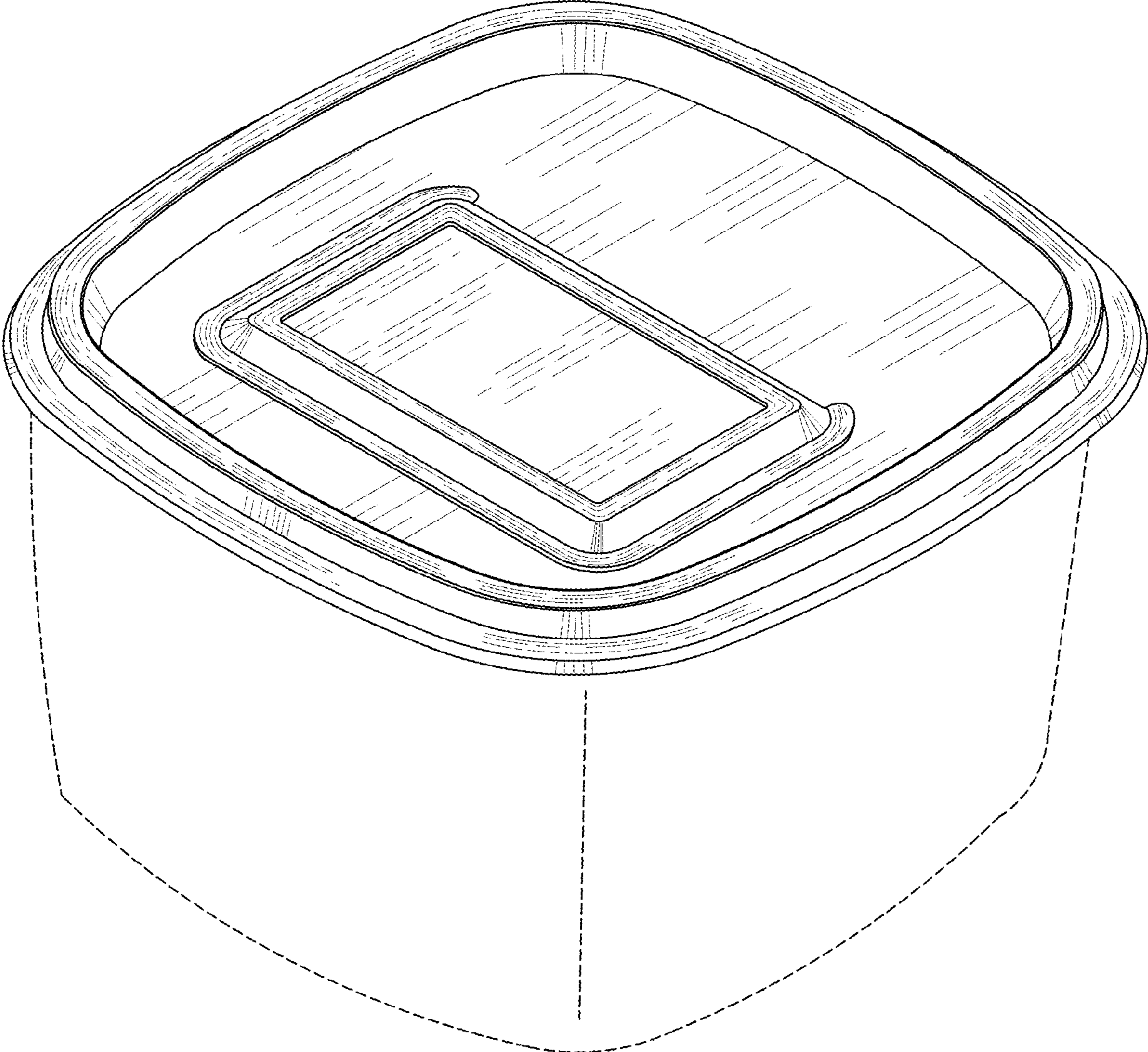


FIG. 1

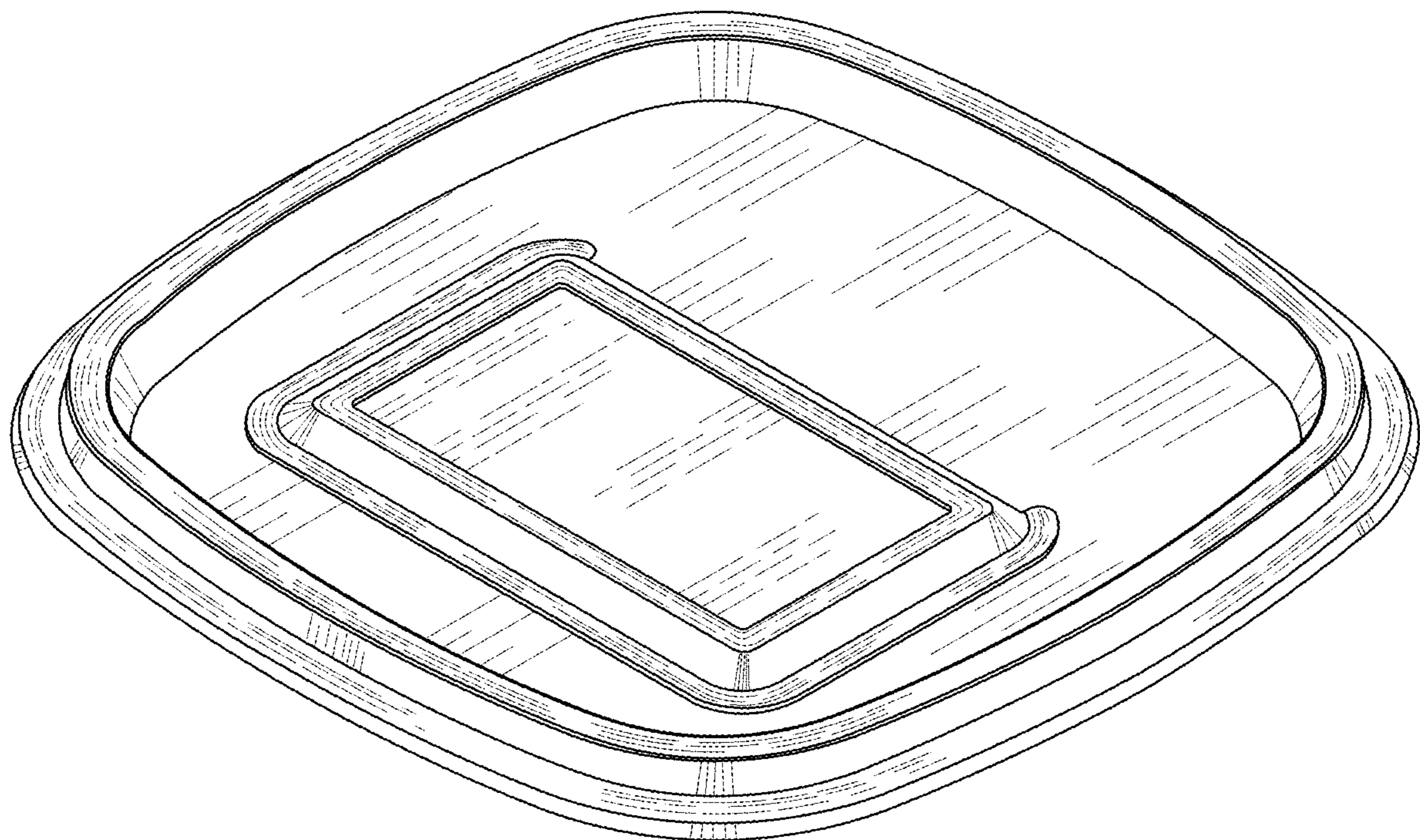


FIG. 2

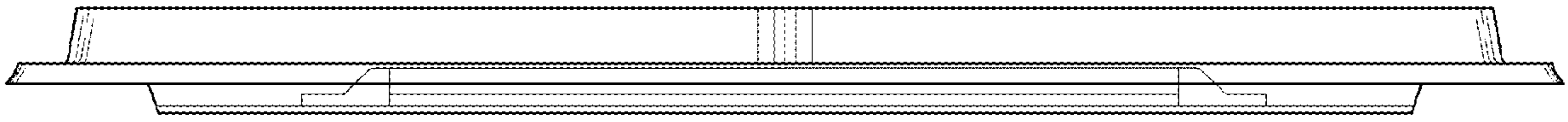


FIG. 3

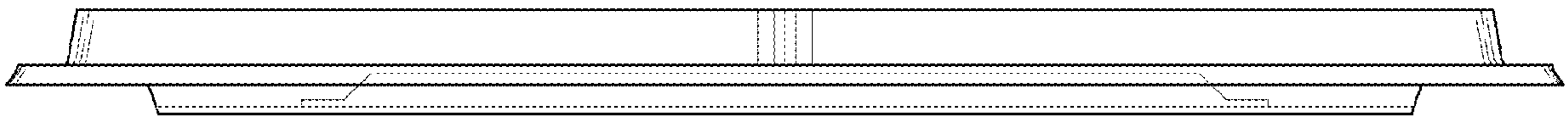


FIG. 4



FIG. 5

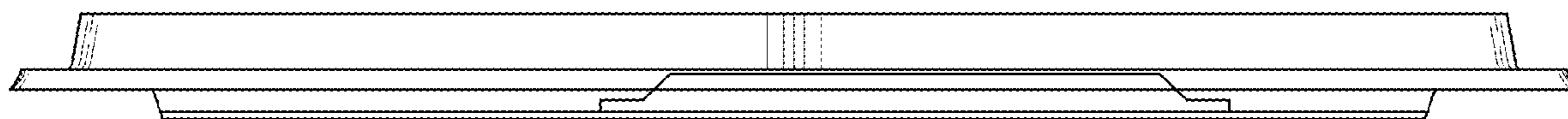


FIG. 6

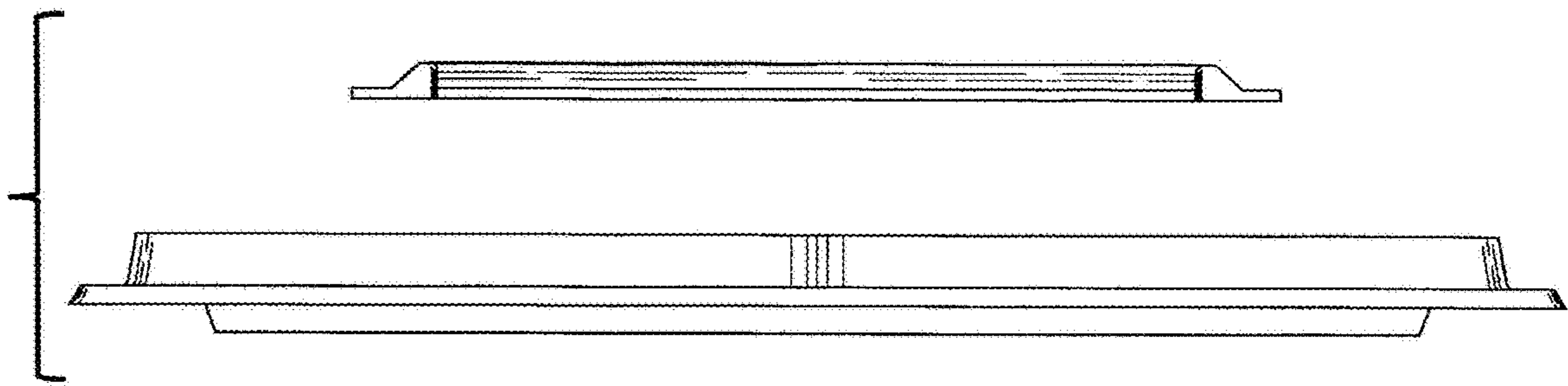


FIG. 7

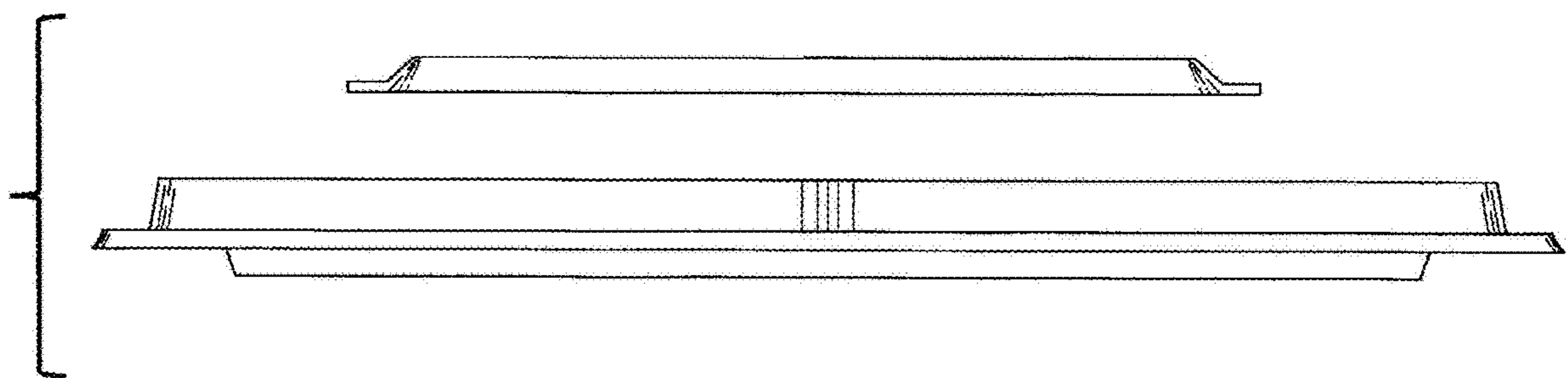


FIG. 8

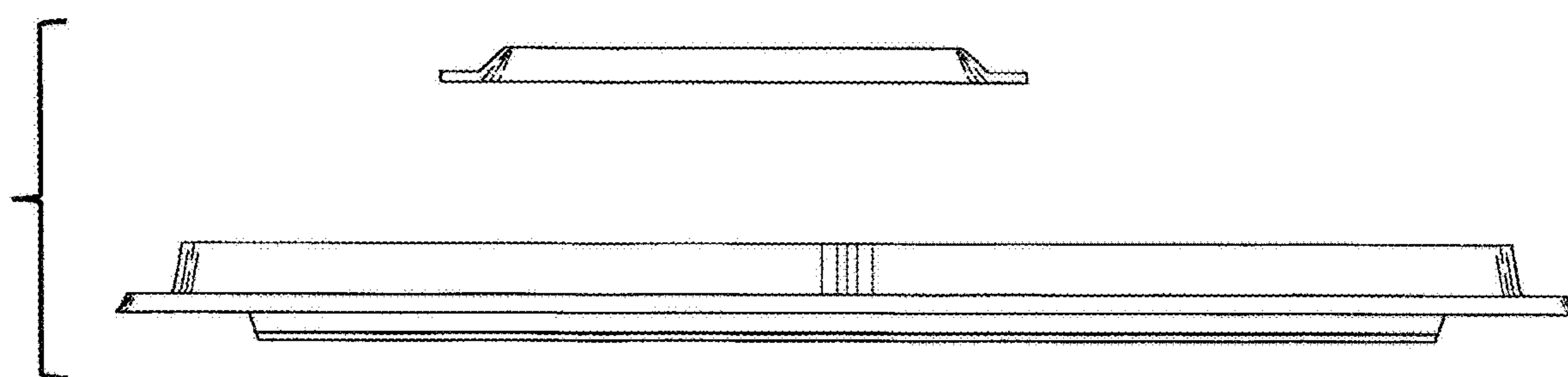


FIG. 9

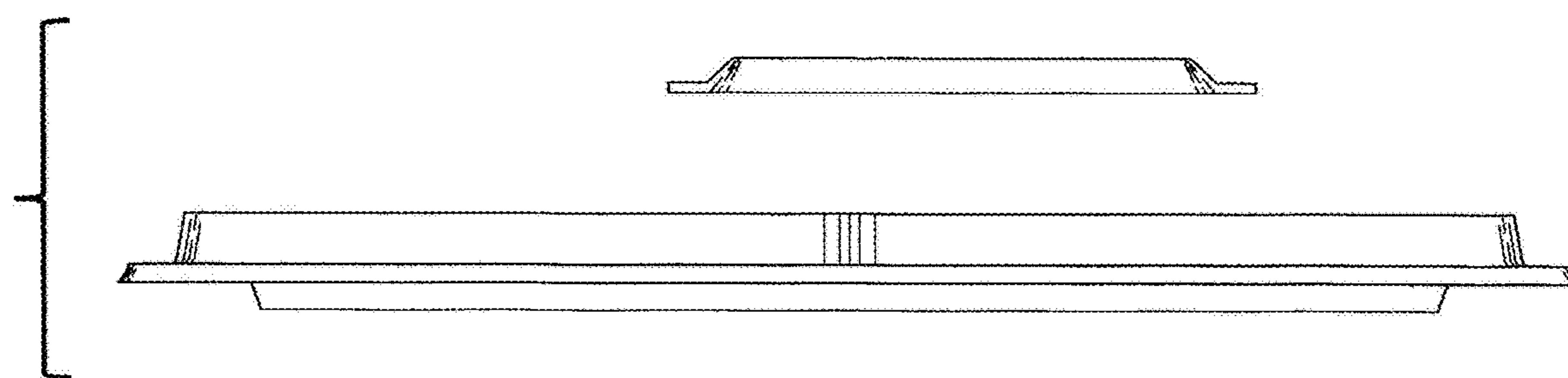


FIG. 10

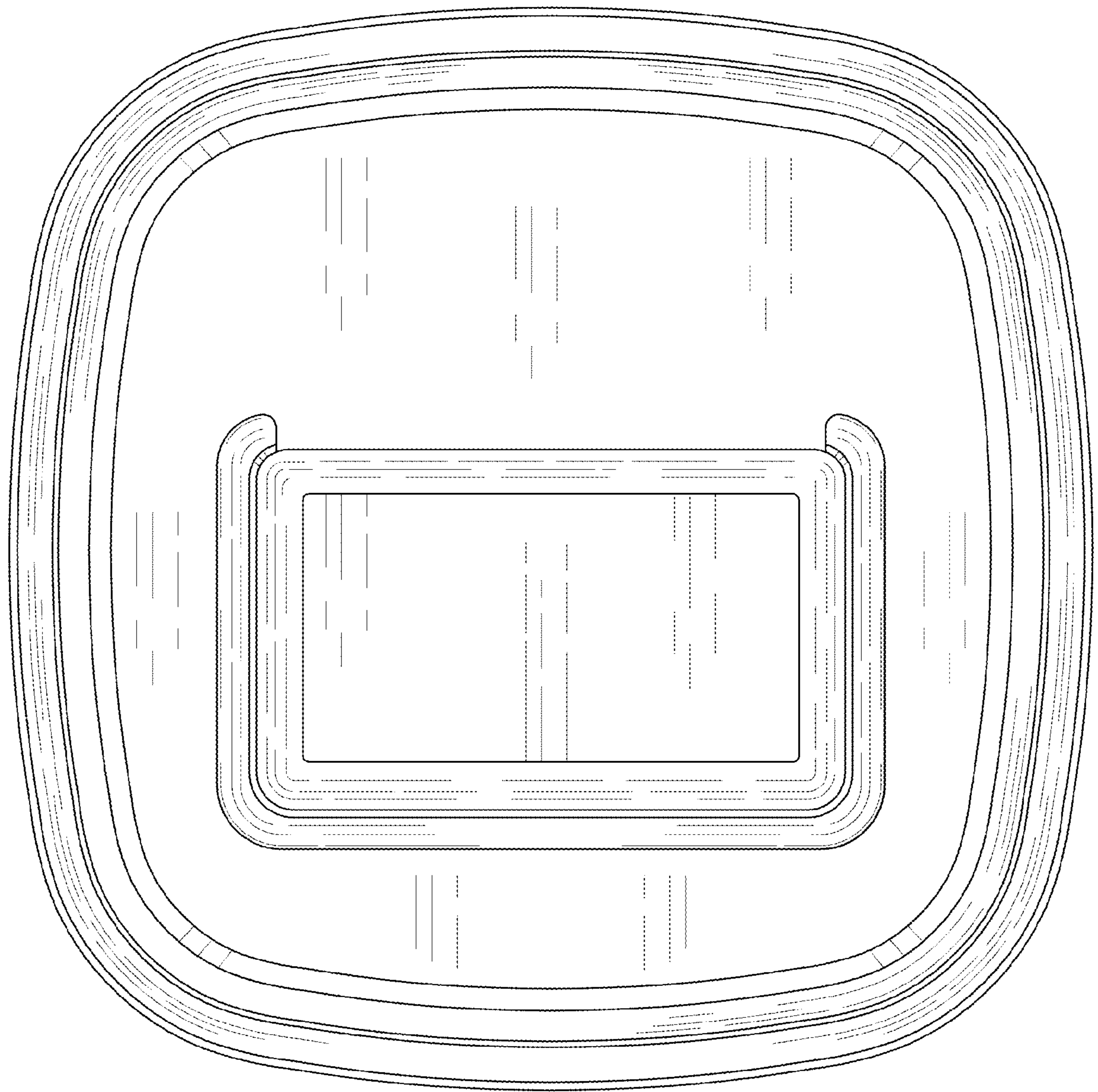


FIG. 11

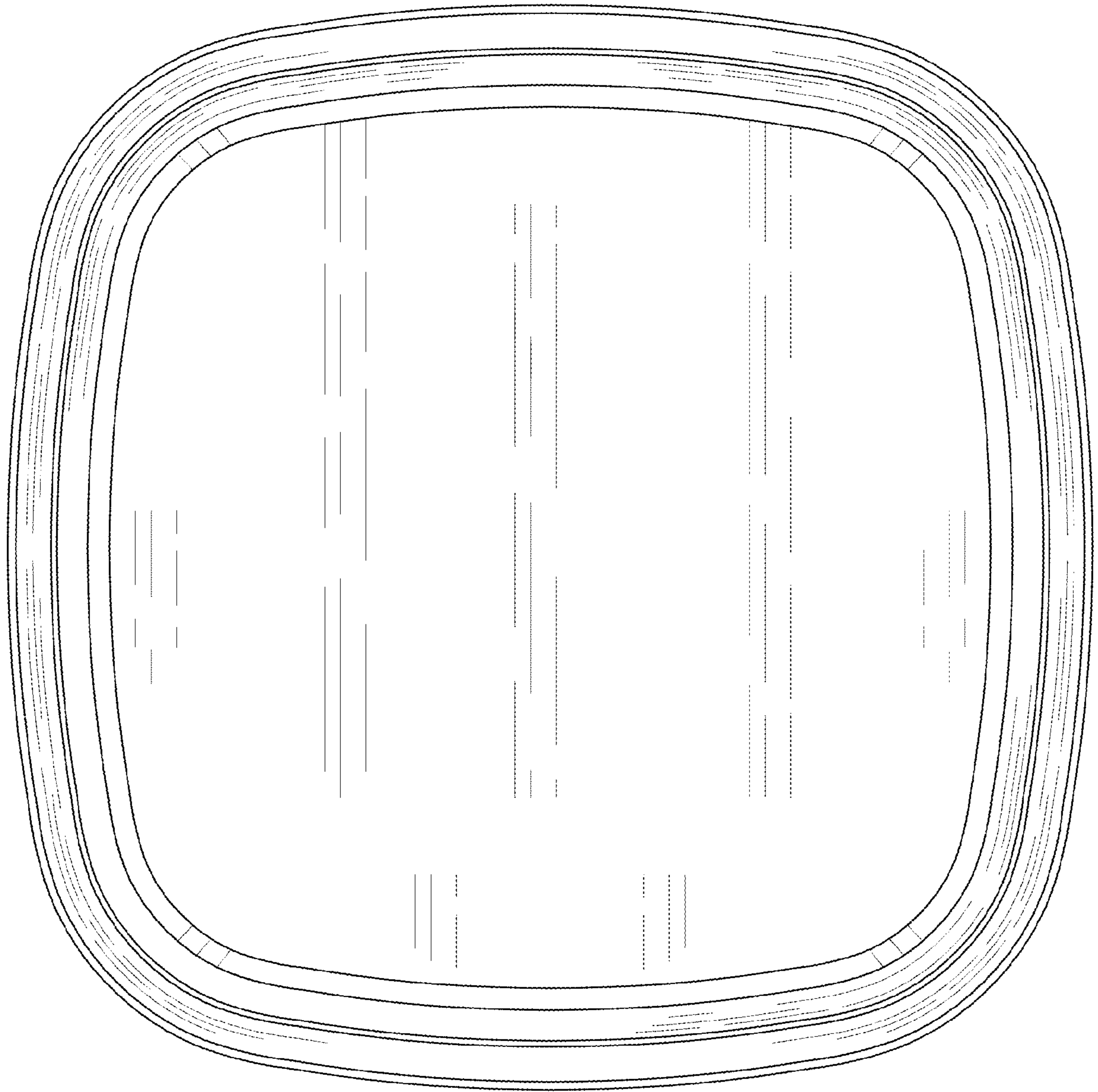


FIG. 12