



US00D870506S

(12) **United States Design Patent** (10) **Patent No.:** **US D870,506 S**
Mutch et al. (45) **Date of Patent:** **** Dec. 24, 2019**

- (54) **TIMED EGG COOKING DEVICE**
- (71) Applicants: **Martin Mutch**, New York, NY (US);
Sunny Kim, Douglaston, NY (US);
Jeffrey Doong, San Jose, CA (US)
- (72) Inventors: **Martin Mutch**, New York, NY (US);
Sunny Kim, Douglaston, NY (US);
Jeffrey Doong, San Jose, CA (US)
- (73) Assignee: **HELEN OF TROY LIMITED**, St. Michael (BB)
- (**) Term: **15 Years**
- (21) Appl. No.: **29/644,177**
- (22) Filed: **Apr. 16, 2018**
- (51) **LOC (12) Cl.** **07-02**
- (52) **U.S. Cl.**
USPC **D7/354**
- (58) **Field of Classification Search**
USPC D7/323, 354-361, 370, 372, 376, 378,
D7/386, 500, 503; D9/746
CPC A01K 41/02; A01K 41/023; A01K 41/026;
A01K 41/06; A21B 5/02; A21B 5/026;
A21B 5/04; A23B 5/00; A23B 5/005;
A23B 5/0052; A47J 27/00; A47J 27/004;
A47J 29/00; A47J 29/02; A47J 29/04;
A47J 29/06; A47J 36/025; A47J 36/06;
A47J 36/12
- See application file for complete search history.

- (56) **References Cited**
- U.S. PATENT DOCUMENTS
- | | | | |
|---------------|---------|-------------------|----------------------|
| 3,147,689 A * | 9/1964 | Tatsunosuke | A47J 29/02
99/331 |
| D262,857 S * | 2/1982 | Ansel | D7/370 |
| D556,500 S * | 12/2007 | Spagnolo | D7/323 |
| D605,529 S * | 12/2009 | Holtrop | D9/454 |
| D629,642 S * | 12/2010 | Miller | D7/372 |
| D646,521 S * | 10/2011 | Collinson | D7/376 |
| D728,302 S * | 5/2015 | Vu | D7/376 |
| D794,383 S * | 8/2017 | Kim | D7/376 |
- * cited by examiner

Primary Examiner — Ricky Pham

(57) **CLAIM**

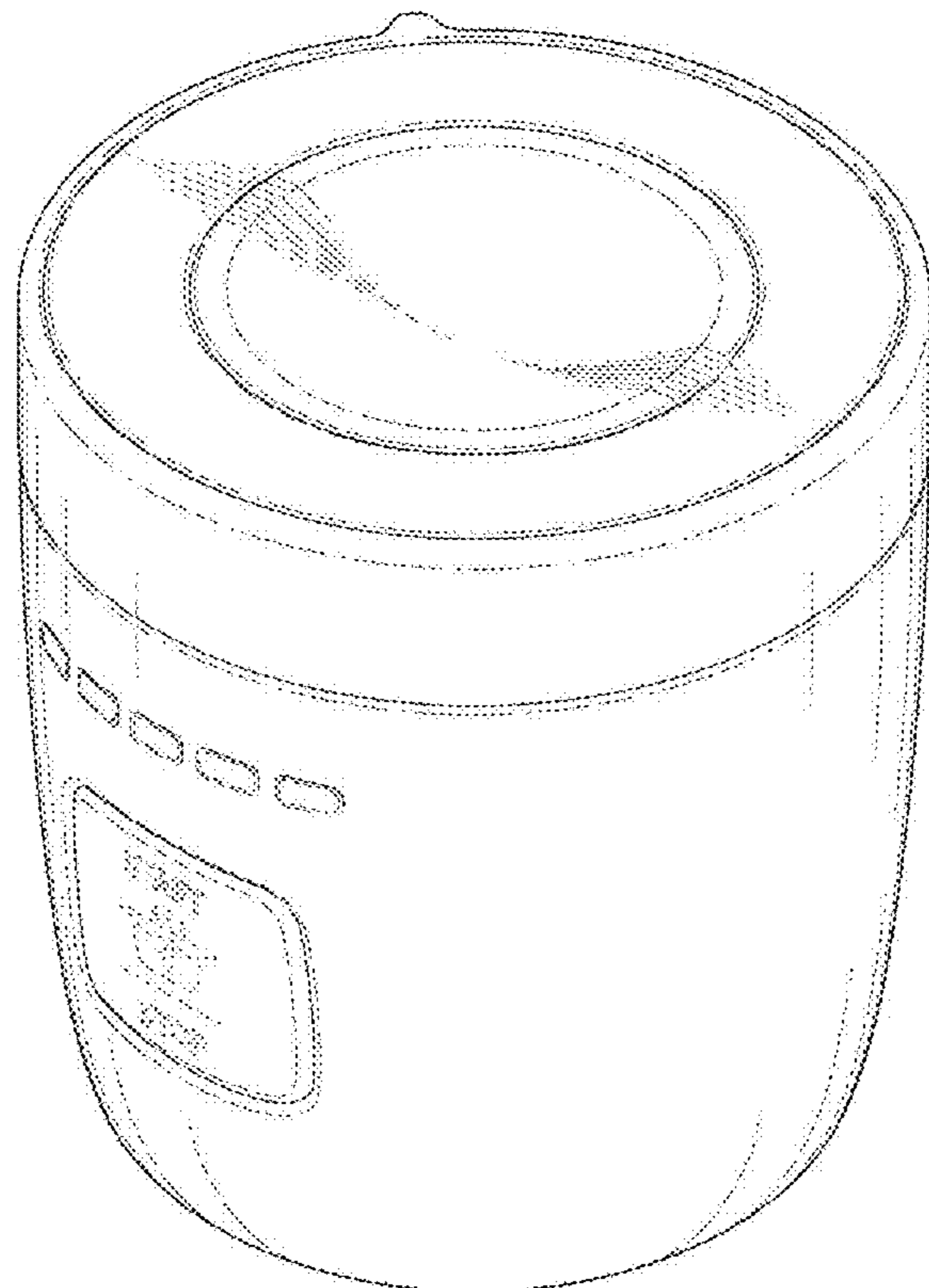
The ornamental design for a timed egg cooking device, as shown, and described.

DESCRIPTION

FIG. 1 is a perspective view of the timed egg cooking device;
FIG. 2 is a front elevation view thereof;
FIG. 3 is a left side view thereof;
FIG. 4 is a rear elevation view thereof;
FIG. 5 is a right side view thereof;
FIG. 6 is a top view thereof; and,
FIG. 7 is a bottom view thereof.

The broken lines represent unclaimed environment and form no part of the claimed design.

1 Claim, 7 Drawing Sheets



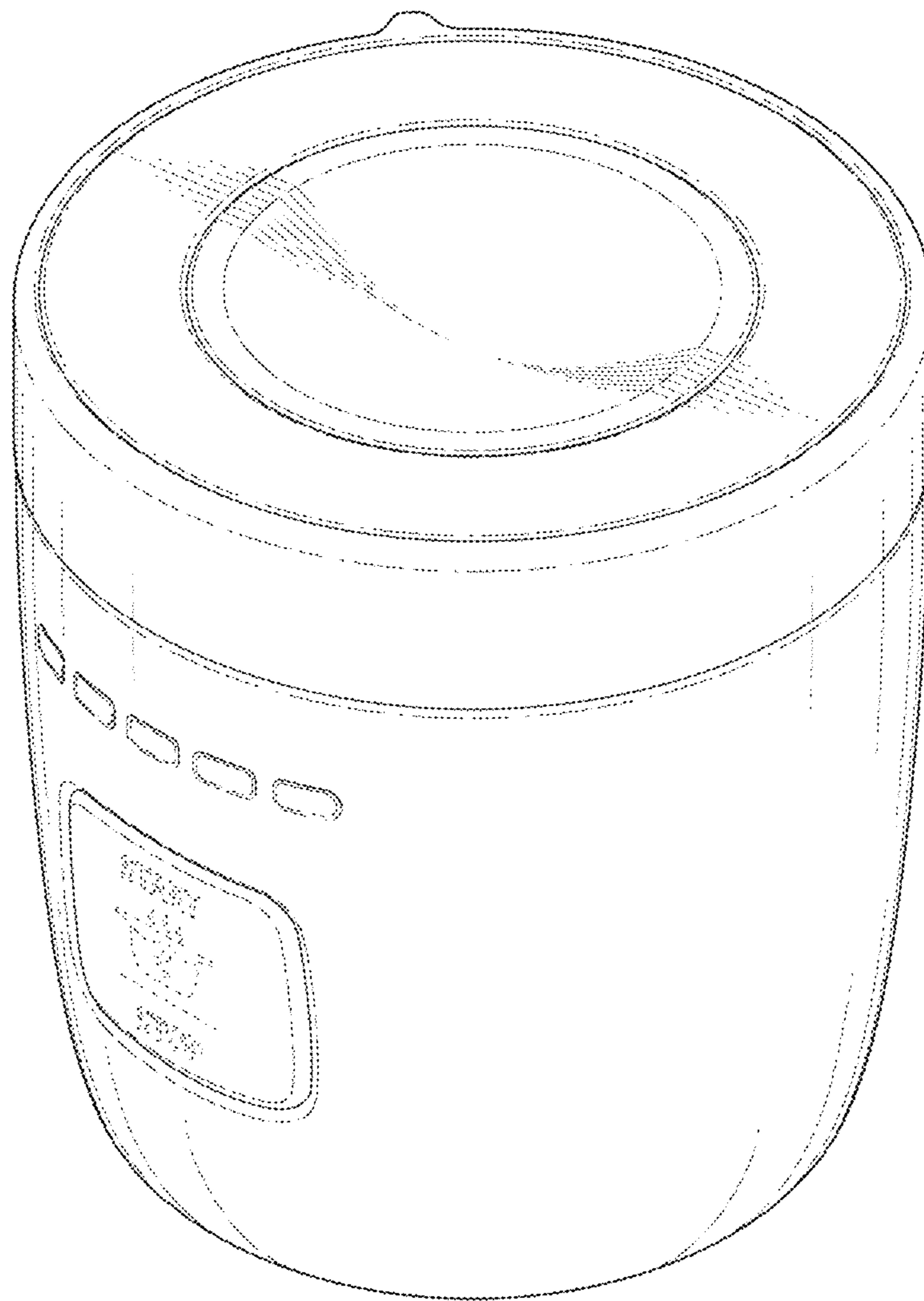


FIG. 1

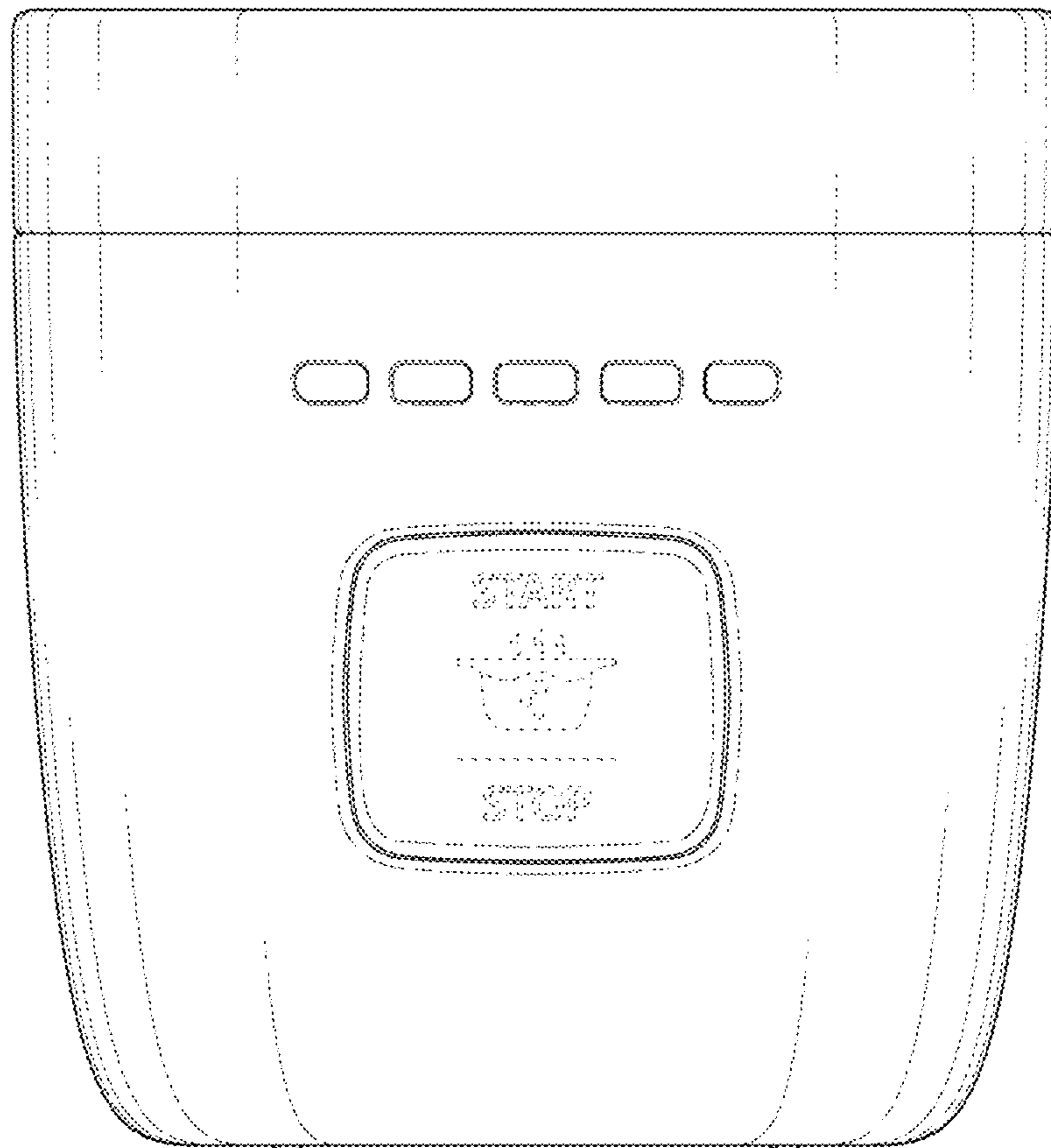


FIG. 2

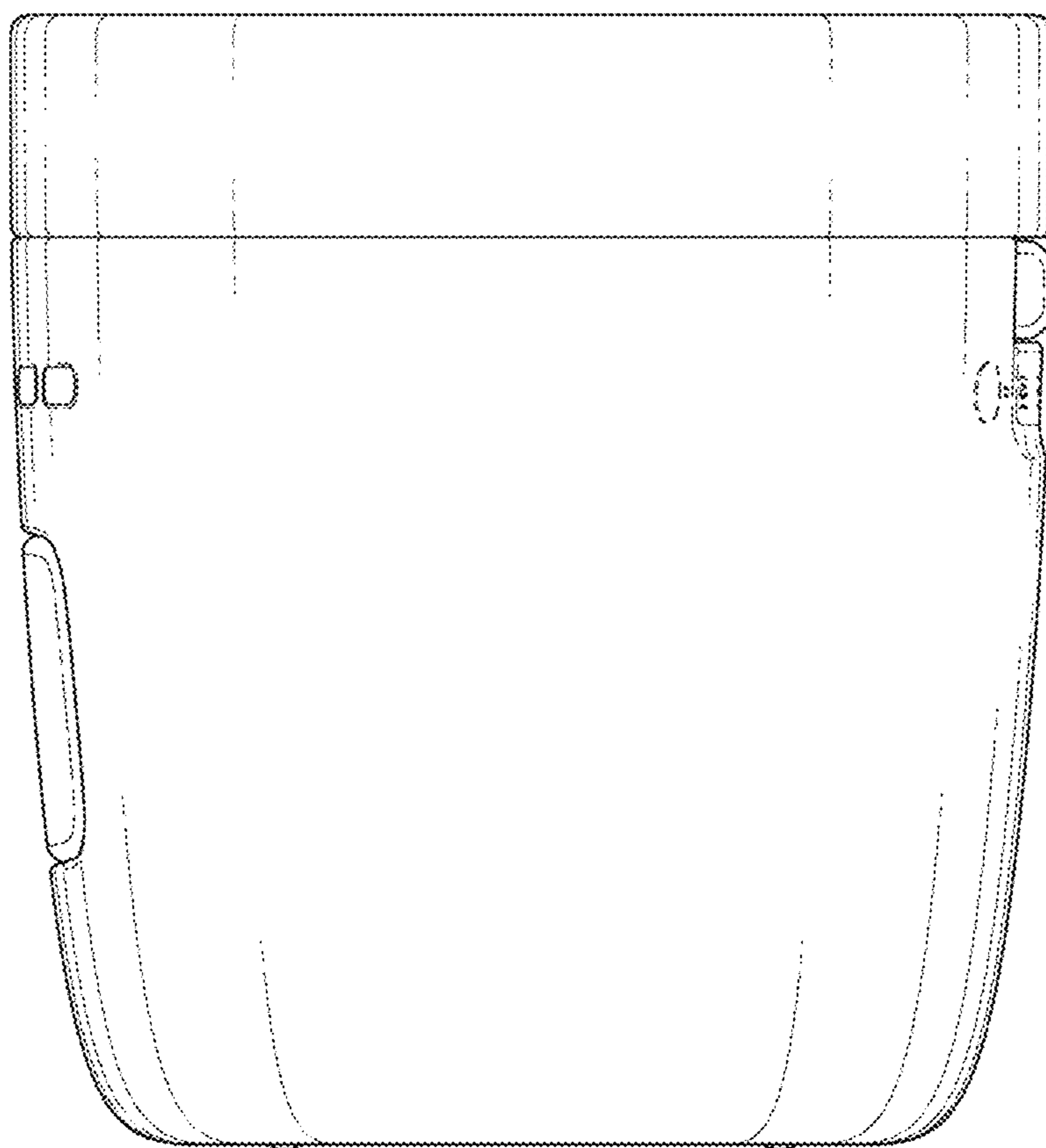


FIG. 3

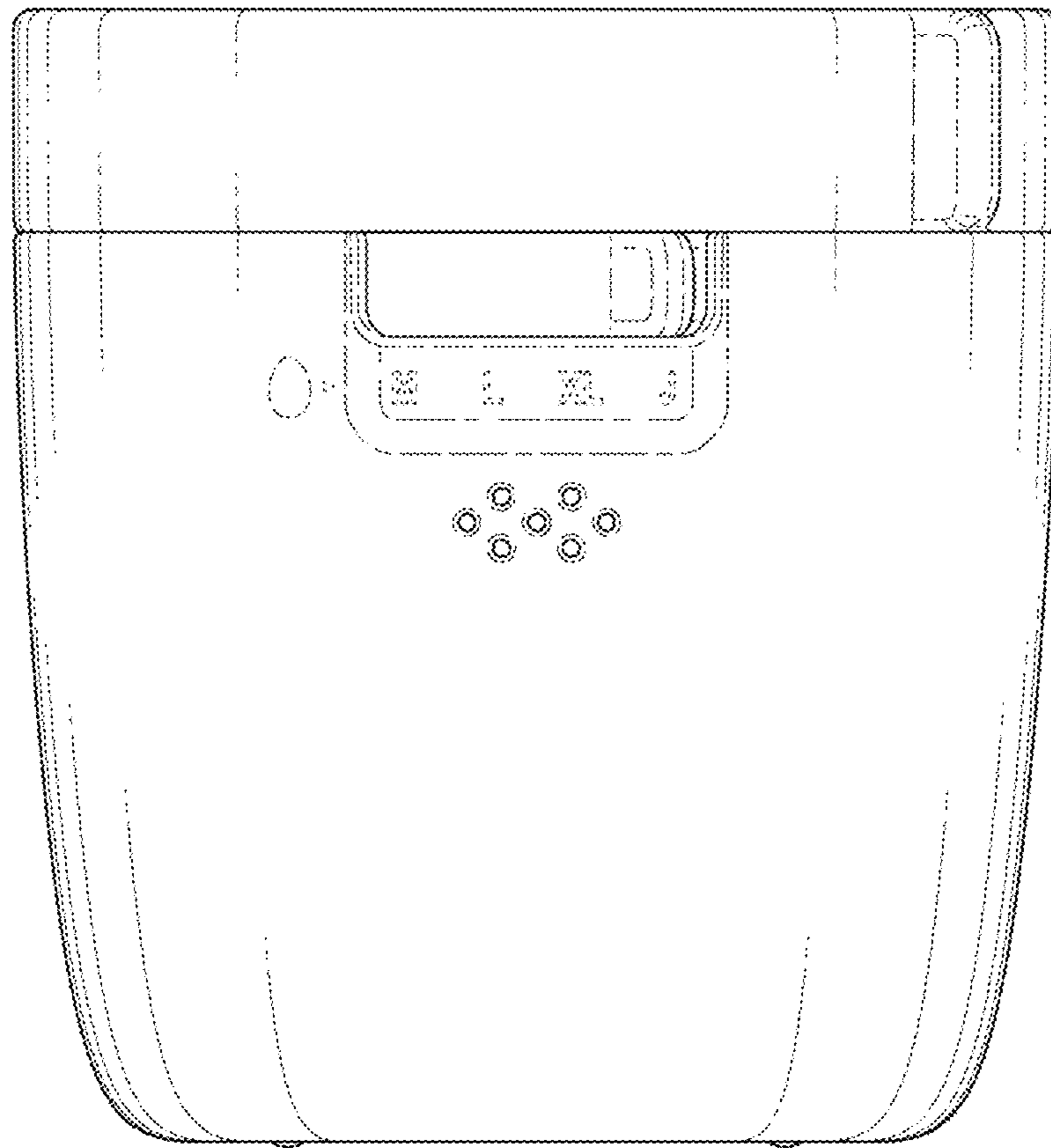


FIG. 4

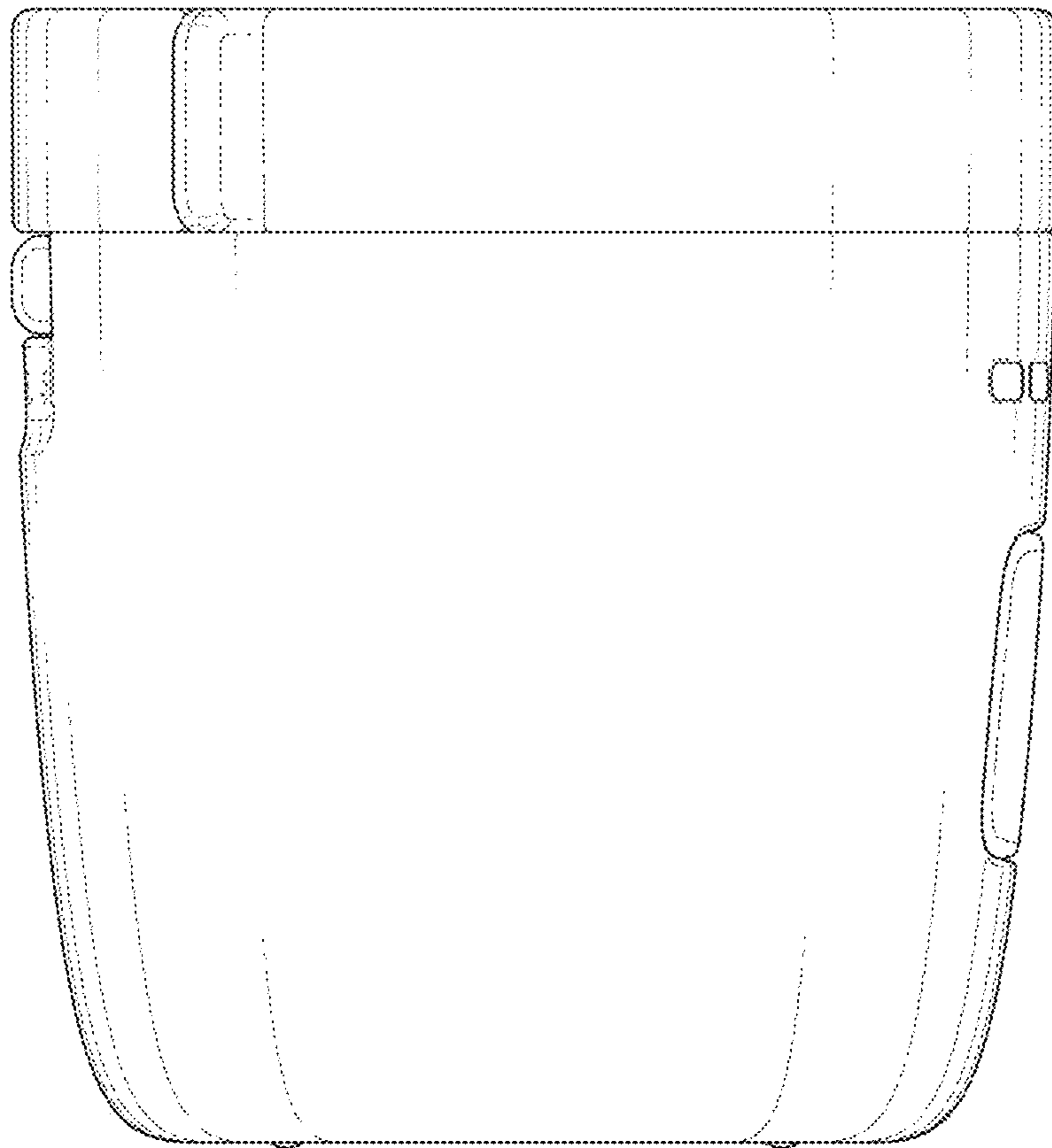


FIG. 5

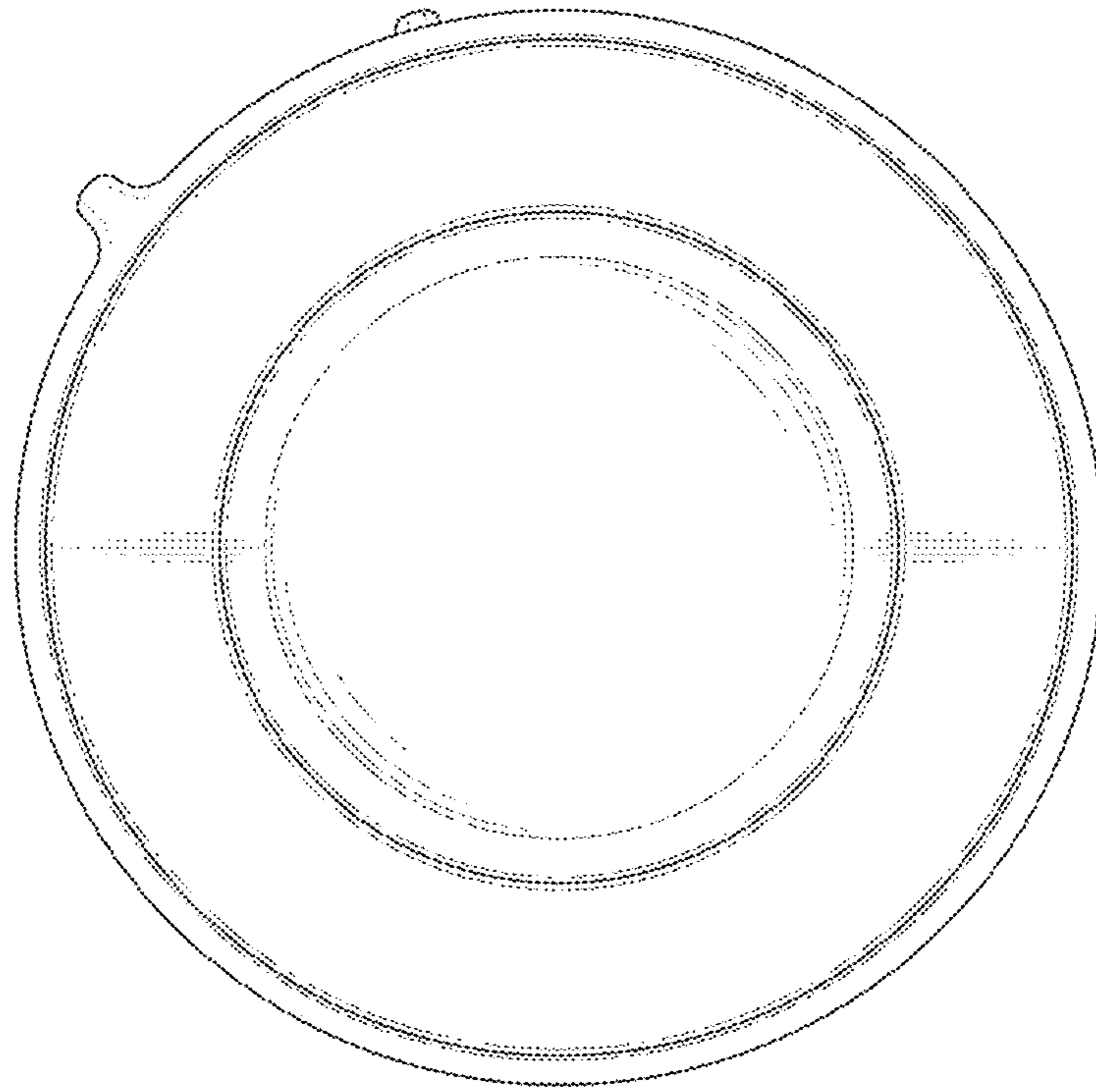


FIG. 6

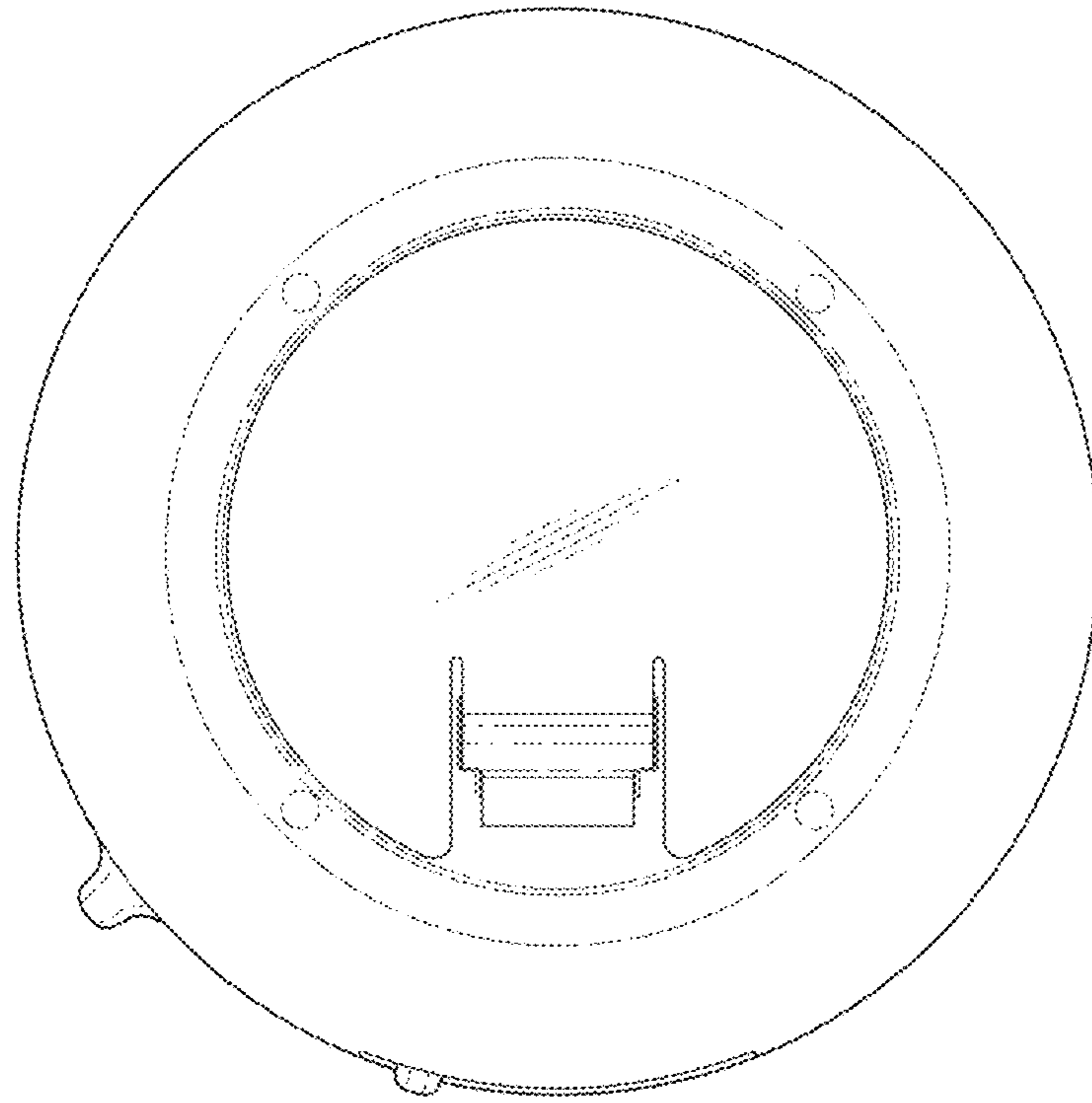


FIG. 7