



US00D870505S

(12) **United States Design Patent** (10) **Patent No.:** **US D870,505 S**
Chevalier et al. (45) **Date of Patent:** **** Dec. 24, 2019**

(54) **SLIDE OUT KITCHEN**

(71) Applicant: **Dometic Sweden AB**, Solna (SE)

(72) Inventors: **Nicolas Chevalier**, Camberwell (AU);
Samuele Meda, Solna (SE); **Joakim Ahlström**, Täby (SE)

(73) Assignee: **Dometic Sweden AB**, Solna (SE)

(**) Term: **15 Years**

(21) Appl. No.: **29/631,233**

(22) Filed: **Dec. 28, 2017**

(30) **Foreign Application Priority Data**

Jun. 29, 2017 (AU) 201713974

(51) **LOC (12) Cl.** **07-02**

(52) **U.S. Cl.**
USPC **D7/346; D23/272**

(58) **Field of Classification Search**
USPC D7/332-337, 351-353, 402-409,
D7/339-340, 346-349, 362-367;
D23/271-272; D6/699.2

(Continued)

(56) **References Cited**

U.S. PATENT DOCUMENTS

2,180,459 A * 11/1939 Earle F24C 15/18
126/299 R
2,907,316 A * 10/1959 Windust F24C 1/16
126/24

(Continued)

FOREIGN PATENT DOCUMENTS

AU 201713974 7/2017
AU 201713975 7/2017

(Continued)

OTHER PUBLICATIONS

Transmittal Letter of Related Cases dated Oct. 4, 2018.

(Continued)

Primary Examiner — Brett Miller

(74) *Attorney, Agent, or Firm* — Middleton Reutlinger

(57) **CLAIM**

The ornamental design for a slide out kitchen, as shown and described.

DESCRIPTION

FIG. 1 is an upper perspective view of a first slide out kitchen design;

FIG. 2 is a top view of the slide out kitchen design of FIG. 1;

FIG. 3 is a bottom view of the slide out kitchen design of FIG. 1;

FIG. 4 is a first side view of the slide out kitchen design of FIG. 1;

FIG. 5 is a second side view of the slide out kitchen design of FIG. 1;

FIG. 6 is a front view of the slide out kitchen design of FIG. 1;

FIG. 7 is a rear view of the slide out kitchen design of FIG. 1;

FIG. 8 is an upper perspective view of the slide out kitchen design of FIG. 1 in a mounted configuration;

FIG. 9 is a second upper perspective view of the slide out kitchen design of FIG. 1 including accessories shown in broken line;

FIG. 10 is an upper perspective view of a second slide out kitchen design having accessories;

FIG. 11 is a top view of the slide out kitchen design of FIG. 10;

FIG. 12 is a bottom view of the slide out kitchen design of FIG. 10;

FIG. 13 is a first side view of the slide out kitchen design of FIG. 10;

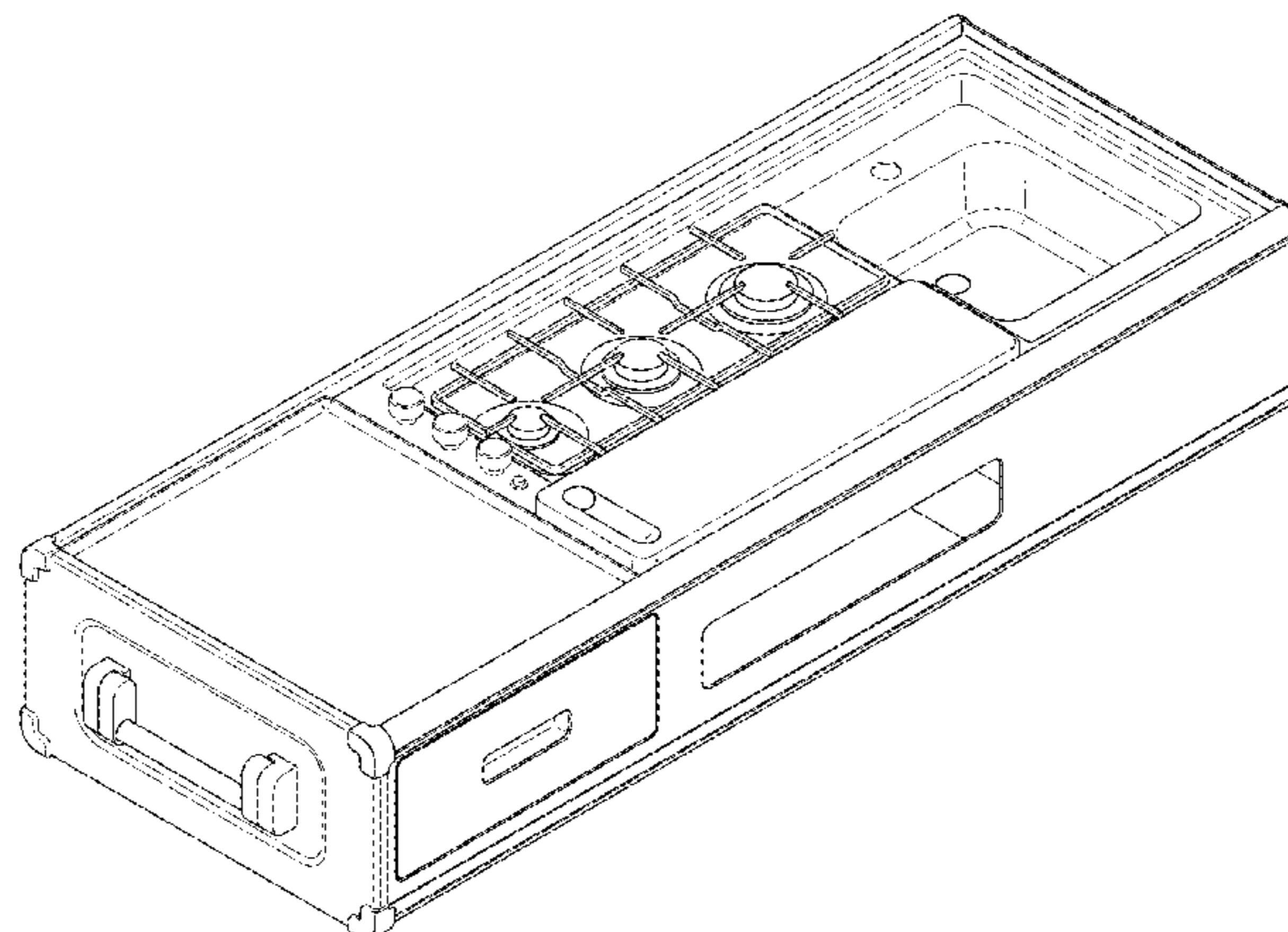
FIG. 14 is a second side view of the slide out kitchen design of FIG. 10;

FIG. 15 is a front view of the slide out kitchen design of FIG. 10;

FIG. 16 is a rear view of the slide out kitchen design of FIG. 10; and,

FIG. 17 is an upper perspective view of the slide out kitchen design of FIG. 10 in a mounted configuration.

(Continued)



The broken line disclosure represents unclaimed portions of the slide out kitchen in which the design is embodied.

1 Claim, 17 Drawing Sheets

(58) Field of Classification Search

CPC A47J 37/07-0781; A47J 37/0786; A47J 33/00; A47J 37/067; A47J 37/0676; A23B 4/044-056; F24B 1/202; F24B 1/205; F24C 15/18; A47B 77/00-08
See application file for complete search history.

(56) References Cited

U.S. PATENT DOCUMENTS

D191,250 S * 8/1961 Pappas 126/37 R
3,472,219 A * 10/1969 Roy A47B 77/022
126/37 R
6,098,346 A 8/2000 Miller et al.
6,213,575 B1 * 4/2001 Brin, Jr. A47B 77/04
108/147
6,334,684 B1 * 1/2002 Yoshida G03B 21/001
353/28
6,349,715 B1 * 2/2002 McBroom F24C 15/18
126/276
D472,756 S * 4/2003 Pai D7/334
6,647,978 B1 * 11/2003 Khosropour F24C 15/2085
126/299 D
D516,856 S * 3/2006 Langhammer D7/347
D548,515 S * 8/2007 Thygesen D7/347
D560,420 S * 1/2008 Roth D7/334
D578,349 S * 10/2008 Rieser D7/402
D609,960 S * 2/2010 Cutino D7/346
9,726,380 B2 8/2017 Reischmann
10,065,278 B2 * 9/2018 Jonovic B23P 19/00
2004/0026946 A1 * 2/2004 Reed, III B60P 3/0257
296/24.3
2008/0245242 A1 * 10/2008 Birdsall A47B 77/02
99/449
2009/0108718 A1 * 4/2009 Craig A47B 77/02
312/109
2013/0113343 A1 * 5/2013 Singlak A47B 77/00
312/100
2017/0290454 A1 * 10/2017 Hall A47B 77/06

FOREIGN PATENT DOCUMENTS

DE 86 11 375 U1 8/1987
DE 103 57 306 A1 7/2005
EP 3 019 060 A1 5/2016
FR 2 535 265 A1 5/1984
WO 2018/234979 A1 12/2018

OTHER PUBLICATIONS

Design U.S. Appl. No. 29/631,234 entitled "Slide Out Kitchen" filed Dec. 28, 2017.
Chinese Patent Application No. 201730679137.9 entitled "Slide Out Kitchen" filed Dec. 28, 2017.
SIPO, First Notification to Make Rectifications for Chinese Patent Application No. 201730679137.9 dated May 25, 2018.
Chinese Patent Application No. 201730678291.4 entitled "Slide Out Kitchen" filed Dec. 28, 2017.
SIPO, First Notification to Make Rectifications for Chinese Patent Application No. 201730678291.4 dated May 23, 2018.
European Design Patent Application No. 004554194 filed Dec. 17, 2017.
EUIPO, Notification of registration of Community Design No. 001463533-0001 dated Jan. 31, 2018.
EUIPO, Notification of registration of Community Design No. 001463558-0001 dated Jan. 31, 2018.
EUIPO, Notification of registration of Community Design No. 001463566-0001 dated Jan. 31, 2018.
EUIPO, Notification of registration of Community Design No. 001463574-0001 dated Jan. 31, 2018.
EUIPO, Notification of registration of Community Design No. 001463582-0001 dated Jan. 31, 2018.
EUIPO, Notification of registration of Community Design No. 001463590-0001 dated Jan. 31, 2018.
EUIPO, Notification of registration of Community Design No. 001463608-0001 and 001463609-0002 dated Jan. 31, 2018.
AU Provisional Patent Application No. 2017902347 entitled "Slide Out Kitchen" filed Jun. 20, 2017.
International Search Report and Written Opinion for International Application No. PCT/IB2018/054484, dated Oct. 12, 2018.

* cited by examiner

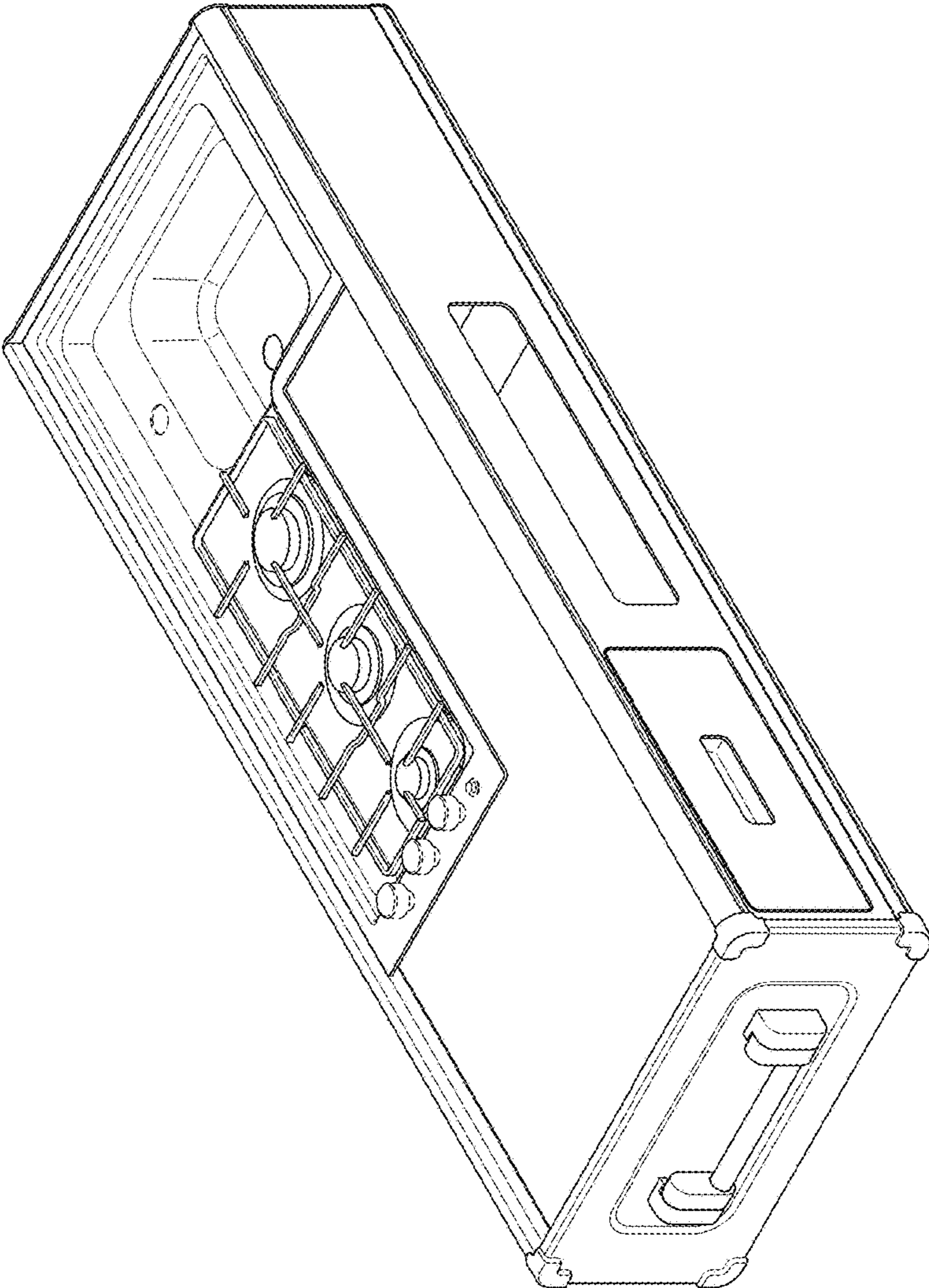


FIG. 1

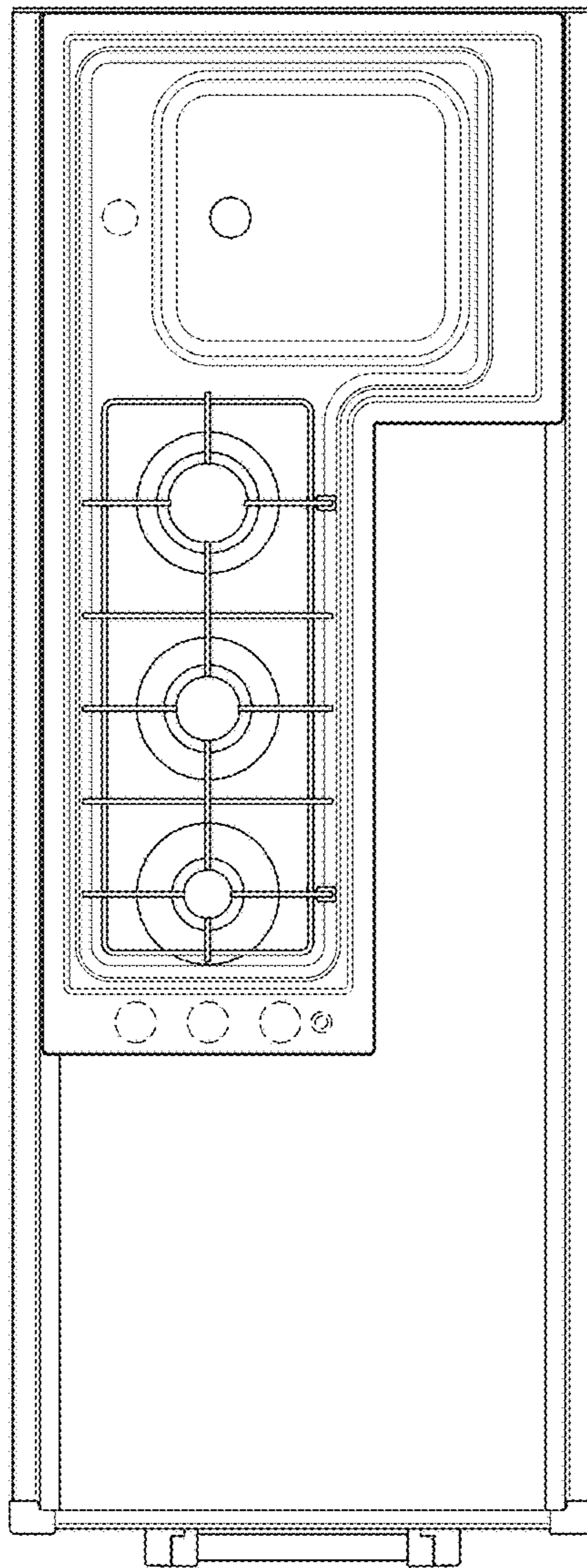


FIG. 2

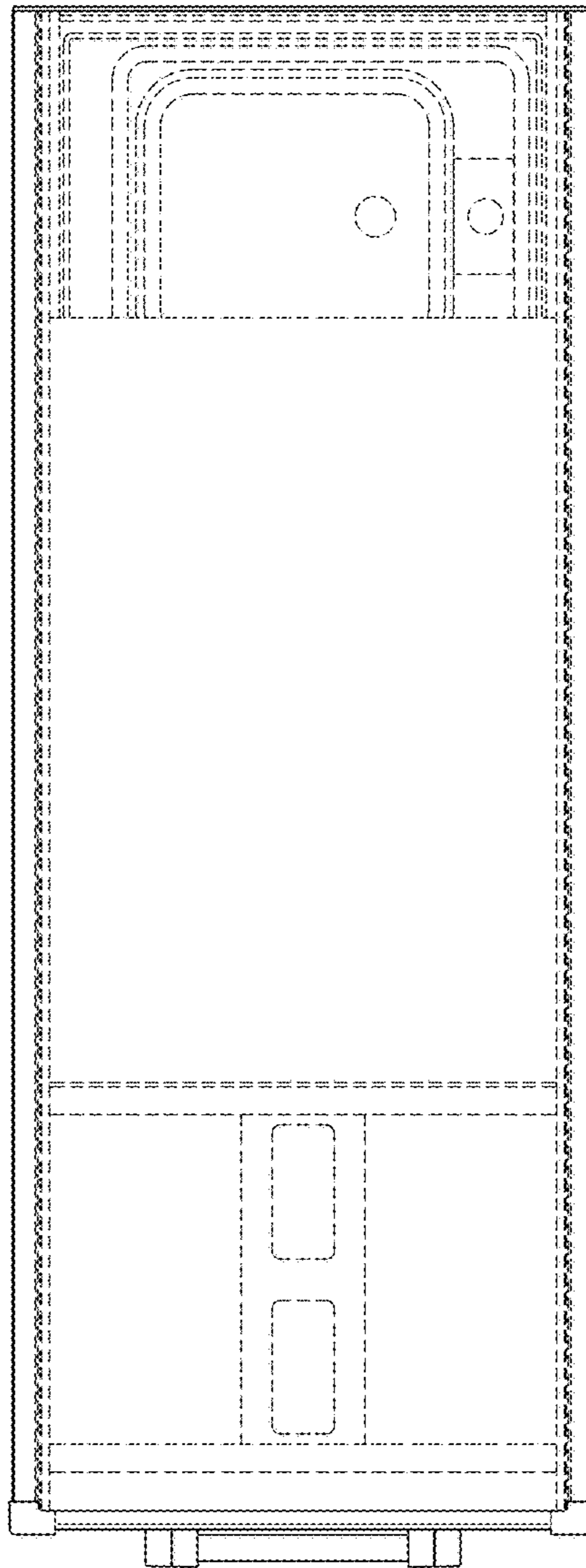


FIG. 3

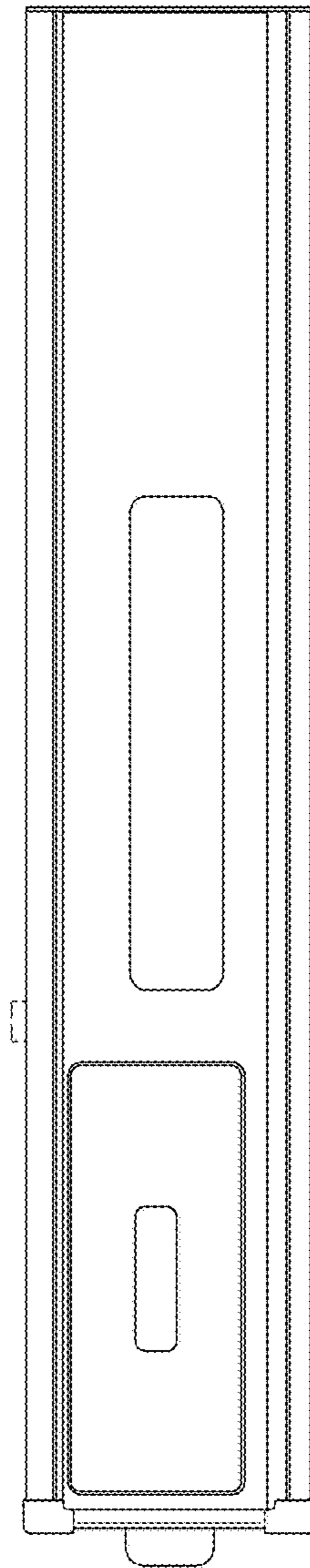


FIG. 4

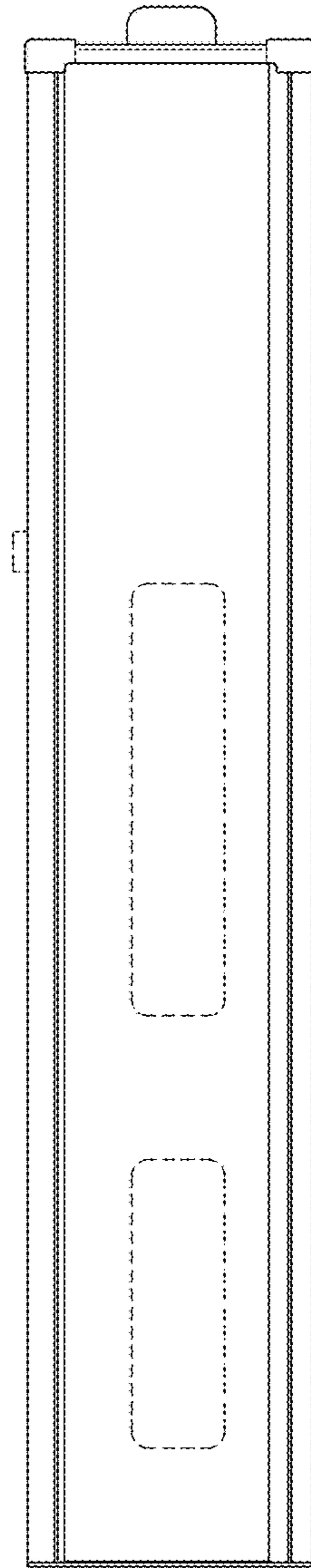


FIG. 5

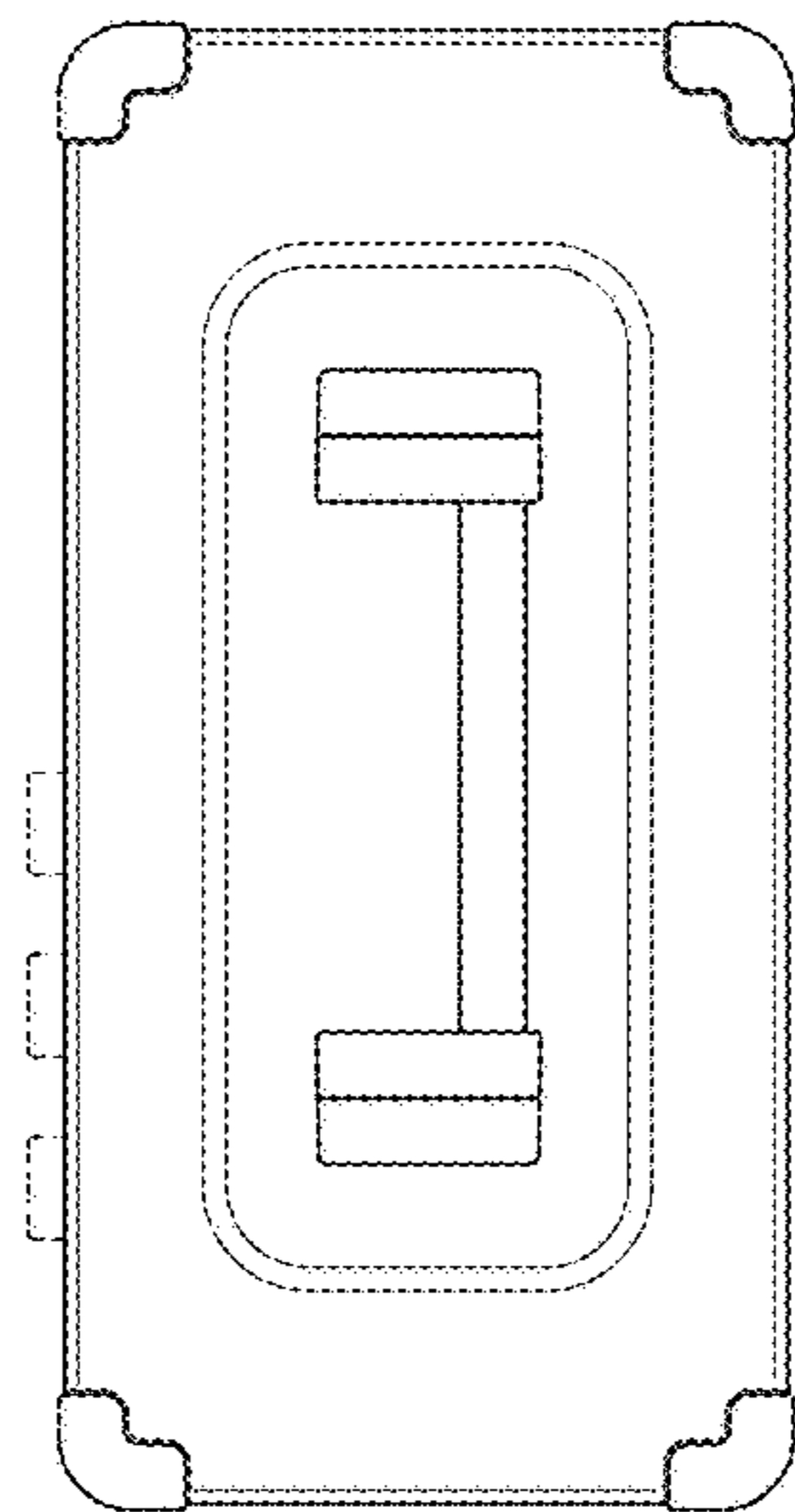


FIG. 6

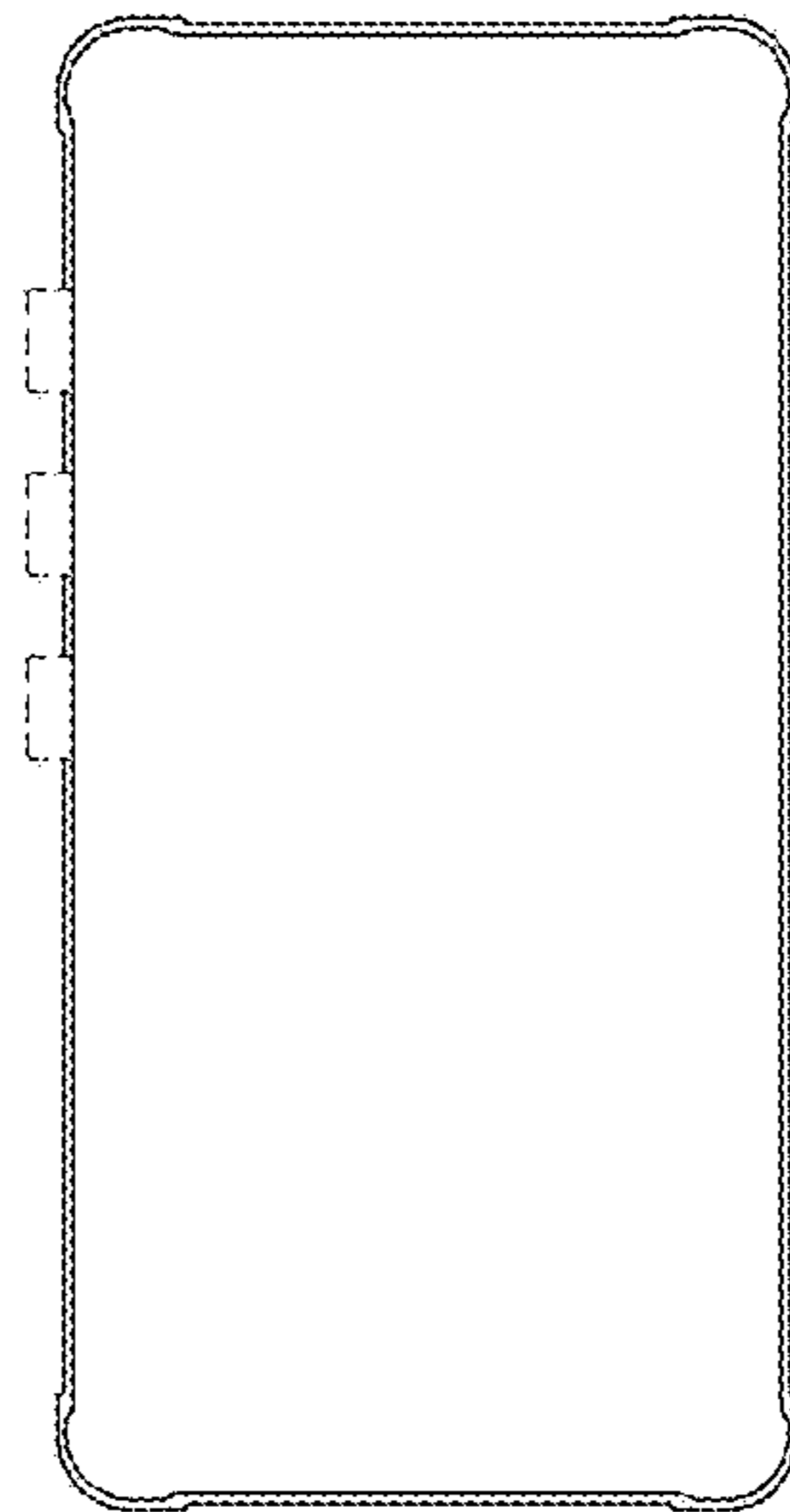


FIG. 7

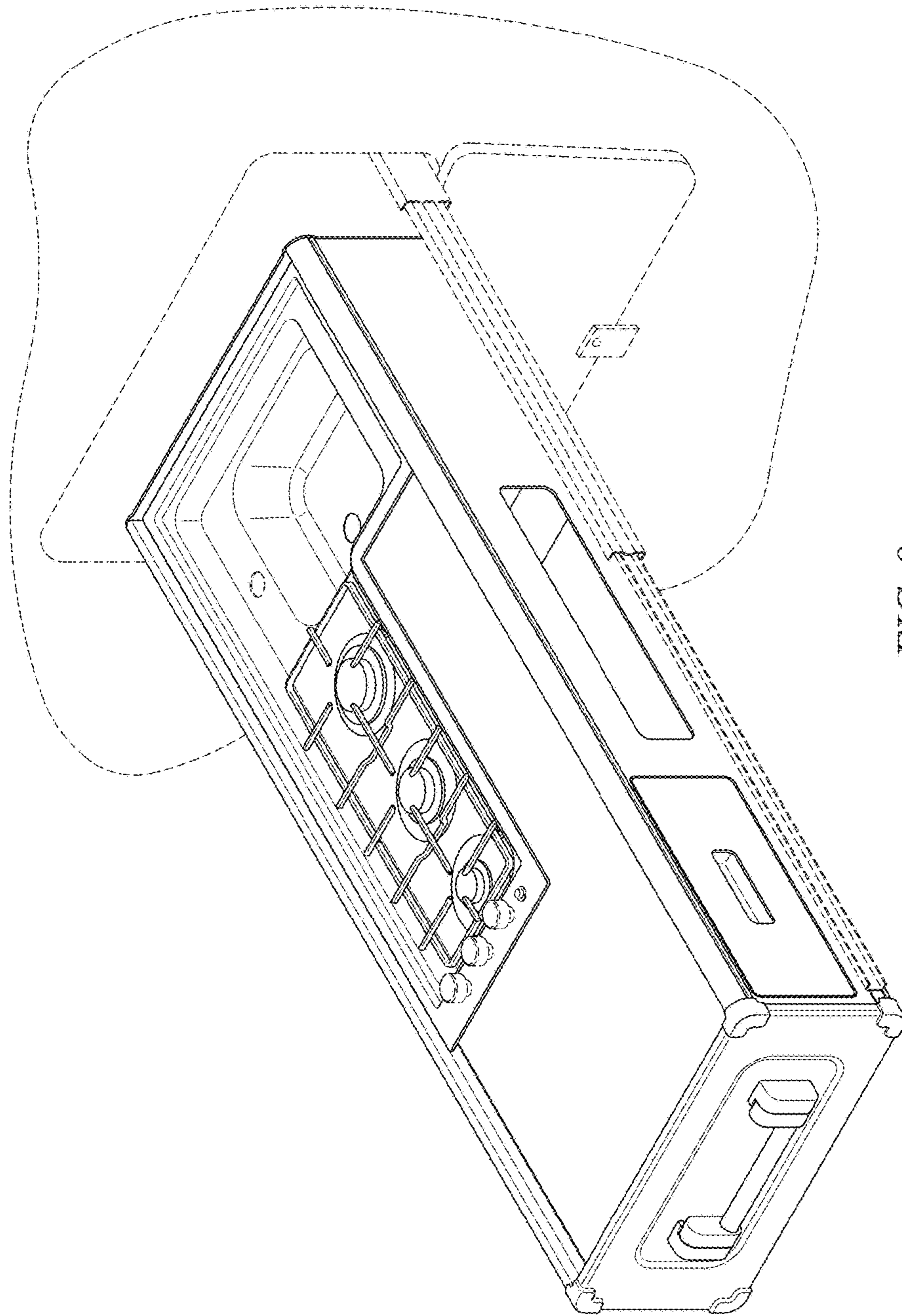


FIG. 8

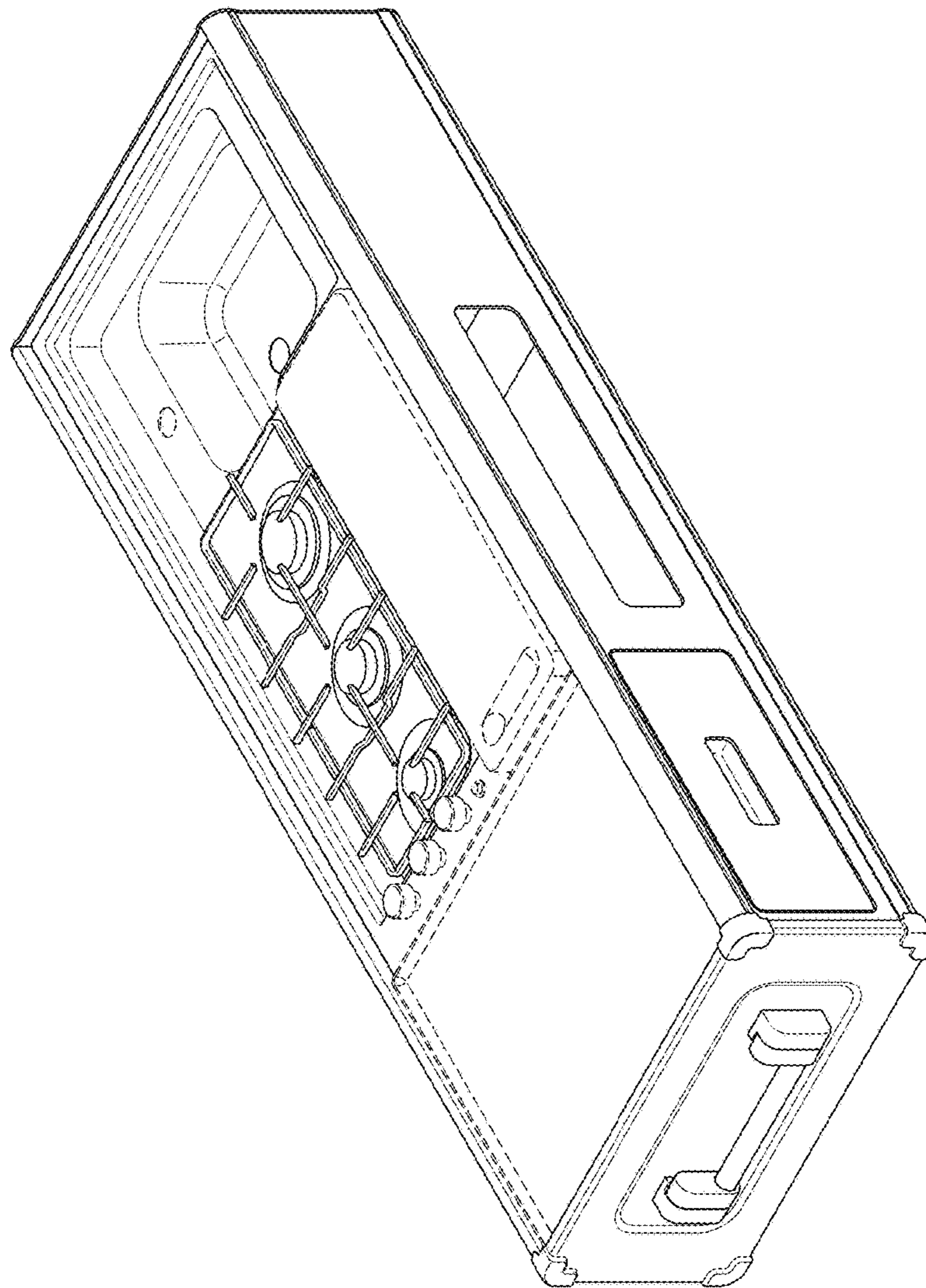


FIG. 9

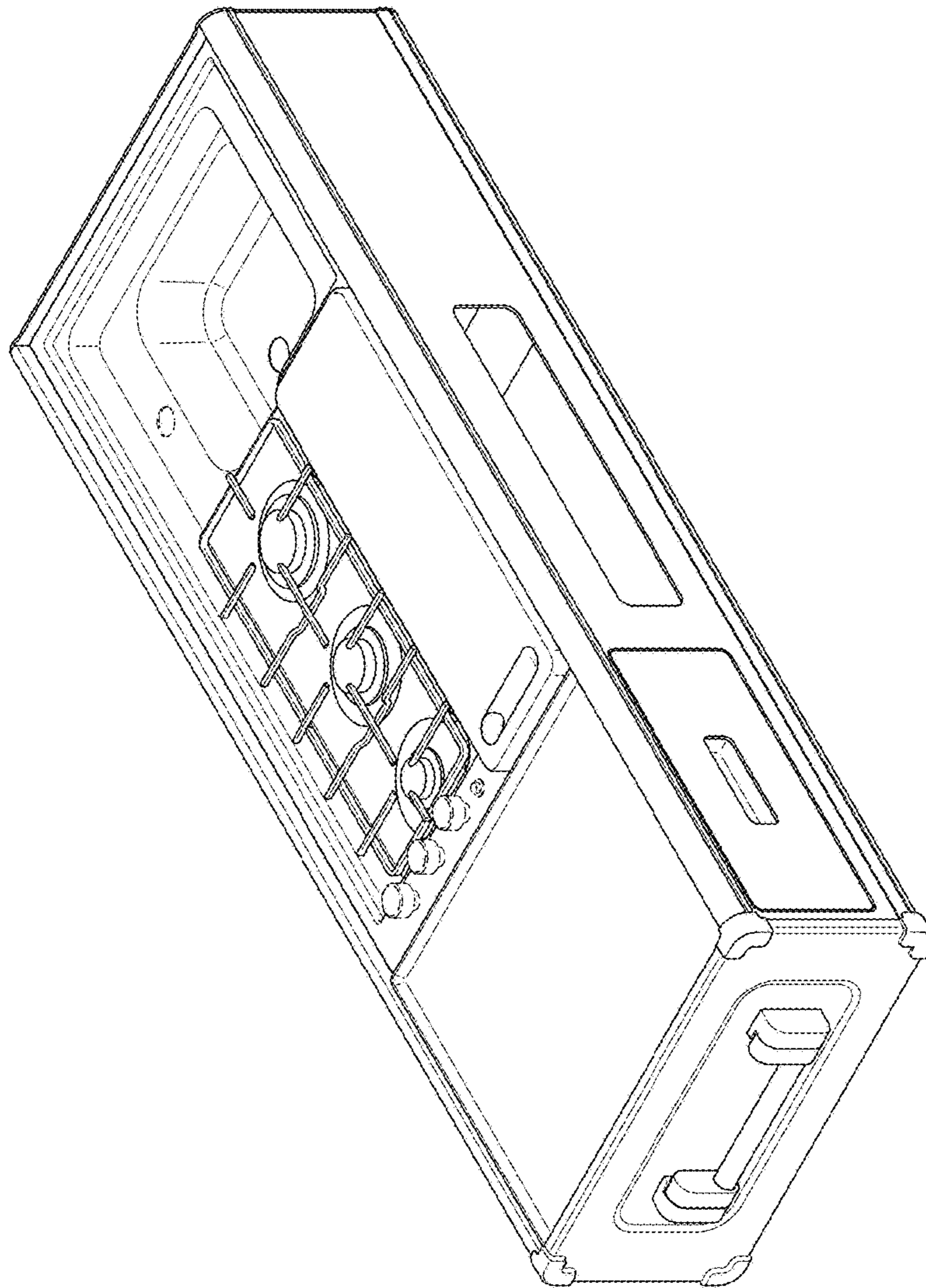


FIG. 10

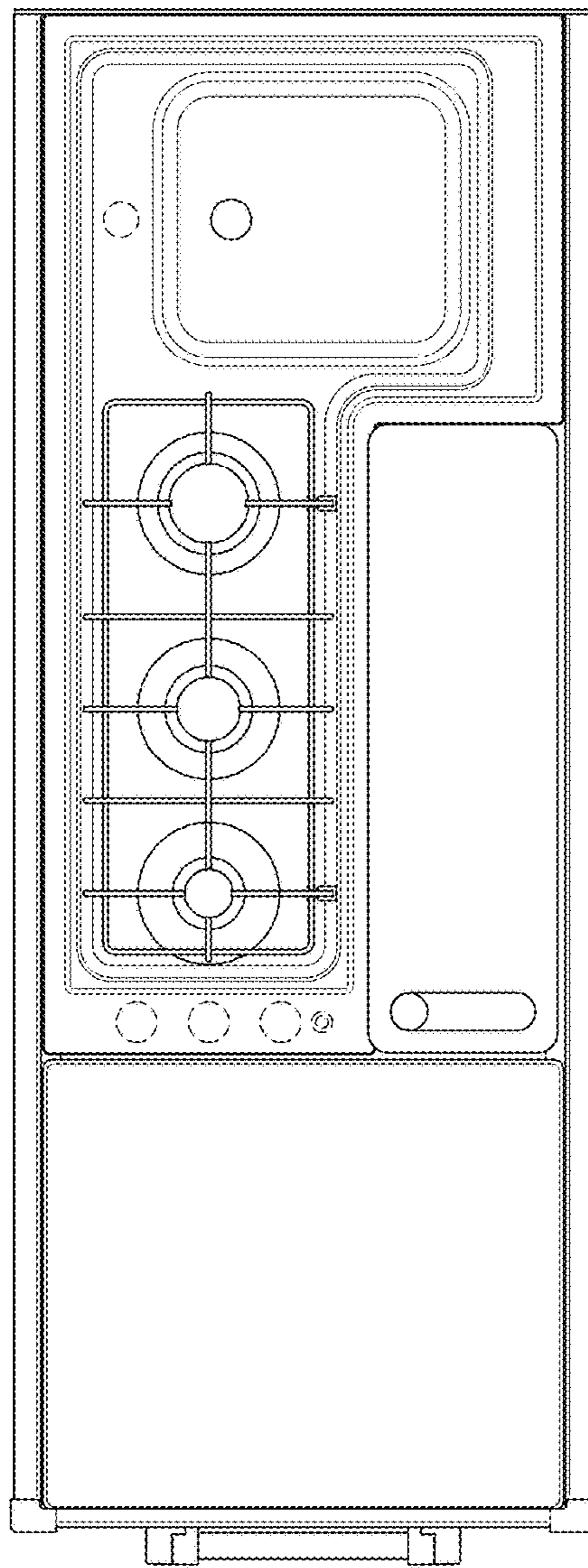


FIG. 11

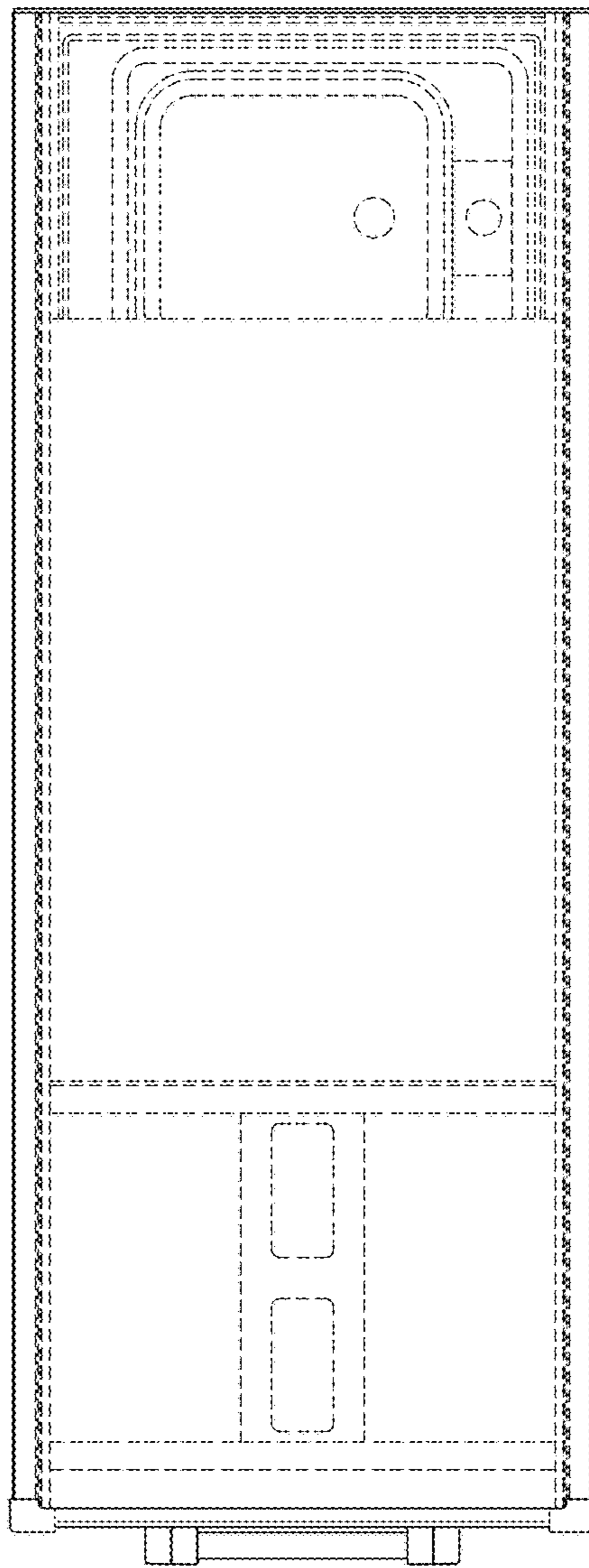


FIG. 12

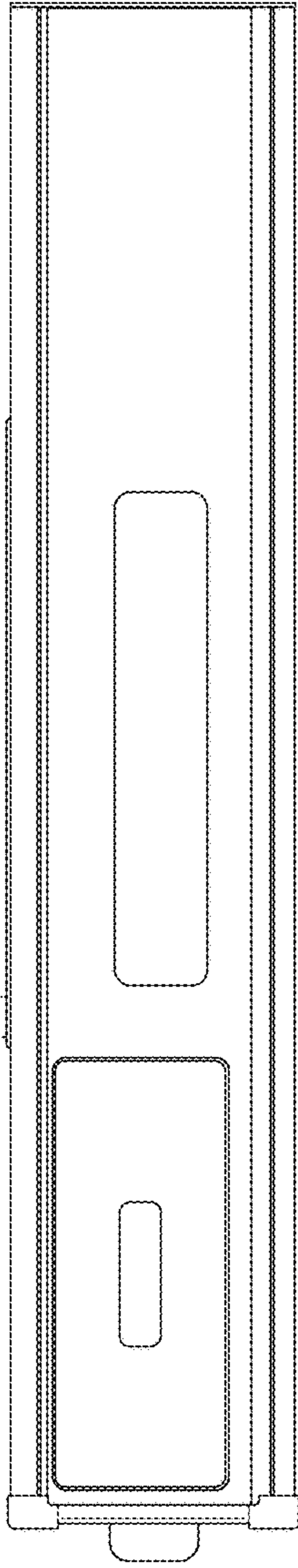


FIG. 13

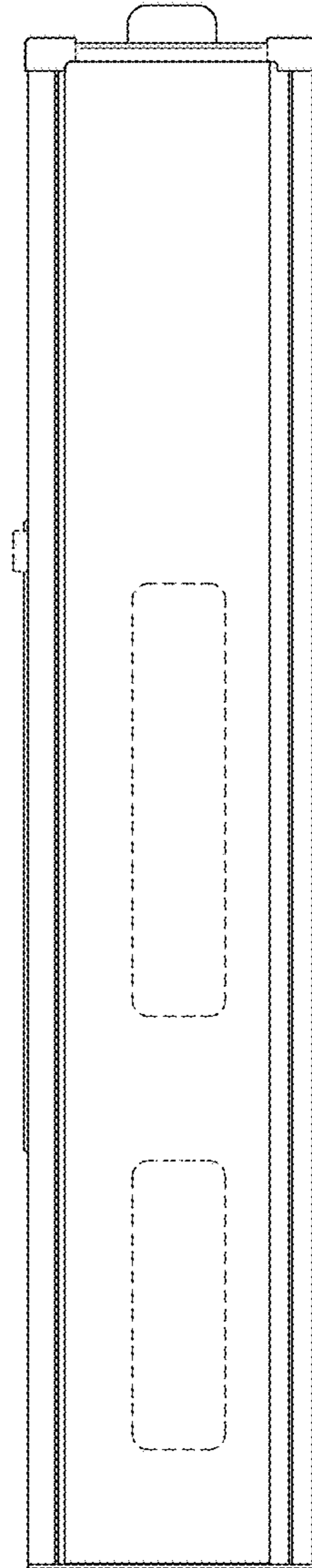


FIG. 14

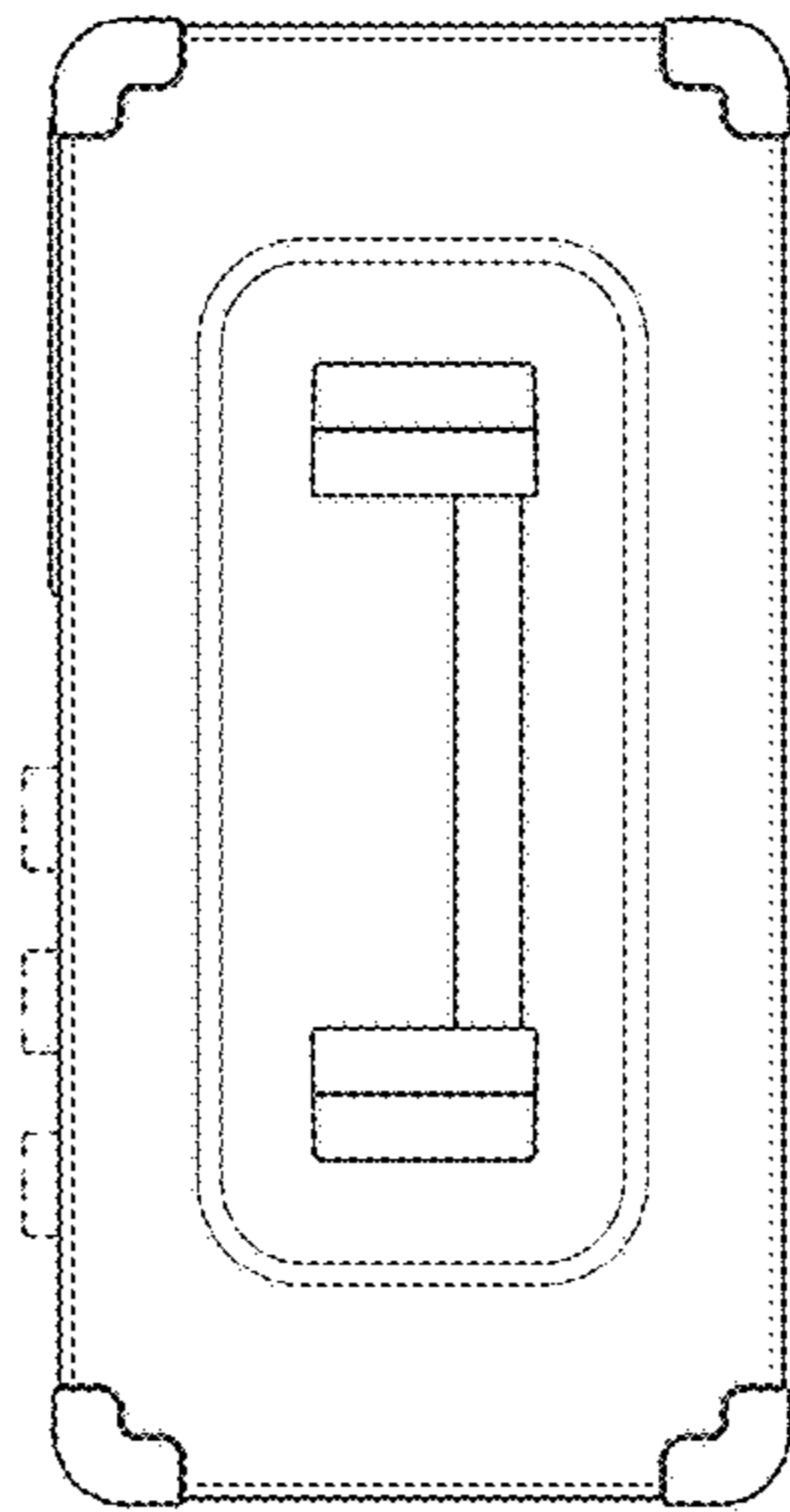


FIG. 15

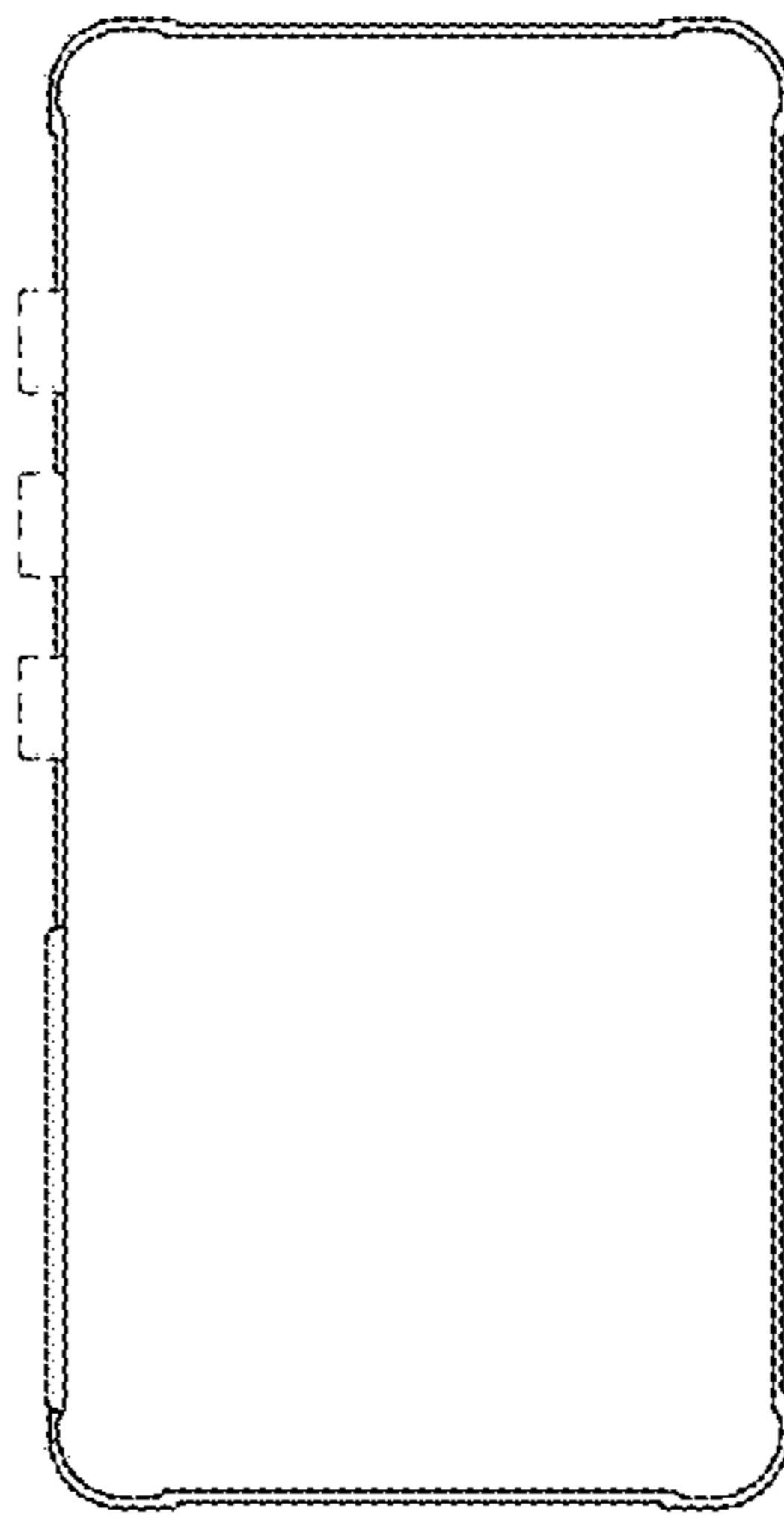


FIG. 16

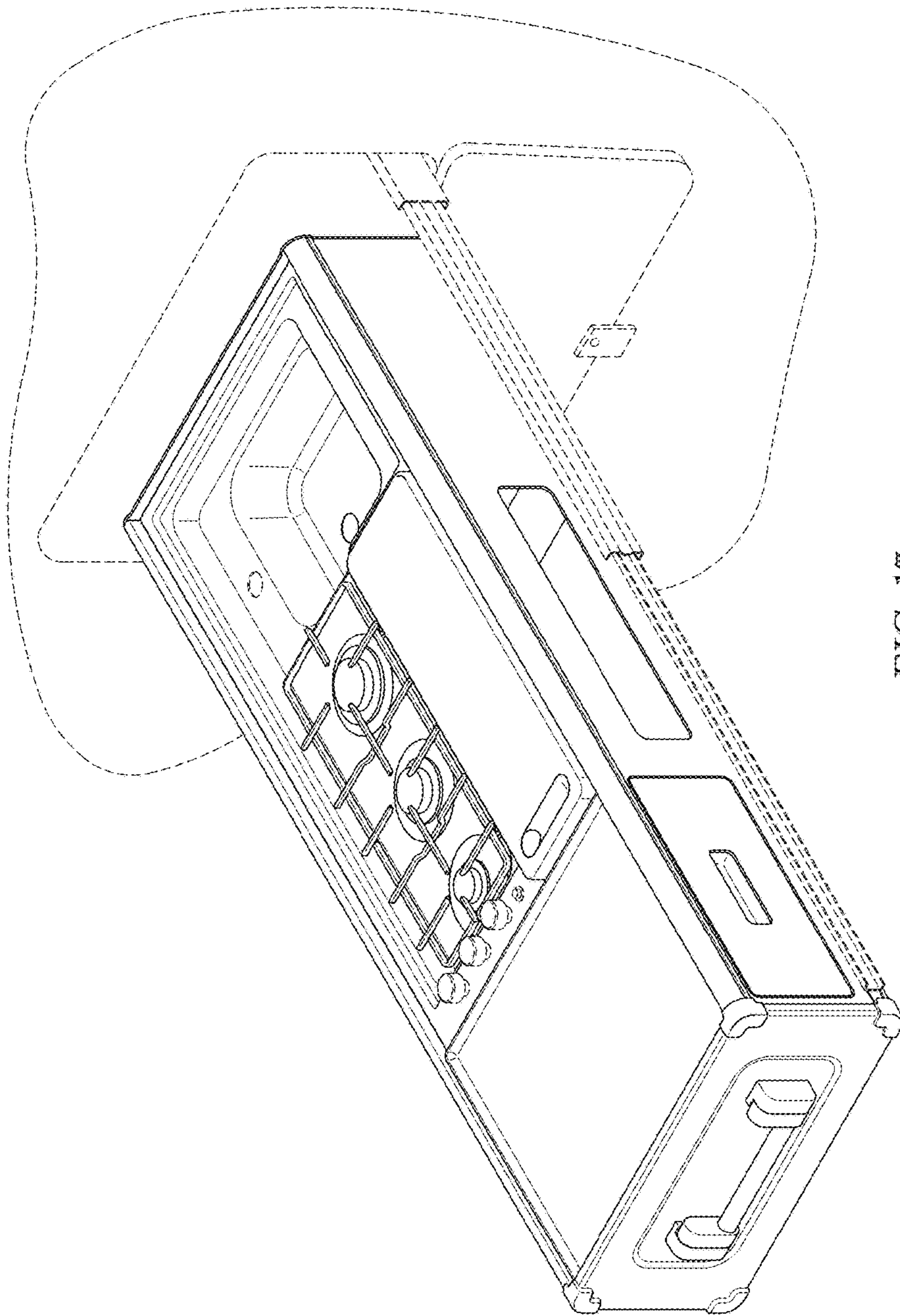


FIG. 17