

US00D870504S

(12) **United States Design Patent** (10) **Patent No.:** **US D870,504 S**
Gushwa et al. (45) **Date of Patent:** **** Dec. 24, 2019**

(54) **OVEN**

(56) **References Cited**

(71) Applicant: **WHIRLPOOL CORPORATION**,
Benton Harbor, MI (US)

(72) Inventors: **David J. Gushwa**, Mishawaka, IN
(US); **John W. McConnell**, St. Joseph,
MI (US); **Mansour Ourasanah**,
Chicago, IL (US)

(73) Assignee: **Whirlpool Corporation**, Benton
Harbor, MI (US)

(**) Term: **15 Years**

(21) Appl. No.: **29/653,943**

(22) Filed: **Jun. 20, 2018**

(51) **LOC (12) Cl.** **07-02**

(52) **U.S. Cl.**
USPC **D7/328**

(58) **Field of Classification Search**
USPC D7/323, 328-330, 350.1, 351, 390, 405
CPC ... A21B 2/00; A47J 37/00; A47J 37/06; A47J
37/0611; A47J 37/08; A47J 37/0807;
A47J 37/0814; A47J 37/0835; A47J
37/0842; A47J 37/085; A47J 37/0864;
A47J 37/0878; A47J 37/0885; A47J
37/0892; F24C 15/10; F24C 15/102
See application file for complete search history.

U.S. PATENT DOCUMENTS

D305,597 S *	1/1990	Yoo	D7/351
D564,283 S *	3/2008	Leung	D7/350.1
D564,284 S *	3/2008	Leung	D7/350.1
D587,959 S *	3/2009	Hensel	D7/350.1
D614,905 S *	5/2010	Fiorotto	D7/350.1
D655,970 S *	3/2012	De' Longhi	D7/351
D658,439 S *	5/2012	Curtis	D7/405
D736,554 S *	8/2015	Steiner	D7/350.1
D838,533 S *	1/2019	Tokoi	D7/328

* cited by examiner

Primary Examiner — Ricky Pham
(74) *Attorney, Agent, or Firm* — Price Heneveld LLP

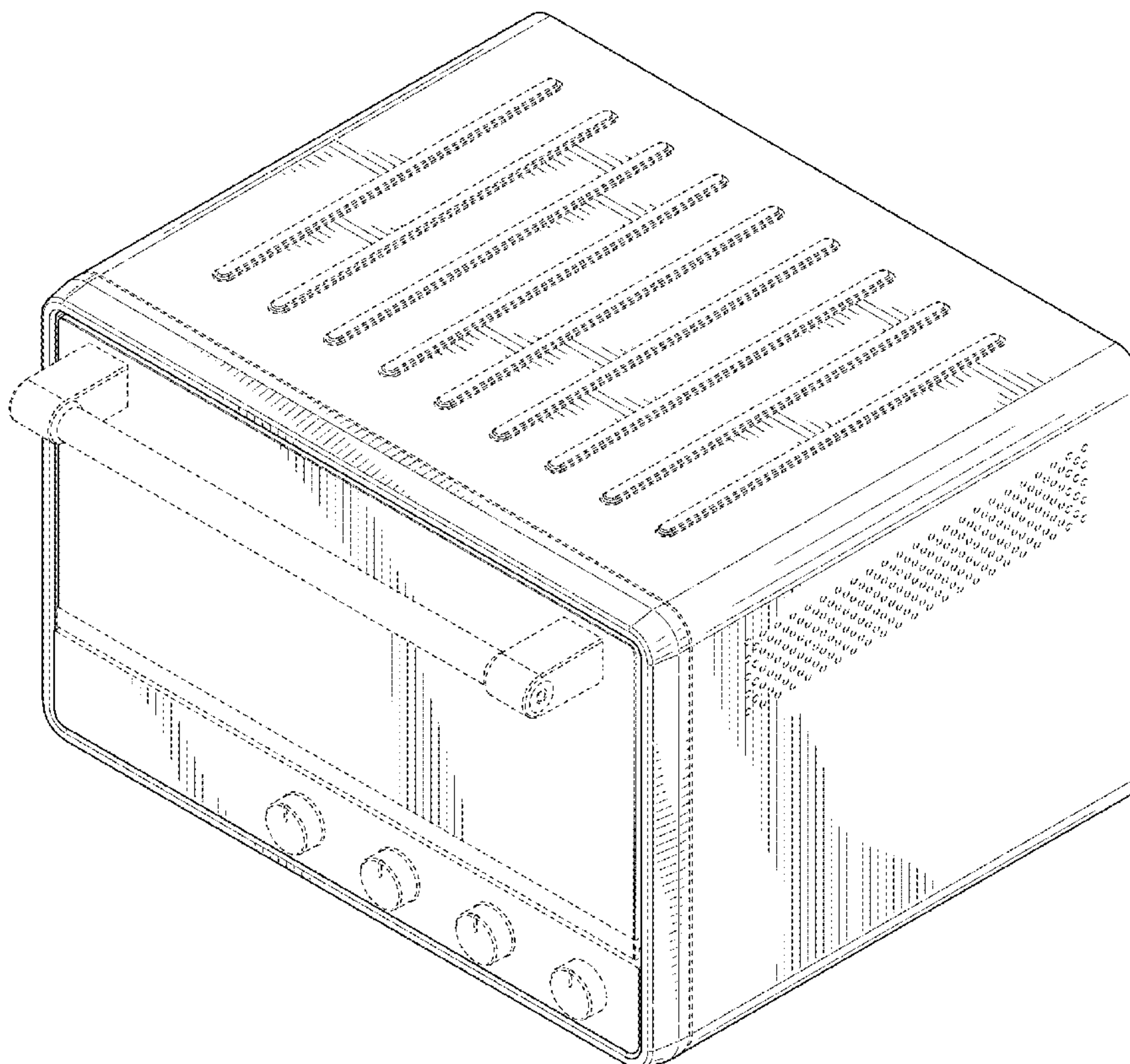
(57) **CLAIM**

The ornamental design for an oven, as shown and described.

DESCRIPTION

FIG. 1 is a front perspective view of an oven according to our design;
FIG. 2 is a front elevation view thereof;
FIG. 3 is a back elevation view thereof;
FIG. 4 is a left side elevation view thereof;
FIG. 5 is a right side elevation view thereof;
FIG. 6 is a top plan view thereof; and,
FIG. 7 is a bottom plan view thereof.
The portions of the article shown in broken line form no part of the claimed design.

1 Claim, 7 Drawing Sheets



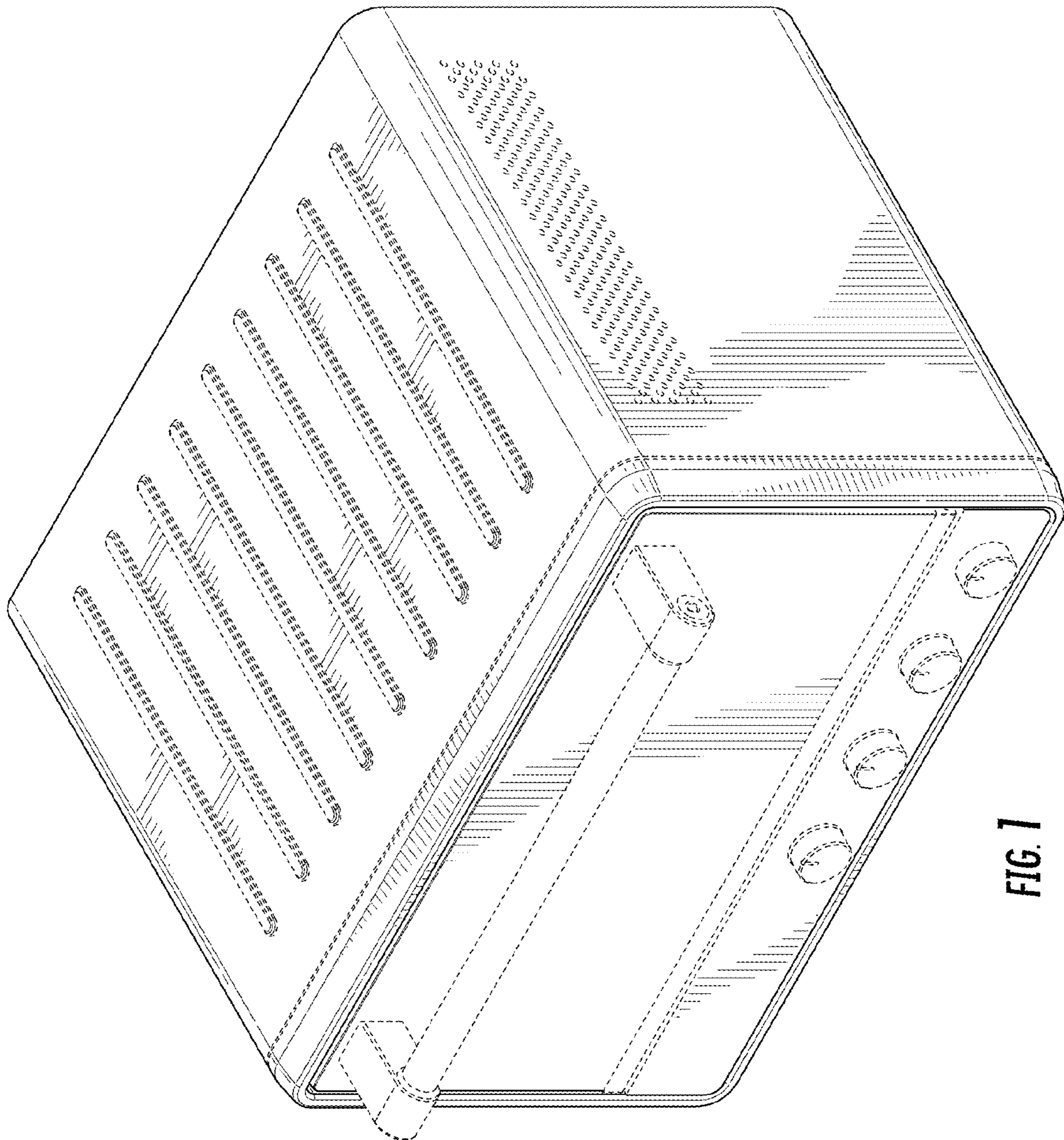


FIG. 1

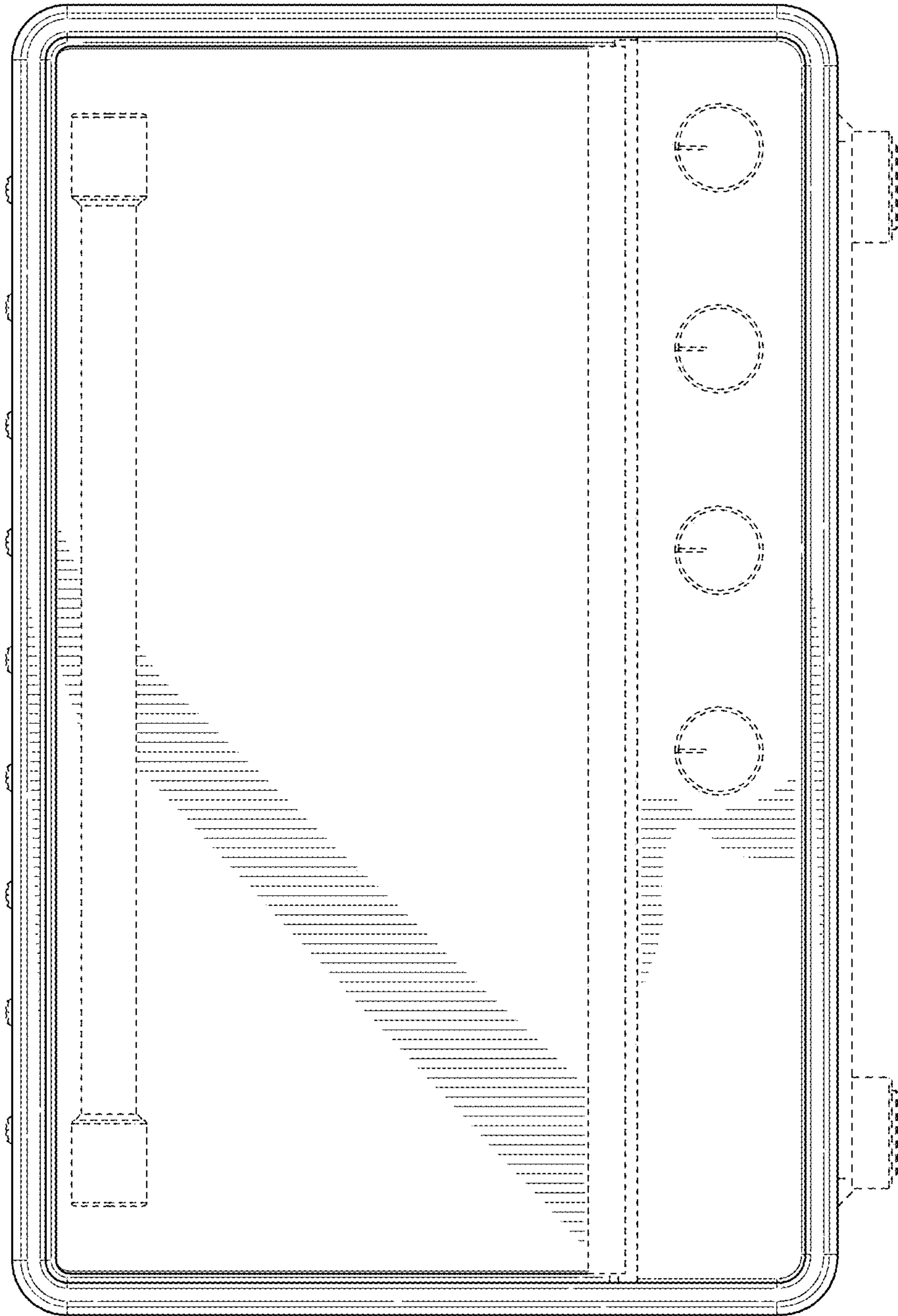


FIG. 2

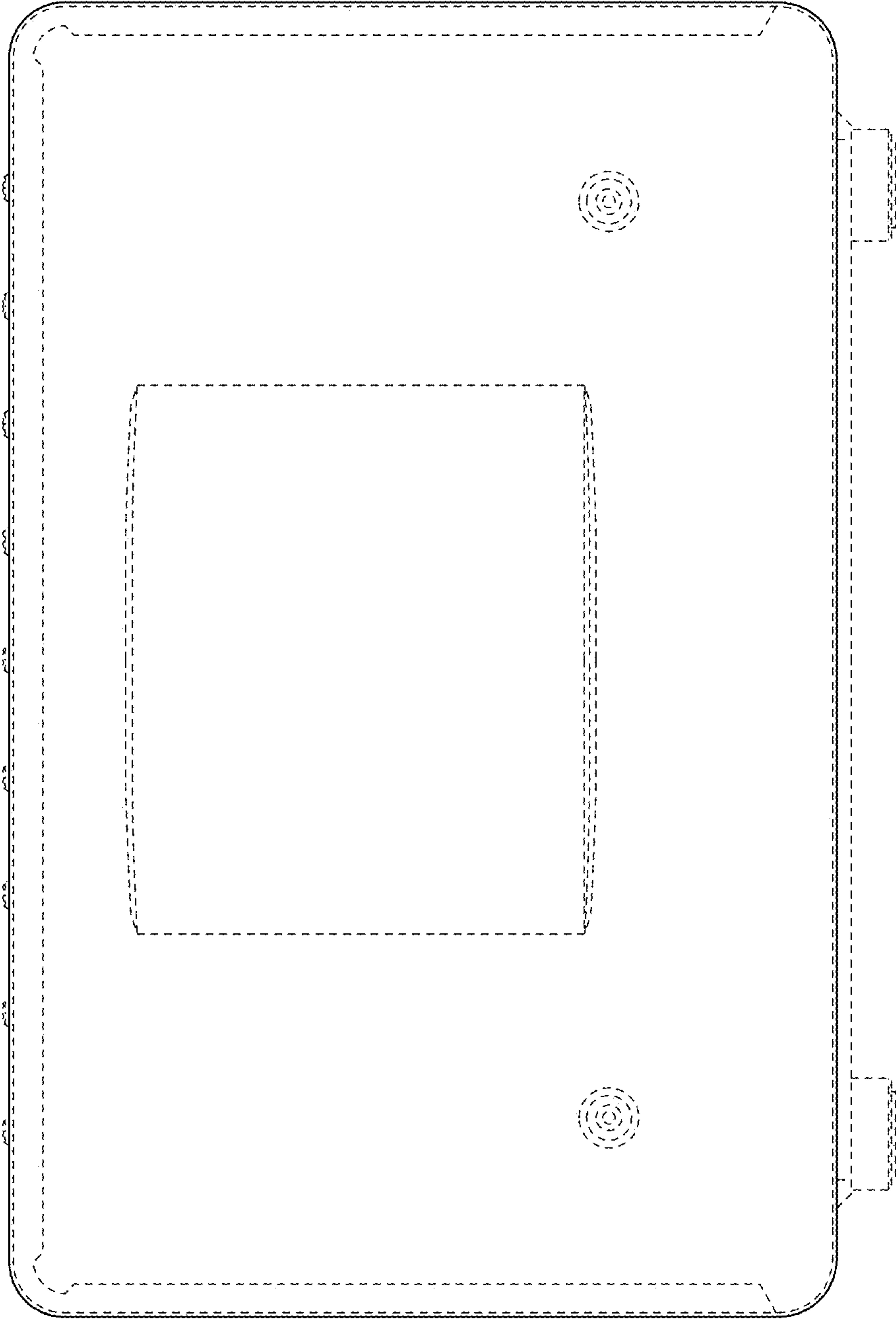


FIG. 3

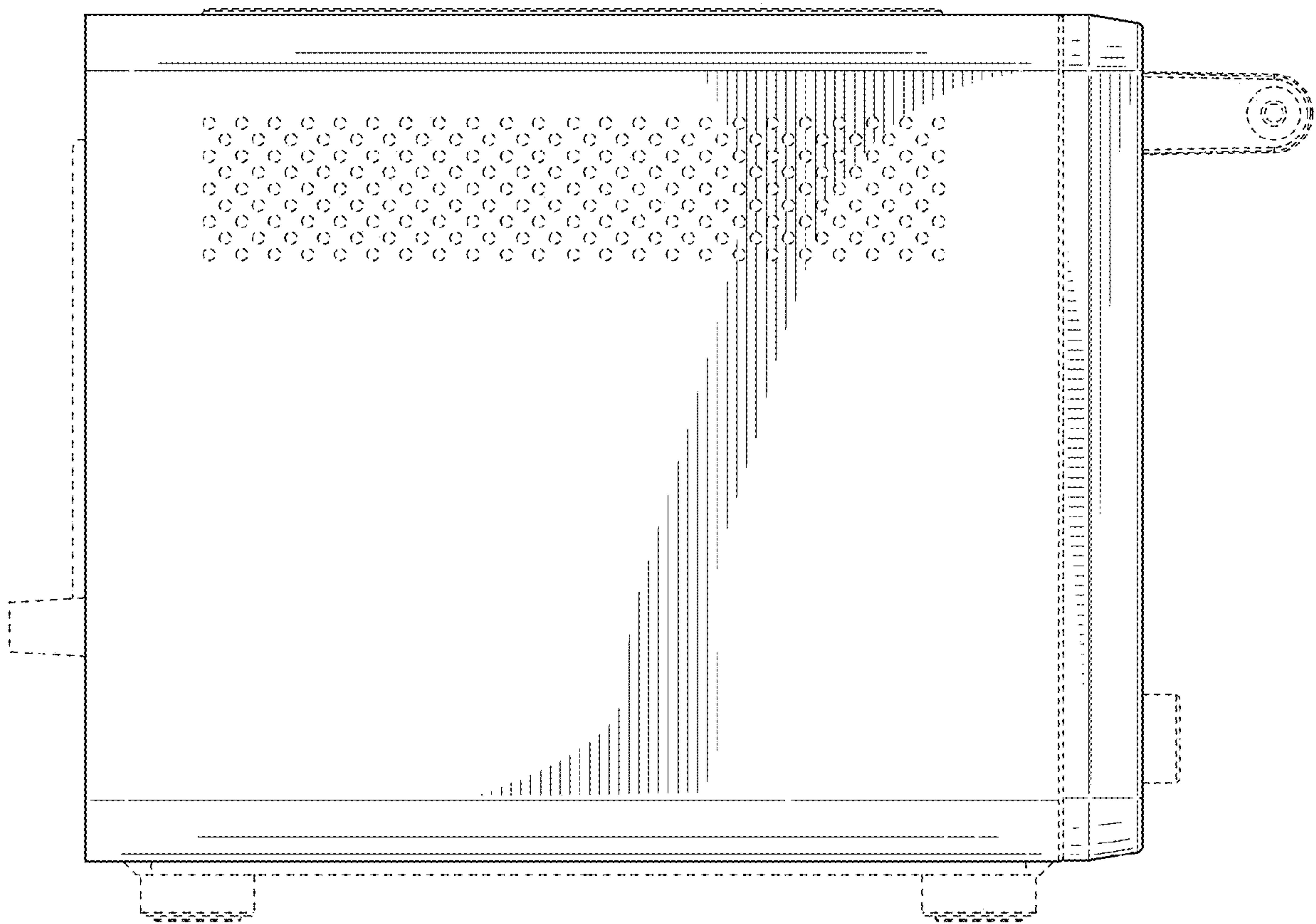


FIG. 4

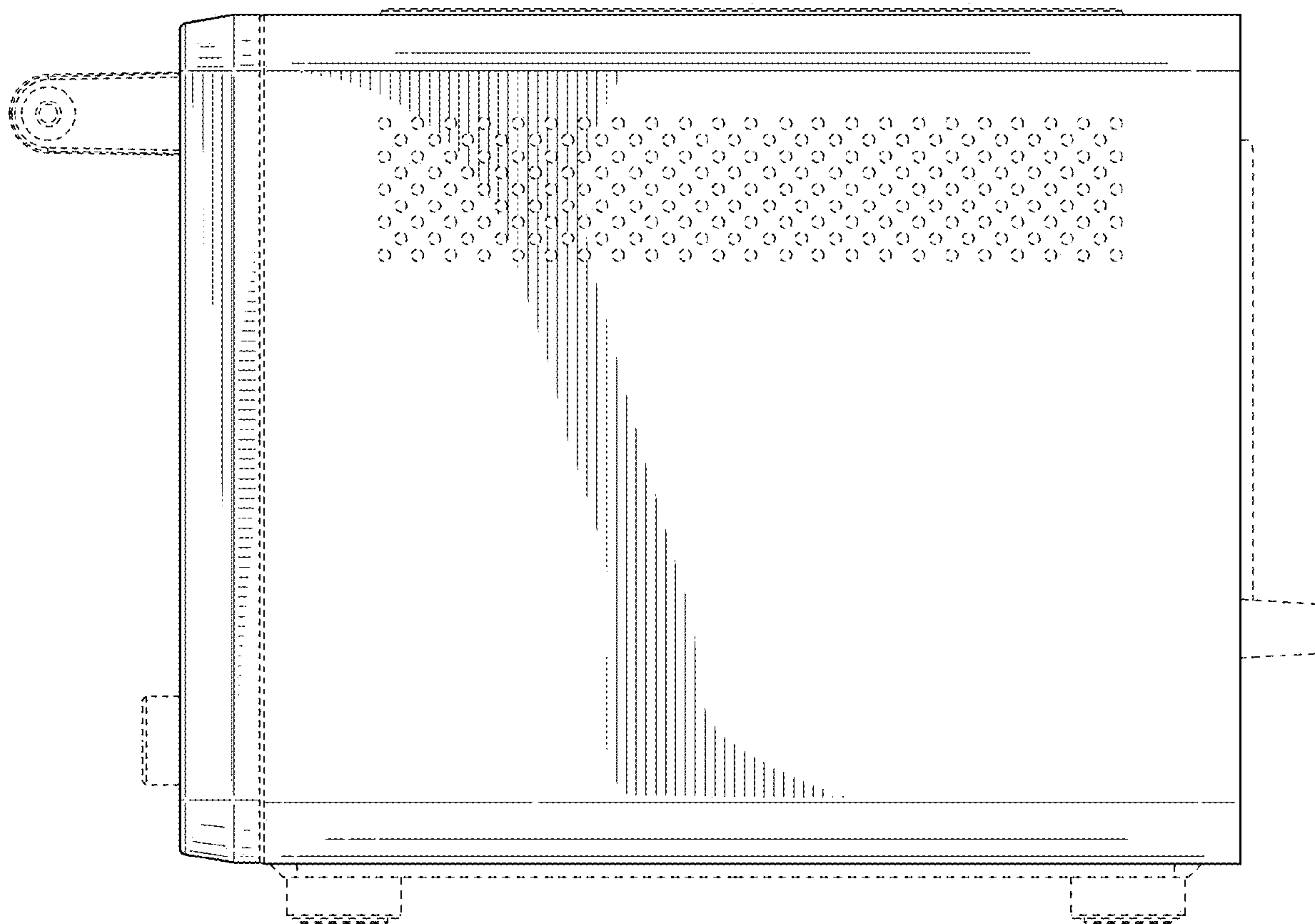


FIG. 5

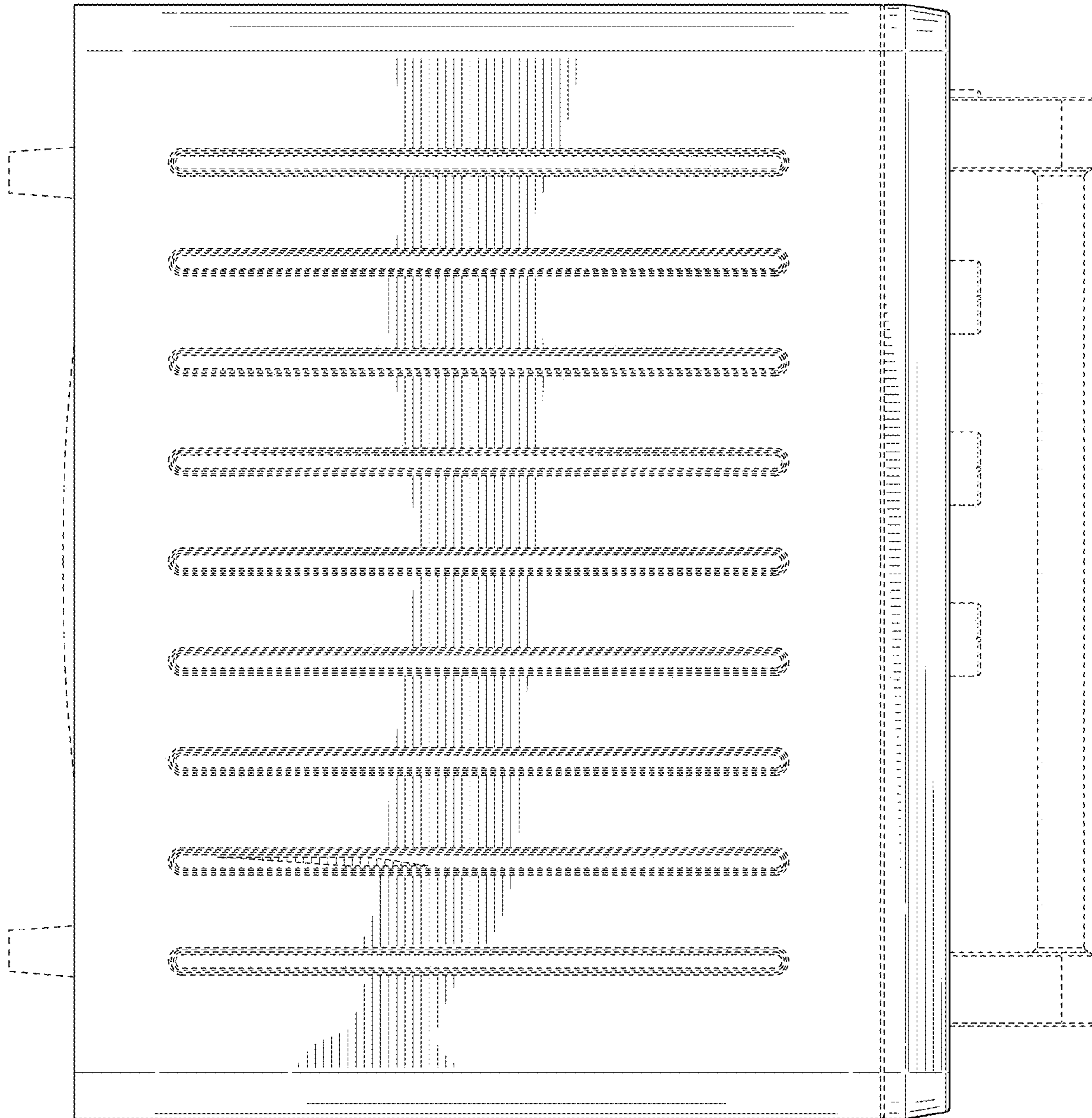


FIG. 6

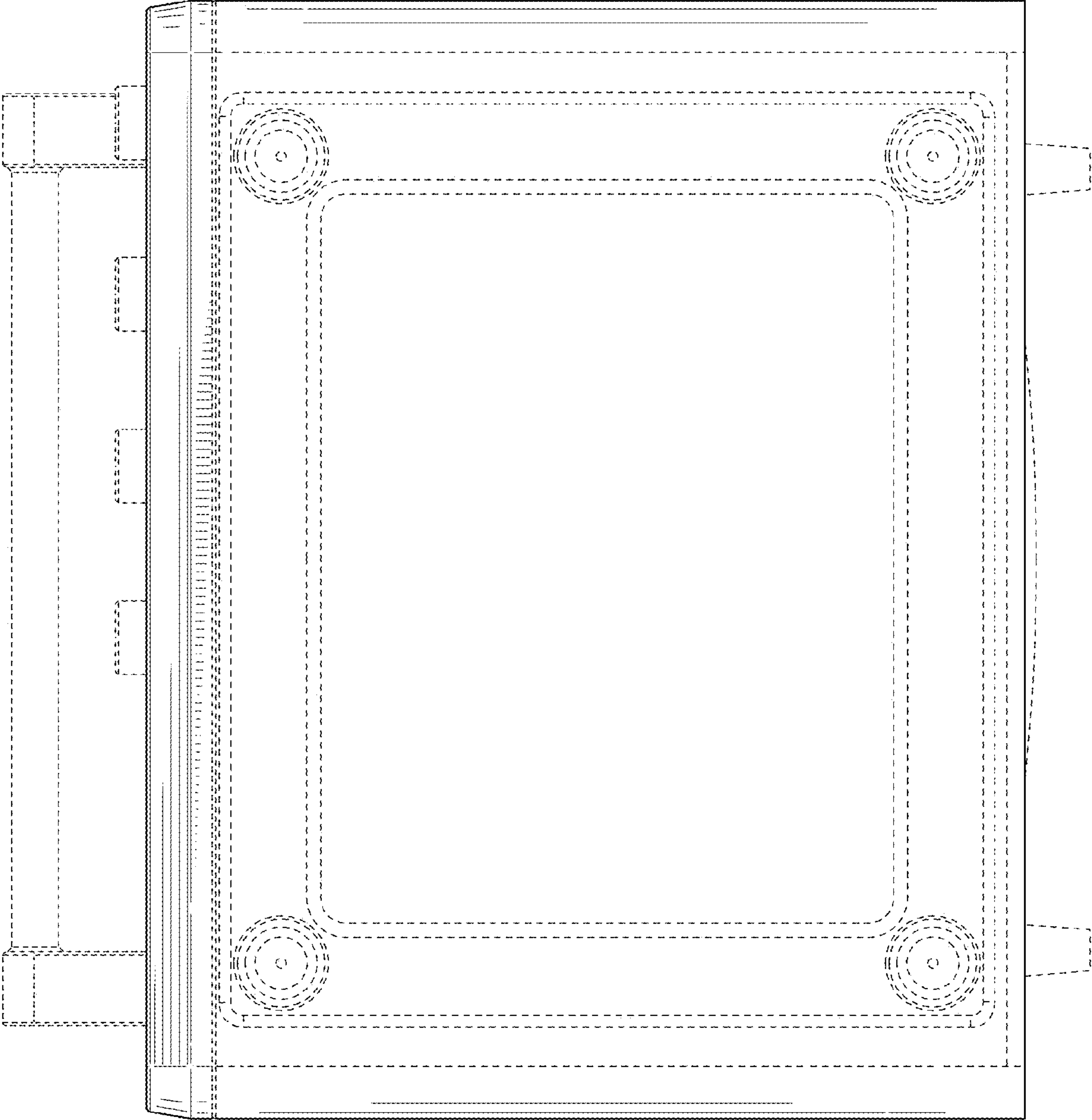


FIG. 7