



US00D870502S

(12) **United States Design Patent**
Saotome

(10) **Patent No.:** **US D870,502 S**

(45) **Date of Patent:** **** Dec. 24, 2019**

(54) **CHAIR**

(71) Applicant: **Okamura Corporation**, Yokohama-shi,
Kanagawa (JP)

(72) Inventor: **Hiroshi Saotome**, Yokohama (JP)

(73) Assignee: **Okamura Corporation**, Yokohama-shi,
Kanagawa (JP)

(**) Term: **15 Years**

(21) Appl. No.: **29/696,816**

(22) Filed: **Jul. 1, 2019**

Related U.S. Application Data

(62) Division of application No. 29/621,040, filed on Oct.
4, 2017.

(30) **Foreign Application Priority Data**

Apr. 4, 2017 (JP) 2017-007135
Apr. 4, 2017 (JP) 2017-007136

(51) **LOC (12) Cl.** **06-01**

(52) **U.S. Cl.**
USPC **D6/716**; D6/361; D6/375

(58) **Field of Classification Search**
USPC D6/334–336, 361, 367, 375, 716, 716.1,
D6/716.2, 716.3, 716.4
CPC A47C 4/18; A47C 4/20; A47C 4/30; A47C
4/42; A47C 7/50; A47C 7/54; A47C 1/14;
A47C 1/143
See application file for complete search history.

(56) **References Cited**

U.S. PATENT DOCUMENTS

D174,496 S * 4/1955 Freeman et al. D6/361
D175,040 S * 6/1955 Race D6/361
D218,889 S * 10/1970 Lamb D6/361
4,066,293 A * 1/1978 Meier A47C 1/143
297/325

D286,709 S * 11/1986 Schultz D6/361
D531,318 S * 10/2006 Morral Gispert D24/201
D618,005 S * 6/2010 Heltemes D6/375
D668,470 S * 10/2012 Eicke D6/375
D749,335 S * 2/2016 Vanderminden D6/361
D775,844 S * 1/2017 Weng D6/361

(Continued)

OTHER PUBLICATIONS

U.S. Appl. No. 29/621,040, filed Oct. 4, 2017.

Primary Examiner — Mimoso De

(74) *Attorney, Agent, or Firm* — Banner & Witcoff, Ltd.

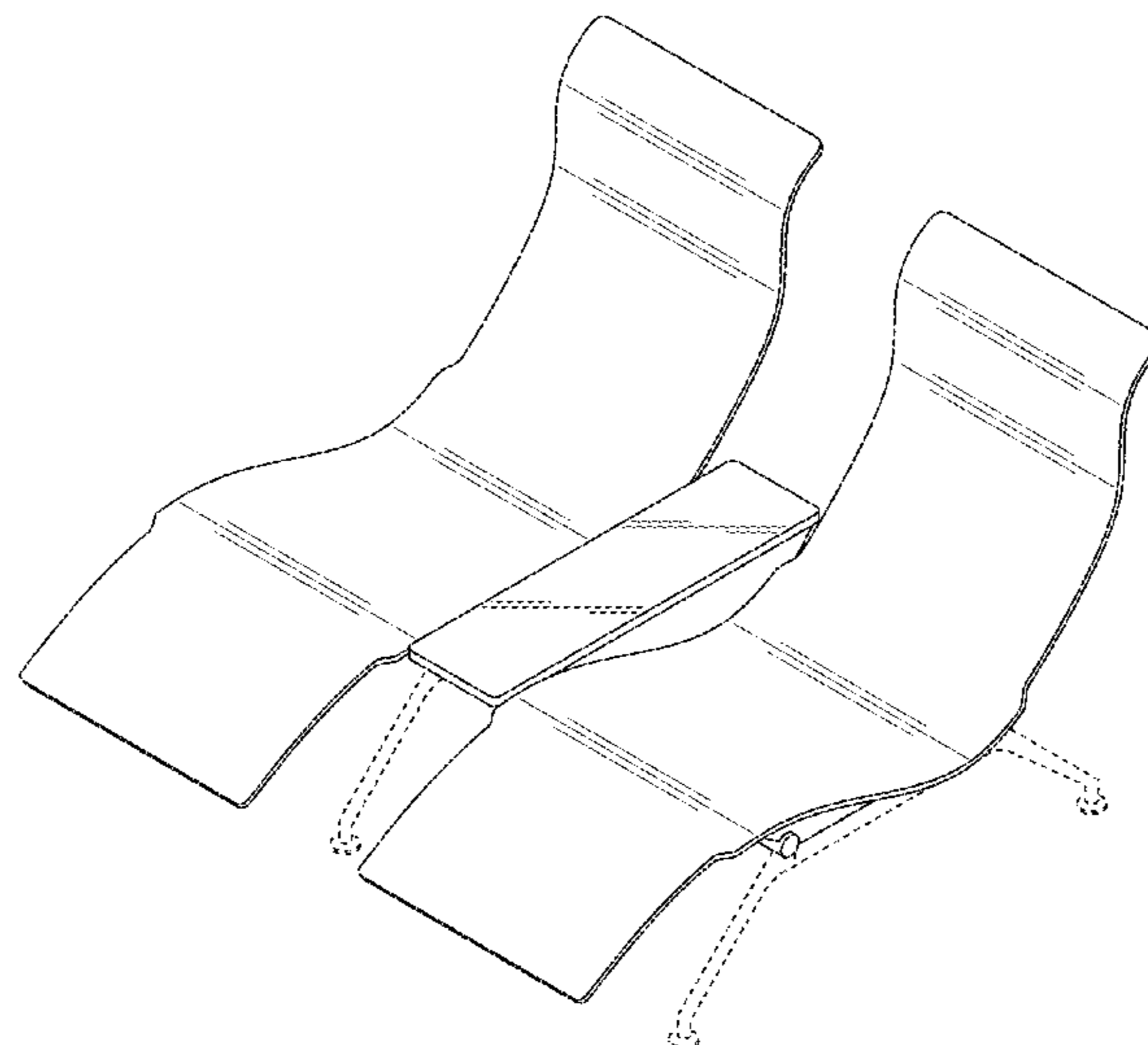
(57) **CLAIM**

The ornamental design for a chair, as shown and described.

DESCRIPTION

FIG. 1 is a front perspective view of a chair showing my new design;
FIG. 2 is a rear perspective view thereof;
FIG. 3 is a front view thereof, the rear view thereof being a mirror image;
FIG. 4 is a right side view thereof;
FIG. 5 is a top view thereof;
FIG. 6 is a left side view thereof;
FIG. 7 is a bottom view thereof;
FIG. 8 is a cross-sectional view taken along the line 18-18 in FIG. 5;
FIG. 9 is a cross-sectional view taken along the line 19-19 in FIG. 3;
FIG. 10 is a cross-sectional view taken along the line 20-20 in FIG. 5; and,
FIG. 11 is a cross-sectional view taken along the line 21-21 in FIG. 5.
The broken lines shown in the drawings are included for the purpose of illustrating portions of the chair that form no part of the claimed design.

1 Claim, 11 Drawing Sheets



(56)

References Cited

U.S. PATENT DOCUMENTS

D810,455 S * 2/2018 Wang D6/361
D819,998 S * 6/2018 Siebert D6/375

* cited by examiner

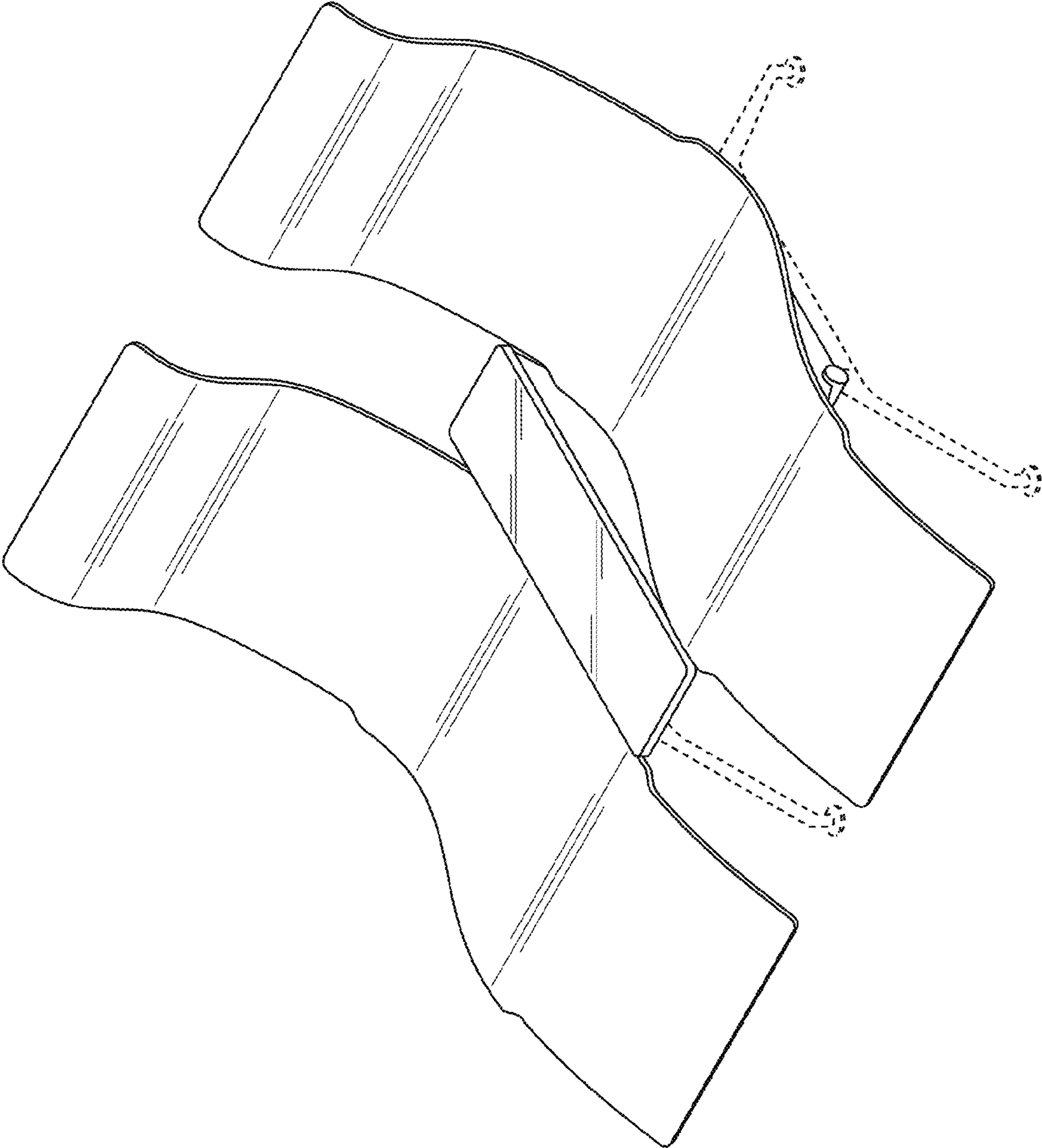


FIG. 1

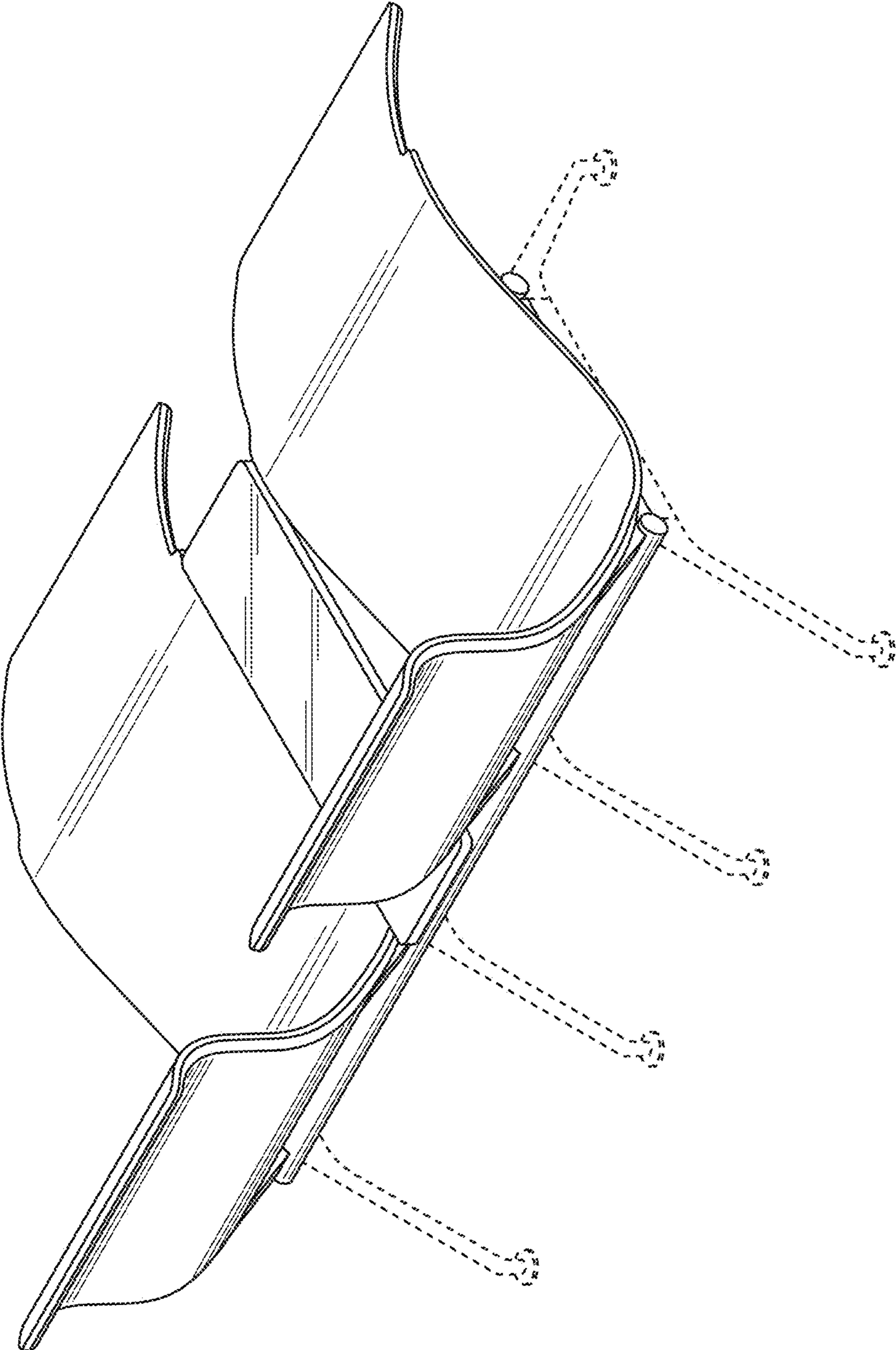


FIG. 2

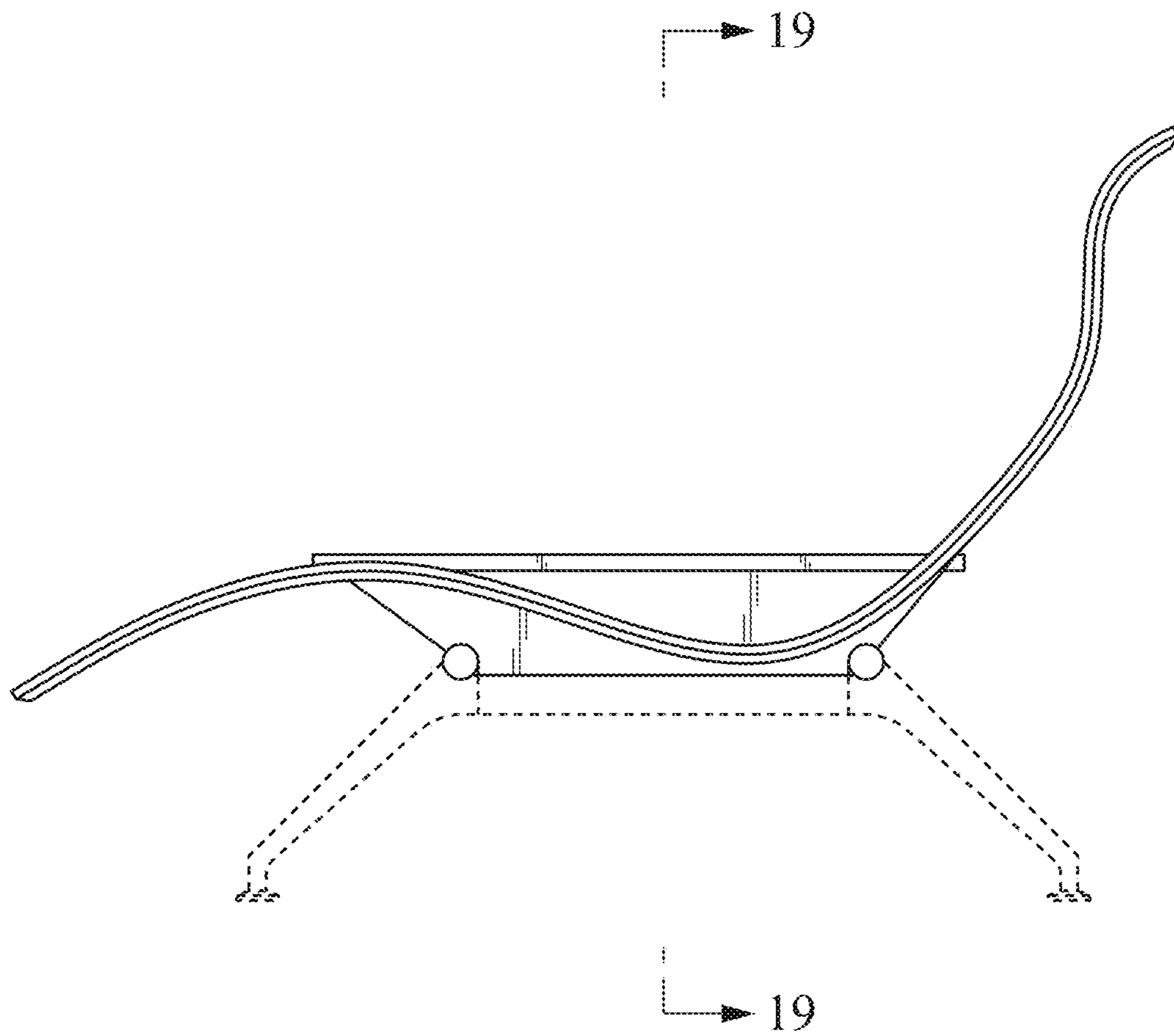


FIG. 3

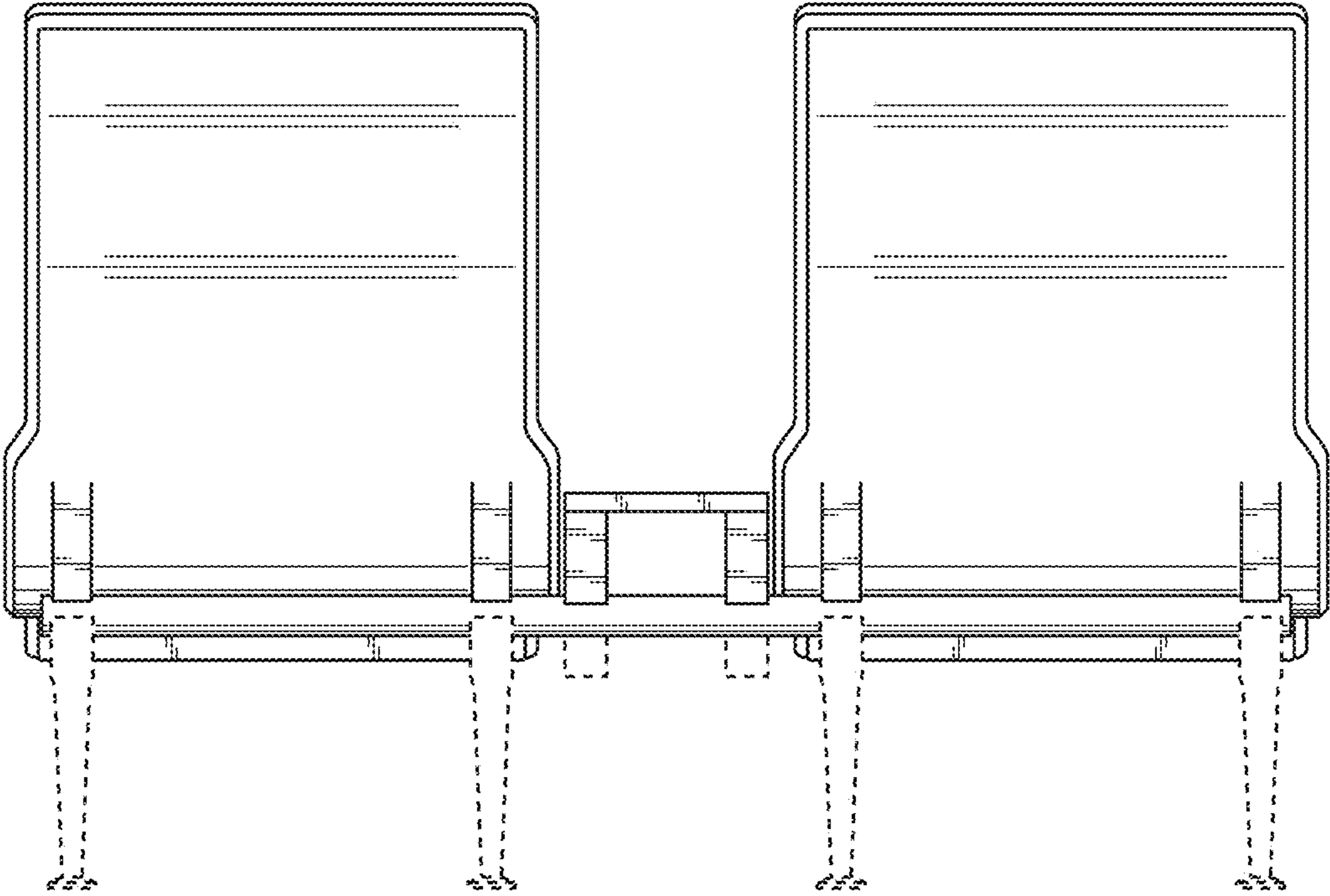


FIG. 4

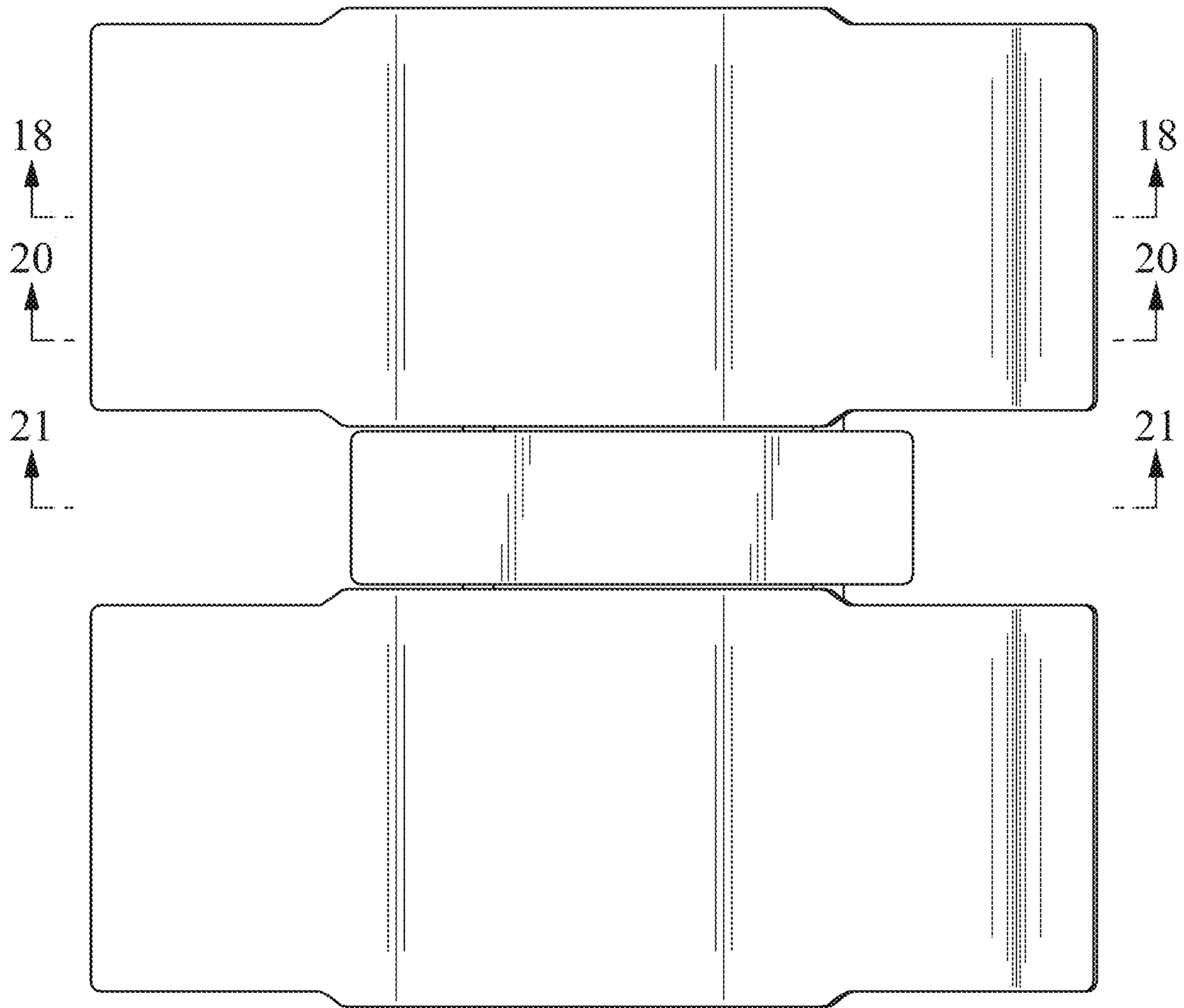


FIG. 5

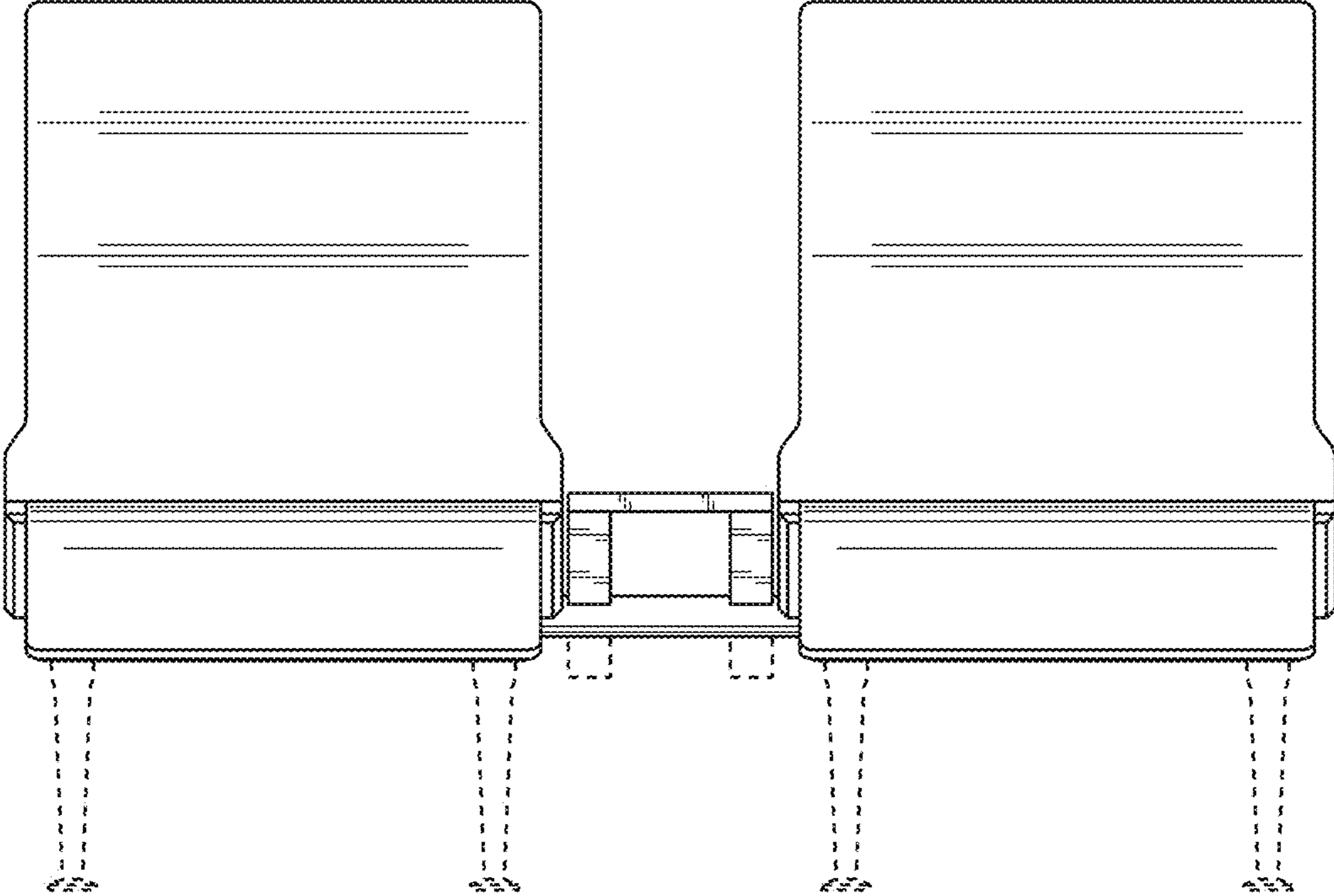


FIG. 6

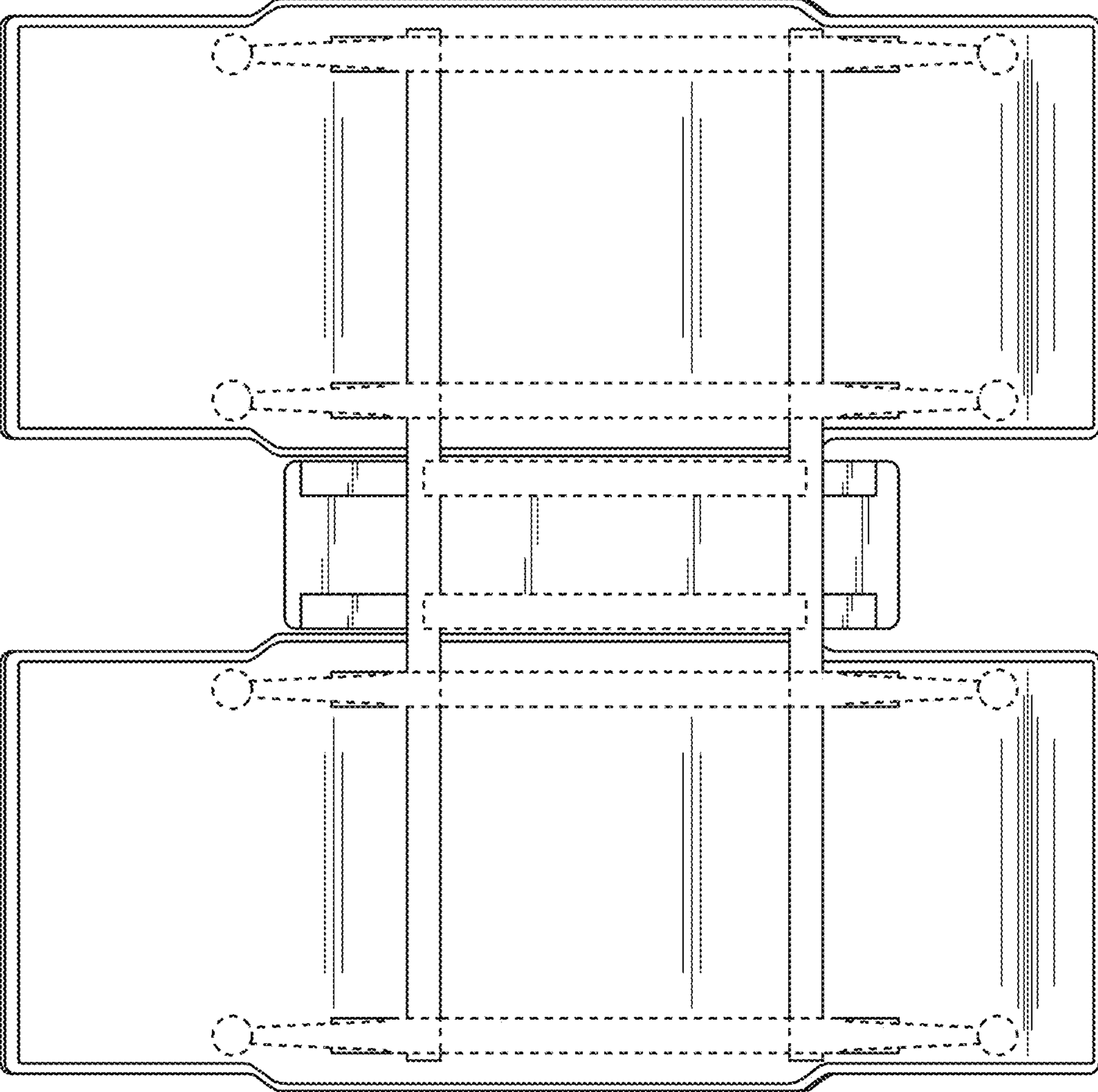


FIG. 7

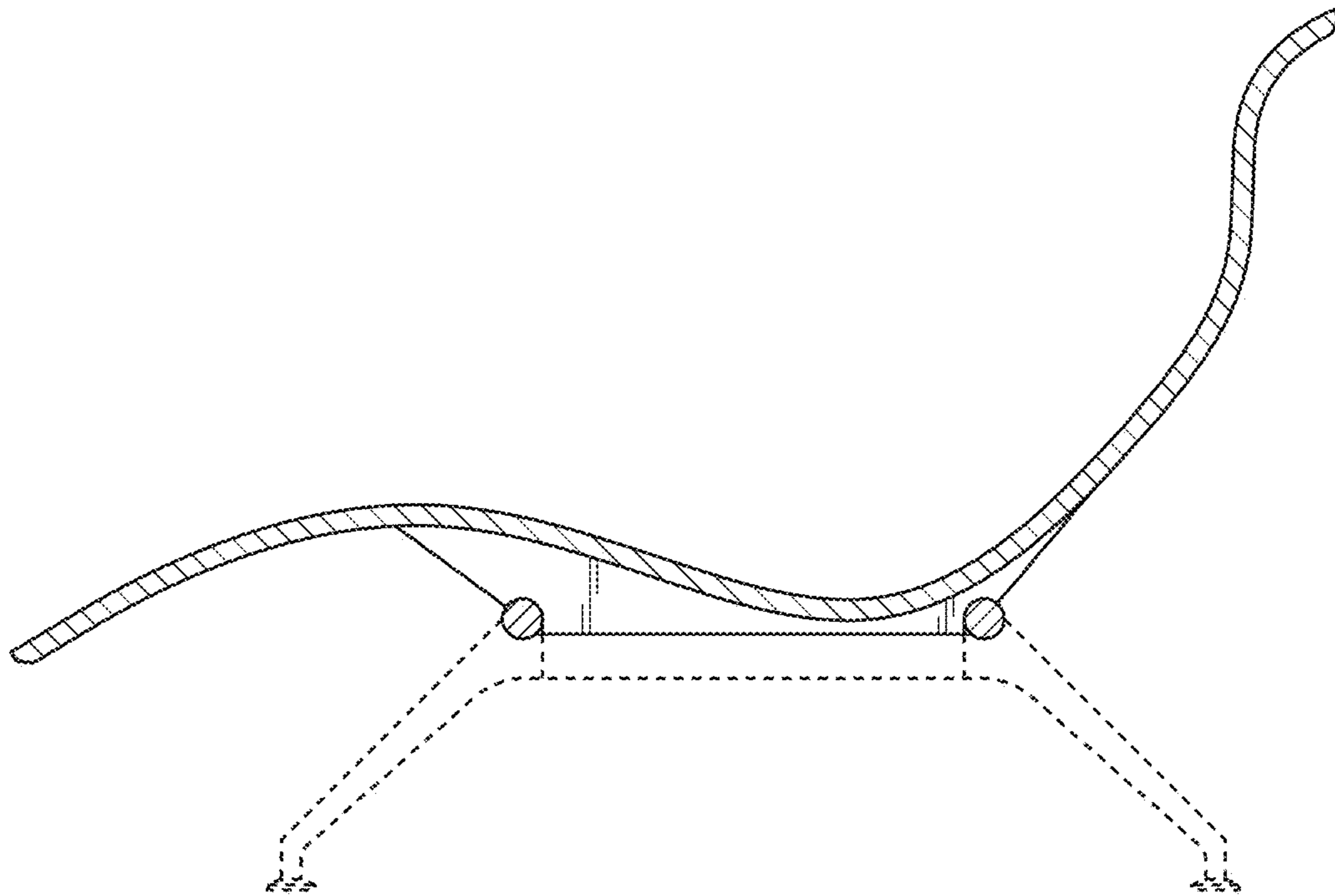


FIG. 8

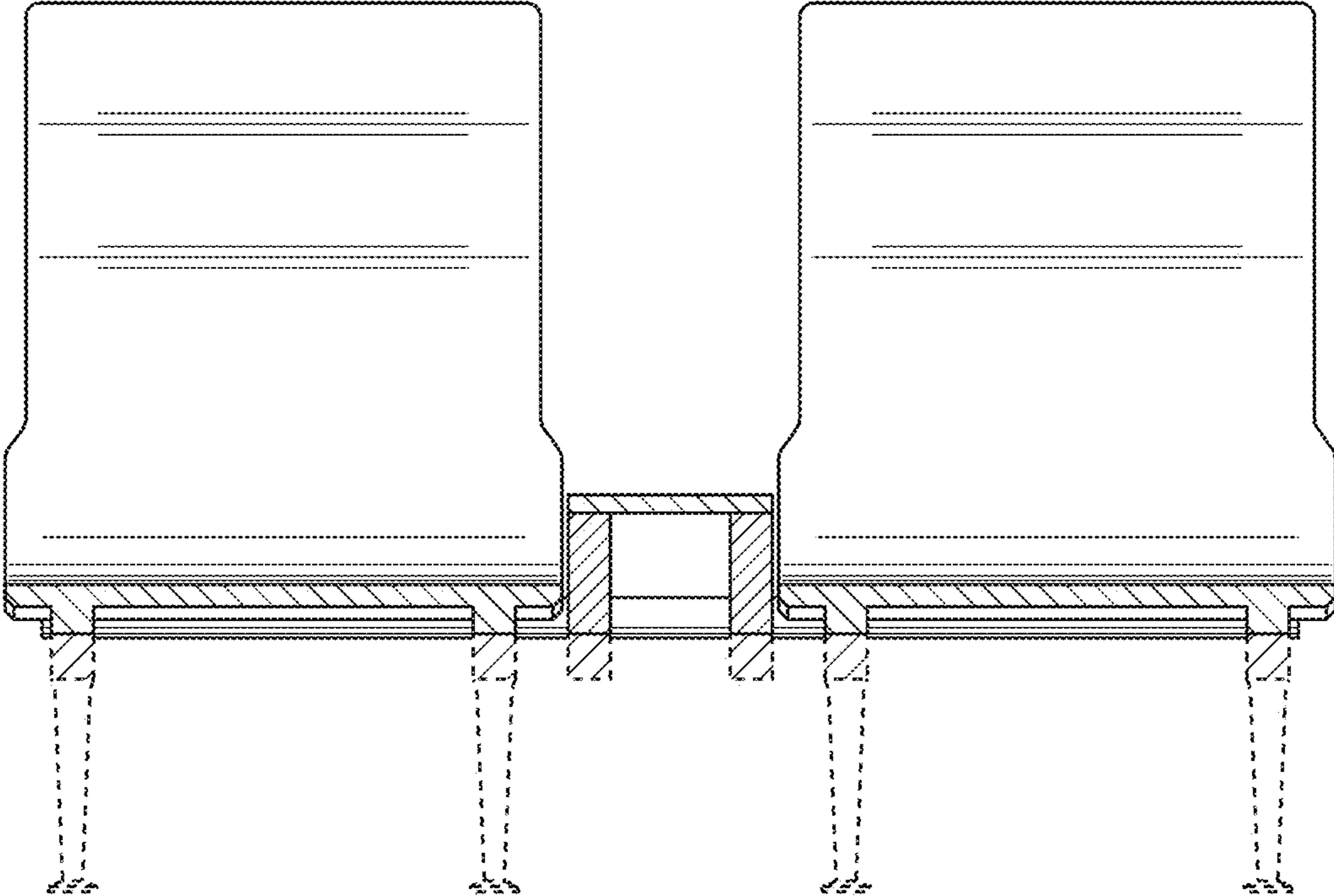


FIG. 9

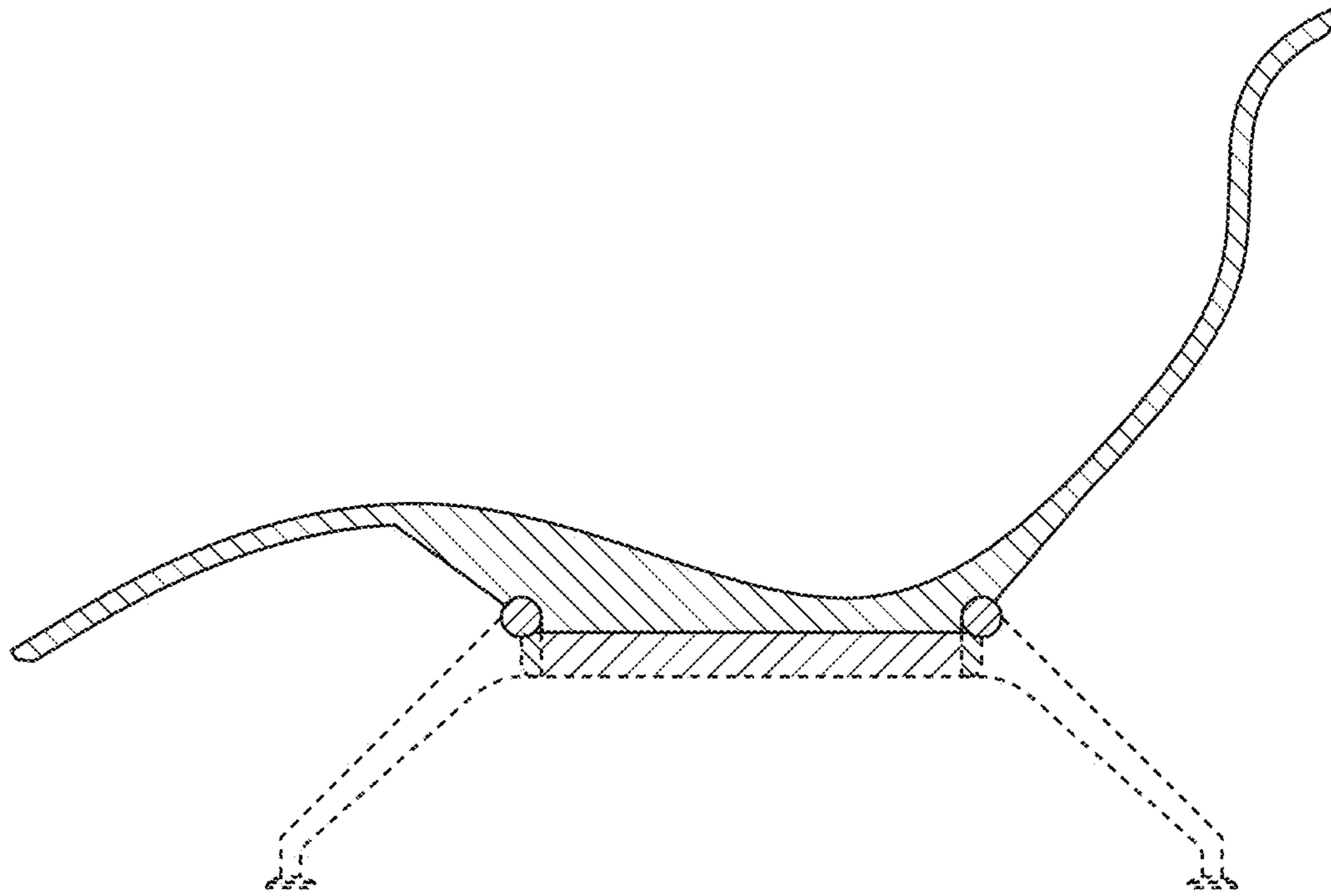


FIG. 10

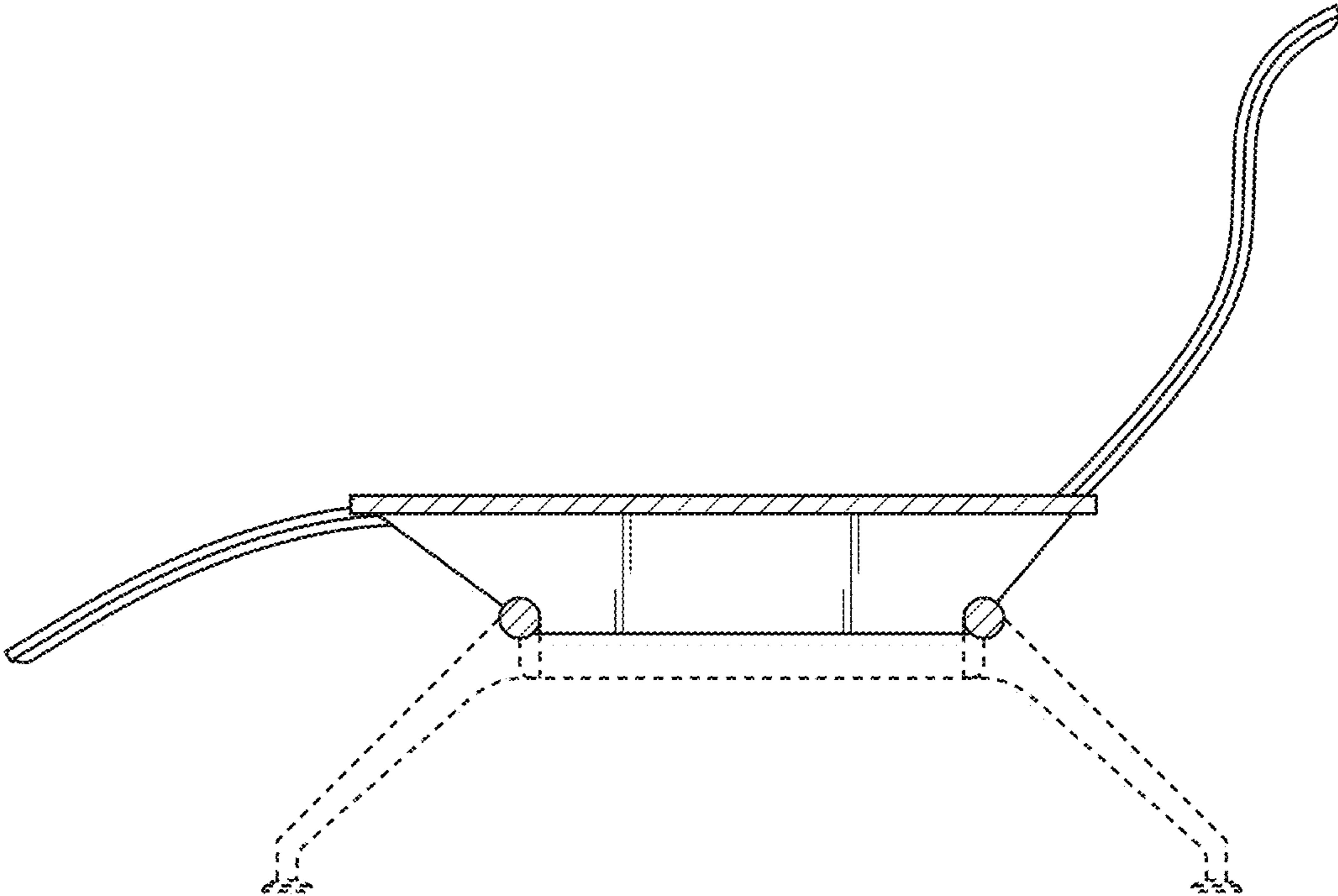


FIG. 11