



US00D870497S

(12) **United States Design Patent** (10) **Patent No.:** **US D870,497 S**
Hu (45) **Date of Patent:** **** Dec. 24, 2019**

(54) **INTERLACED FOLDABLE STORAGE SHELF**

(71) Applicant: **Yajun Hu**, El Dorado Hills, CA (US)

(72) Inventor: **Yajun Hu**, El Dorado Hills, CA (US)

(73) Assignees: **Yajun Hu**, El Dorado Hills, CA (US);
EUREKA LLC, El Dorado Hills, CA (US)

(**) Term: **15 Years**

(21) Appl. No.: **29/609,693**

(22) Filed: **Jul. 4, 2017**

(51) **LOC (12) Cl.** **06-06**

(52) **U.S. Cl.**
USPC **D6/680.3**

(58) **Field of Classification Search**
USPC D6/672, 673, 678, 680.2, 680.3, 682,
D6/682.1; D14/447, 451
CPC A47B 57/00; A47B 91/00; A47B 91/002;
A47B 91/005; A47B 96/00; A47B 96/021
See application file for complete search history.

(56) **References Cited**

U.S. PATENT DOCUMENTS

D245,783 S	9/1977	Fieni
D301,590 S	6/1989	Foran et al.
5,271,551 A	12/1993	Roepke
D354,516 S	1/1995	Crist et al.
D383,283 S	9/1997	Hankins, III
D424,117 S	5/2000	Steinbeck et al.
D433,711 S	11/2000	Andujar

D472,735 S	4/2003	Haugen	
D523,245 S	6/2006	Post	
D551,455 S	9/2007	Norvell	
D579,660 S	11/2008	Snider	
D626,237 S *	10/2010	Nordgren	D24/185
D642,183 S *	7/2011	Chinuki	F16M 11/28 D14/451
D644,491 S	9/2011	Snider	
D651,405 S	1/2012	Lee	
D722,696 S *	2/2015	Blomquist	D24/164
D765,447 S *	9/2016	Barham	D6/682
D837,221 S *	1/2019	Janzen	D14/447
2018/0008042 A1 *	1/2018	Kogon	A47B 47/027
2018/0116393 A1 *	5/2018	Gonzalez	A47B 31/04

* cited by examiner

Primary Examiner — Kelley A Donnelly

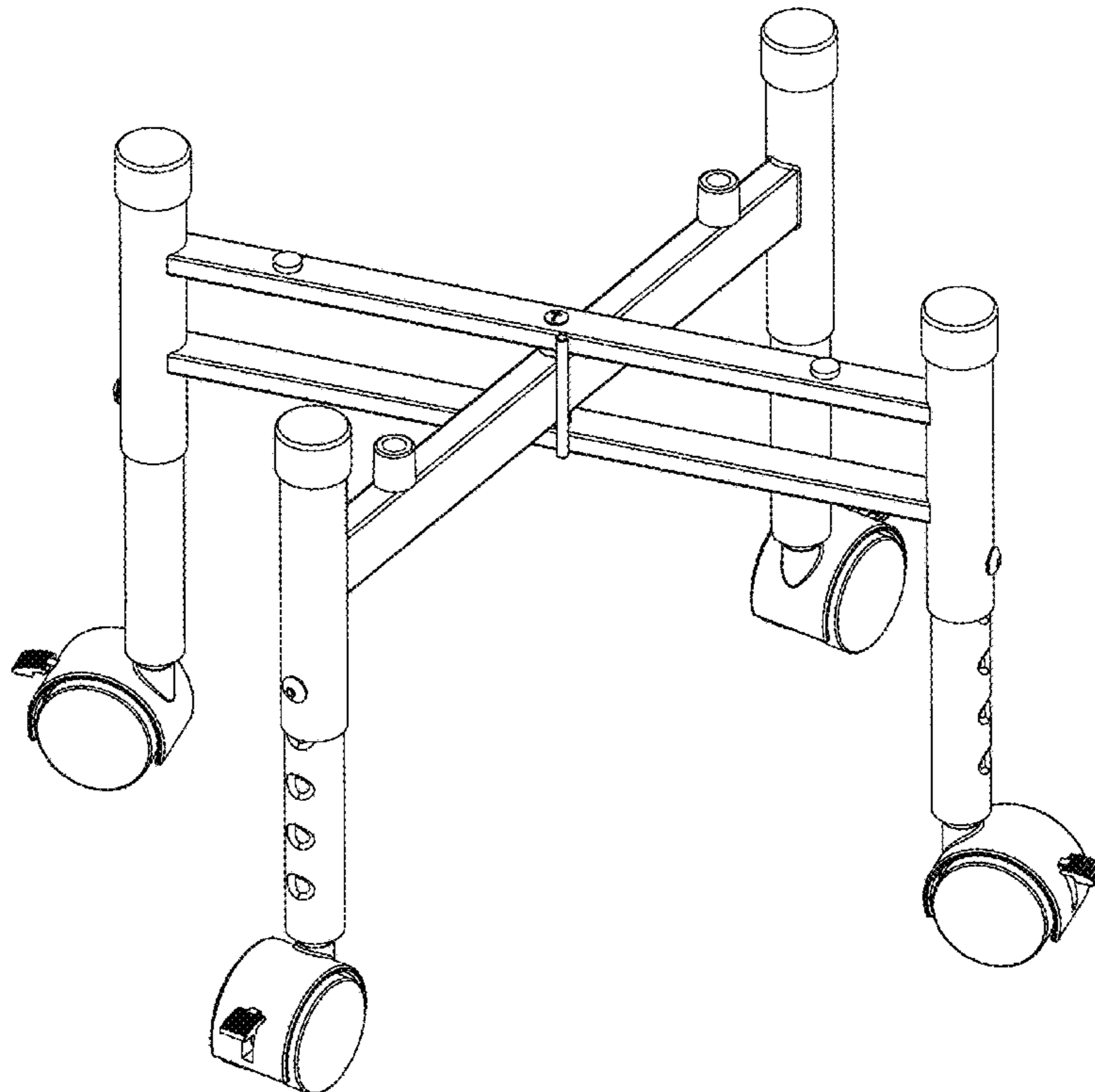
(57) **CLAIM**

The ornamental design for an interlaced foldable storage shelf, as shown and described.

DESCRIPTION

FIG. 1 is a perspective view of interlaced foldable storage shelf;
 FIG. 2 is a front view thereof;
 FIG. 3 is a bottom view thereof;
 FIG. 4 is a top view thereof;
 FIG. 5 is a rear side view thereof;
 FIG. 6 is a left side view thereof; and,
 FIG. 7 is a right side view thereof.
 The broken lines depict portions of the article that form no part of the claimed design.

1 Claim, 7 Drawing Sheets



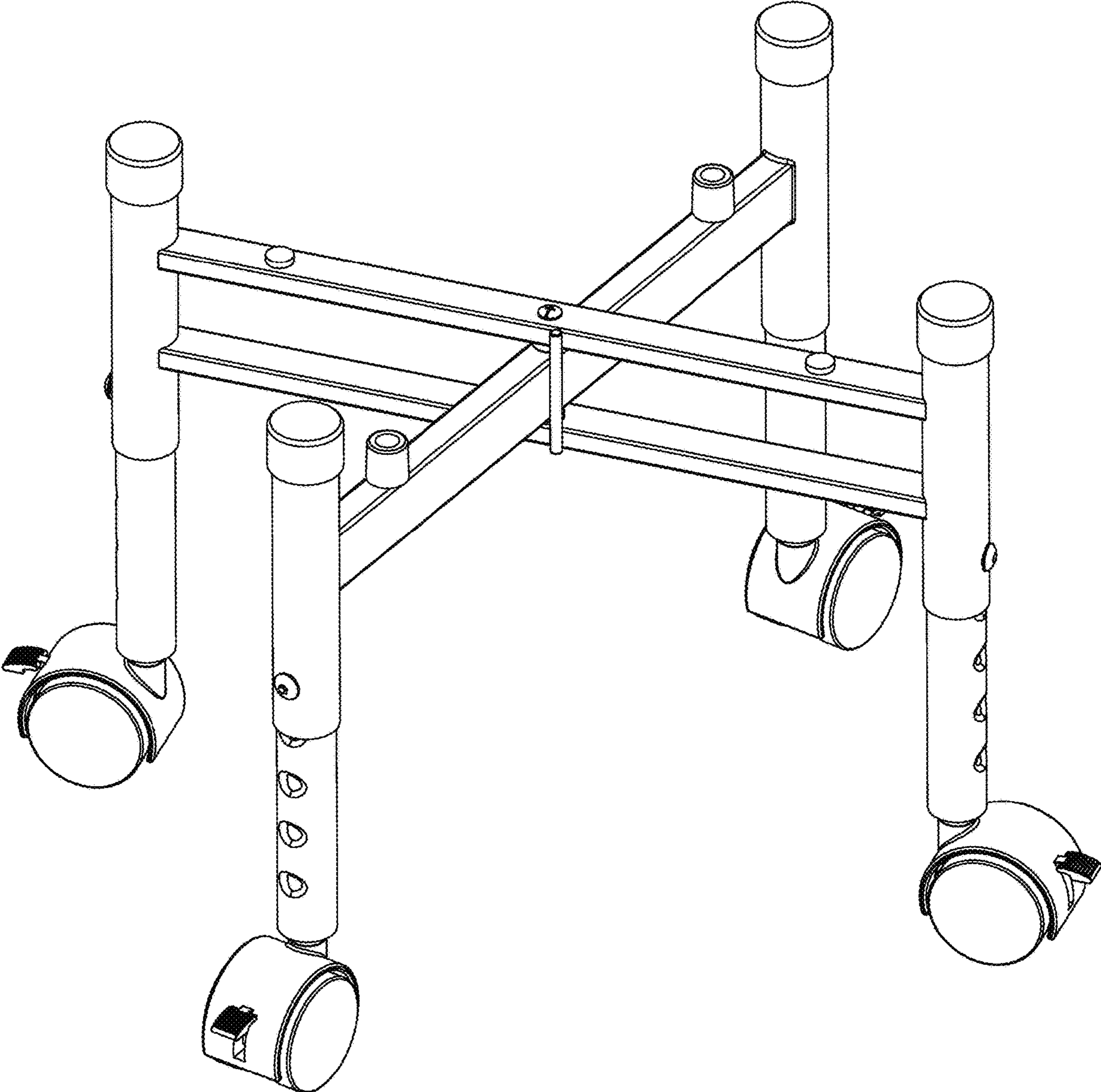


FIG. 1

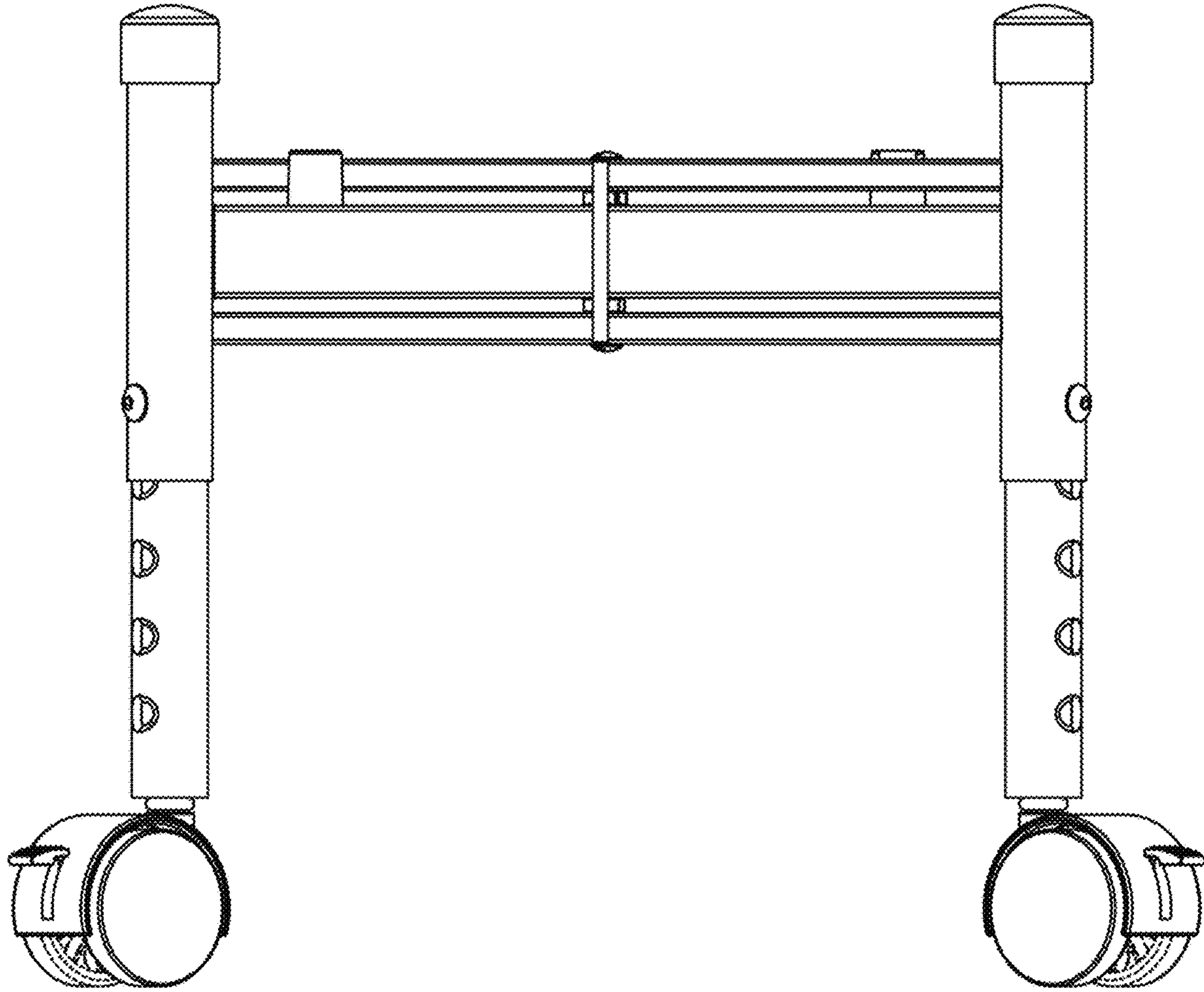


FIG. 2

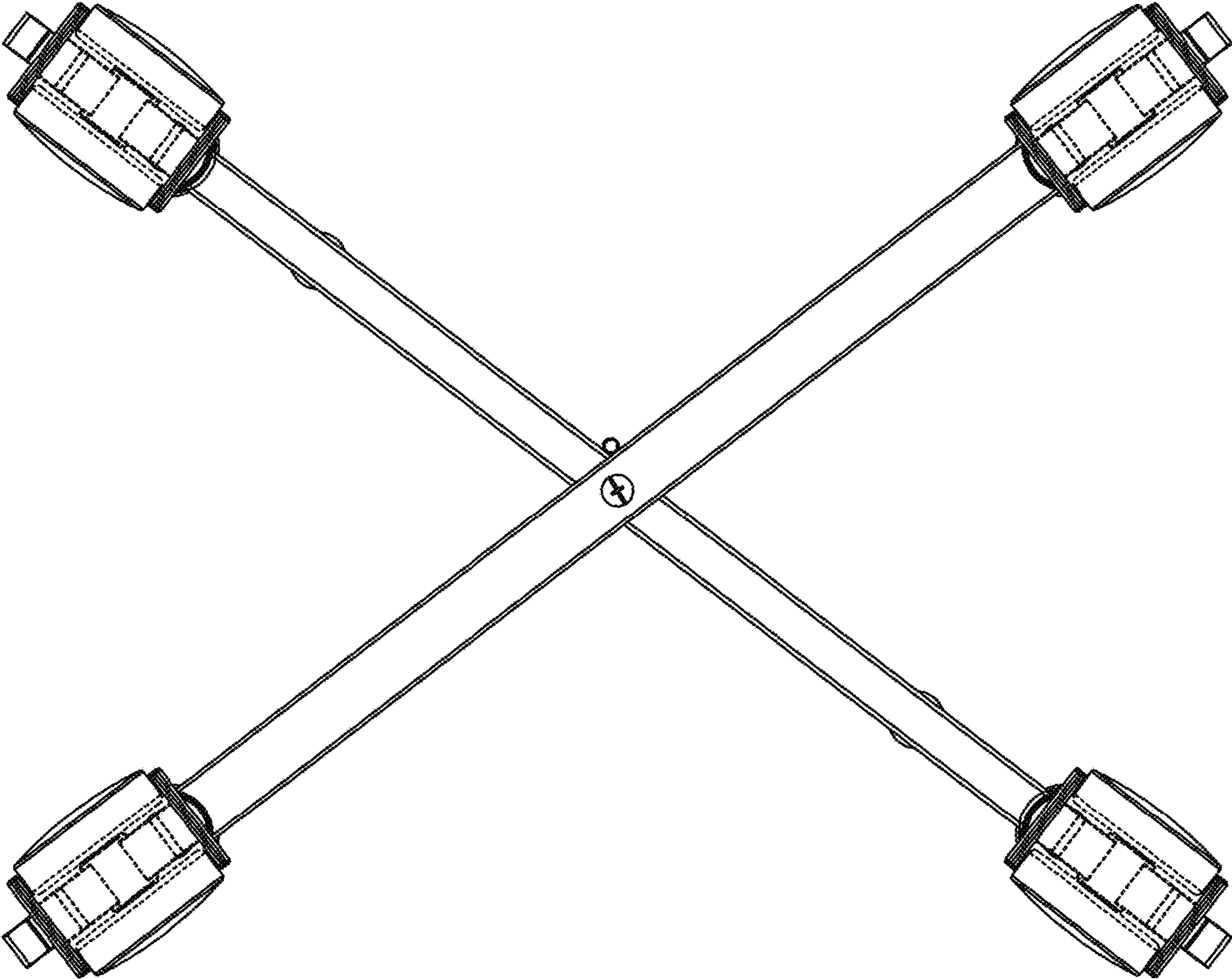


FIG. 3

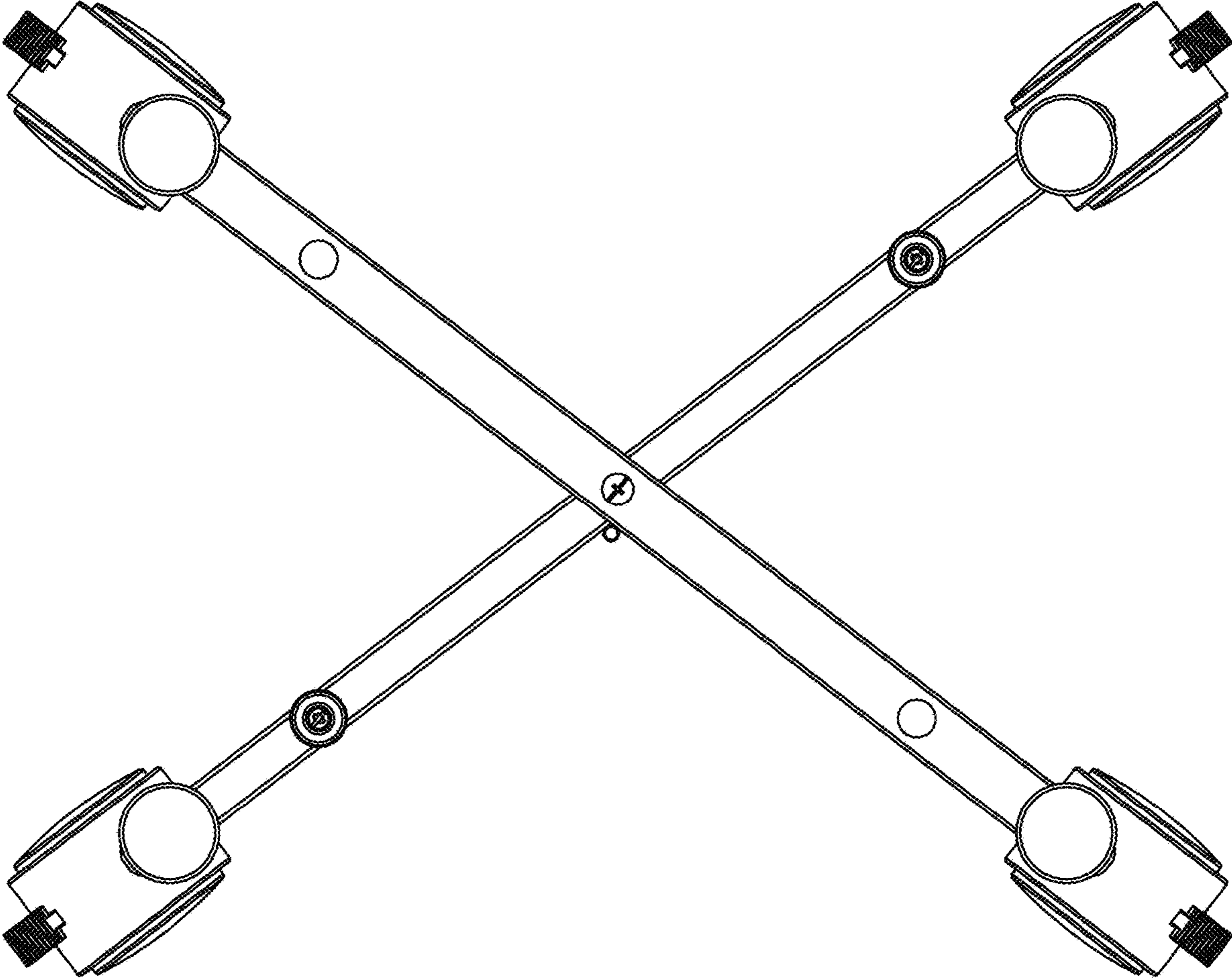


FIG. 4

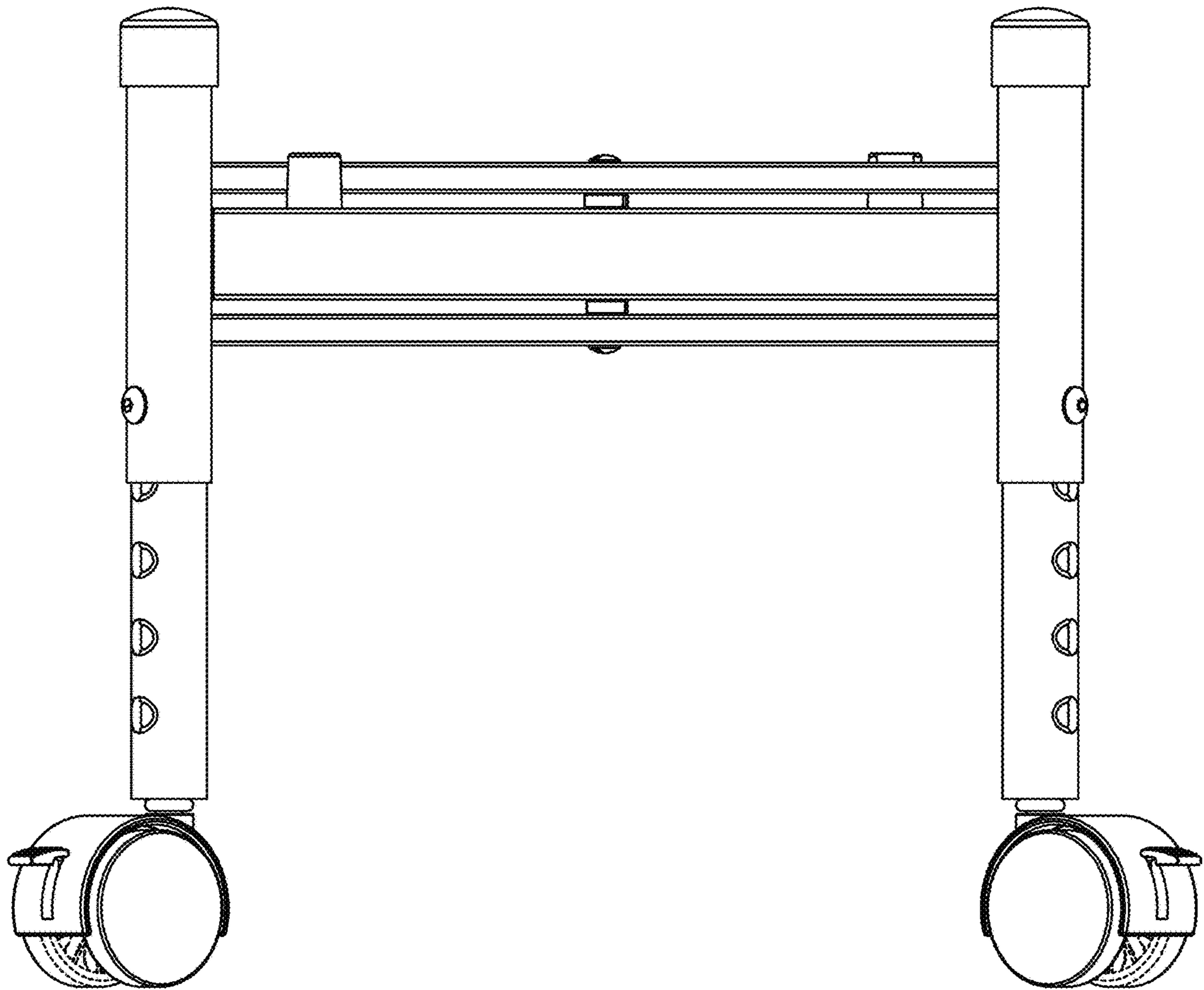


FIG. 5

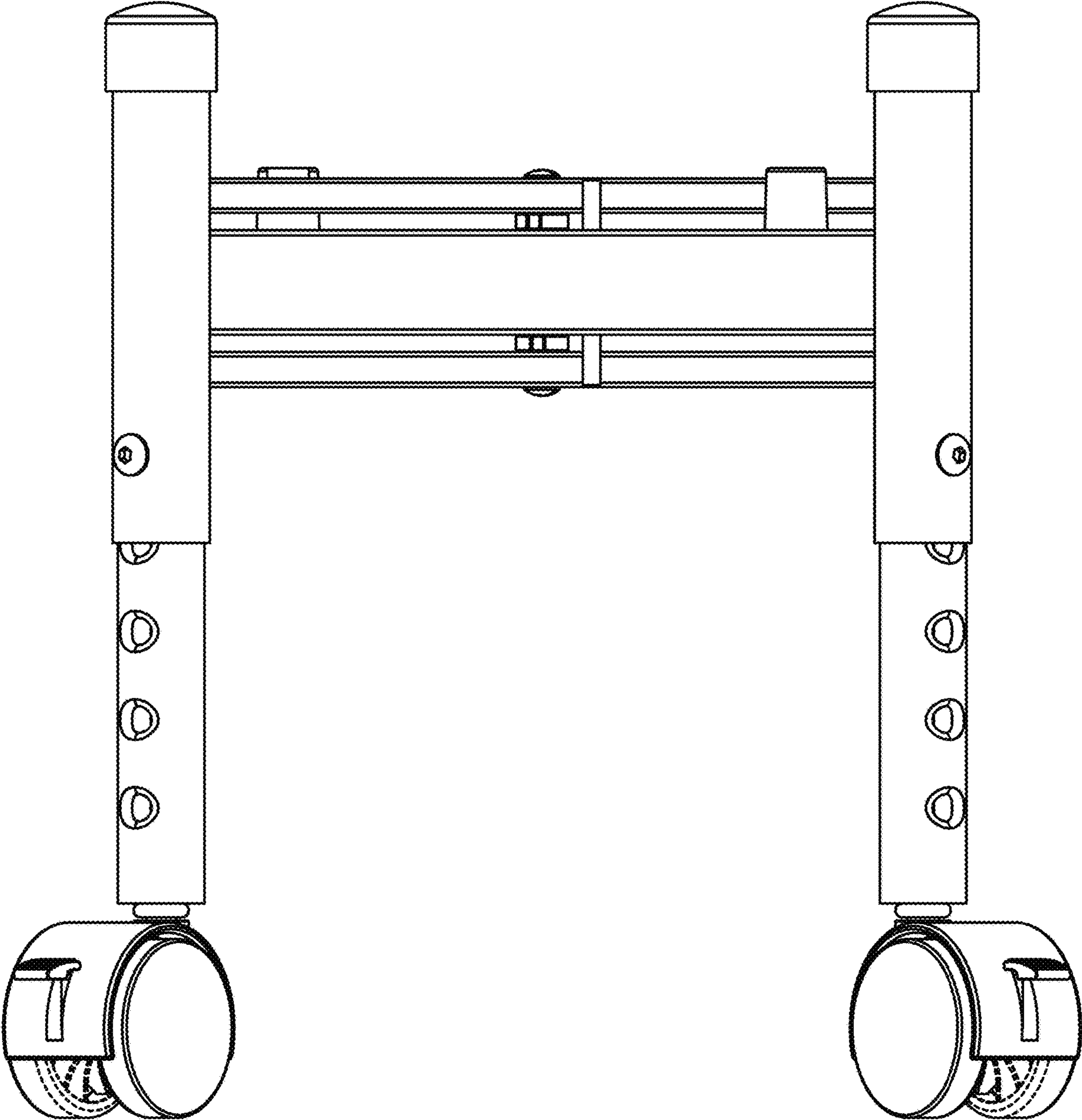


FIG. 6

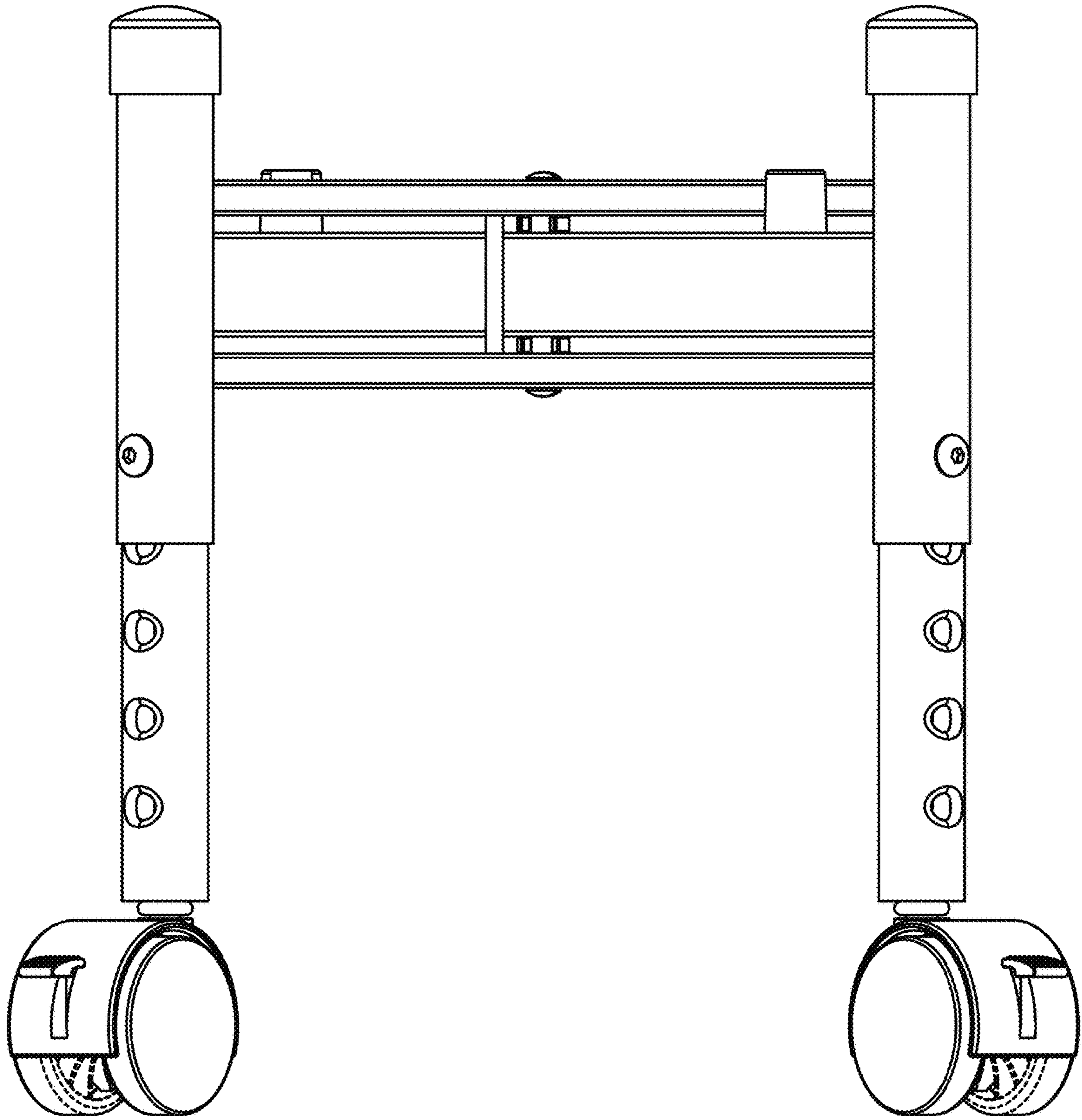


FIG. 7