



US00D870491S

(12) **United States Design Patent** (10) **Patent No.:** **US D870,491 S**
Hu (45) **Date of Patent:** **** Dec. 24, 2019**

- (54) **HEIGHT ADJUSTABLE DESK**
- (71) Applicant: **Yajun Hu**, El Dorado Hills, CA (US)
- (72) Inventor: **Yajun Hu**, El Dorado Hills, CA (US)
- (73) Assignees: **Yajun Hu**, El Dorado Hills, CA (US); **EUREKA LLC.**, El Dorado Hills, CA (US)
- (**) Term: **15 Years**
- (21) Appl. No.: **29/606,646**
- (22) Filed: **Jun. 6, 2017**
- (51) **LOC (12) Cl.** **06-03**
- (52) **U.S. Cl.**
USPC **D6/655.2**
- (58) **Field of Classification Search**
USPC D6/353, 368, 642, 655, 655.1, 655.13, D6/655.14, 655.2, 655.21, 686, 687, 691, D6/691.9, 704
CPC A47B 1/00; A47B 7/00; A47B 9/00; A47B 9/10; A47B 9/16; A47B 2009/006; A47B 11/00; A47B 13/00; A47B 13/081; A47B 21/0073; A47B 21/02; A47B 21/03; A47B 2200/005; A47B 2200/0064
See application file for complete search history.

- (56) **References Cited**
U.S. PATENT DOCUMENTS

4,703,700 A	11/1987	Sema	
D478,225 S	8/2003	Wang	
D499,273 S	12/2004	Chang	
D499,576 S	12/2004	Long	
D526,812 S	8/2006	Chen	
D547,970 S	8/2007	Chou	
D549,009 S	8/2007	Lin	
8,118,375 B2	2/2012	Berthiaume et al.	
D666,027 S *	8/2012	Behnisch	D6/655.2
9,572,422 B2	2/2017	Ergun et al.	
D781,617 S *	3/2017	Flaherty	D6/655
D781,618 S *	3/2017	Flaherty	D6/655

- D781,619 S * 3/2017 Flaherty D6/655
- 9,591,919 B2 3/2017 Ergun et al.
- D784,050 S * 4/2017 Flaherty D6/655
- 9,635,932 B2 5/2017 Kelley et al.
- D814,214 S * 4/2018 Flaherty D6/648
- D815,463 S * 4/2018 Kobayashi D6/655.2
- D832,002 S * 10/2018 Hu D6/655.13

(Continued)

OTHER PUBLICATIONS

Eureka, posted at Amazon.com, posted on Aug. 30, 2017, site visited Aug. 14, 2019. online, available from internet: <https://www.amazon.com/Eureka-Ergonomic-Height-Adjustable-Sit-Stand-2-Inch-Wide/dp/B07585C76B> (Year: 2017).*

Primary Examiner — Mary Ann Calabrese
Assistant Examiner — Catherine Ho

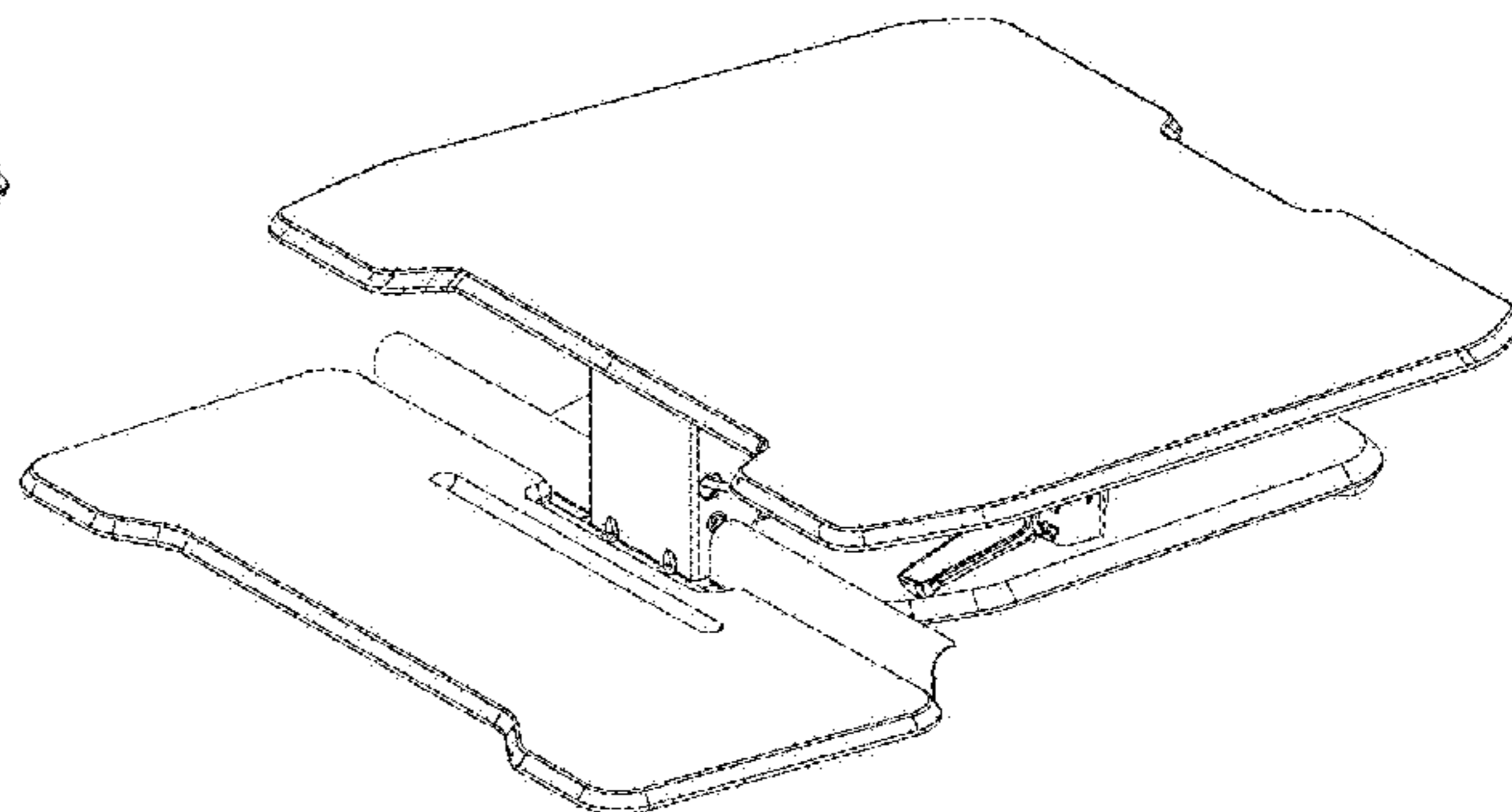
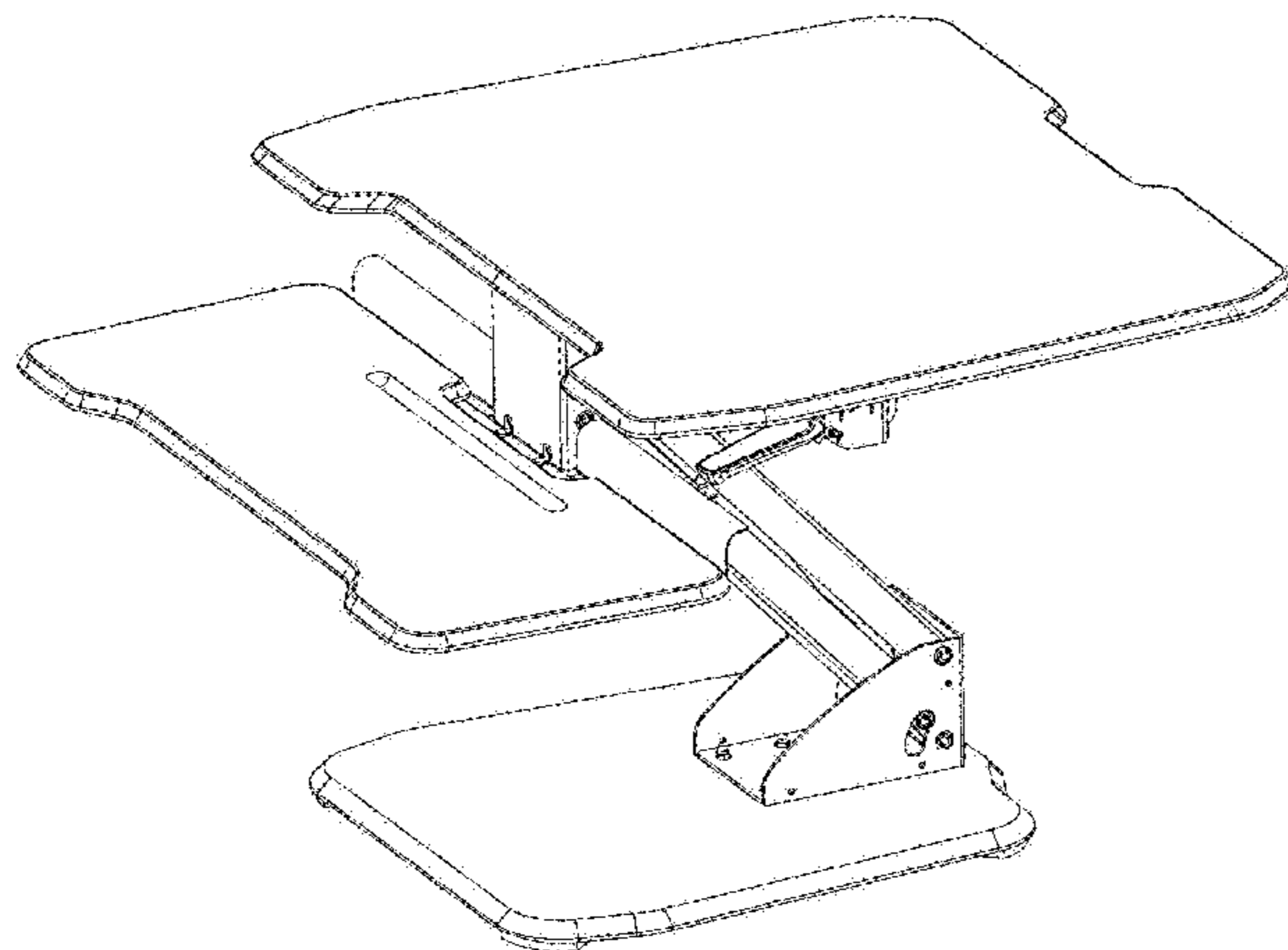
(57) **CLAIM**

The ornamental design for a height adjustable desk, as shown and described.

DESCRIPTION

FIG. 1 is a perspective view of the height adjustable desk in an extended position, showing my new design;
FIG. 2 is a front view thereof;
FIG. 3 is a bottom view thereof;
FIG. 4 is a top view thereof;
FIG. 5 is a rear side view thereof;
FIG. 6 is a left side view thereof;
FIG. 7 is a right side view thereof;
FIG. 8 is a perspective view of the height adjustable desk in a collapsed position;
FIG. 9 is a front view thereof;
FIG. 10 is a bottom view thereof;
FIG. 11 is a top view thereof;
FIG. 12 is a rear side view thereof;
FIG. 13 is a left side view thereof; and
FIG. 14 is a right side view thereof.

1 Claim, 14 Drawing Sheets



(56)

References Cited

U.S. PATENT DOCUMENTS

D841,369 S *	2/2019	Hu	D6/655
D843,137 S *	3/2019	Hu	D6/655
D845,037 S *	4/2019	Min	D6/655
D852,548 S *	7/2019	Hu	D6/655
2019/0110588 A1 *	4/2019	Wong	A47B 9/16

* cited by examiner

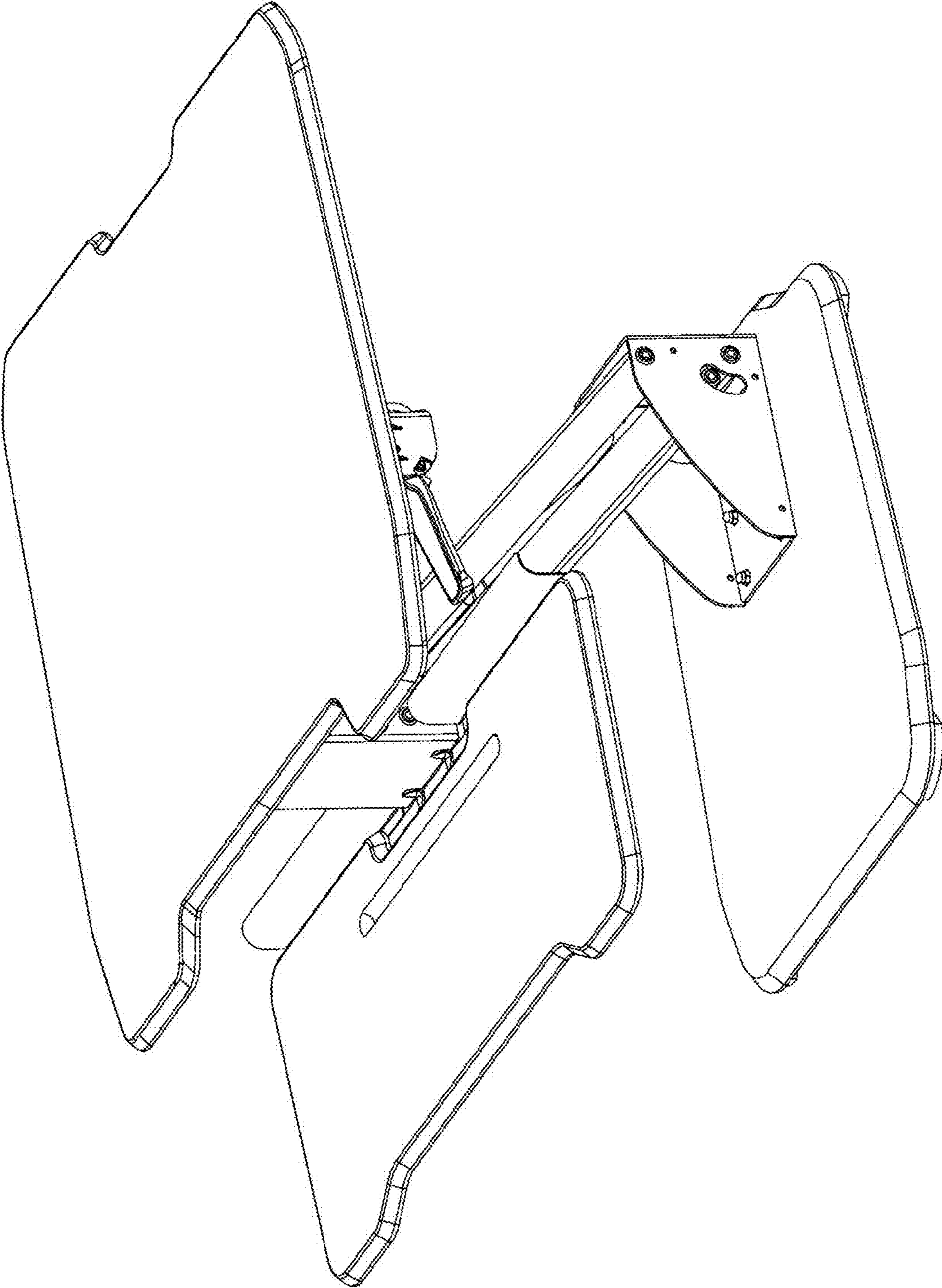


FIG. 1

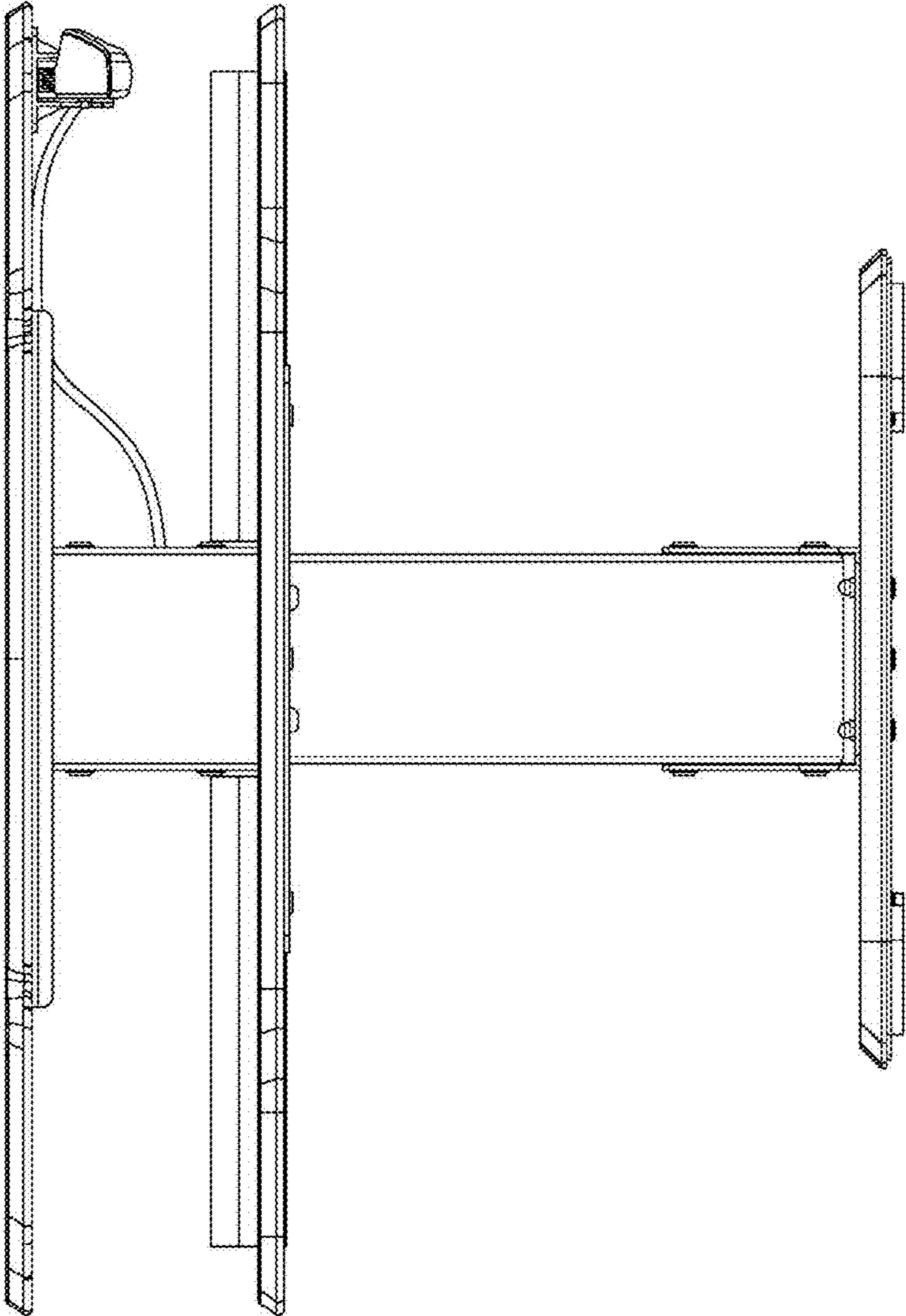


FIG. 2

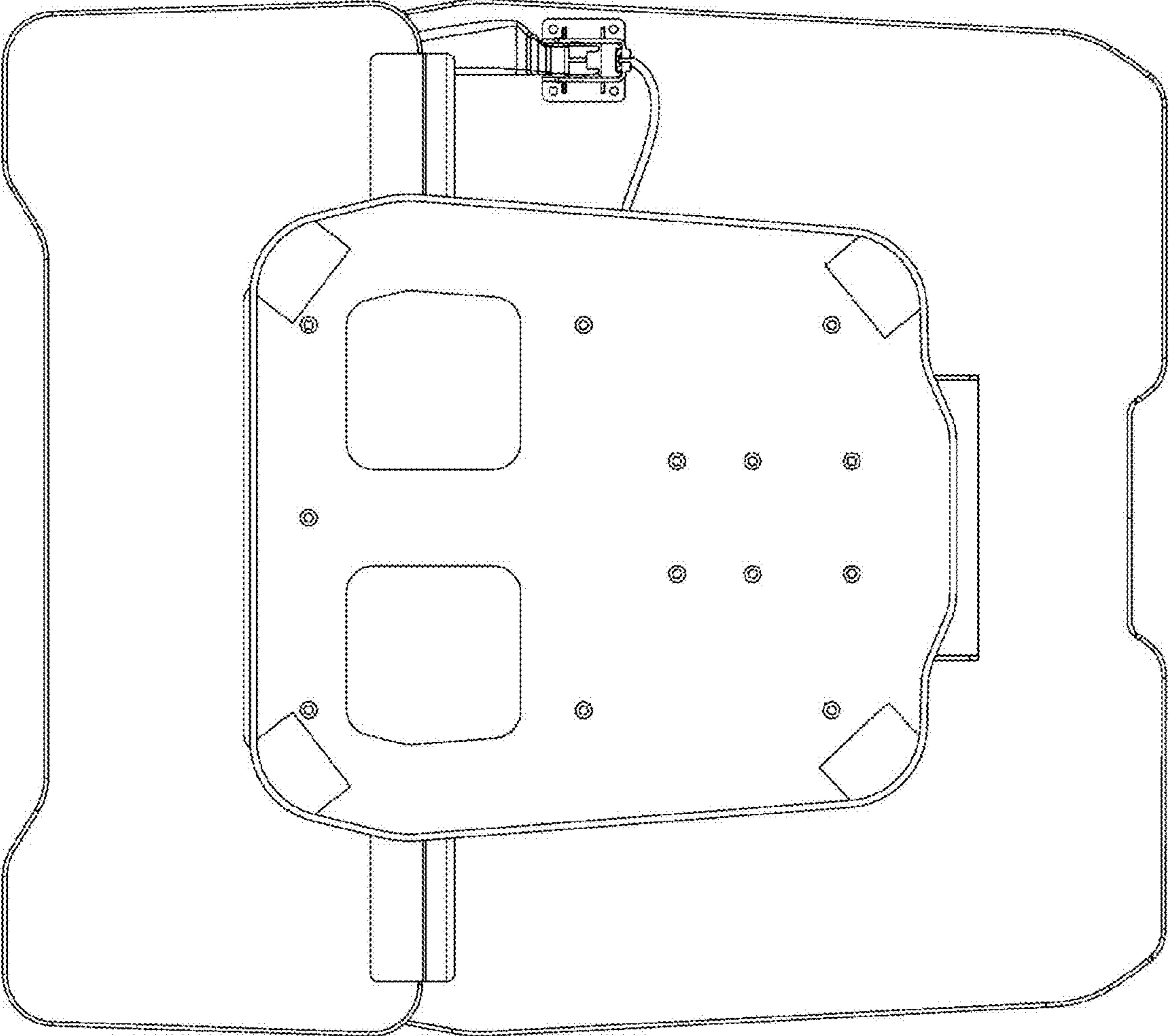


FIG. 3

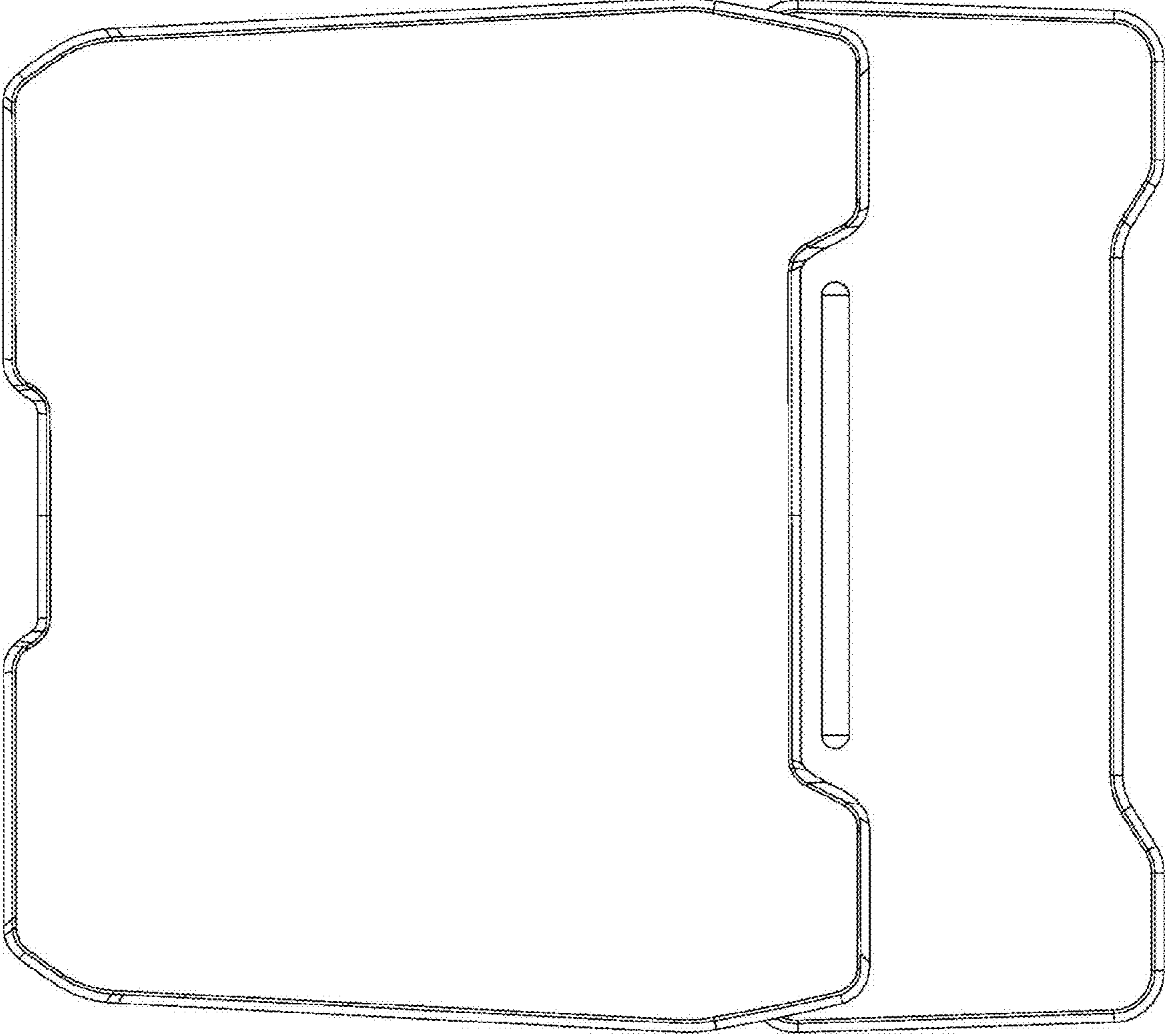


FIG. 4

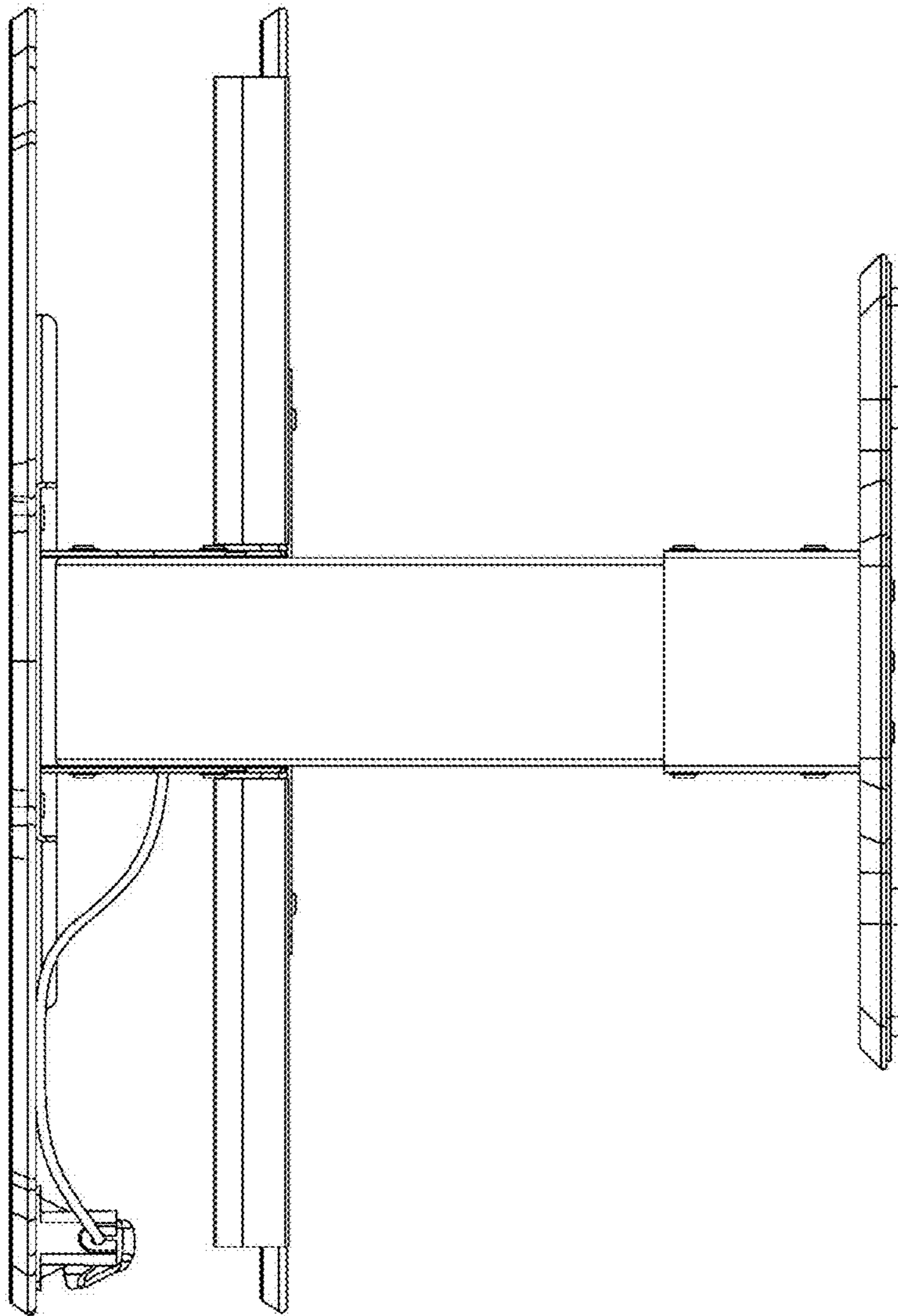


FIG. 5

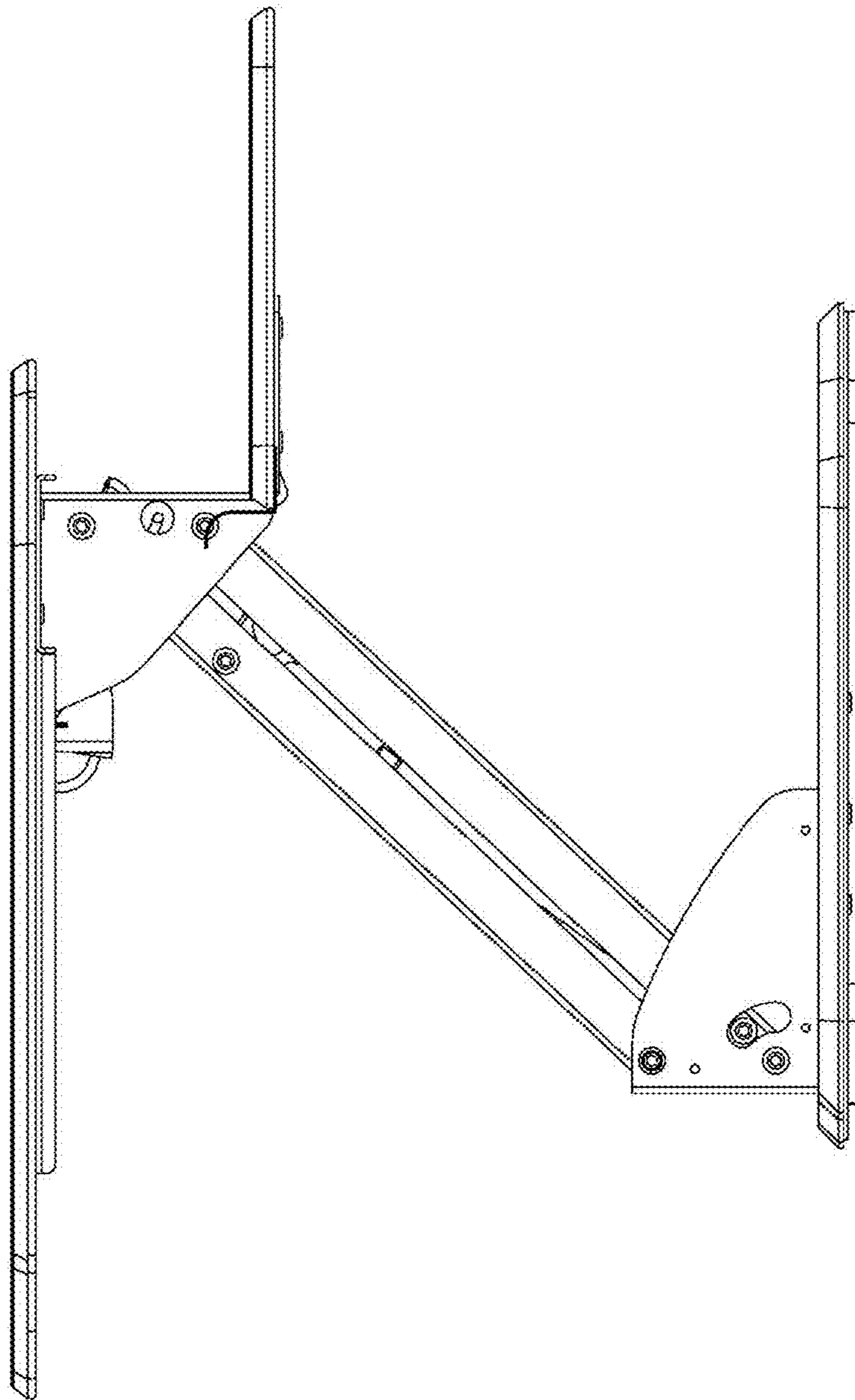


FIG. 6

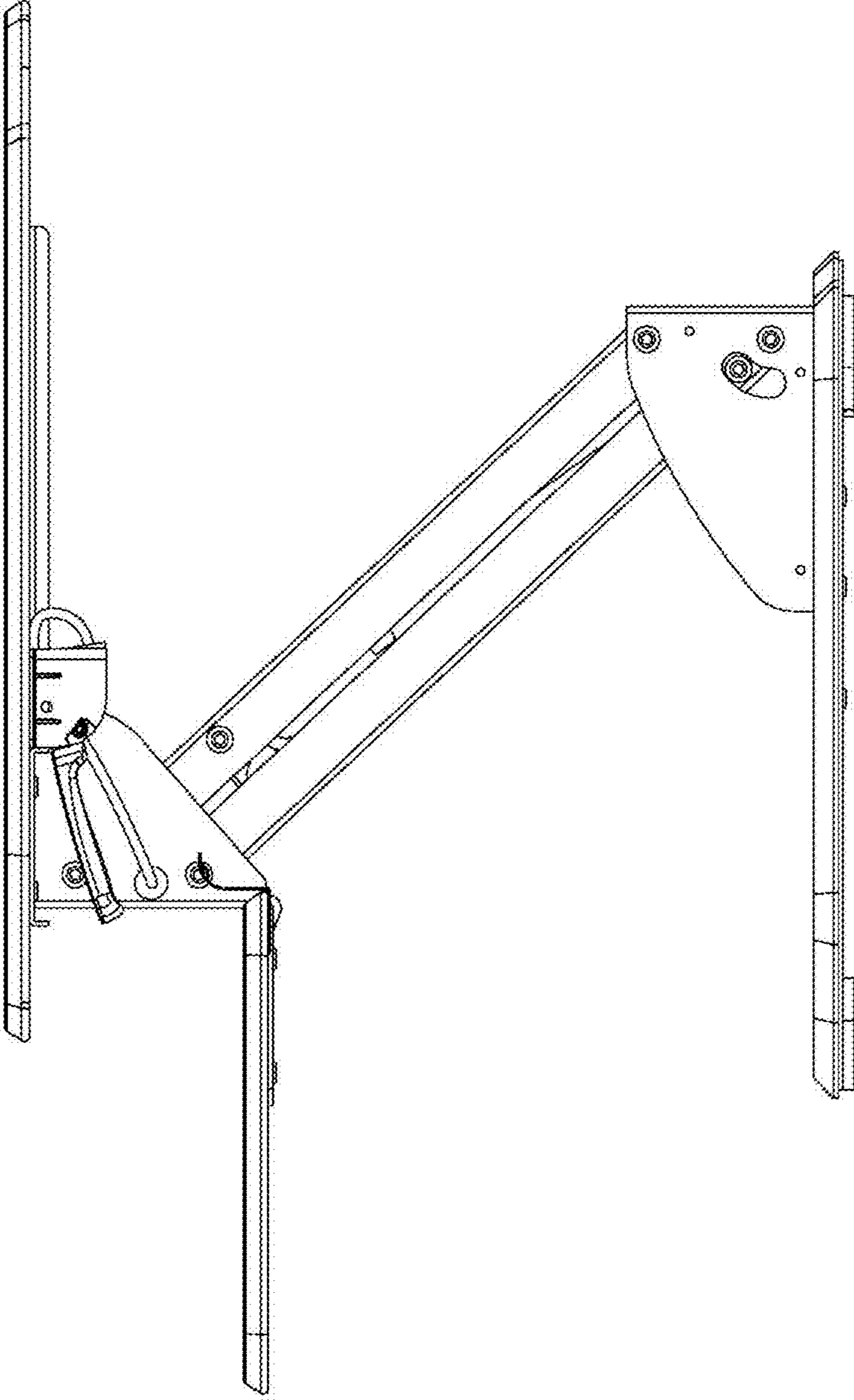


FIG. 7

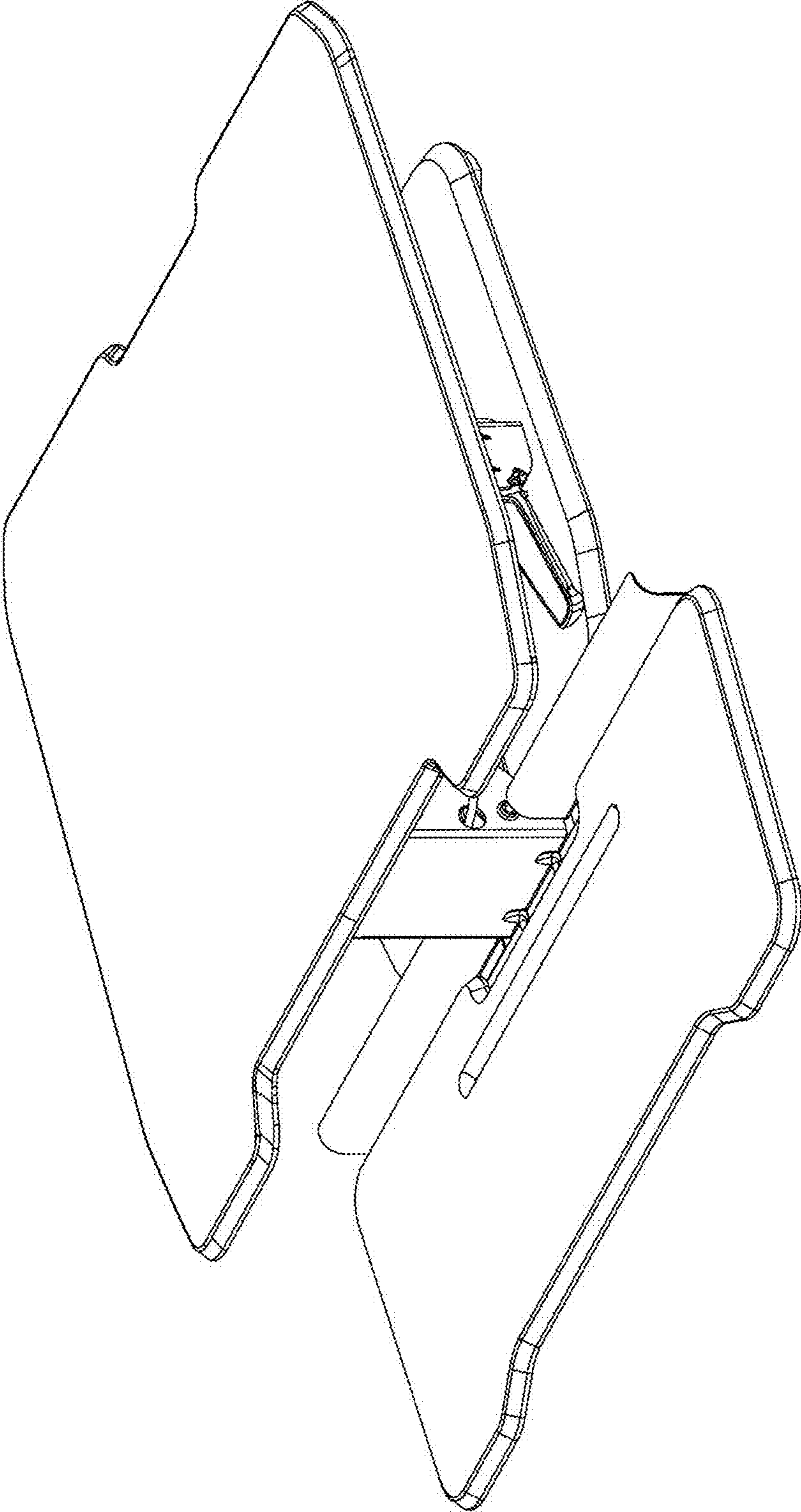


FIG. 8

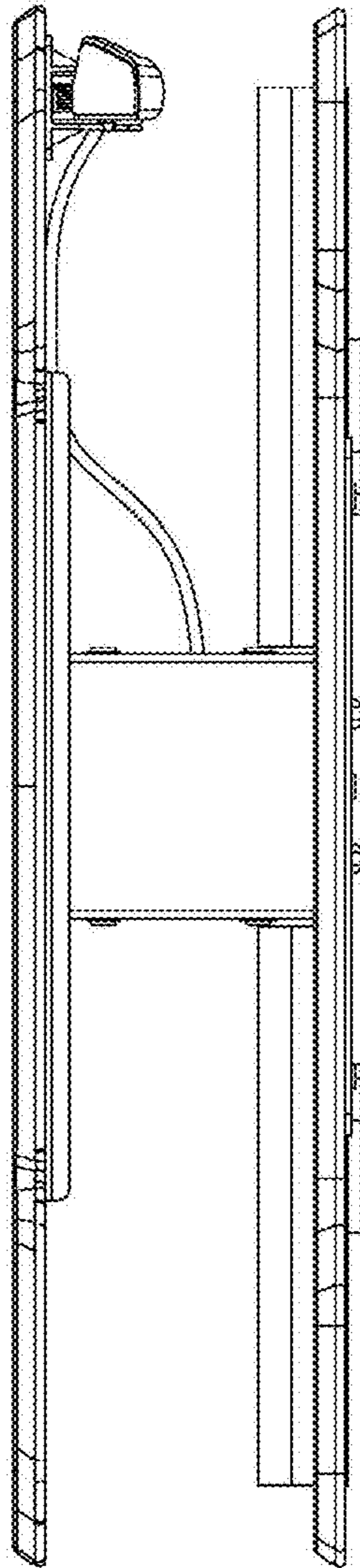


FIG. 9

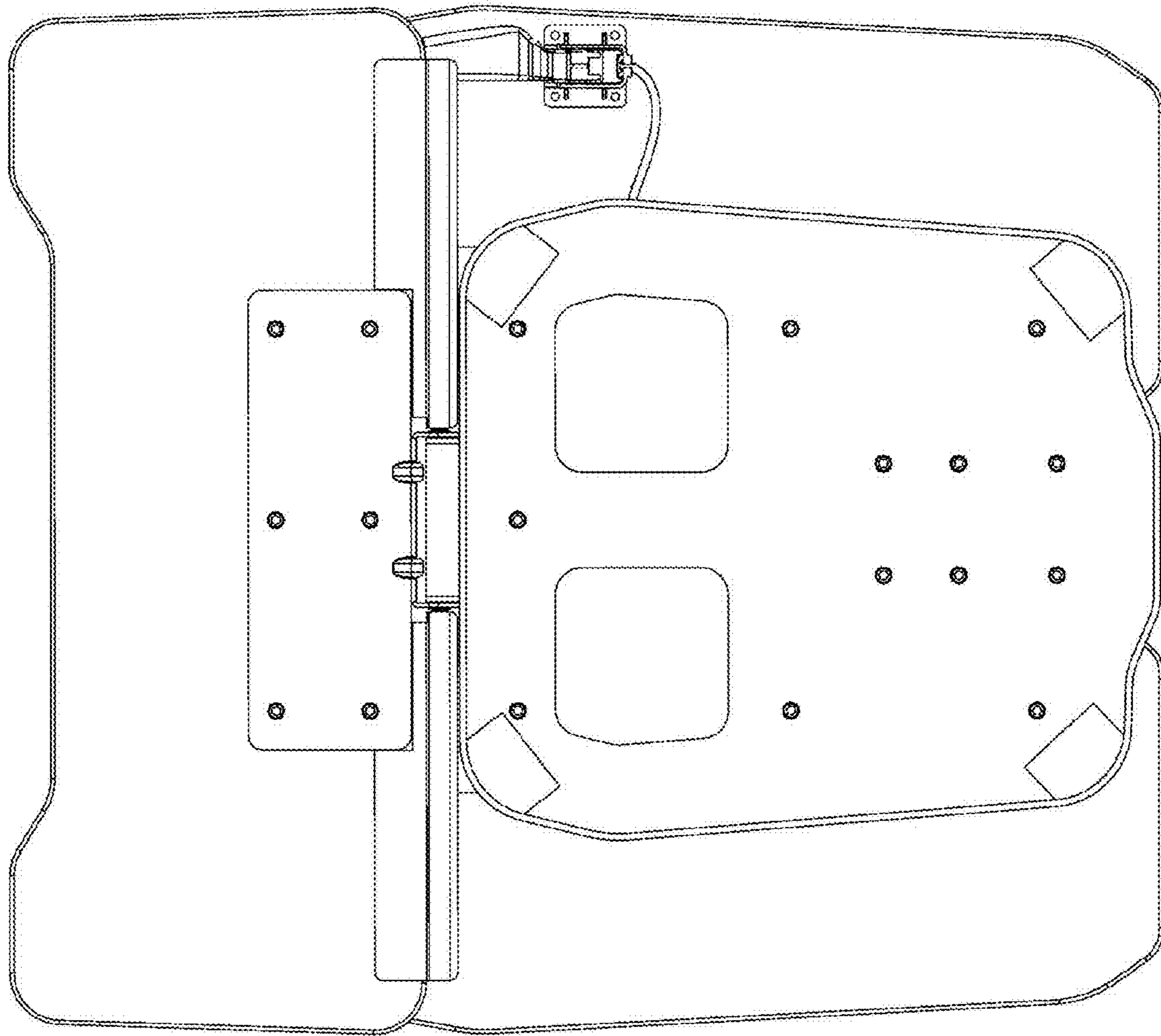


FIG. 10

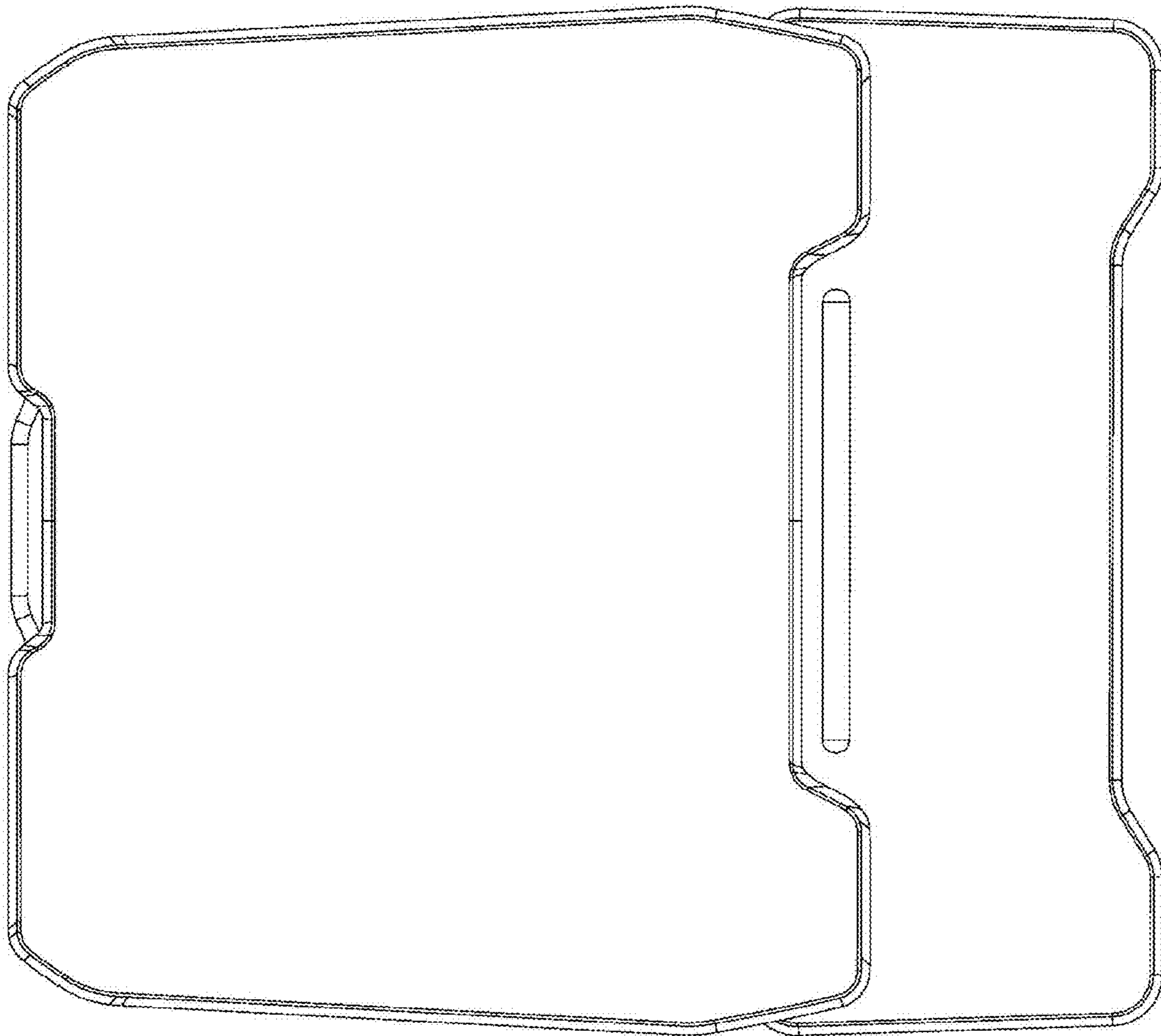


FIG. 11

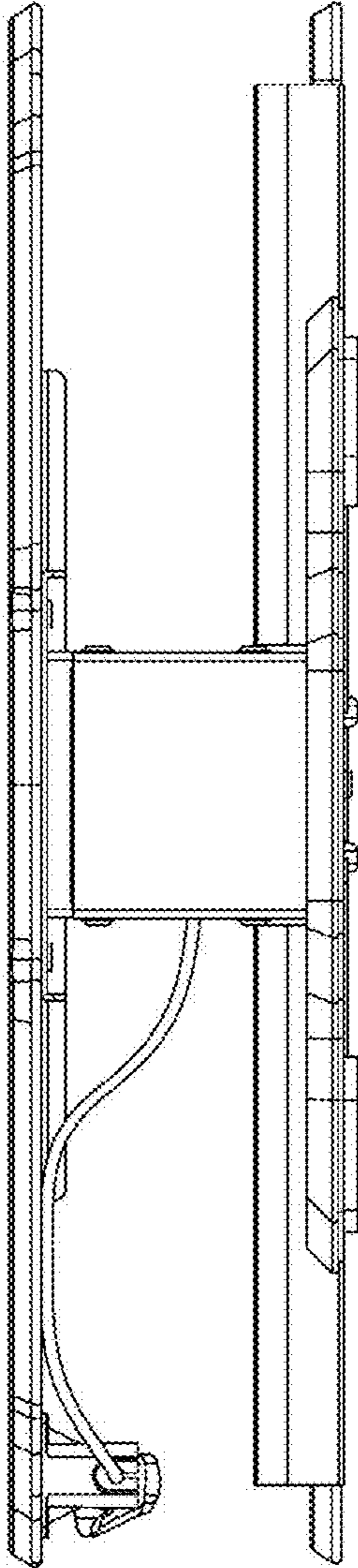


FIG. 12

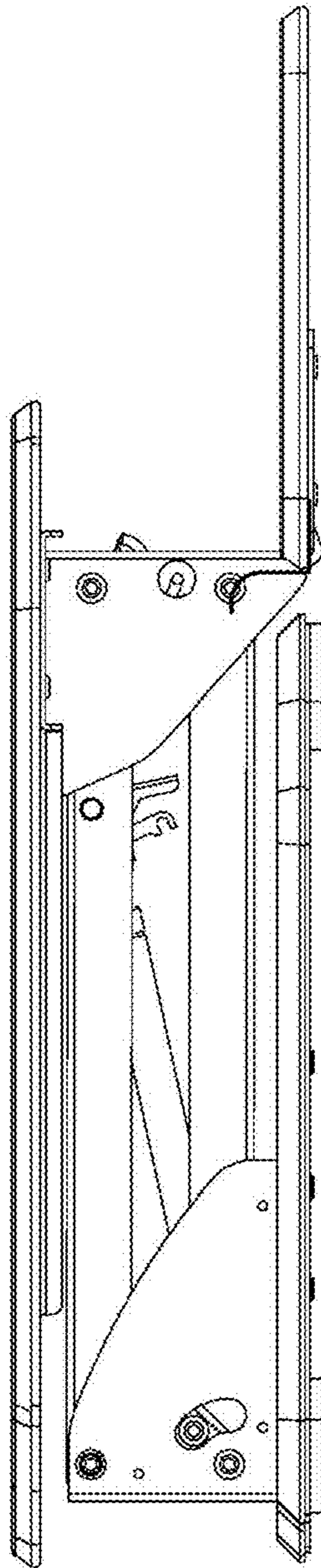


FIG. 13

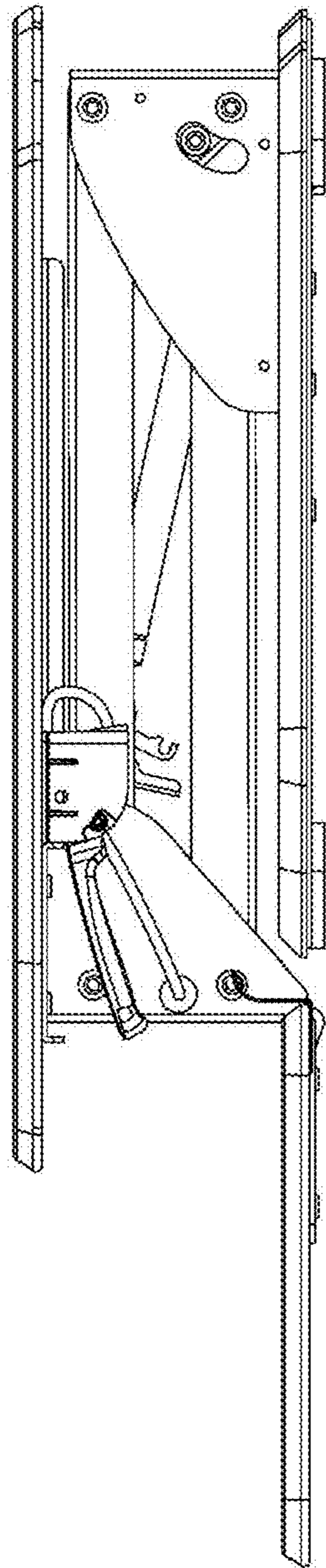


FIG. 14