



US00D870490S

(12) **United States Design Patent** (10) **Patent No.:** **US D870,490 S**
Hu (45) **Date of Patent:** **** Dec. 24, 2019**

(54) **HEIGHT ADJUSTABLE DESK**
(71) Applicant: **Yajun Hu**, El Dorado Hills, CA (US)
(72) Inventor: **Yajun Hu**, El Dorado Hills, CA (US)
(73) Assignees: **Yajun Hu**, El Dorado Hills, CA (US);
EUREKA LLC., El Dorado Hills, CA (US)

D781,617 S * 3/2017 Flaherty D6/655
D781,618 S * 3/2017 Flaherty D6/655
D781,619 S * 3/2017 Flaherty D6/655
D784,050 S * 4/2017 Flaherty D6/655
D814,214 S * 4/2018 Flaherty D6/648
D832,002 S * 10/2018 Hu D6/655.13
D841,369 S * 2/2019 Hu D6/655
D843,137 S * 3/2019 Hu D6/655

(Continued)

(**) Term: **15 Years**
(21) Appl. No.: **29/604,654**
(22) Filed: **May 18, 2017**
(51) **LOC (12) Cl.** **06-03**
(52) **U.S. Cl.**
USPC **D6/655**
(58) **Field of Classification Search**
USPC D6/353, 368, 642, 655, 655.1, 655.13,
D6/655.14, 655.2, 655.21, 686, 687, 691,
D6/691.9, 704
CPC A47B 1/00; A47B 7/00; A47B 9/00; A47B
9/10; A47B 9/16; A47B 2009/006; A47B
11/00; A47B 13/00; A47B 13/081; A47B
21/0073; A47B 21/02; A47B 21/03; A47B
2200/005; A47B 2200/0064
See application file for complete search history.

OTHER PUBLICATIONS

Eureka, posted at Amazon.com, posted on Sep. 20, 2017, site visited Aug. 14, 2019. online, available from internet: <https://www.amazon.com/dp/B075S5DRKV> (Year: 2017).*

Primary Examiner — Mary Ann Calabrese
Assistant Examiner — Catherine Ho

(57) **CLAIM**

The ornamental design for a height adjustable desk, as shown and described.

DESCRIPTION

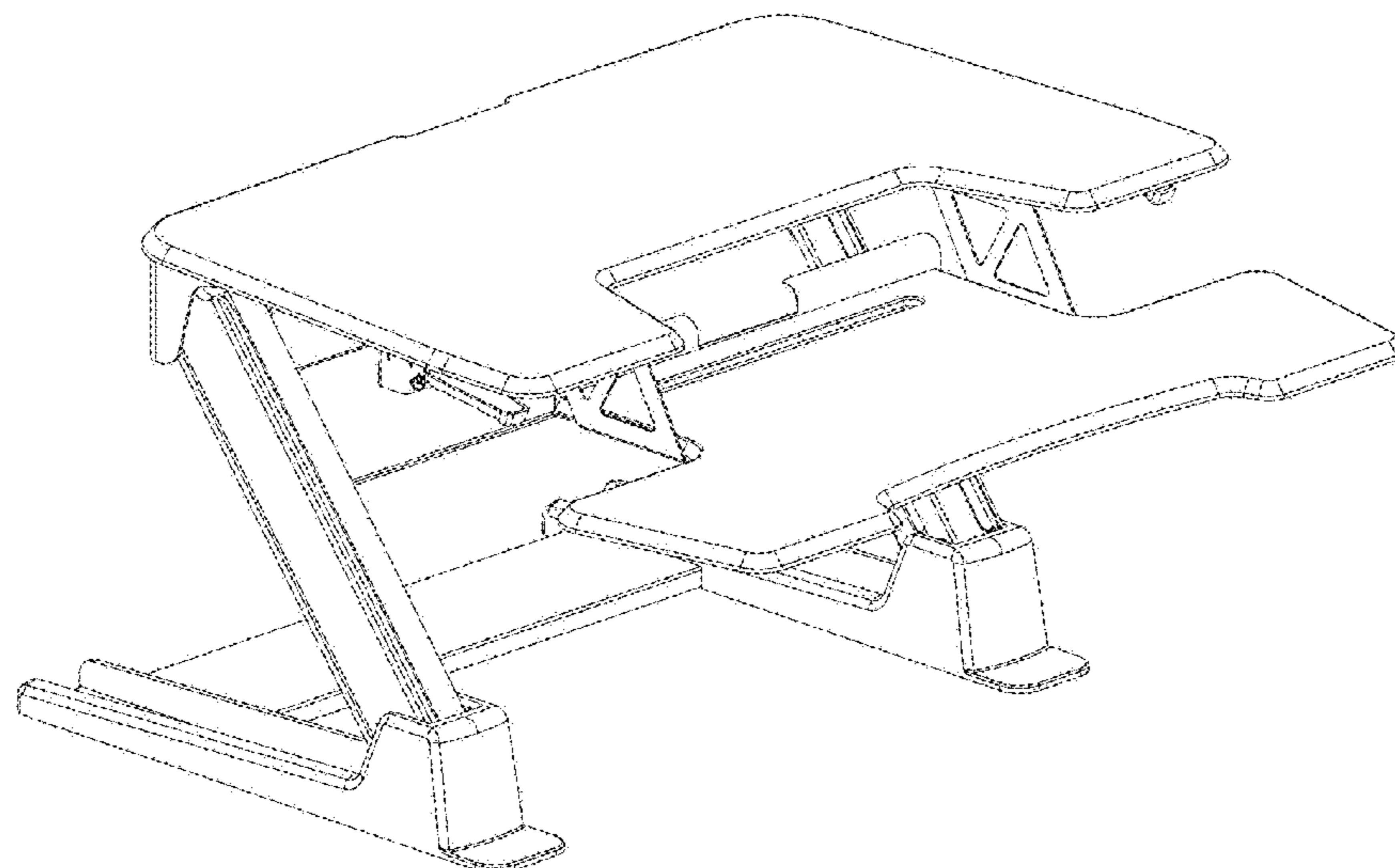
FIG. 1 is a perspective view of the height adjustable desk in an extended position, showing my new design;
FIG. 2 is a front view thereof;
FIG. 3 is a bottom view thereof;
FIG. 4 is a top view thereof;
FIG. 5 is a rear side view thereof;
FIG. 6 is a left side view thereof;
FIG. 7 is a right side view thereof;
FIG. 8 is a perspective view of the height adjustable desk in a collapsed position;
FIG. 9 is a front view thereof;
FIG. 10 is a bottom view thereof;
FIG. 11 is a top view thereof;
FIG. 12 is a rear side view thereof;
FIG. 13 is a left side view thereof; and,
FIG. 14 is a right side view thereof.

(56) **References Cited**

U.S. PATENT DOCUMENTS

D478,225 S 8/2003 Wang
D499,273 S 12/2004 Chang
D499,576 S 12/2004 Long
D526,812 S 8/2006 Chen
D547,970 S 8/2007 Chou
D549,009 S 8/2007 Lin
D583,587 S 12/2008 Lai
D586,150 S 2/2009 Lai
D586,588 S 2/2009 Lai
D618,017 S 6/2010 Sexton
D635,797 S 4/2011 Xingyin
9,504,316 B1 * 11/2016 Streicher A47B 21/02

1 Claim, 14 Drawing Sheets



(56)

References Cited

U.S. PATENT DOCUMENTS

D845,037 S * 4/2019 Min D6/655
D852,548 S * 7/2019 Hu D6/655
2017/0360192 A1* 12/2017 Hu A47B 9/16
2019/0110588 A1* 4/2019 Wong A47B 9/16

* cited by examiner

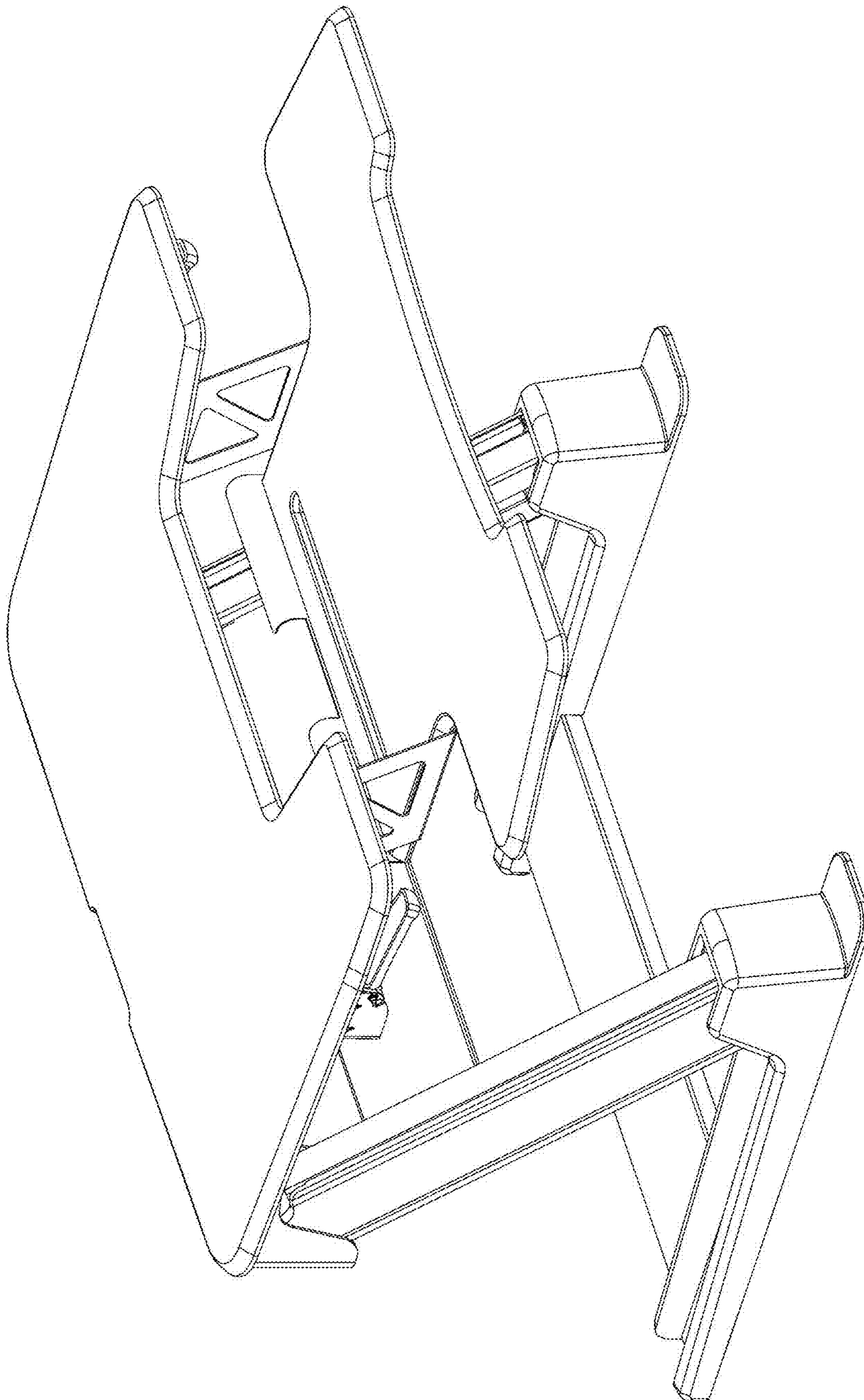


FIG. 1

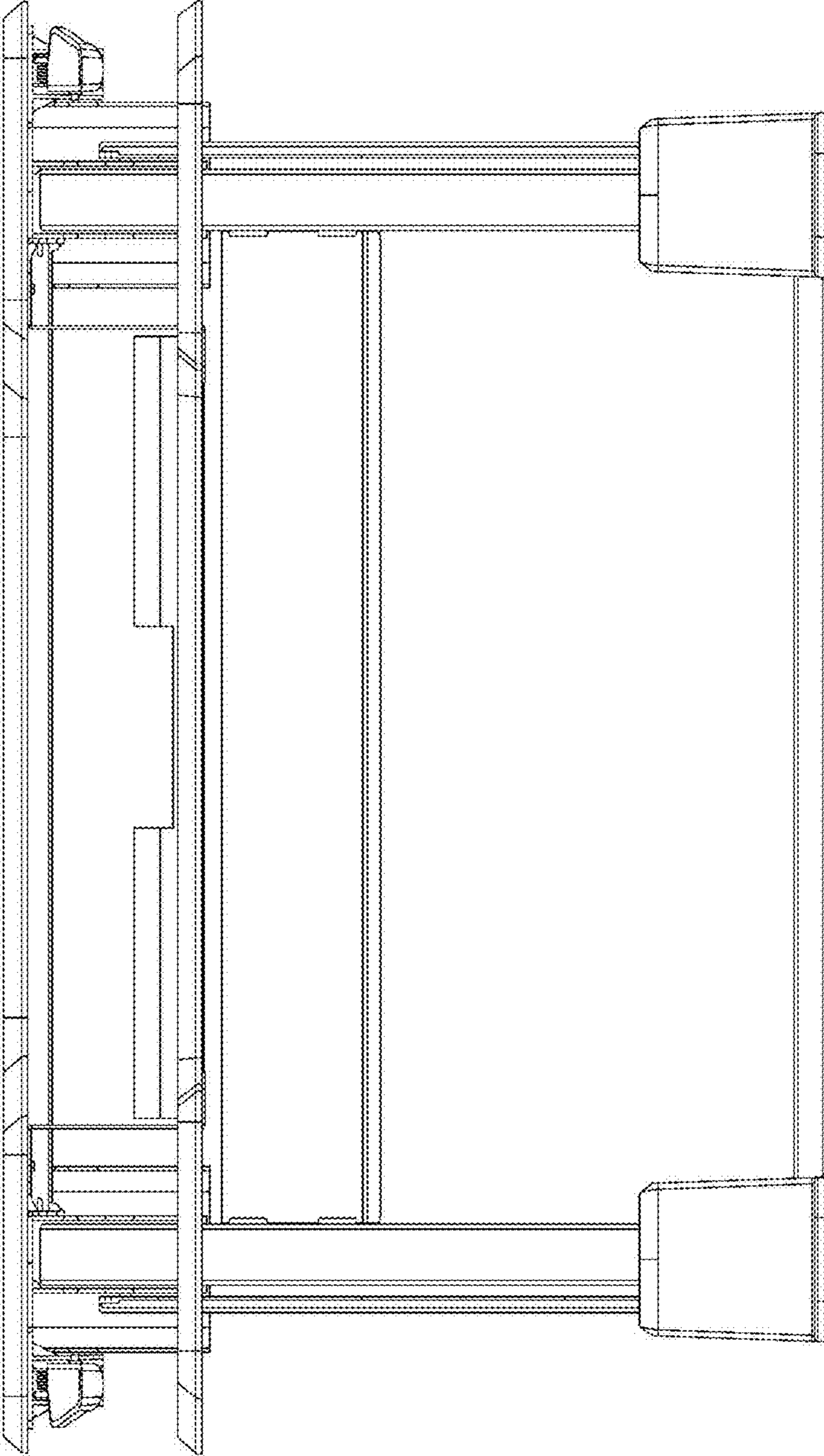


FIG. 2

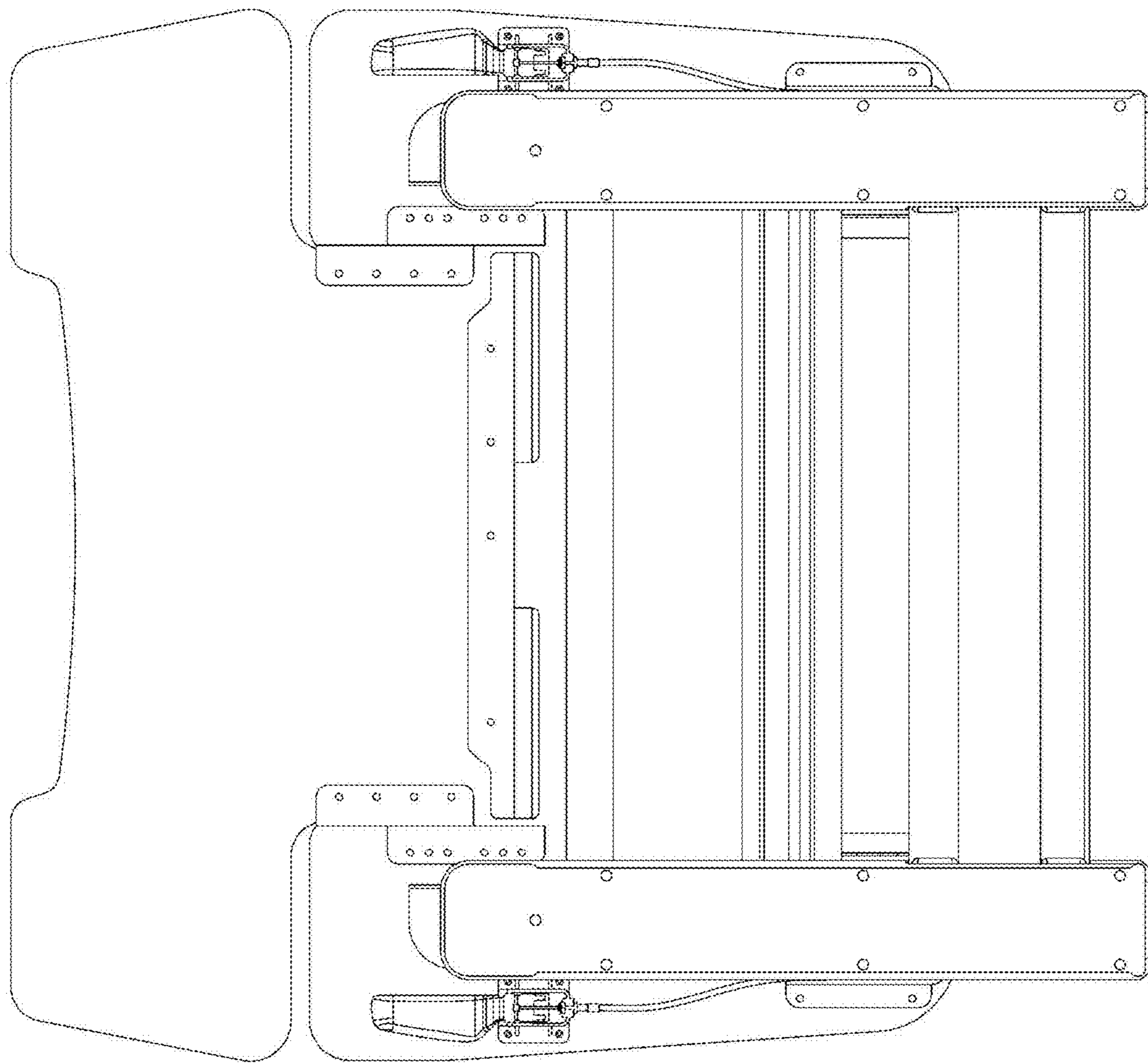


FIG. 3

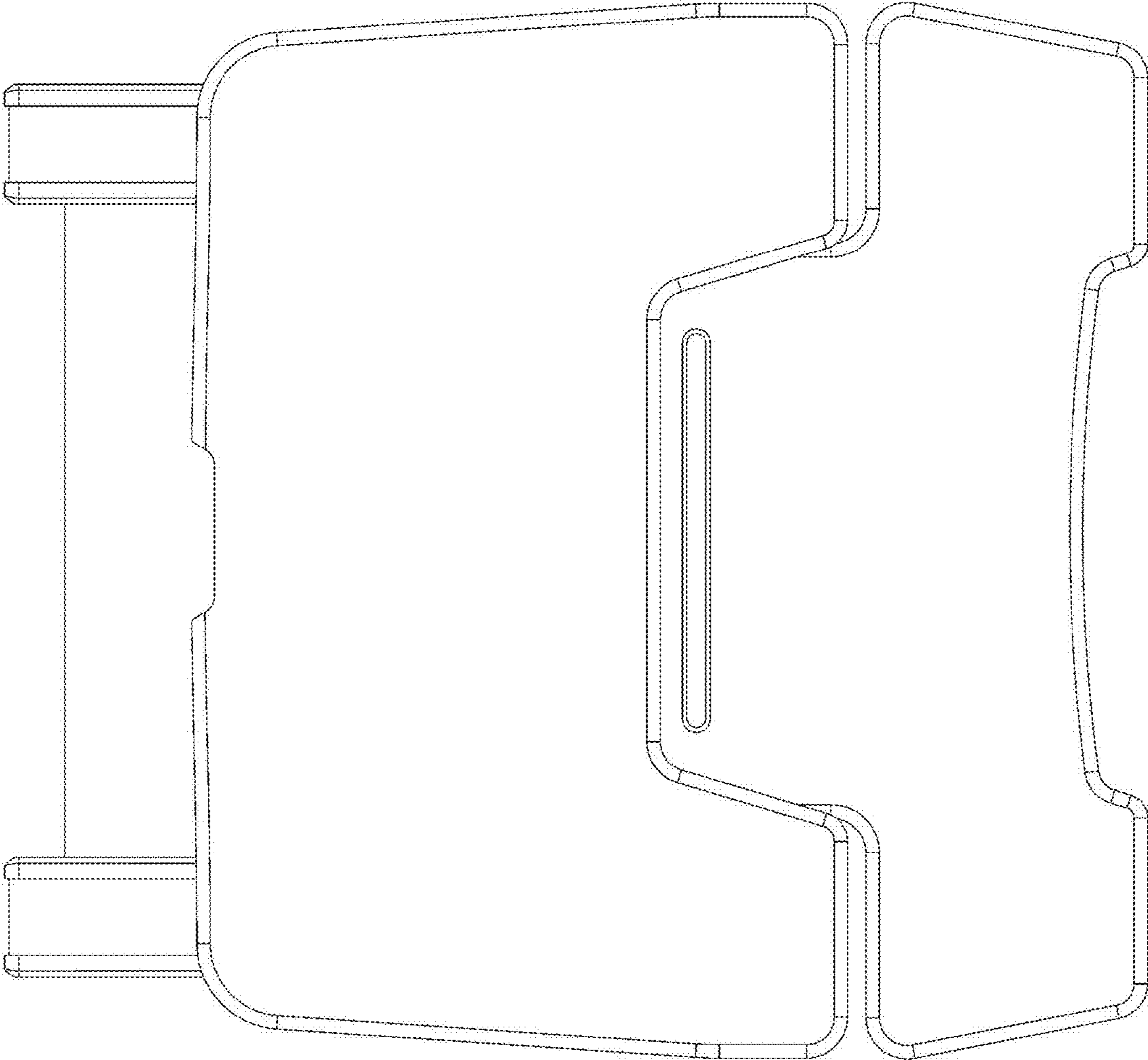


FIG. 4

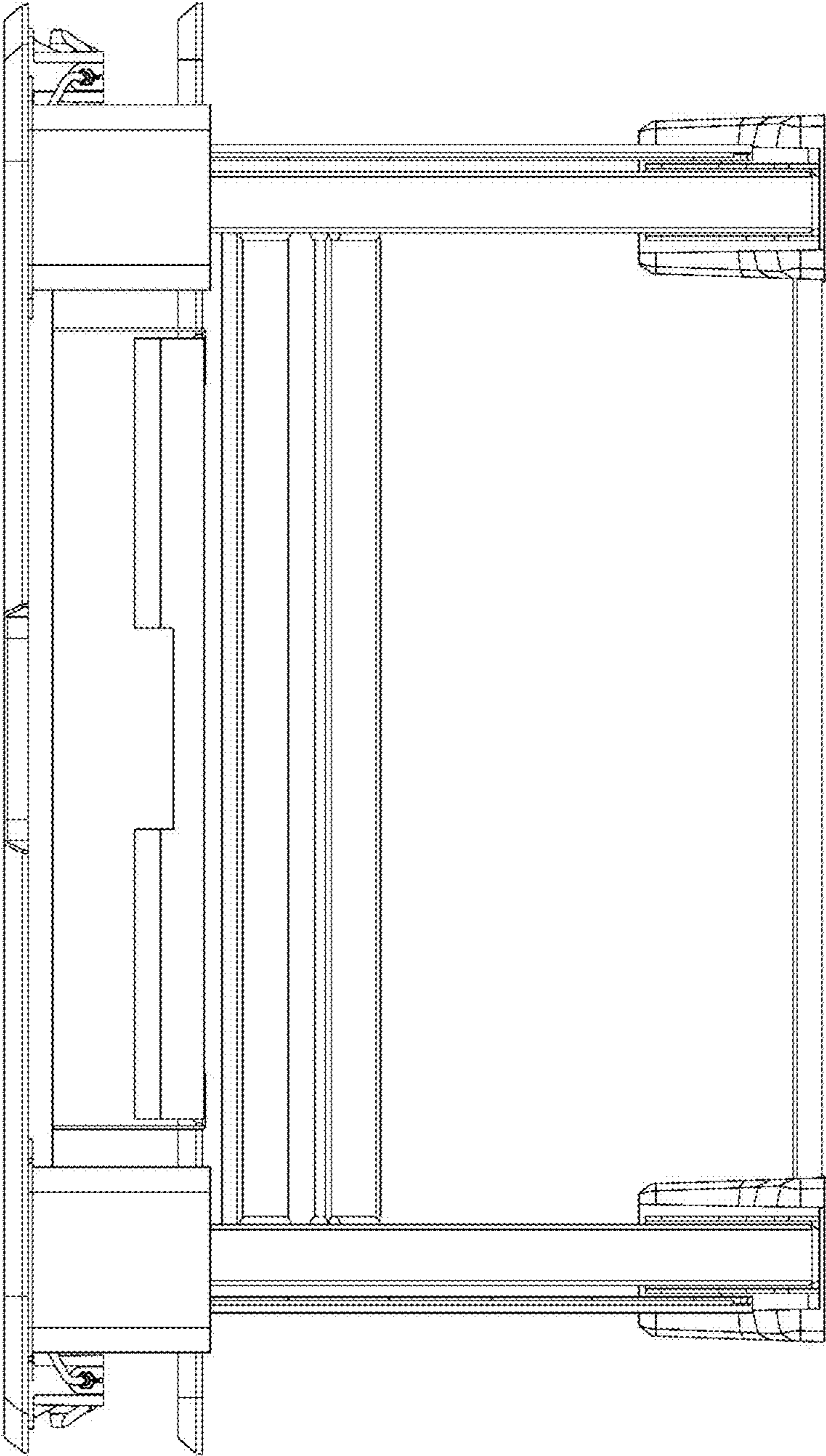


FIG. 5

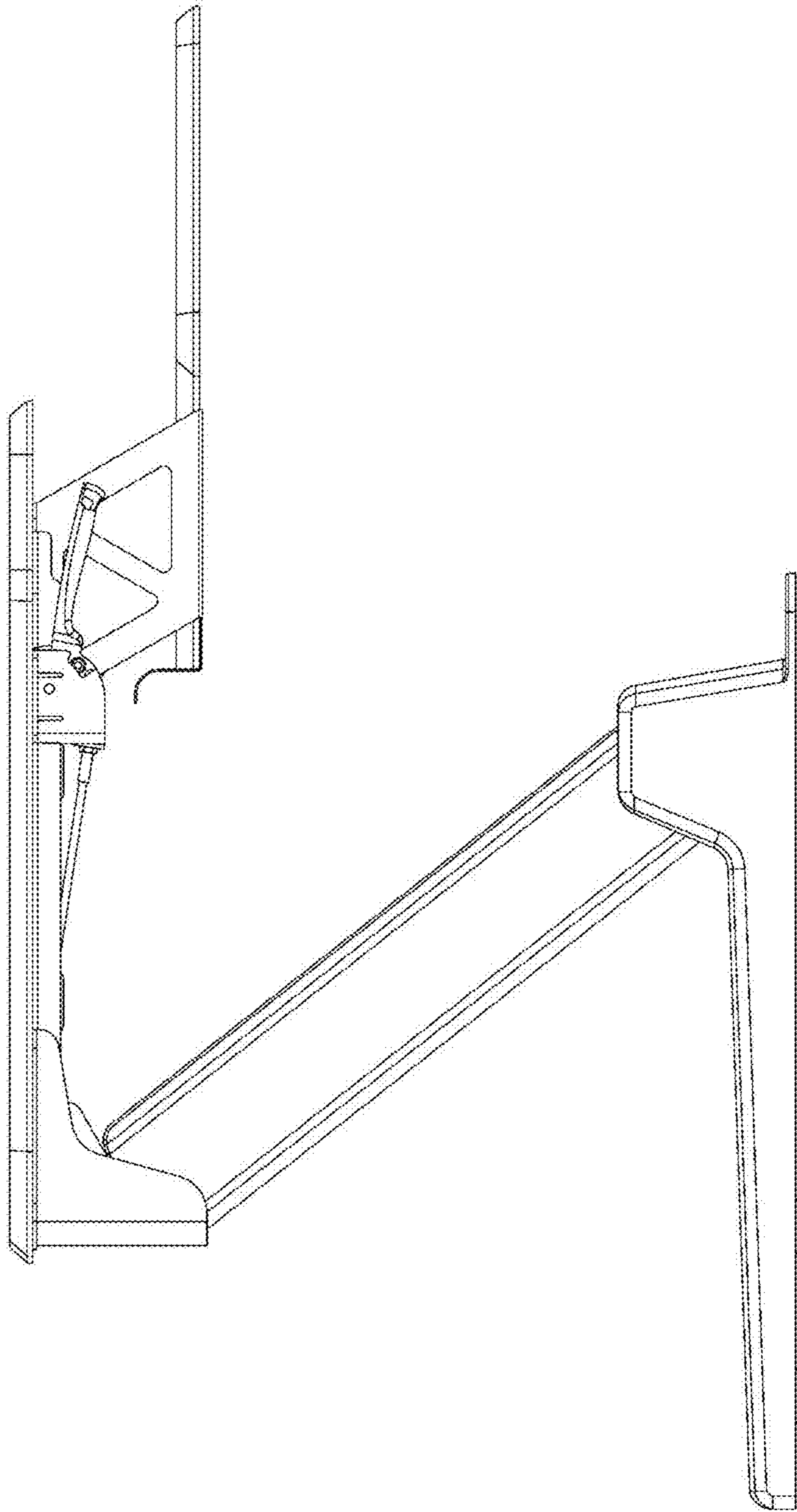


FIG. 6

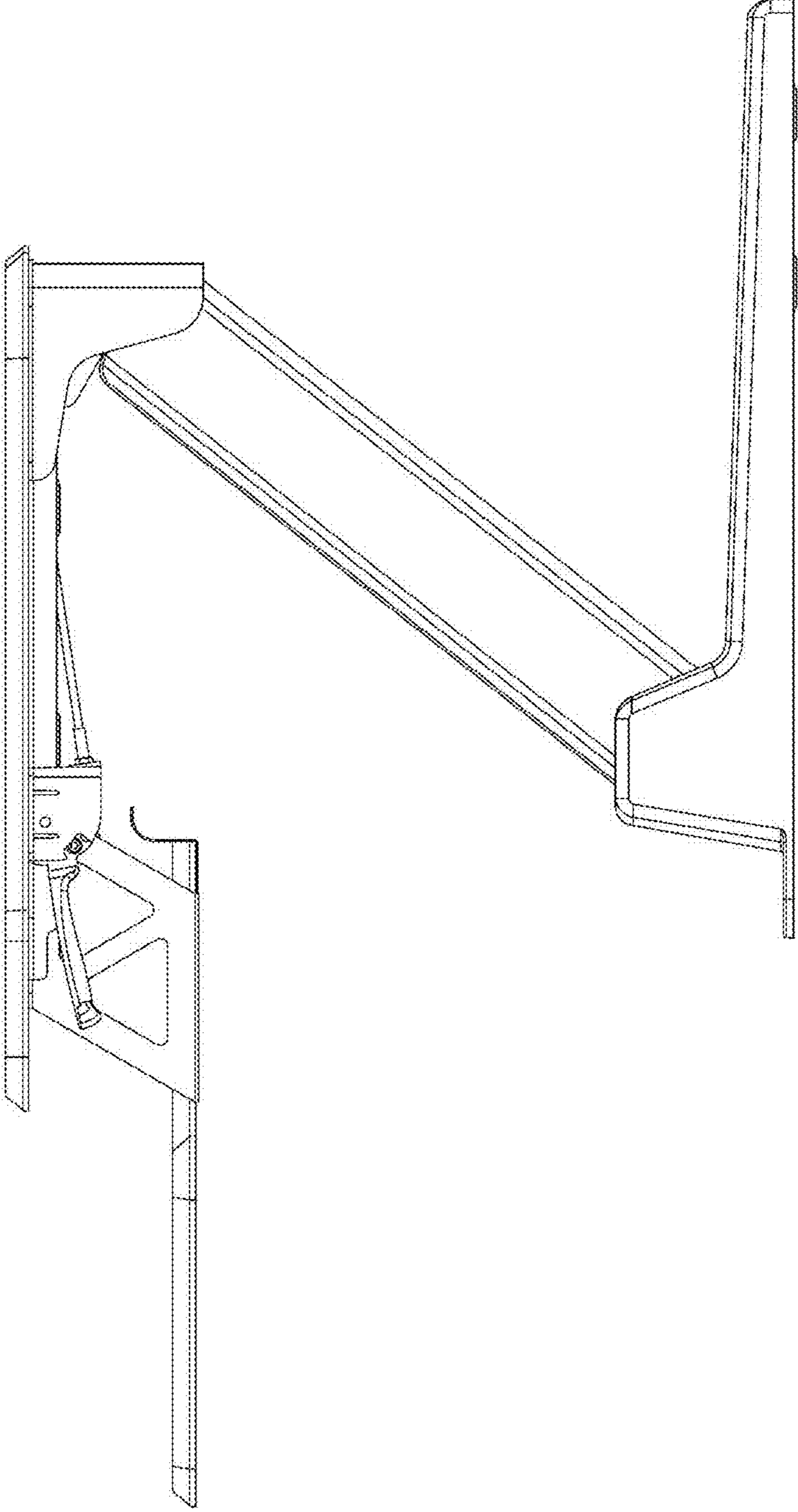


FIG. 7

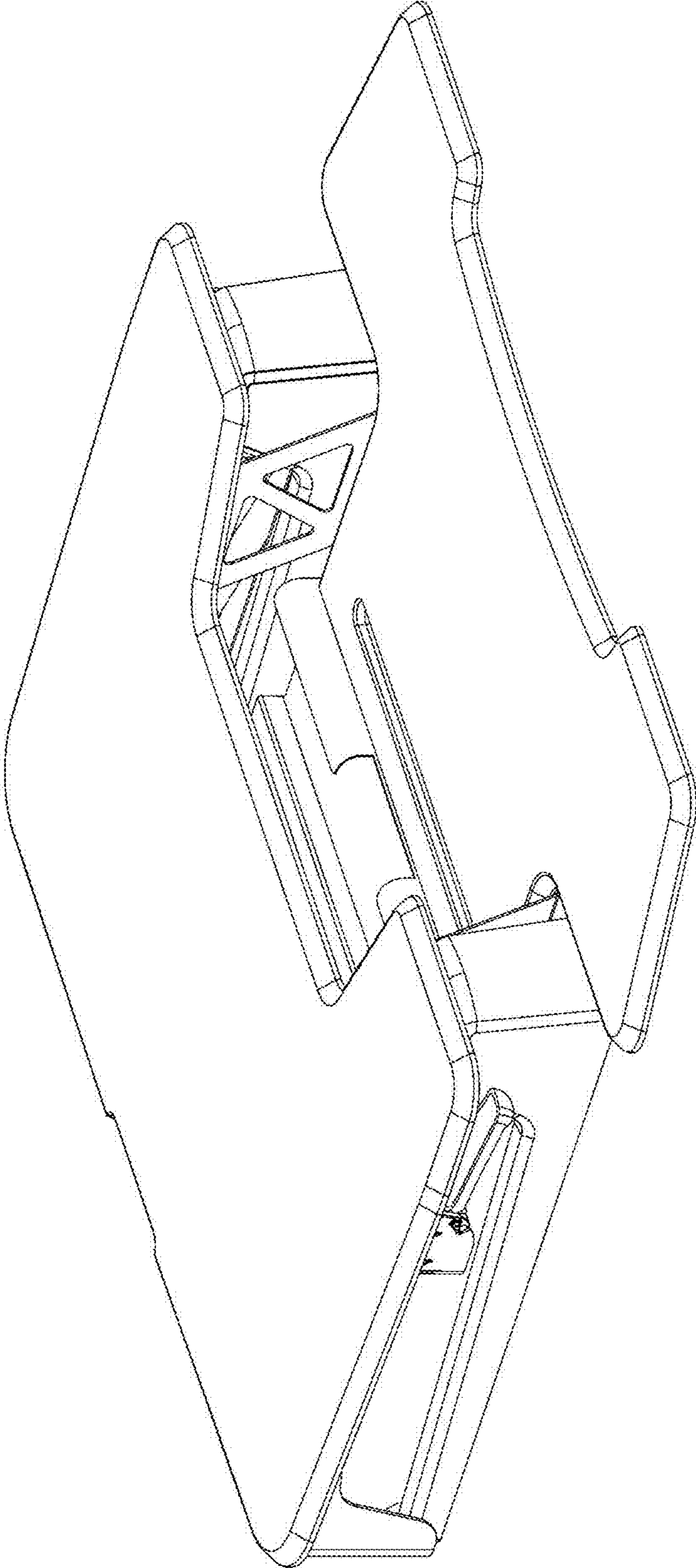


FIG. 8

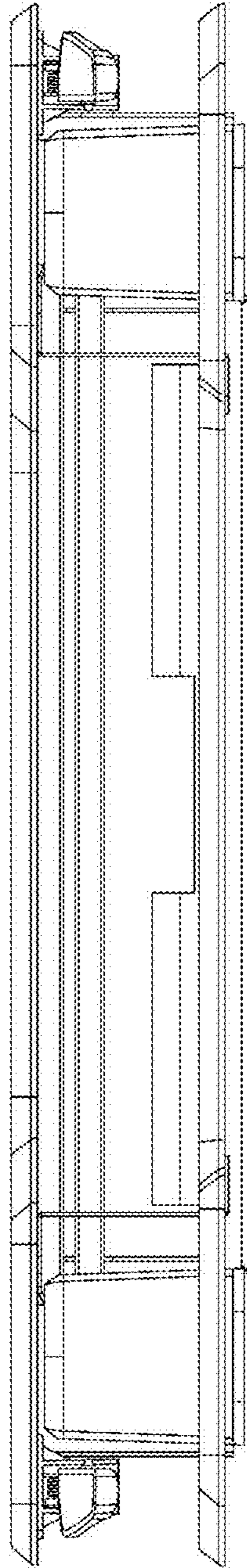


FIG. 9

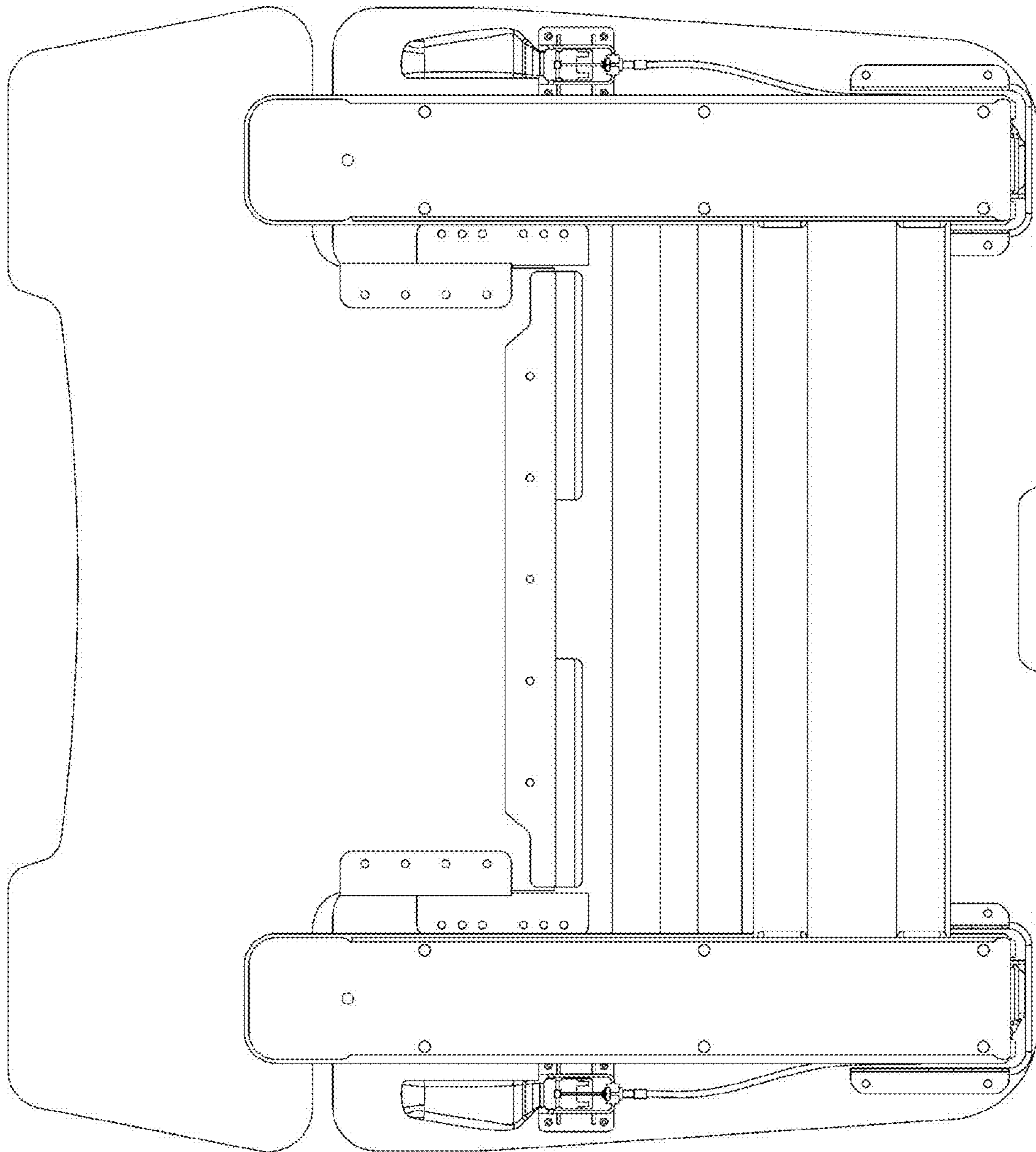


FIG. 10

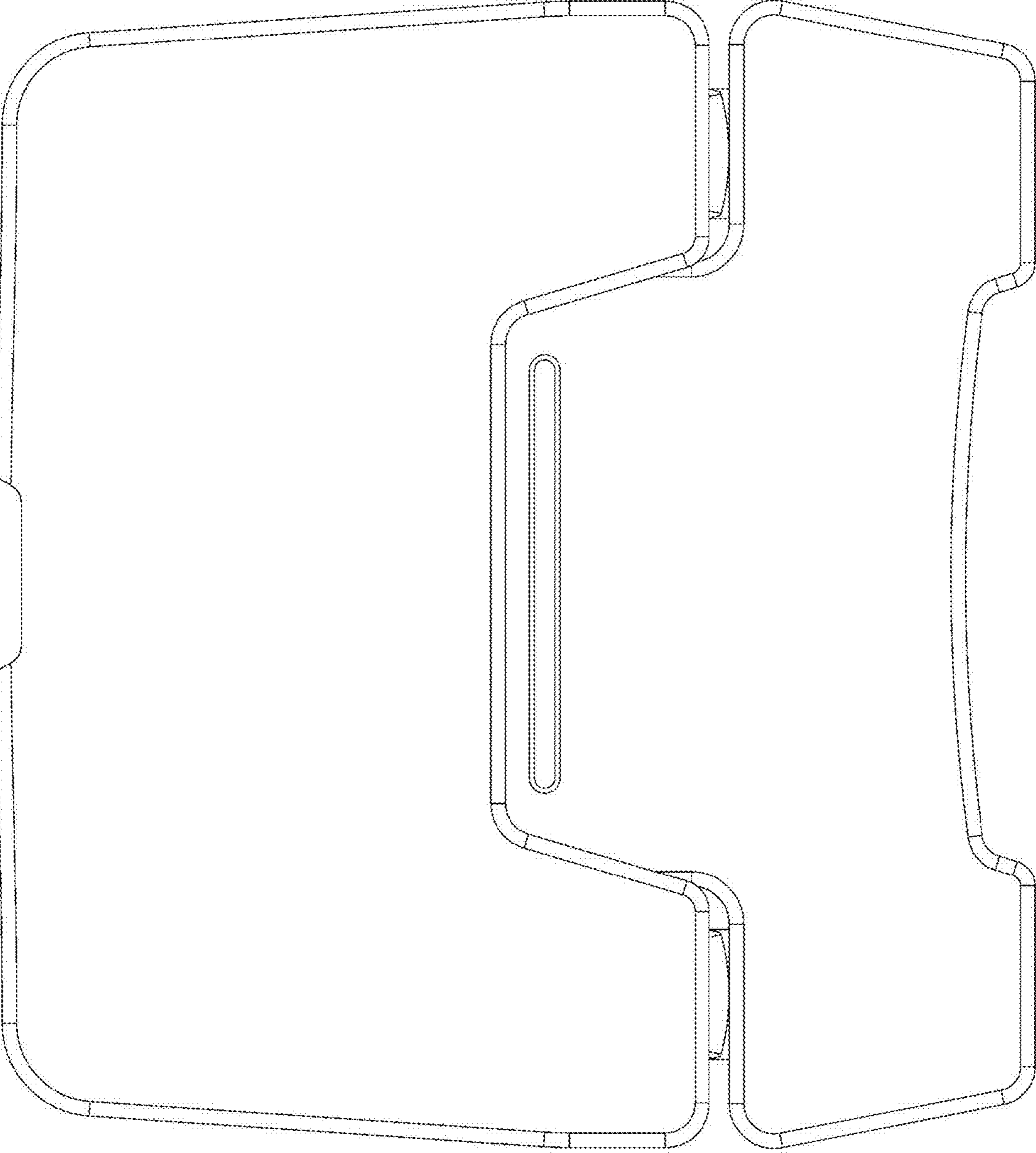


FIG. 11

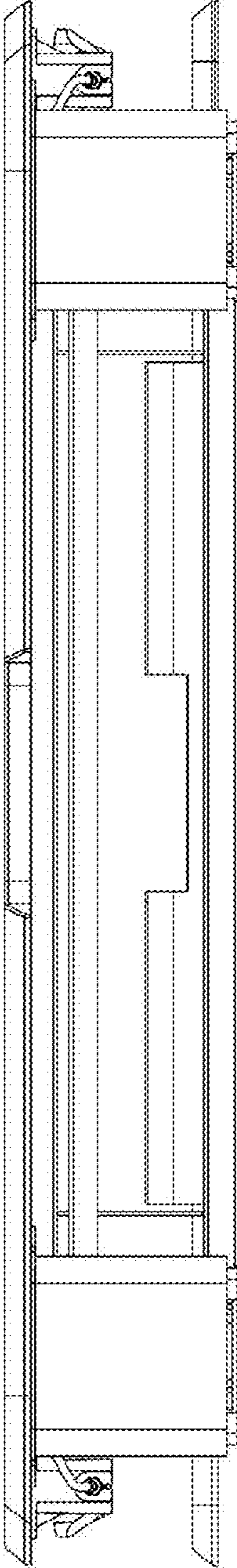


FIG. 12

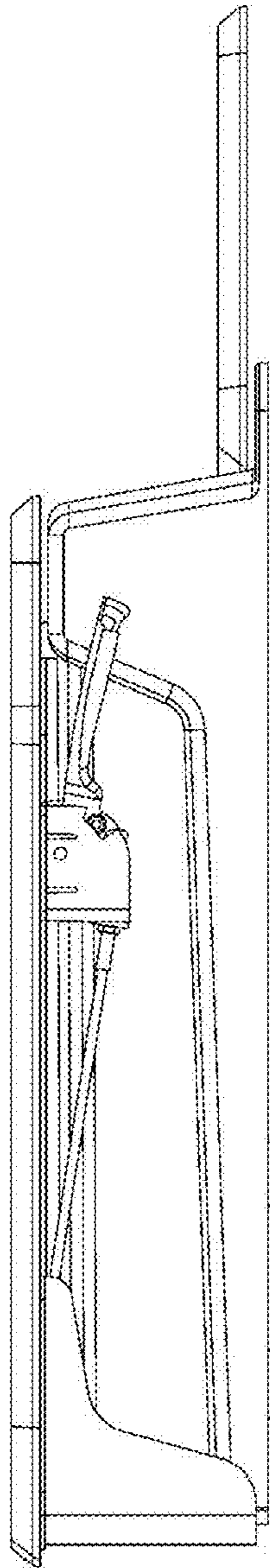


FIG. 13

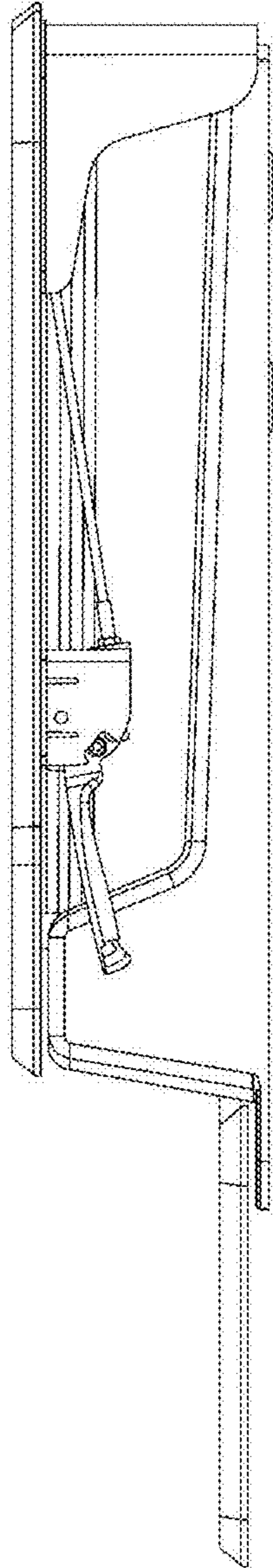


FIG. 14