



US00D870489S

(12) **United States Design Patent** (10) **Patent No.:** **US D870,489 S**  
**Clarke** (45) **Date of Patent:** **\*\* Dec. 24, 2019**

(54) **MATTRESS PAD ANCHORING DEVICE**  
(71) Applicant: **UMF Corporation**, Skokie, IL (US)  
(72) Inventor: **George Clarke**, Skokie, IL (US)  
(73) Assignee: **UMF CORPORATION**, Skokie, IL (US)

(\*\*) Term: **15 Years**  
(21) Appl. No.: **29/643,293**

(22) Filed: **Apr. 6, 2018**  
(51) **LOC (12) Cl.** ..... **06-09**  
(52) **U.S. Cl.**  
USPC ..... **D6/606**

(58) **Field of Classification Search**  
USPC ..... D6/603, 606, 596, 605  
CPC ..... A47C 23/002; A47C 27/00; A47C 27/002;  
A47C 27/05; A47C 31/105  
See application file for complete search history.

(56) **References Cited**

U.S. PATENT DOCUMENTS

4,454,615	A *	6/1984	Whitney	.....	A47C 21/022
					5/498
4,833,744	A *	5/1989	Correa	.....	A47C 21/022
					24/72.5
5,148,560	A *	9/1992	Torres	.....	A47C 21/022
					24/72.5
D726,453	S *	4/2015	Byrd	.....	D6/607
D763,014	S *	8/2016	Millman	.....	D6/606
D769,030	S *	10/2016	Acres	.....	D6/607
D811,125	S *	2/2018	Thornam	.....	D6/596

\* cited by examiner

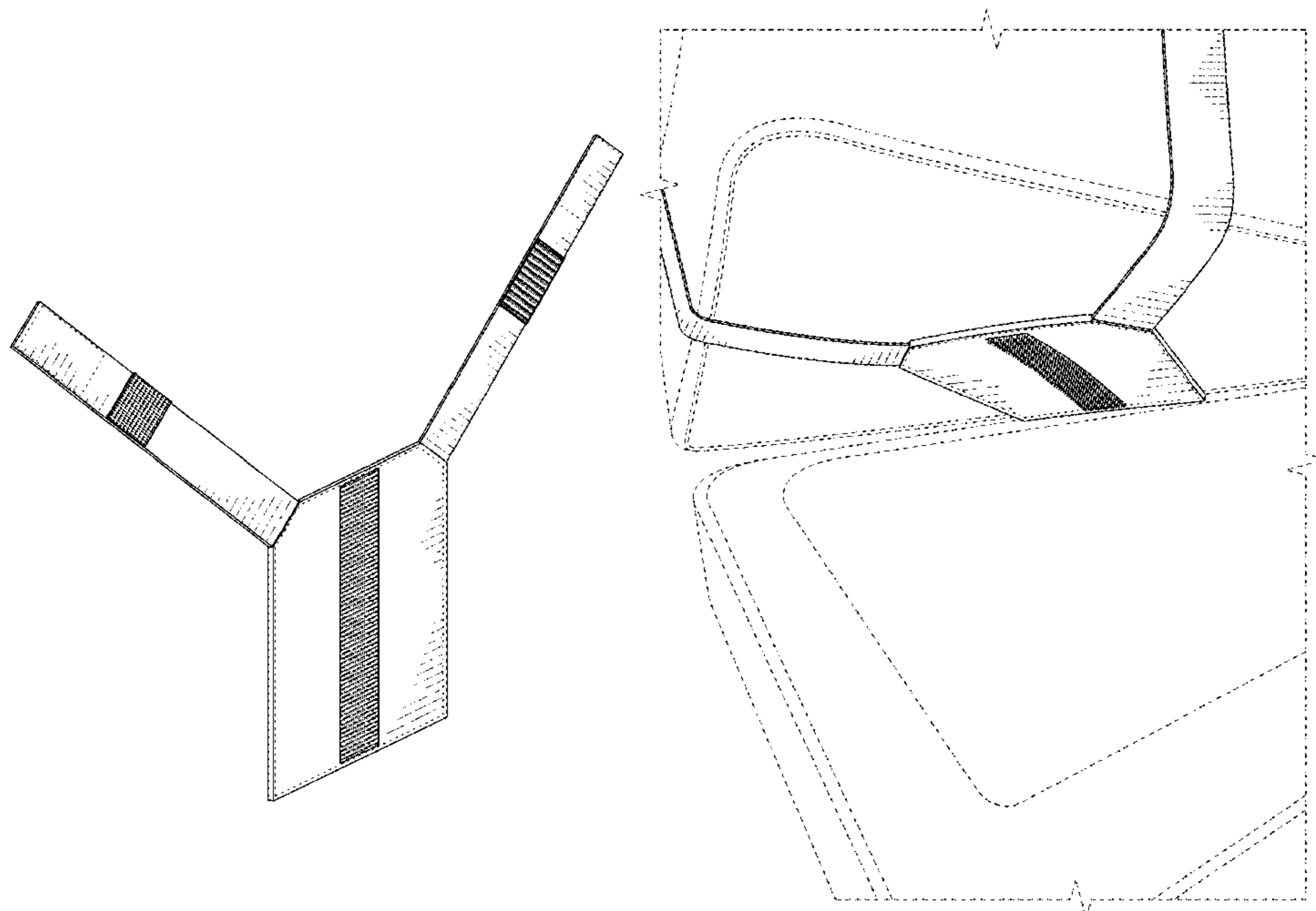
*Primary Examiner* — R. Johnson  
(74) *Attorney, Agent, or Firm* — Flener IP & Business Law; Zareefa B. Flener

(57) **CLAIM**  
The ornamental design for a mattress pad anchoring device, as shown and described.

**DESCRIPTION**

FIG. 1 is an isometric view of a mattress pad anchoring device showing my design;  
FIG. 2 is a front elevation view of the design of FIG. 1;  
FIG. 3 is a rear elevation view of the design of FIG. 1;  
FIG. 4 is a first side elevation view of the design of FIG. 1;  
FIG. 5 is a second side elevation view of the design of FIG. 1;  
FIG. 6 is top plan view of the design of FIG. 1;  
FIG. 7 is a bottom plan view of the design of FIG. 1;  
FIG. 8 is a second isometric view of the design of FIG. 1;  
FIG. 9 is a third isometric view of the design of FIG. 1;  
FIG. 10 is an isometric view showing a second embodiment of a mattress pad anchoring device showing my design;  
FIG. 11 is a front elevation view of the design of FIG. 10;  
FIG. 12 is a rear elevation view of the design of FIG. 10;  
FIG. 13 is a first side elevation view of the design of FIG. 10;  
FIG. 14 is a second side elevation view of the design of FIG. 10;  
FIG. 15 is top plan view of the design of FIG. 10; and,  
FIG. 16 is a bottom plan view of the design of FIG. 10.  
In the drawings, the broken lines represent environmental structure and the portions of the design, which form no part of the claim. The second embodiment of the design, as shown in FIGS. 10-16, applies to a mattress in the same manner as in the embodiment of the design, as shown in FIGS. 8 and 9.

**1 Claim, 10 Drawing Sheets**



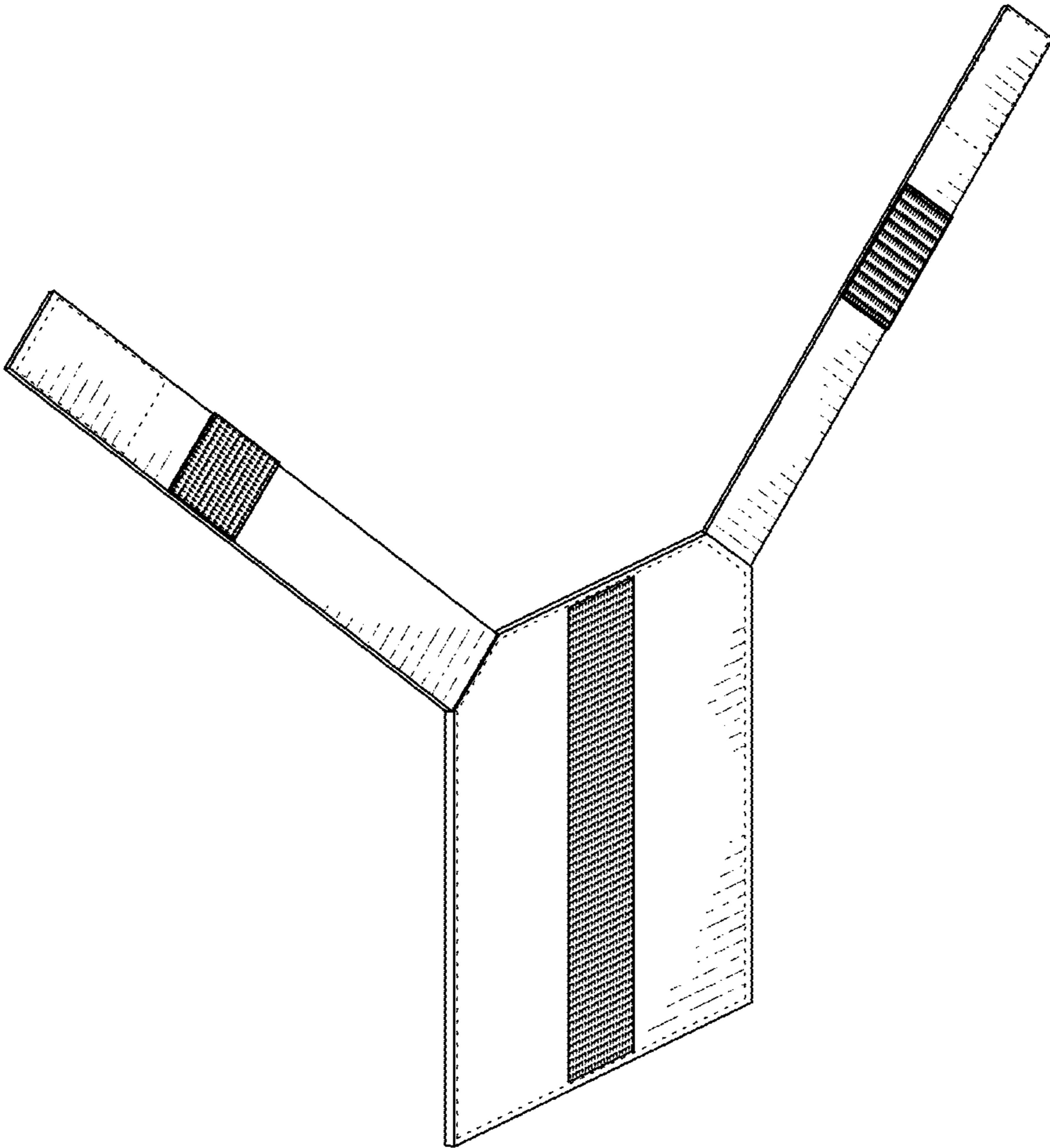


FIG. 1

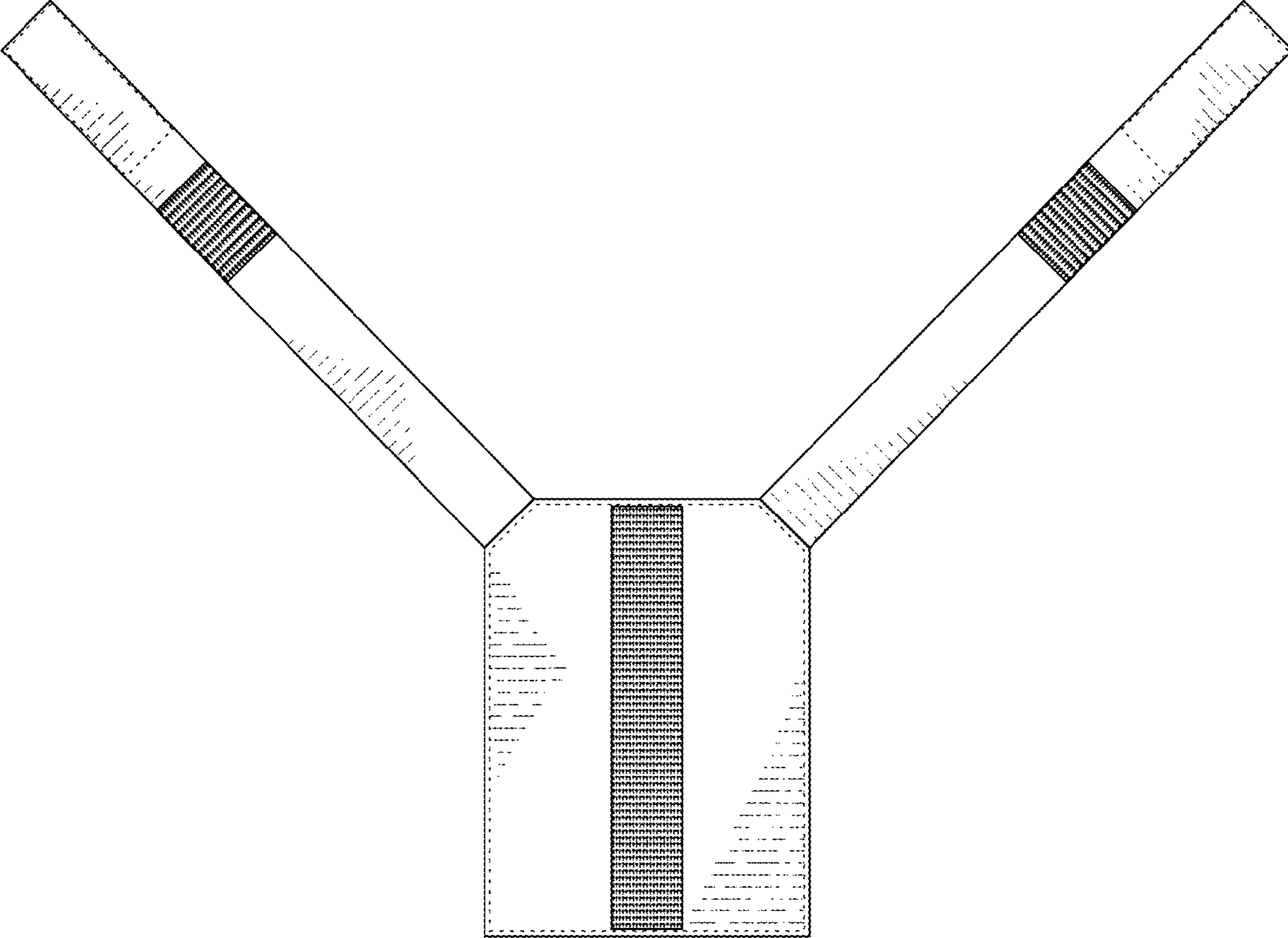


FIG. 2

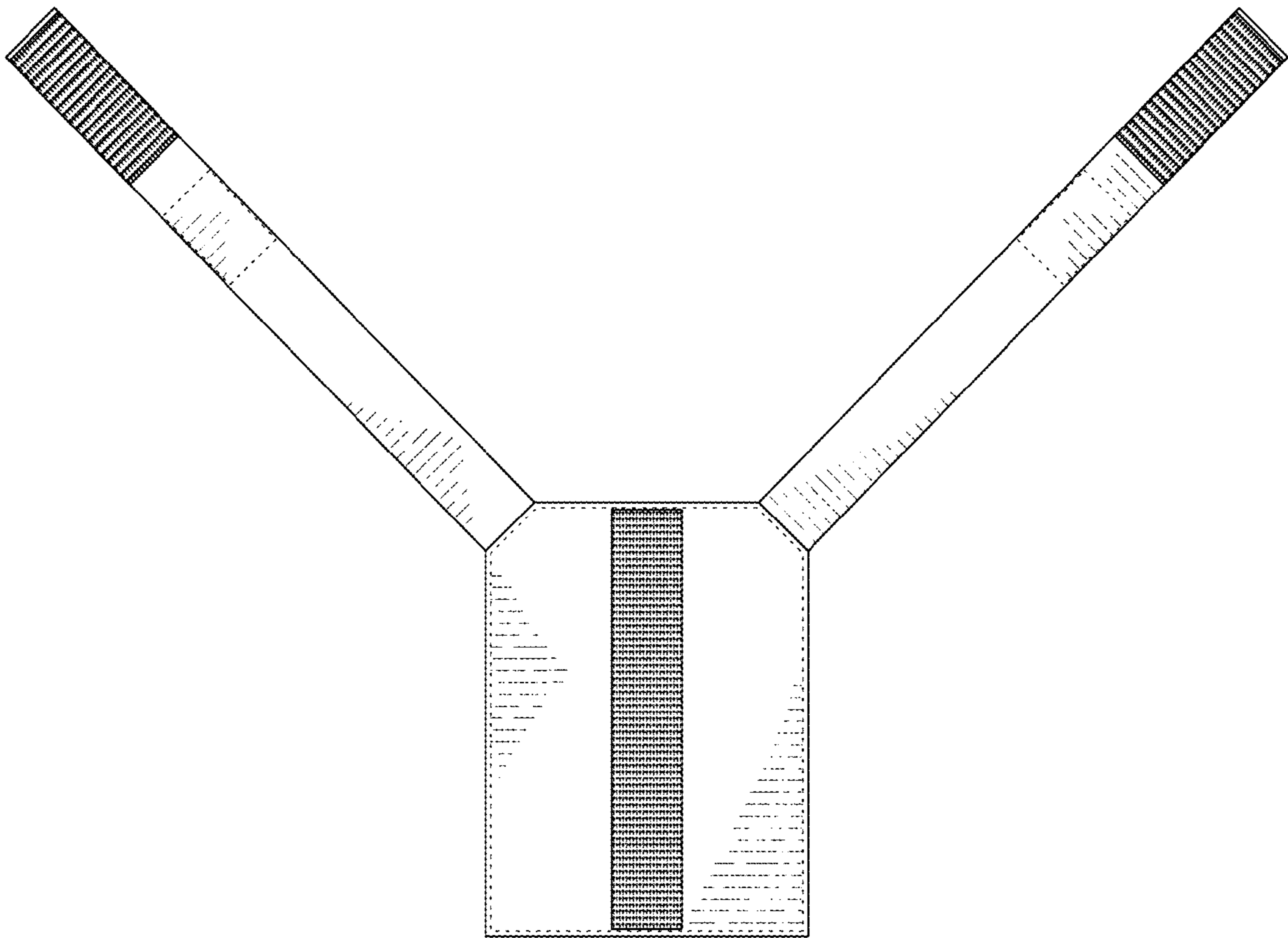


FIG. 3

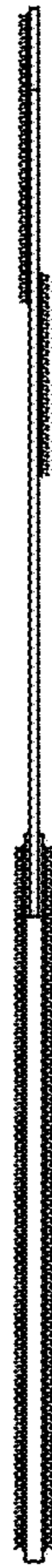


FIG. 4

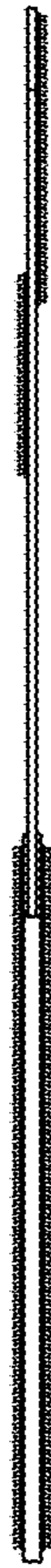


FIG. 5

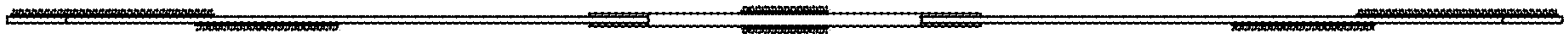


FIG. 6

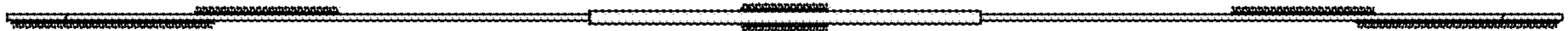


FIG. 7



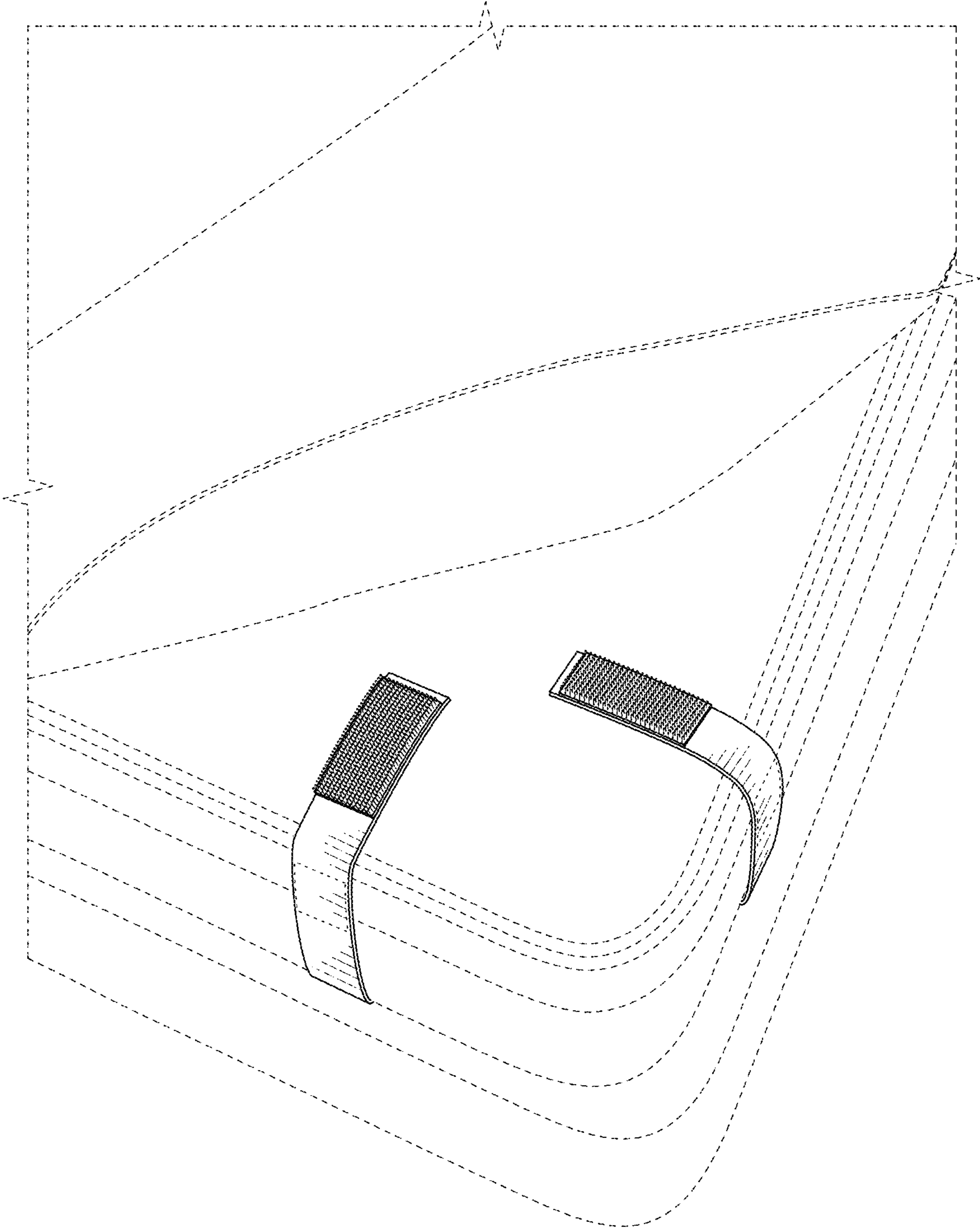


FIG. 8

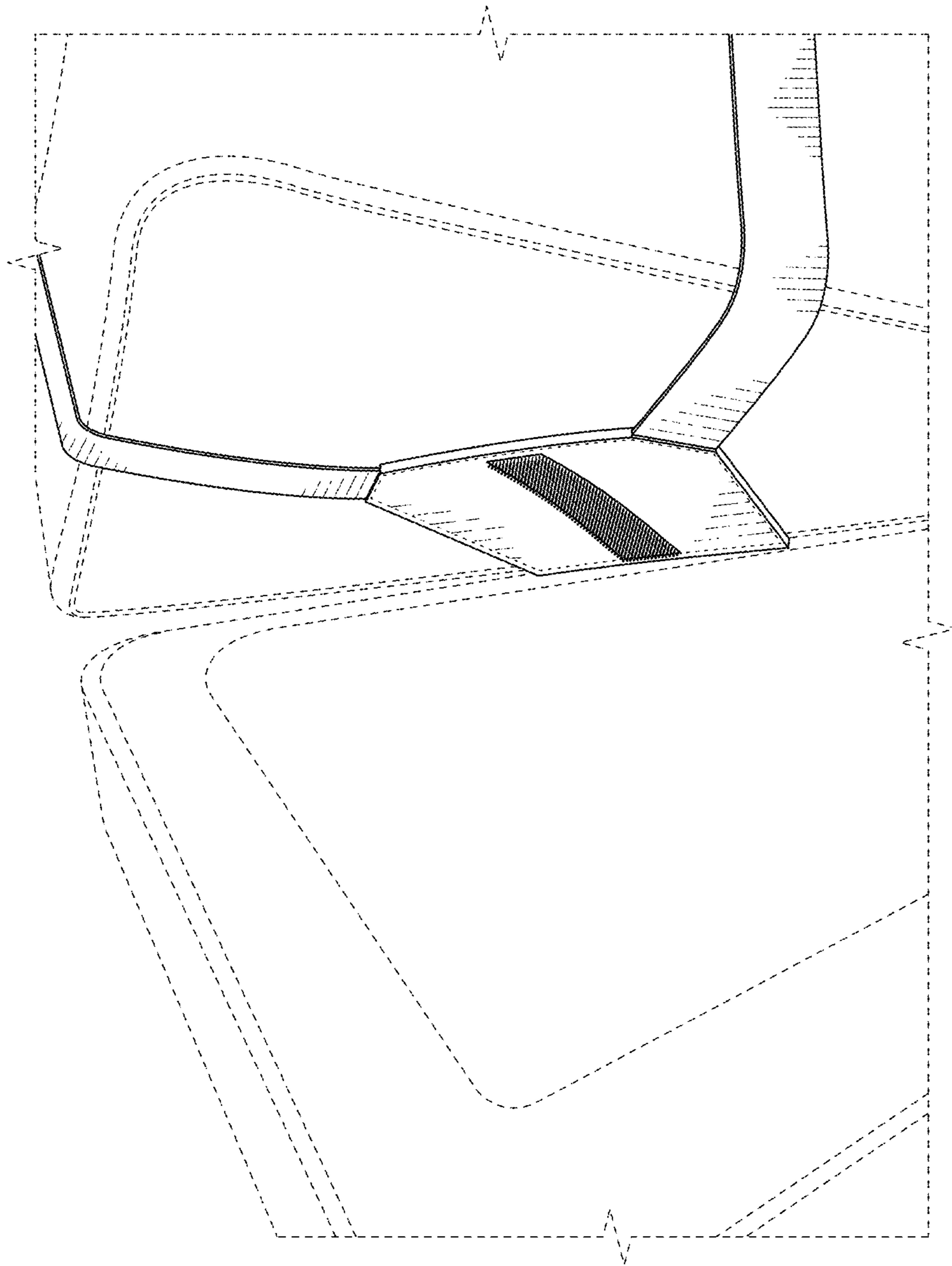


FIG. 9

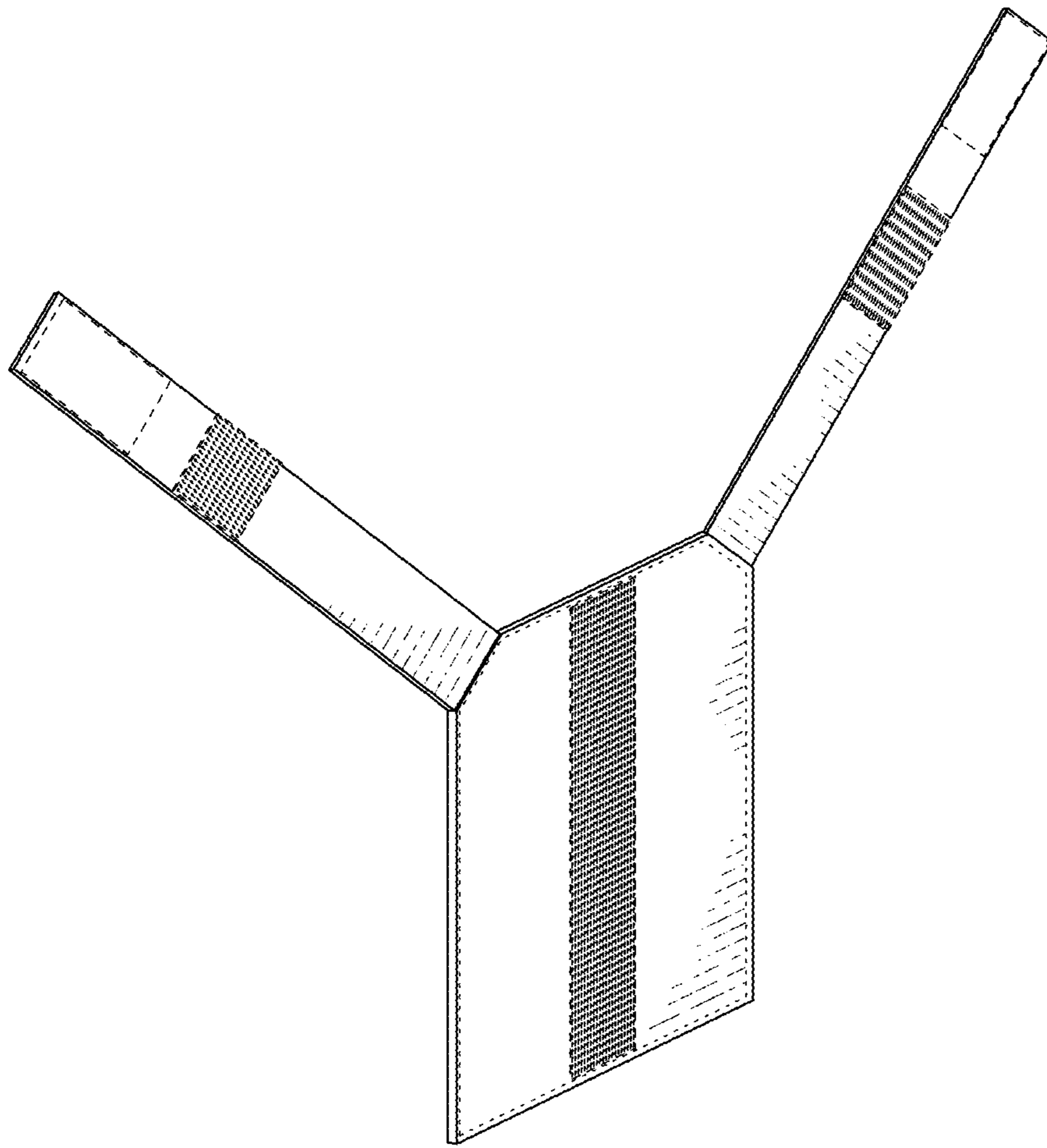


FIG. 10



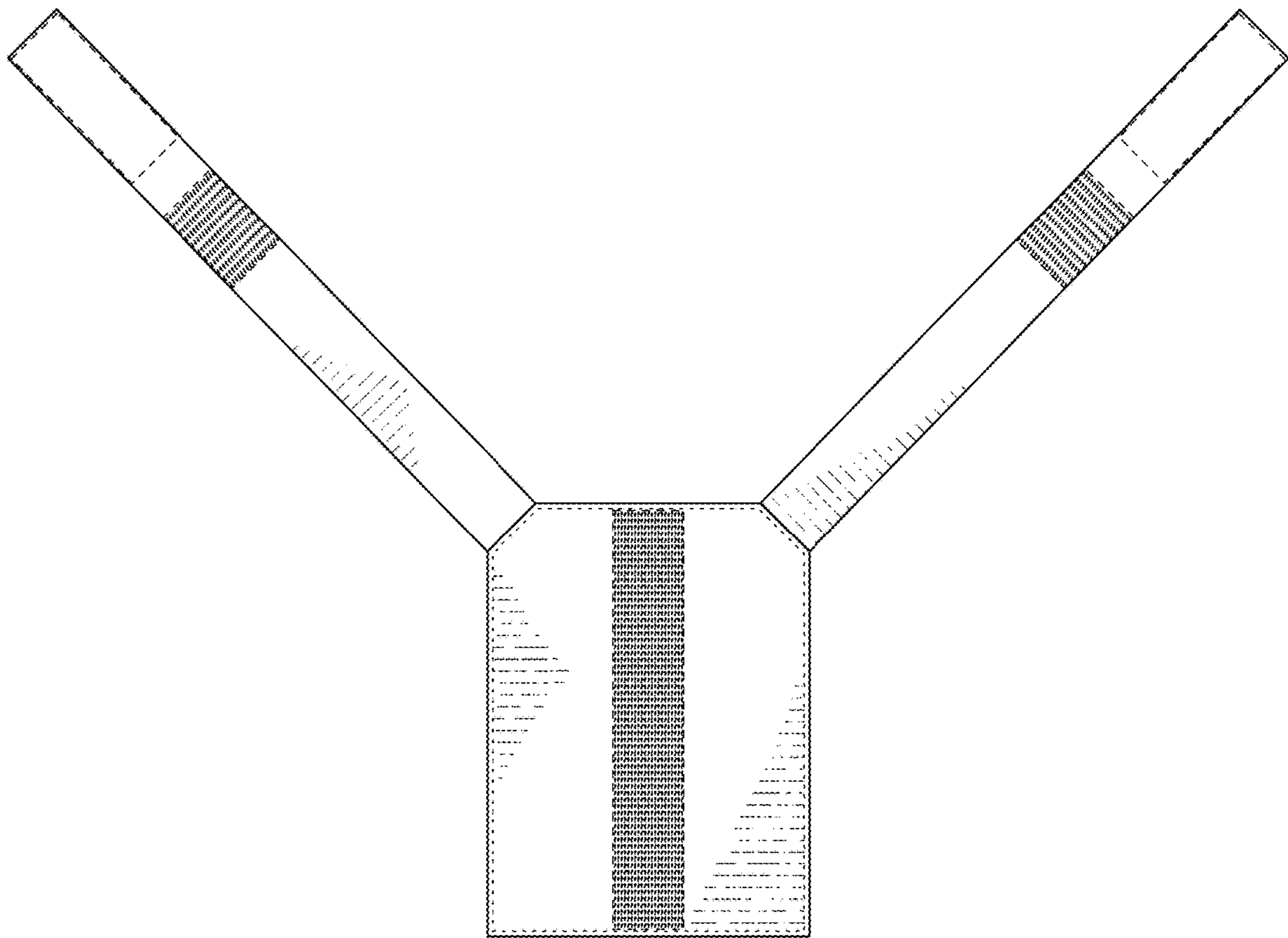


FIG. 11

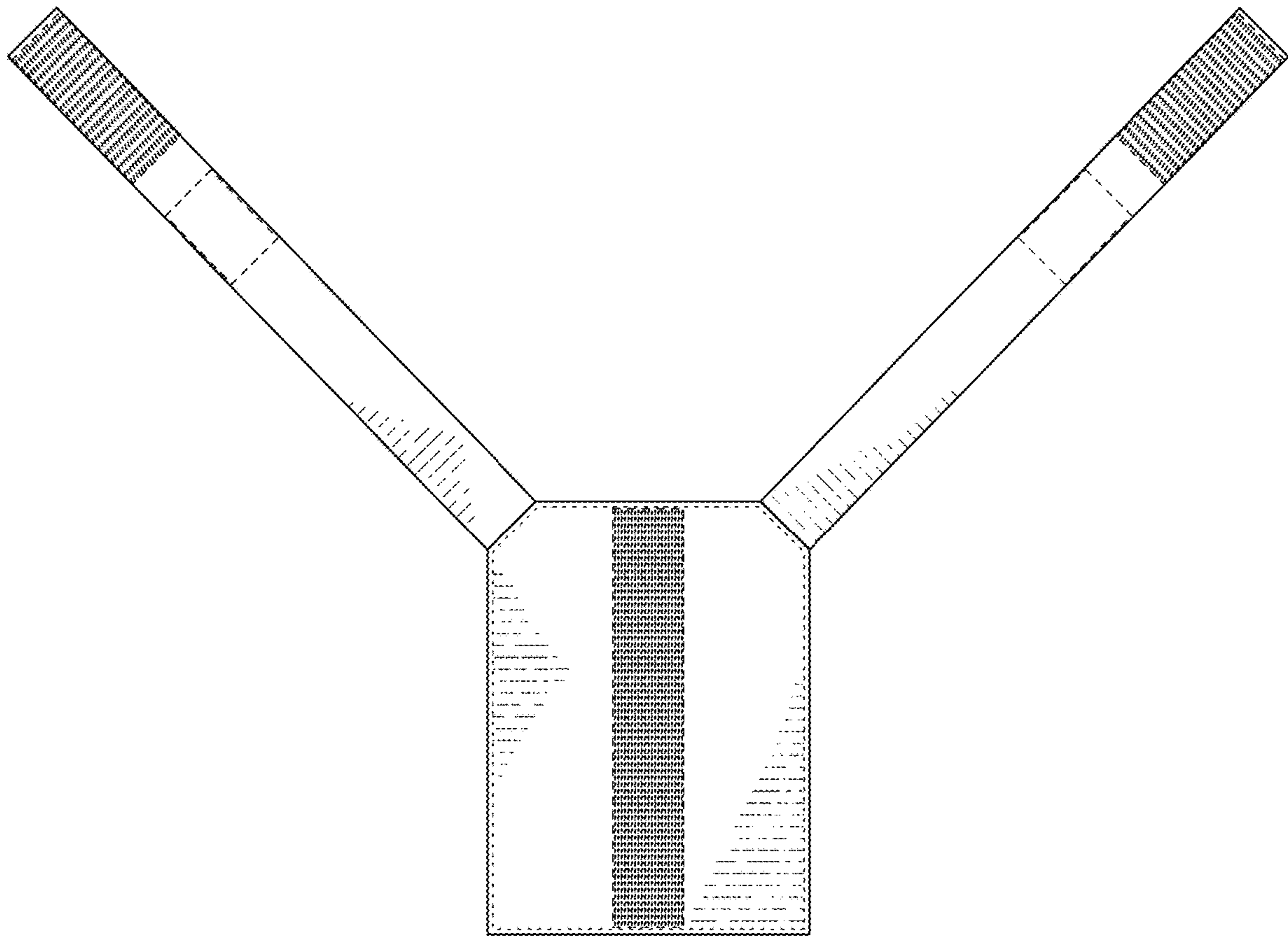


FIG. 12



FIG. 13



FIG. 14



FIG. 15



FIG. 16