



US00D870486S

(12) **United States Design Patent**  
**Sumlin**

(10) **Patent No.:** **US D870,486 S**

(45) **Date of Patent:** **\*\* Dec. 24, 2019**

(54) **BED**

D517,342 S \* 3/2006 O'Hare ..... D6/393  
D660,047 S \* 5/2012 Zagaroli ..... D6/393  
D682,580 S \* 5/2013 Sempe ..... D6/393

(71) Applicant: **Charles Neal Sumlin**, Fort Lauderdale,  
FL (US)

(72) Inventor: **Charles Neal Sumlin**, Fort Lauderdale,  
FL (US)

(73) Assignee: **AMINI INNOVATION**  
**CORPORATION**, Pico Rivera, CA  
(US)

(\*\*) Term: **15 Years**

(21) Appl. No.: **29/667,788**

(22) Filed: **Oct. 24, 2018**

(51) **LOC (12) Cl.** ..... **06-02**

(52) **U.S. Cl.**  
USPC ..... **D6/393**

(58) **Field of Classification Search**  
USPC ..... D6/382-383, 393-395, 718, 718.13,  
D6/718.15, 718.2, 718.21, 718.22, 718.23  
CPC ..... A47C 19/00; A47C 19/021; A47C 19/022;  
A47C 31/006  
See application file for complete search history.

(56) **References Cited**

**U.S. PATENT DOCUMENTS**

D160,571 S \* 10/1950 Belanger ..... D6/393  
D486,667 S \* 2/2004 Stanton ..... D6/393

**OTHER PUBLICATIONS**

Rivet Gwyneth Bed, Amazon, review date Jul. 2018, site visited  
Sep. 19, 2019, available online at <https://www.amazon.com/Rivet-Gwyneth-Mid-Century-Velvet-Queen/dp/B075QFCJWK> (Year: 2018).\*

\* cited by examiner

*Primary Examiner* — Cathron C Brooks

(74) *Attorney, Agent, or Firm* — Cislo & Thomas, LLP

(57) **CLAIM**

I claim the ornamental design for a bed, as shown and  
described.

**DESCRIPTION**

FIG. 1 is a front perspective view of my bed;  
FIG. 2 is a front view thereof;  
FIG. 3 is a right side view, the left side (not shown) is a  
mirror image thereof; and,  
FIG. 4 is a top view of my bed.  
The broken lines illustrate portions of the bed that form no  
part of the claimed design.

**1 Claim, 4 Drawing Sheets**

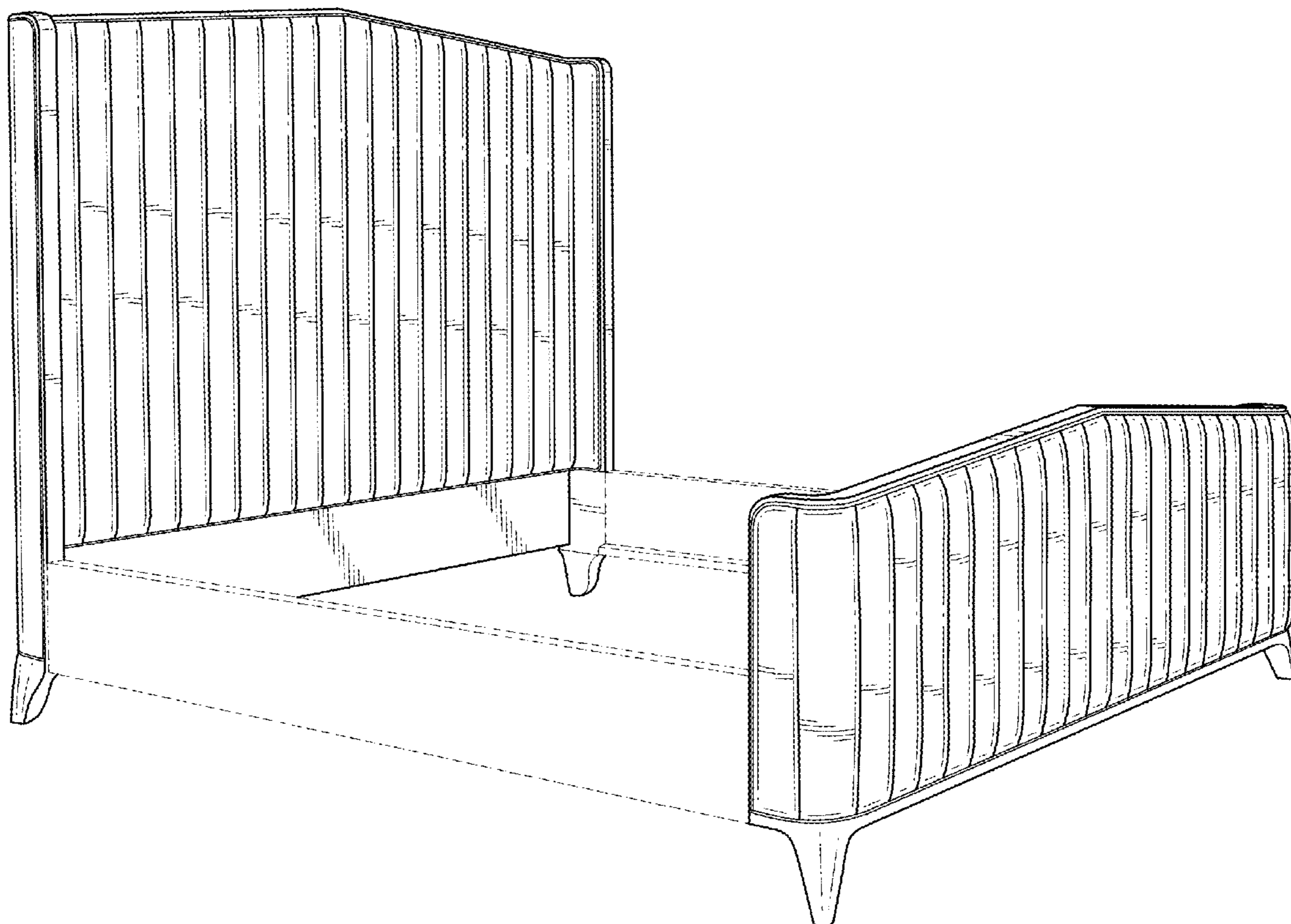
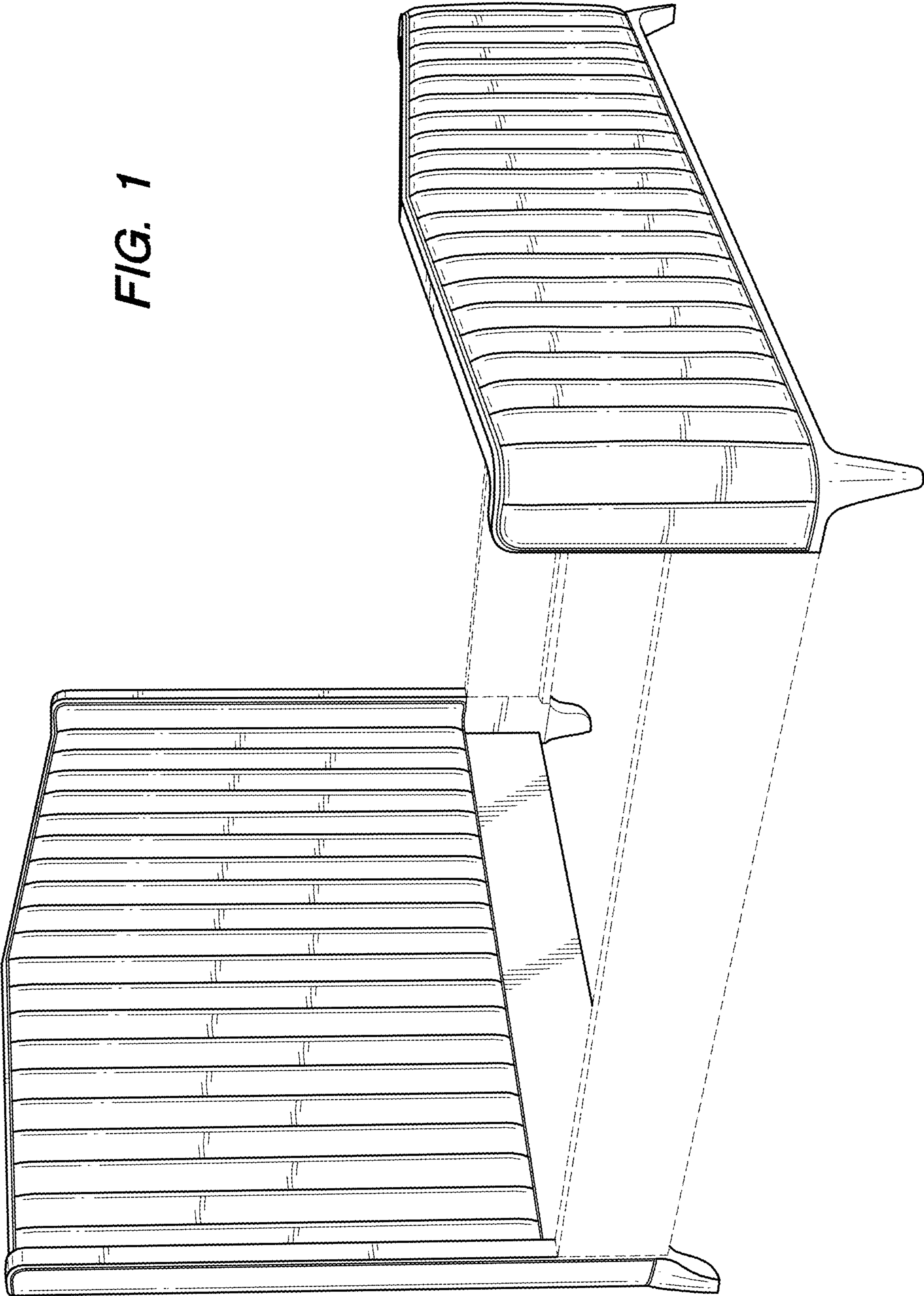
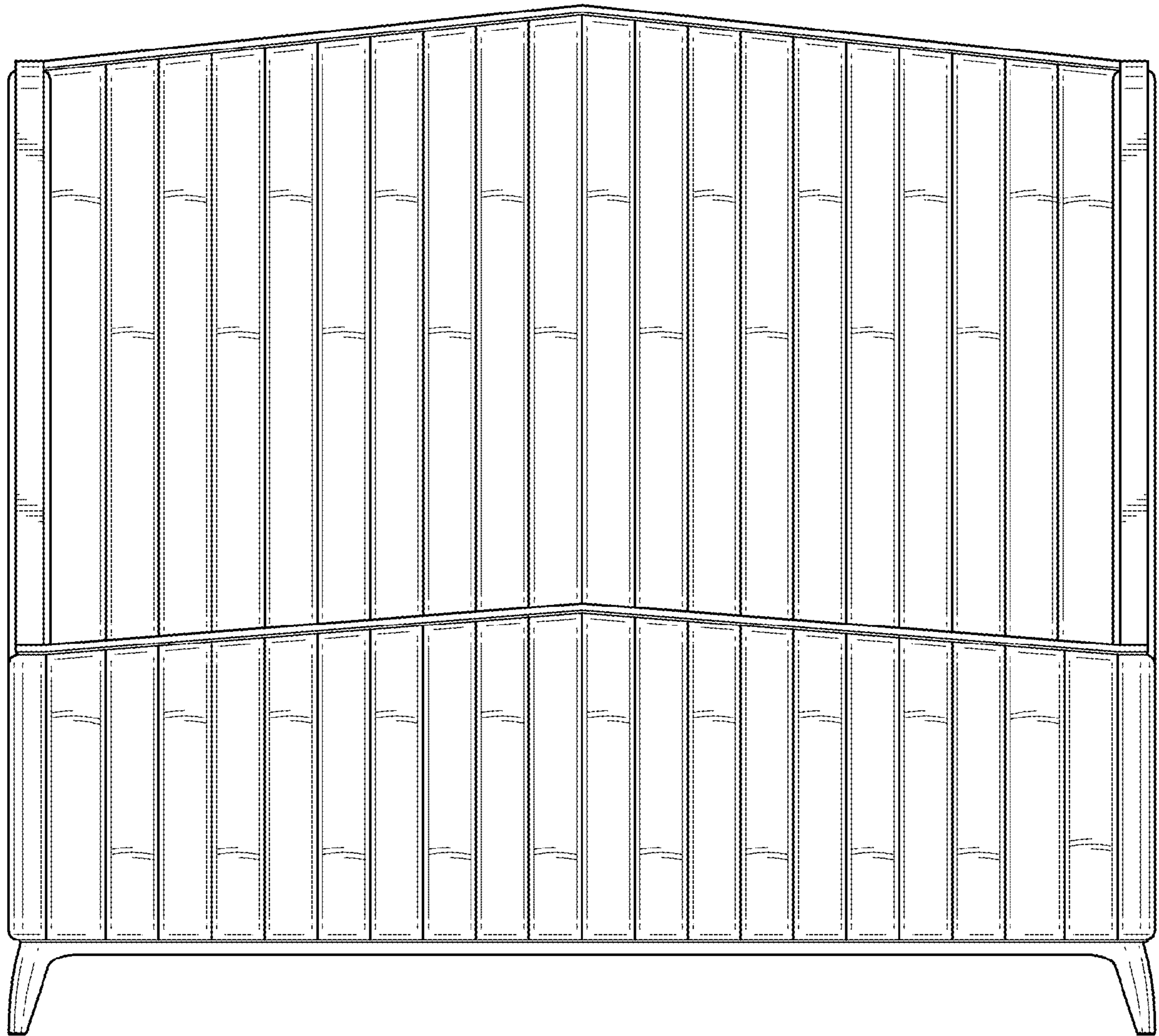
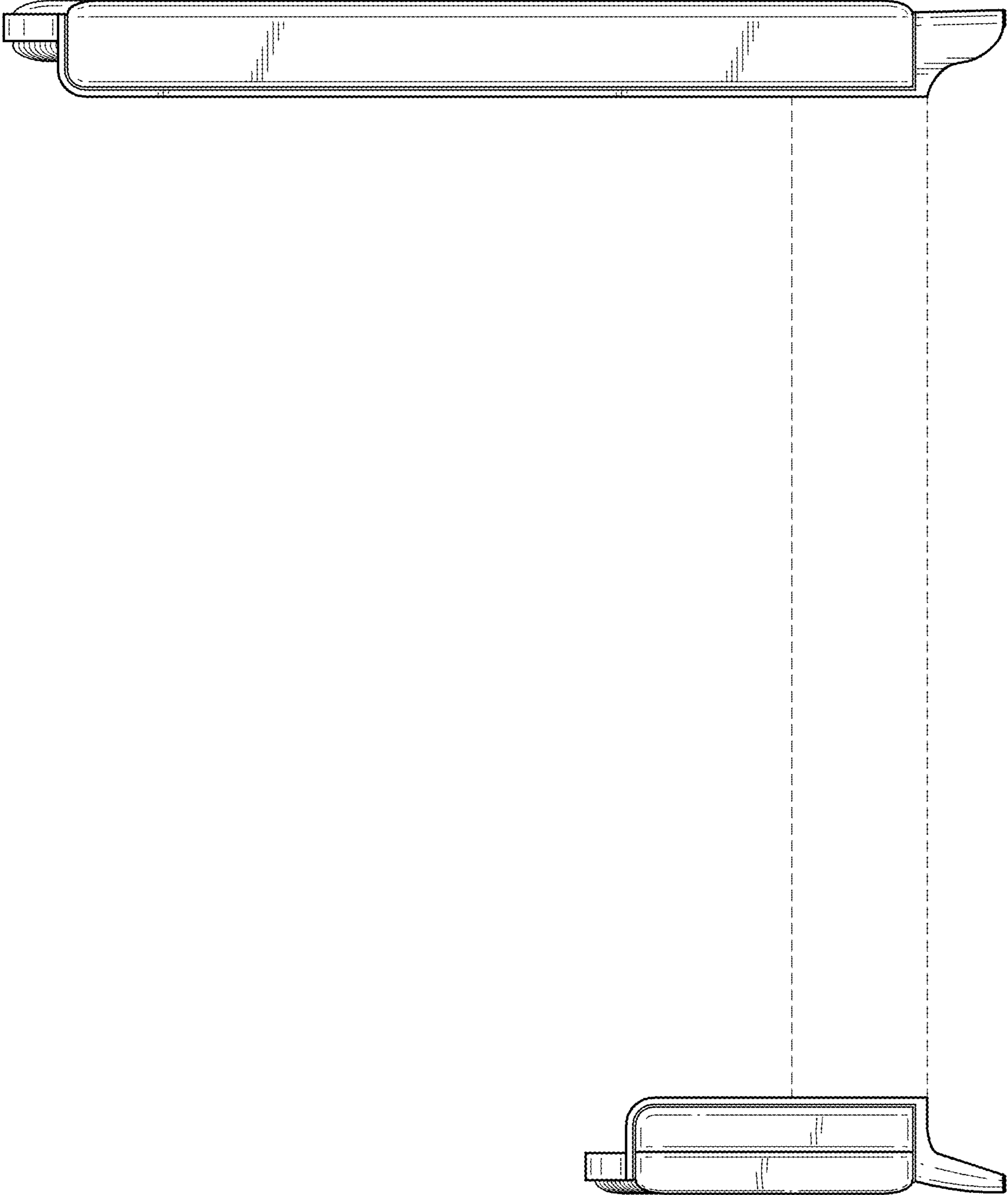


FIG. 1

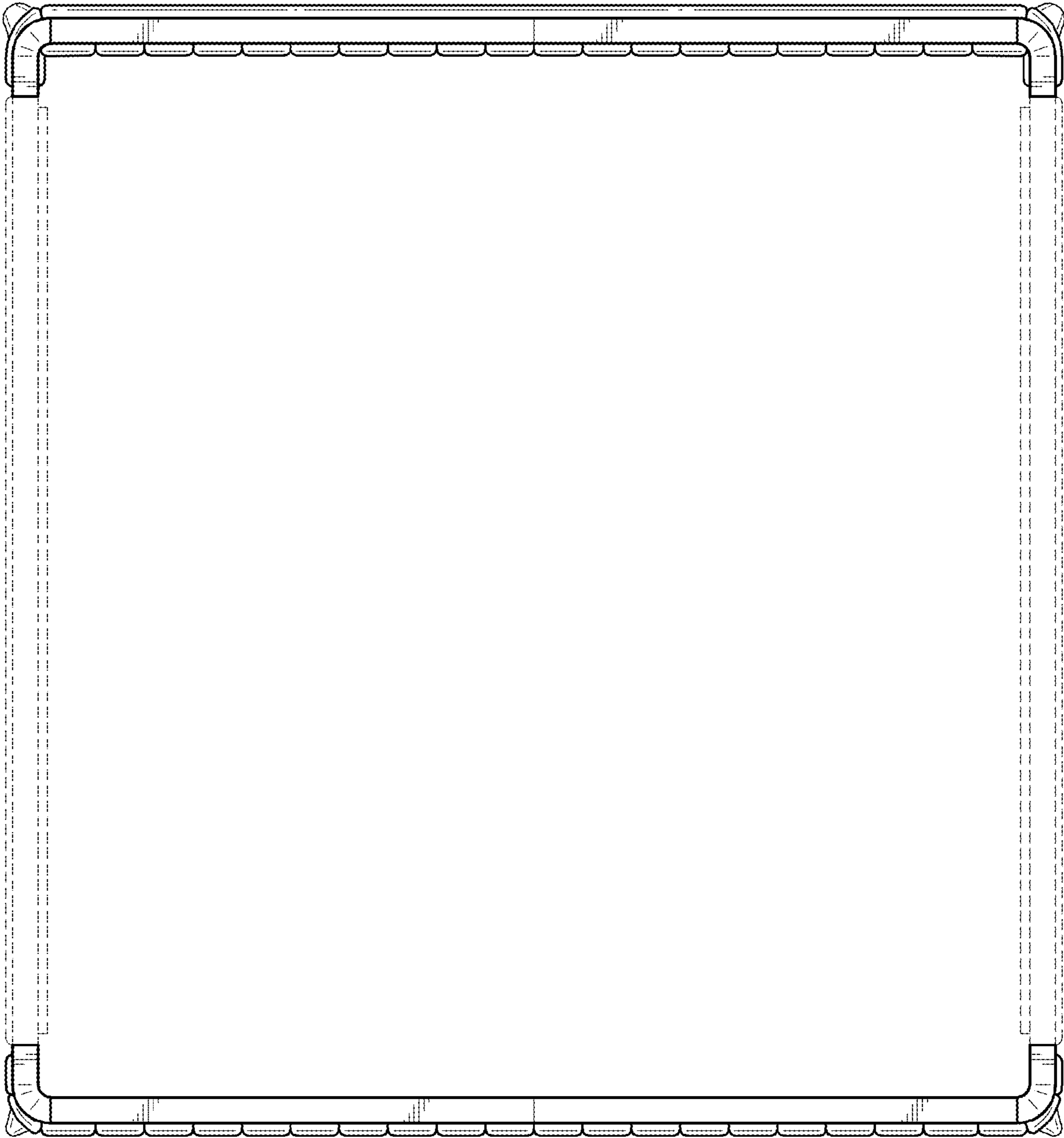




**FIG. 2**



**FIG. 3**



**FIG. 4**