



US00D870483S

(12) **United States Design Patent**  
**Zhao et al.**

(10) **Patent No.:** **US D870,483 S**

(45) **Date of Patent:** **\*\* Dec. 24, 2019**

- (54) **HAMMOCK**
- (71) Applicant: **Shenzhen Zhuo Ao Electronics Co., Ltd.**, Shenzhen, Guangdong (CN)
- (72) Inventors: **Ran Zhao**, Guangdong (CN); **Jiao Wang**, Guangdong (CN)
- (73) Assignee: **Shenzhen Zhuo Ao Electronics Co., Ltd.**, Shenzhen (CN)
- (\*\*) Term: **15 Years**
- (21) Appl. No.: **29/650,146**
- (22) Filed: **Jun. 5, 2018**
- (51) **LOC (12) Cl.** ..... **06-02**
- (52) **U.S. Cl.**  
USPC ..... **D6/387; D6/347**
- (58) **Field of Classification Search**  
USPC ..... D6/347, 386-387, 718.1, 718.11  
CPC ..... A47D 7/04; A45F 3/22; A45F 3/26; A47C 3/0255  
See application file for complete search history.

- 5,944,381 A \* 8/1999 Nguyen ..... A47D 13/105  
297/281
- 6,854,801 B2 \* 2/2005 Nussbaum ..... A47C 3/0255  
297/279
- 7,073,857 B1 \* 7/2006 Bailey ..... A47C 3/0255  
224/547
- D677,913 S \* 3/2013 Britz, Jr. .... D6/347
- 8,616,639 B2 \* 12/2013 Britz, Jr. .... A63G 9/12  
297/273
- D829,455 S \* 10/2018 Sabbagh ..... D6/347
- 2006/0151244 A1 \* 7/2006 McInnes ..... A45F 3/24  
182/187
- 2014/0310872 A1 \* 10/2014 Rozman ..... A47C 9/00  
5/122

\* cited by examiner

*Primary Examiner* — Cathron C Brooks

(57) **CLAIM**

The ornamental design for a hammock, as shown and described.

**DESCRIPTION**

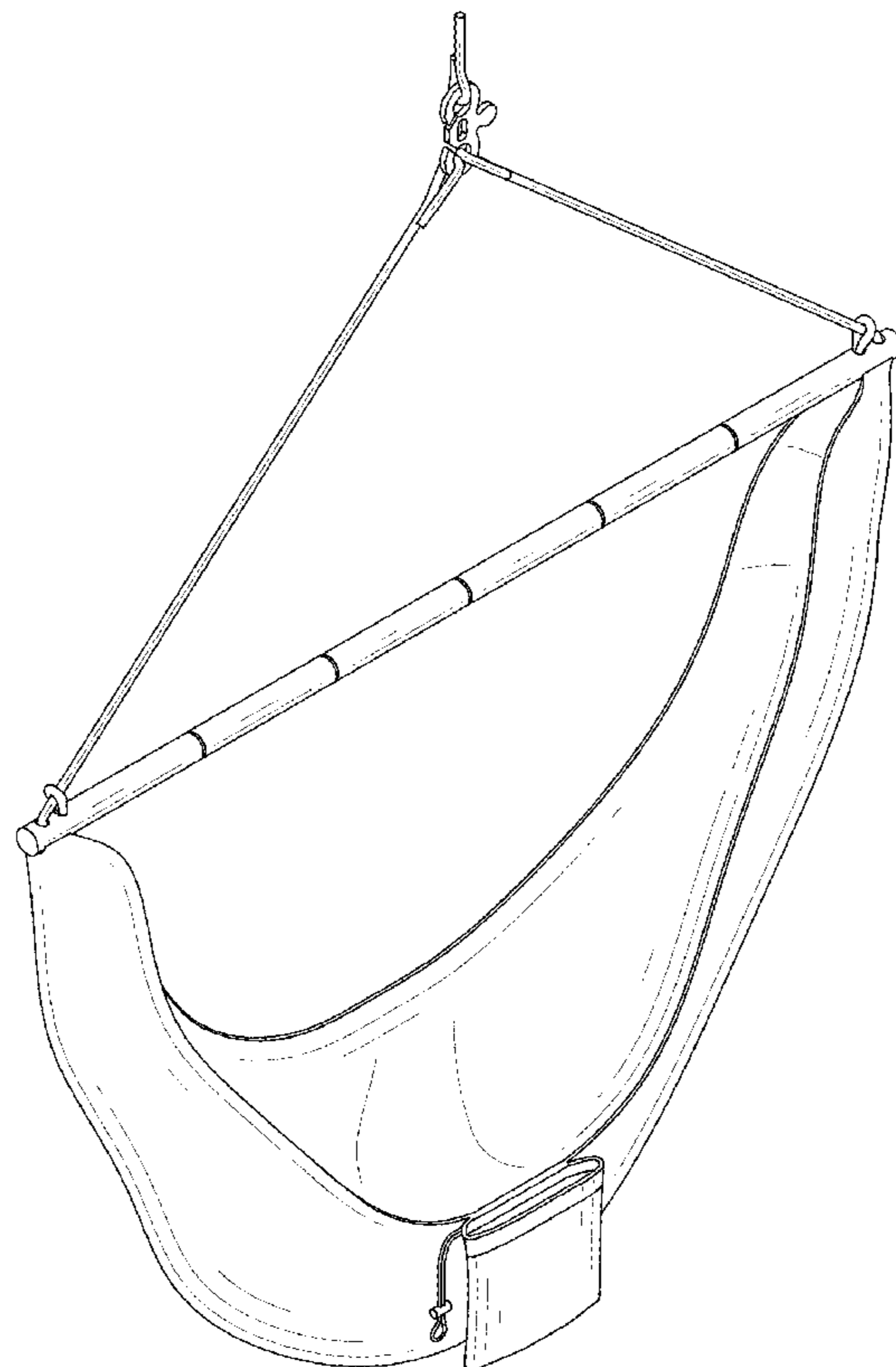
FIG. 1 is a top, front and left side perspective view of a hammock showing our new design;  
 FIG. 2 is a top, rear and right side perspective view thereof;  
 FIG. 3 is a front elevational view thereof;  
 FIG. 4 is a rear elevational view thereof;  
 FIG. 5 is a left side view thereof;  
 FIG. 6 is a right side view thereof;  
 FIG. 7 is a top plan view thereof; and,  
 FIG. 8 is a bottom plan view thereof.

**1 Claim, 8 Drawing Sheets**

(56) **References Cited**

**U.S. PATENT DOCUMENTS**

- D254,458 S \* 3/1980 Wakefield ..... D6/347
- 5,097,545 A \* 3/1992 Hooi ..... A47D 9/02  
297/274
- 5,729,844 A \* 3/1998 Kerstetter ..... A47D 13/105  
297/274



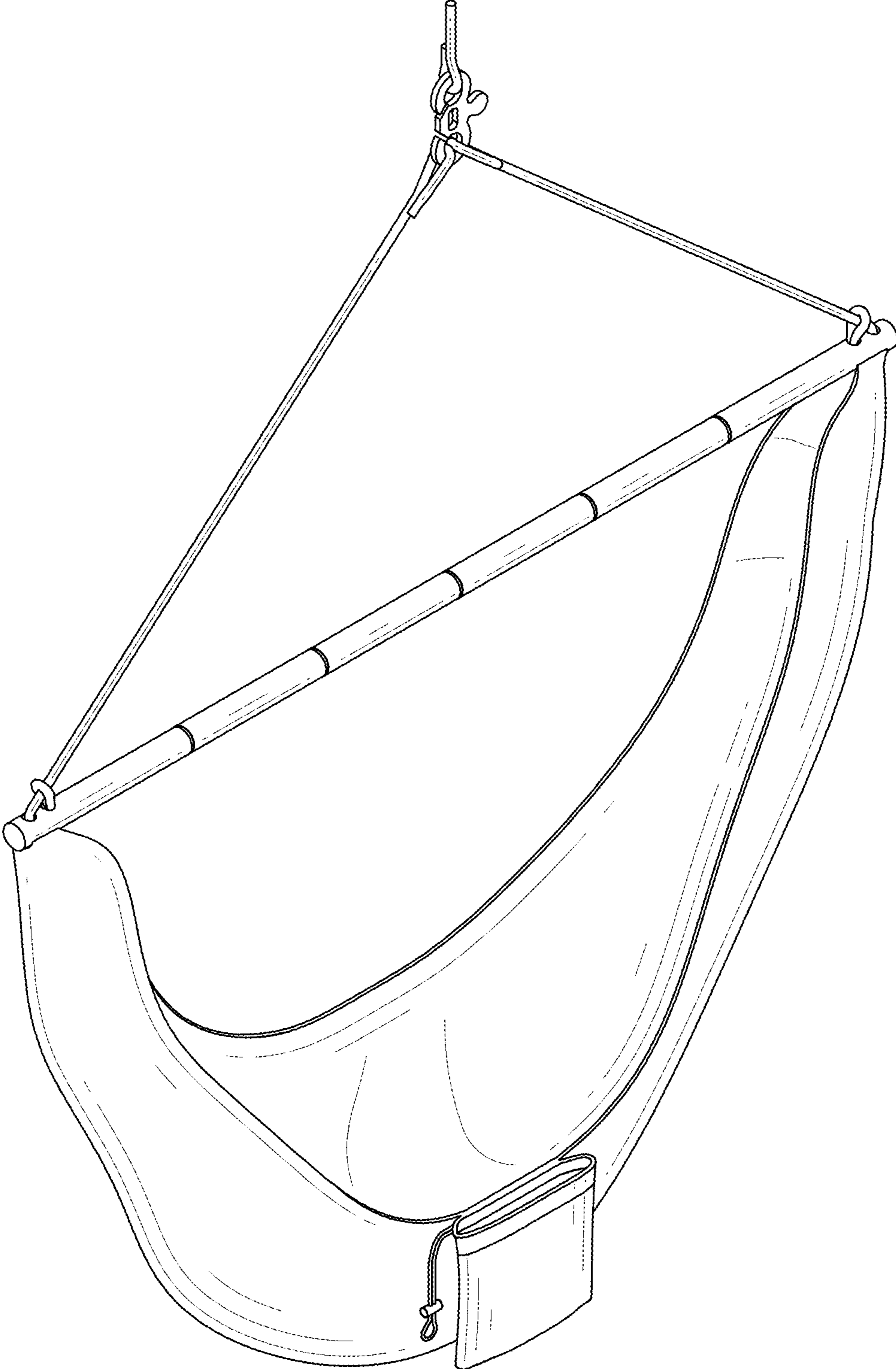


FIG. 1

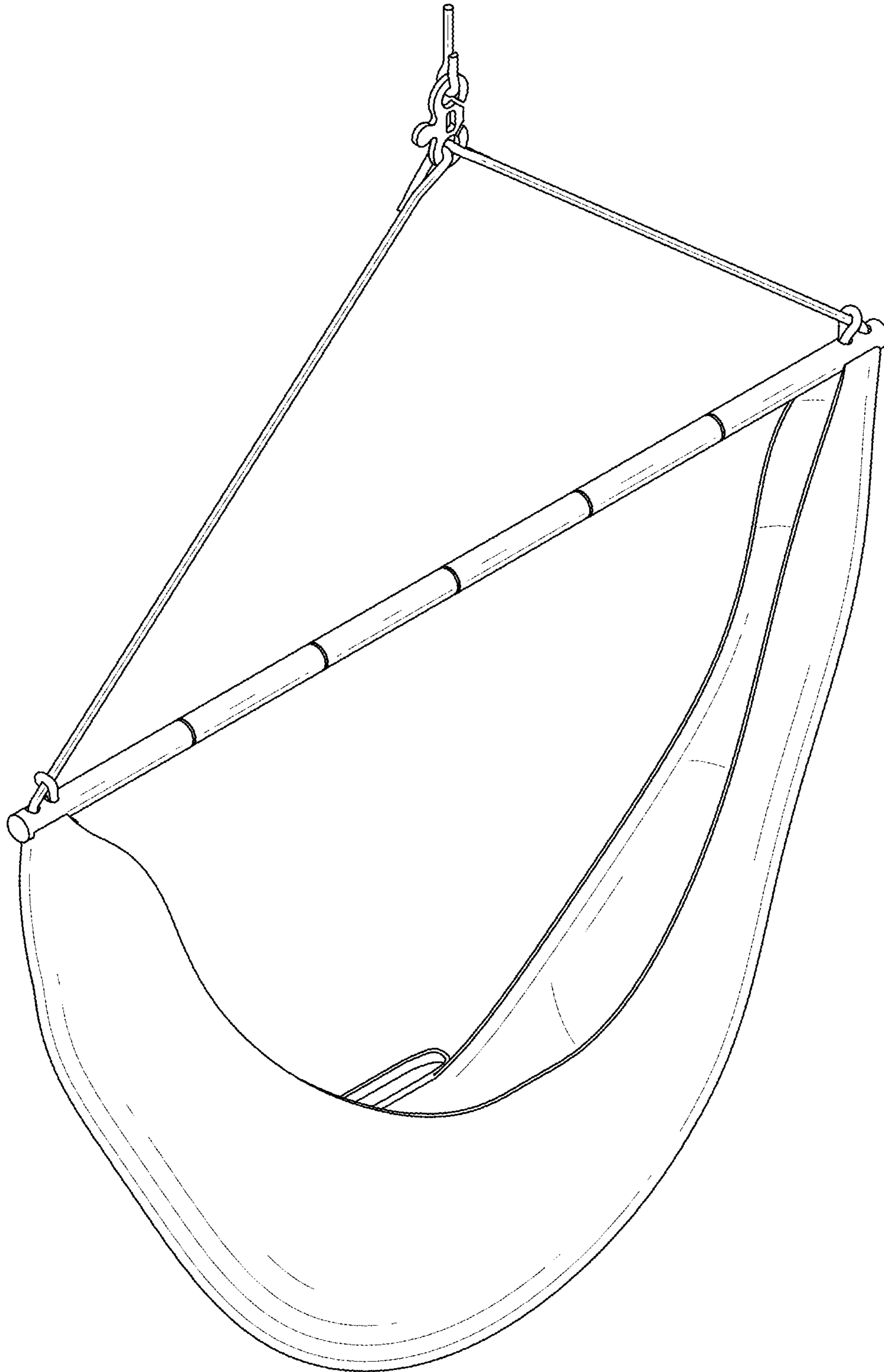


FIG. 2

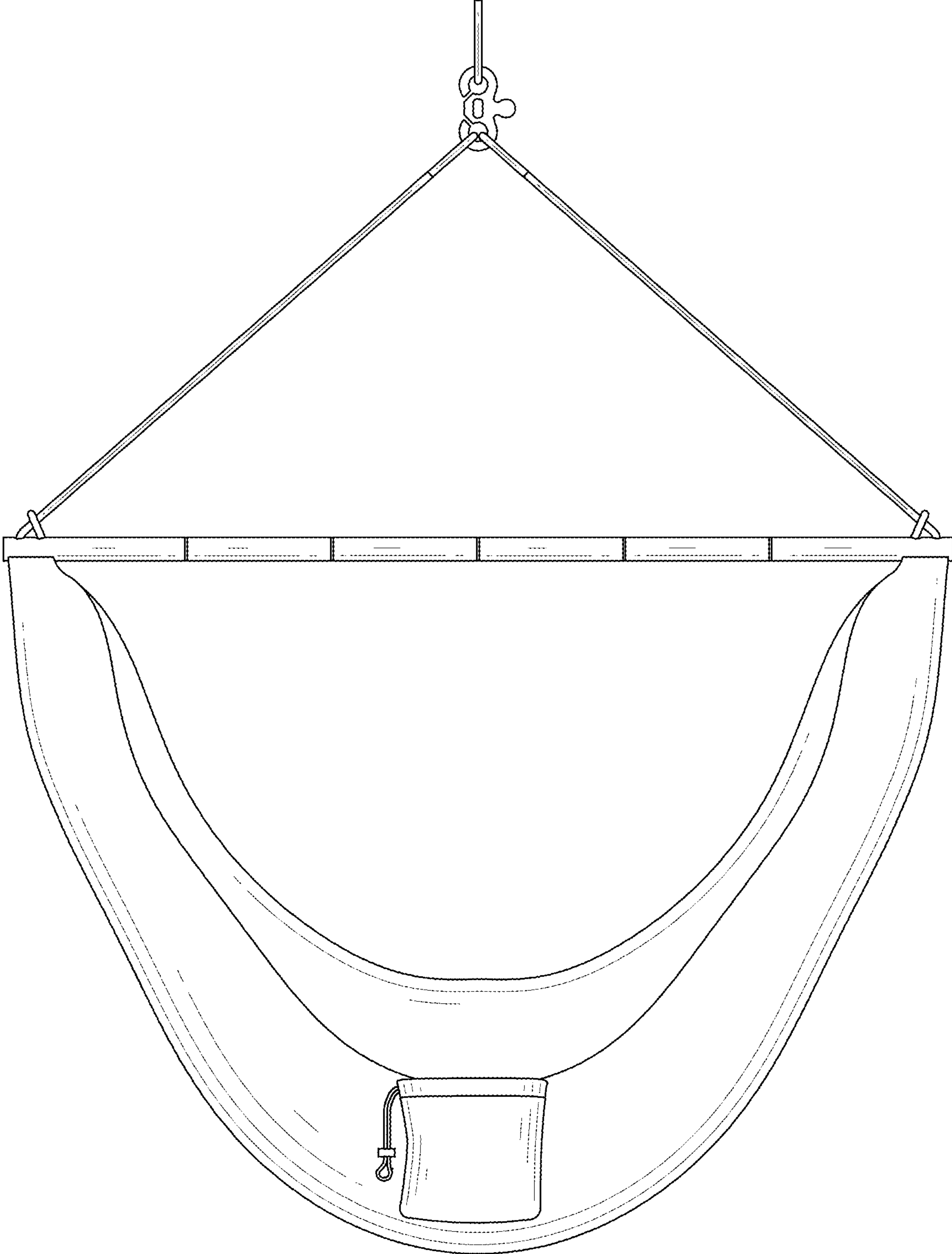


FIG. 3

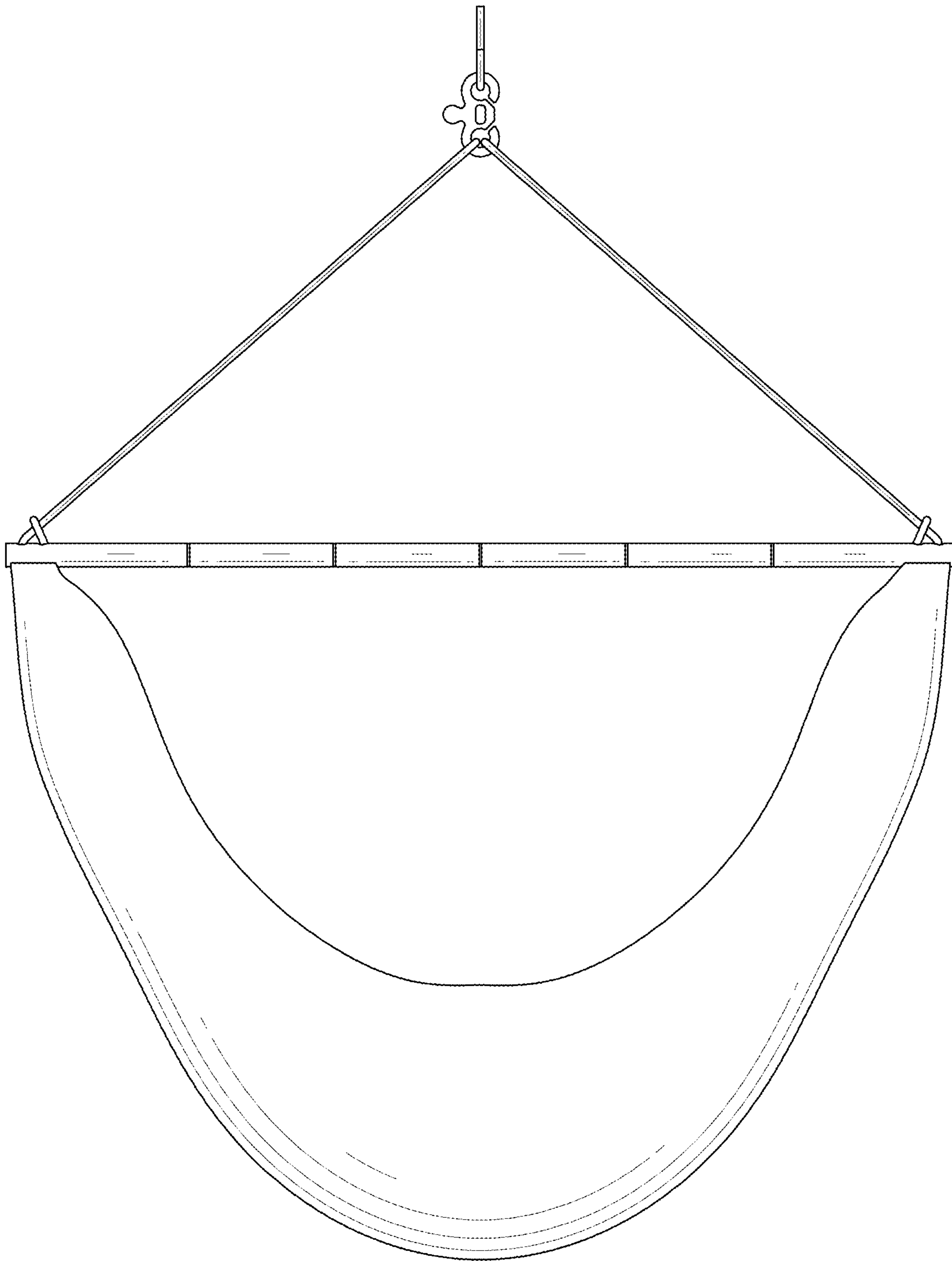


FIG. 4

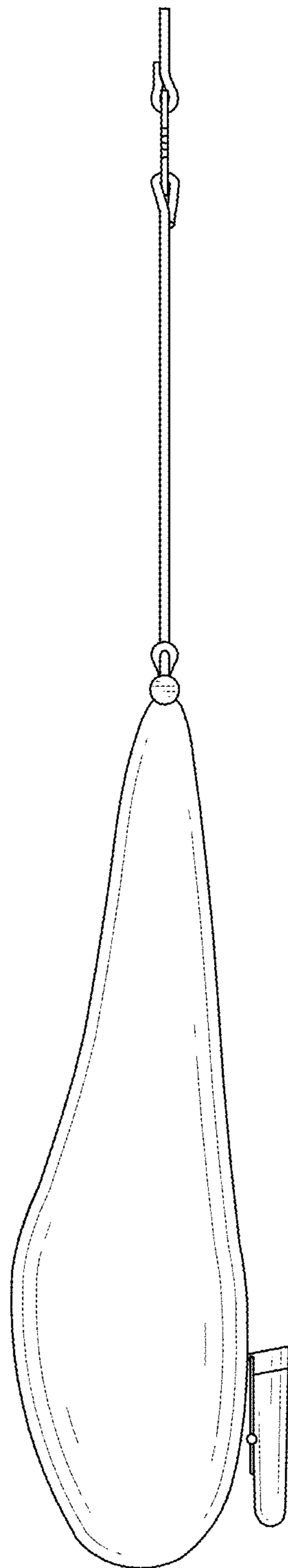


FIG. 5

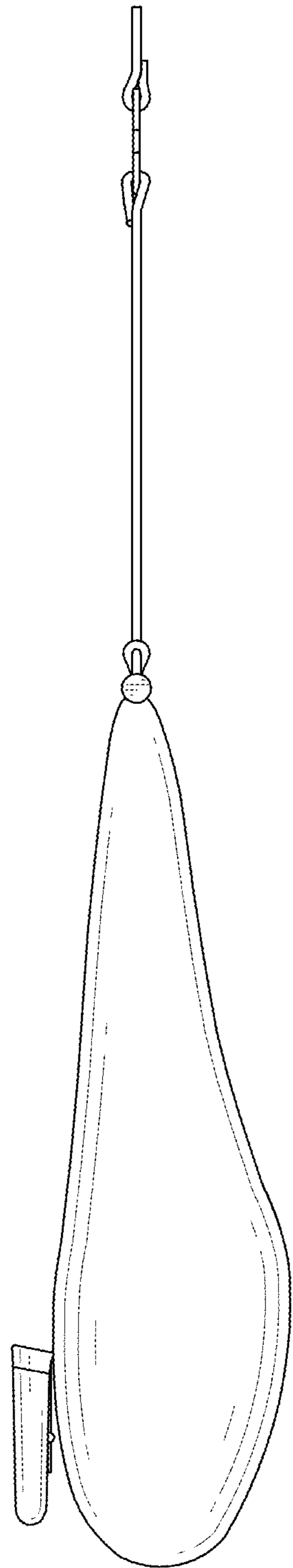


FIG. 6

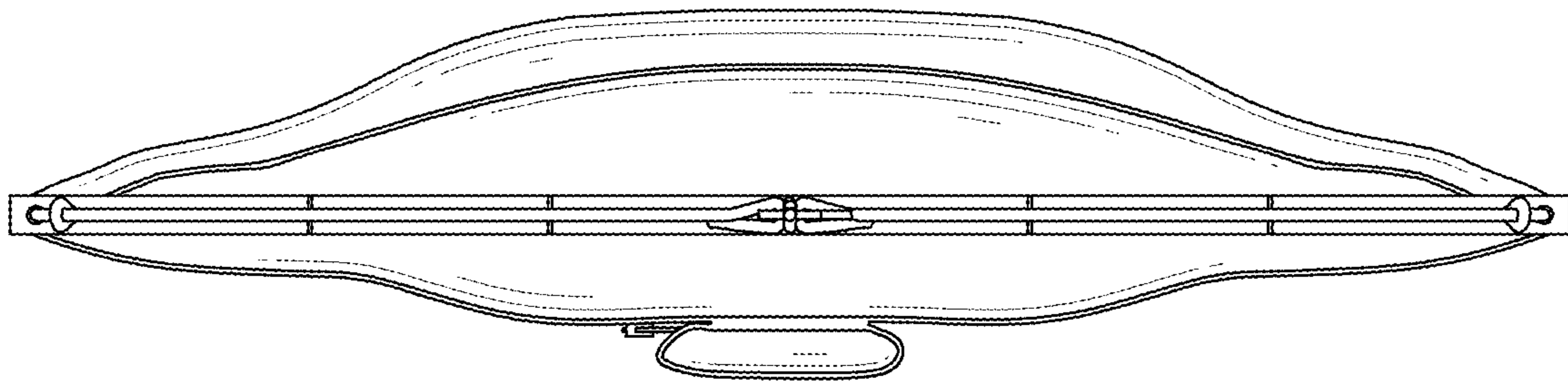


FIG. 7



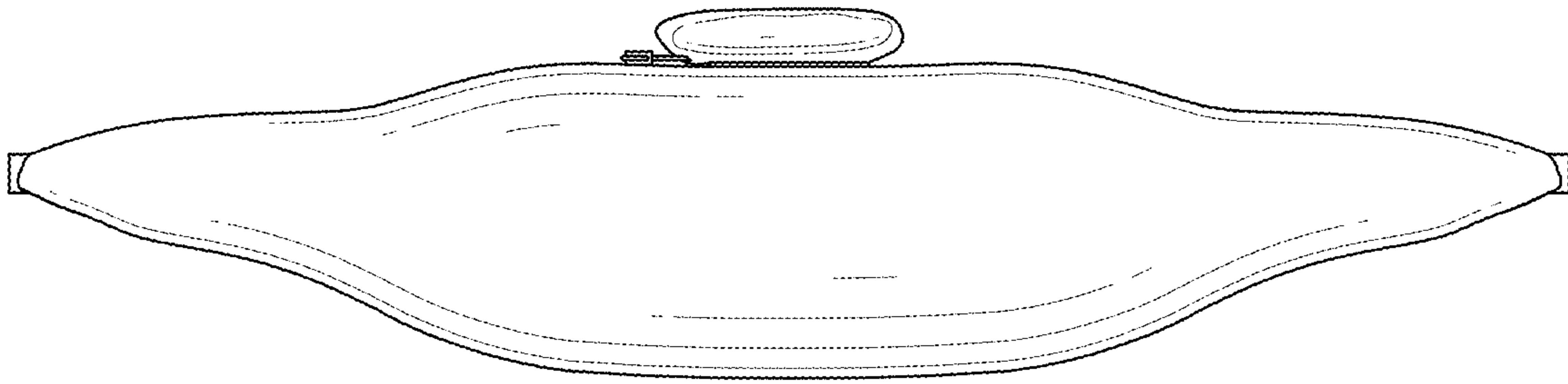


FIG. 8