



US00D870482S

(12) **United States Design Patent**
Koh

(10) **Patent No.:** **US D870,482 S**

(45) **Date of Patent:** **** Dec. 24, 2019**

(54) **SEATBACK**

(71) Applicant: **Tuang-Hock Koh**, Taichung (TW)

(72) Inventor: **Tuang-Hock Koh**, Taichung (TW)

(**) Term: **15 Years**

(21) Appl. No.: **29/661,417**

(22) Filed: **Aug. 28, 2018**

(51) **LOC (12) Cl.** **06-01**

(52) **U.S. Cl.**
USPC **D6/380**

(58) **Field of Classification Search**
USPC D6/334, 335, 349, 370-376, 379, 380
CPC A47C 1/00; A47C 3/00; A47C 3/04; A47C
3/12; A47C 5/04; A47C 5/14; A47C 7/02;
A47C 7/16; A47C 7/18; A47C 7/24;
A47C 7/36; A47C 7/40
See application file for complete search history.

(56) **References Cited**

U.S. PATENT DOCUMENTS

D171,210 S * 12/1953 Jones D6/375
D228,483 S * 10/1973 Sebel D6/375

D289,120 S * 4/1987 Chadwick D6/380
D349,826 S * 8/1994 Homann D6/375
D493,642 S * 8/2004 Maran D6/375
D564,248 S * 3/2008 Alter Molina D6/373
D611,740 S * 3/2010 Koh D6/375
D690,147 S * 9/2013 Meyer D6/375
D764,849 S * 8/2016 Piretti D6/380
D834,867 S * 12/2018 Kolberg D6/716
D845,691 S * 4/2019 Weller D6/716
D846,932 S * 4/2019 Lampela D6/716.4

* cited by examiner

Primary Examiner — R. Johnson

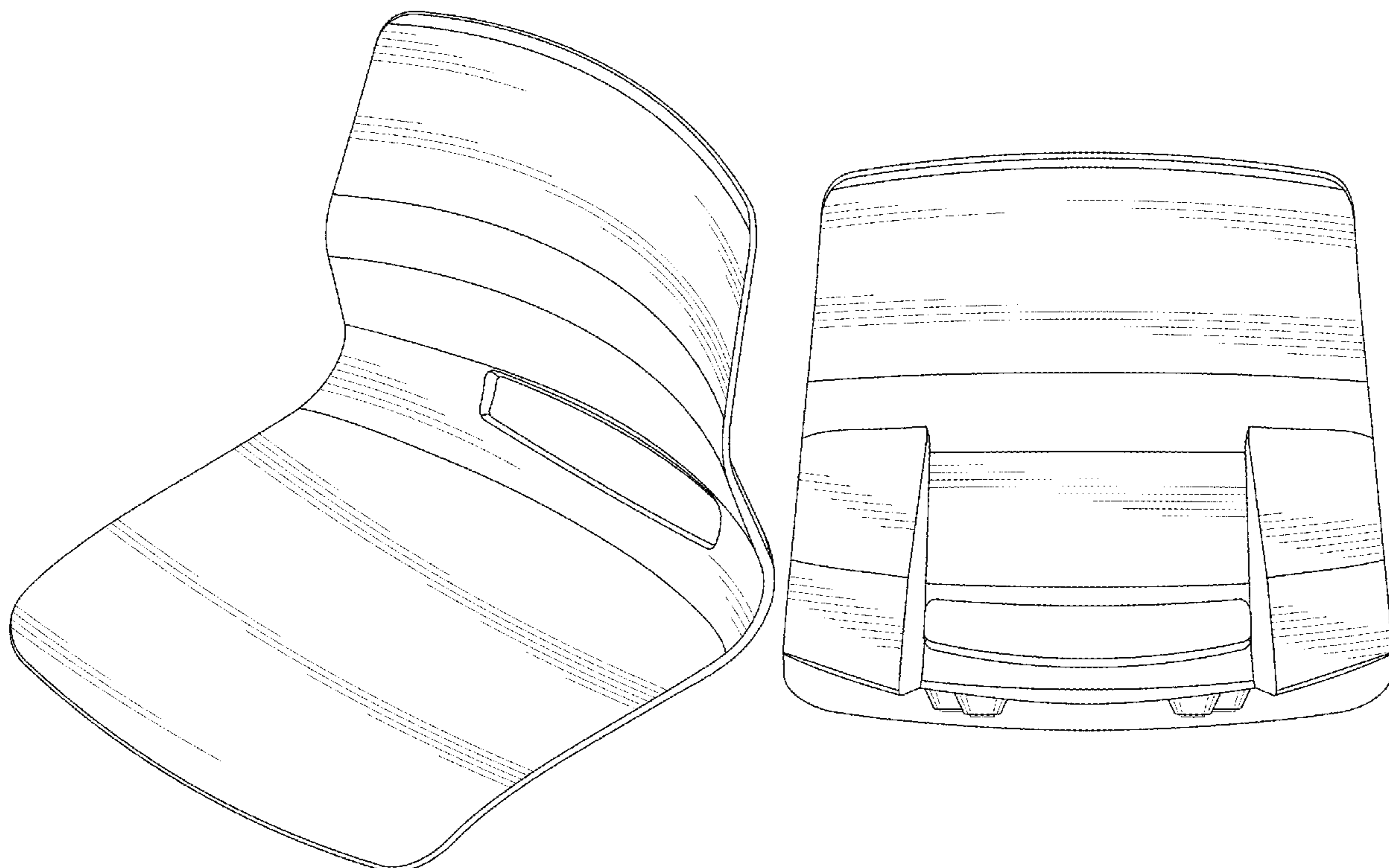
(57) **CLAIM**

The ornamental design for a seatback, as shown and described.

DESCRIPTION

FIG. 1 is a front-right-top perspective view of the seatback showing my new design;
FIG. 2 is a front elevational view thereof;
FIG. 3 is a rear front elevational view thereof;
FIG. 4 is a left side elevational view thereof;
FIG. 5 is a right side elevational view thereof;
FIG. 6 is a top plan view thereof;
FIG. 7 is a bottom plan view thereof; and,
FIG. 8 is a front-right-bottom perspective view thereof.

1 Claim, 8 Drawing Sheets



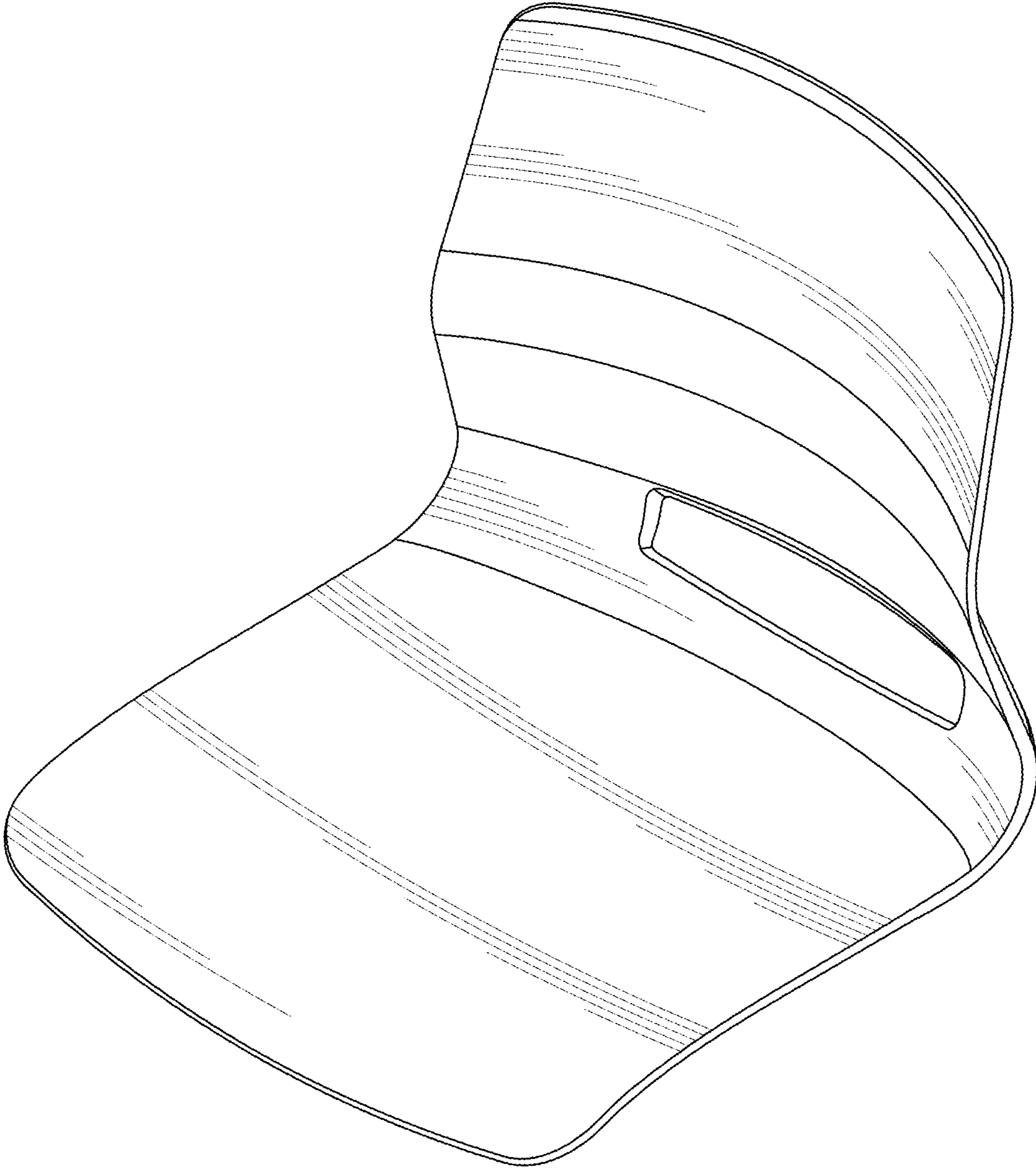


FIG. 1

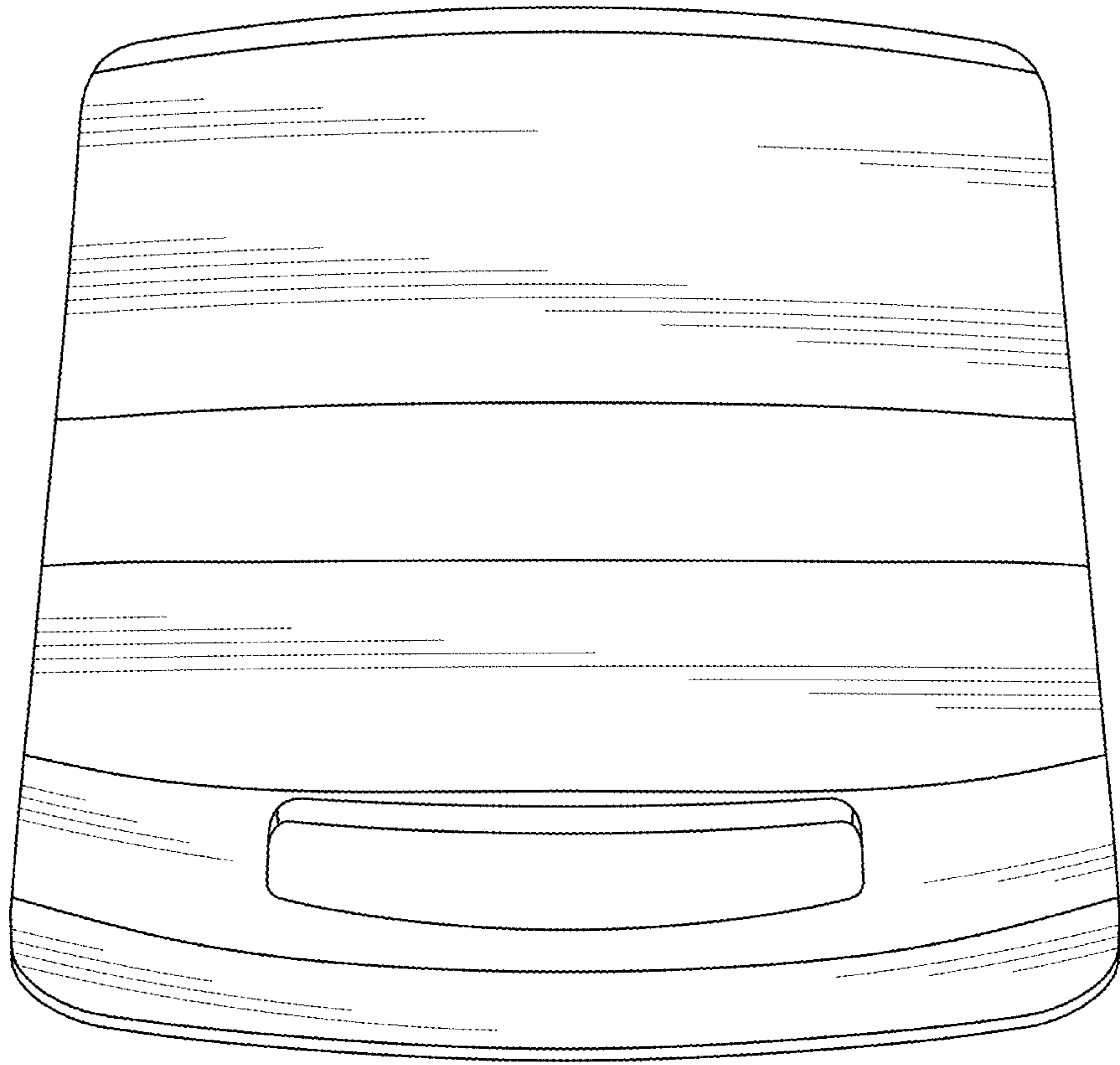


FIG.2

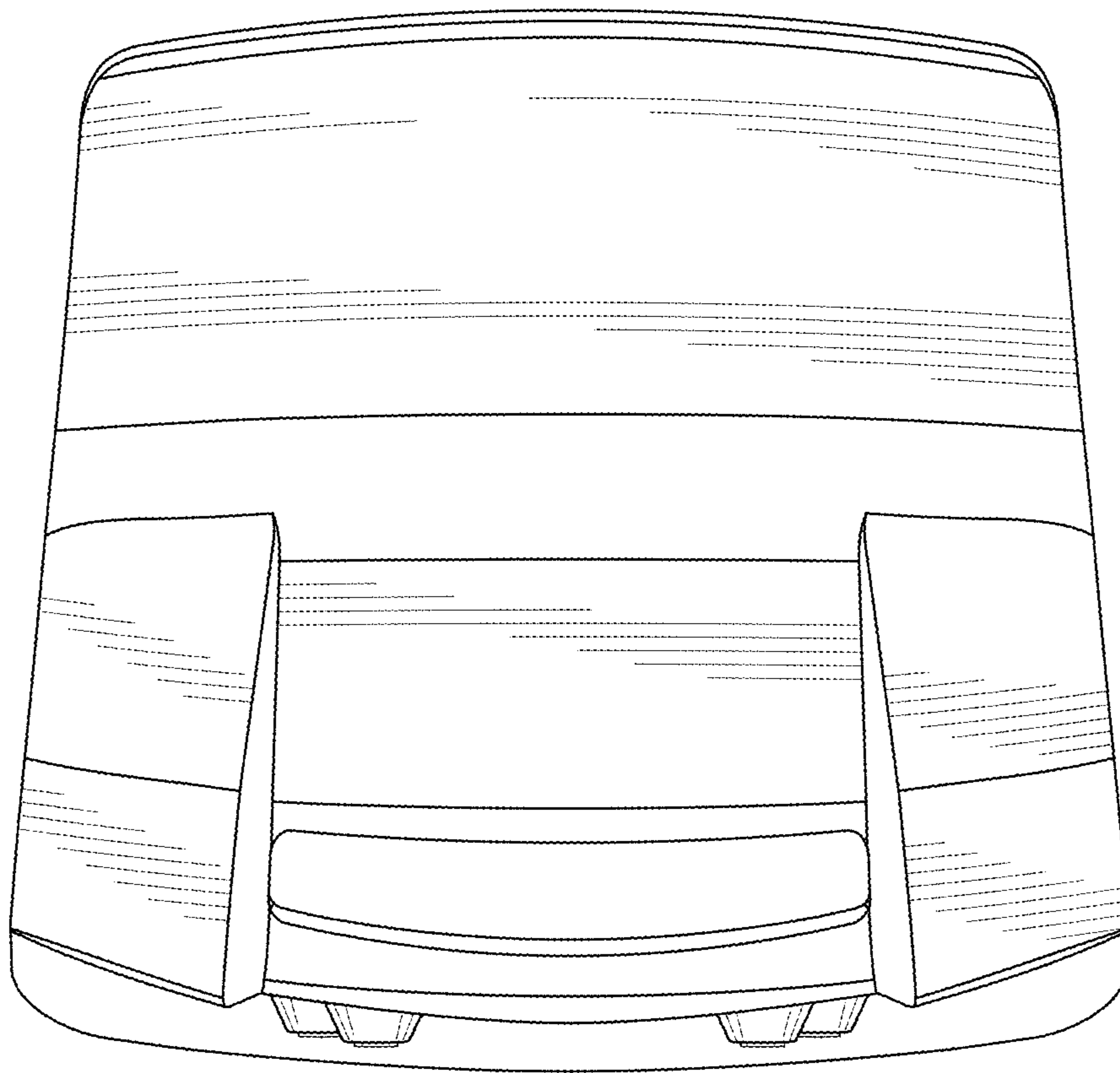


FIG.3

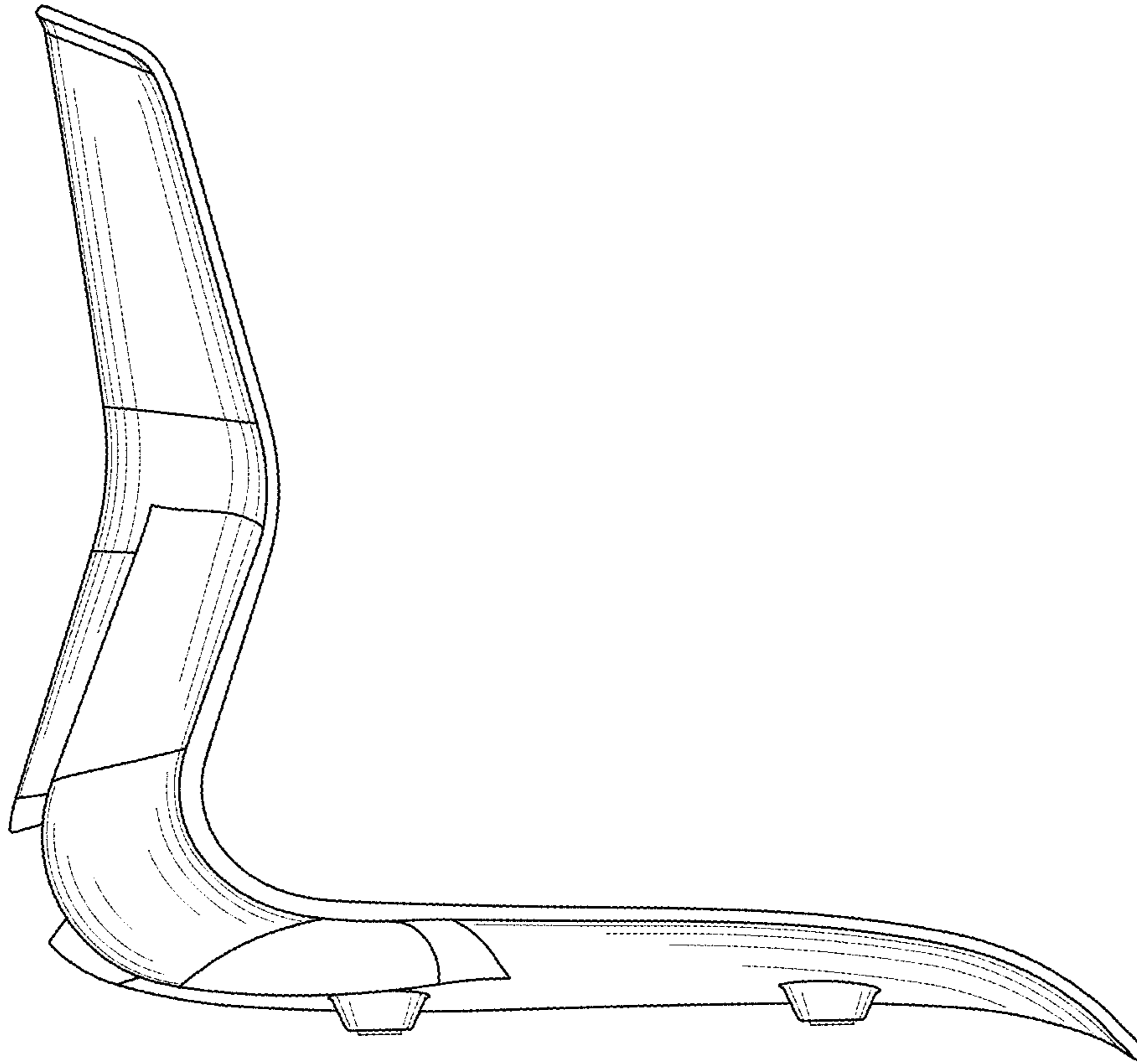


FIG.4

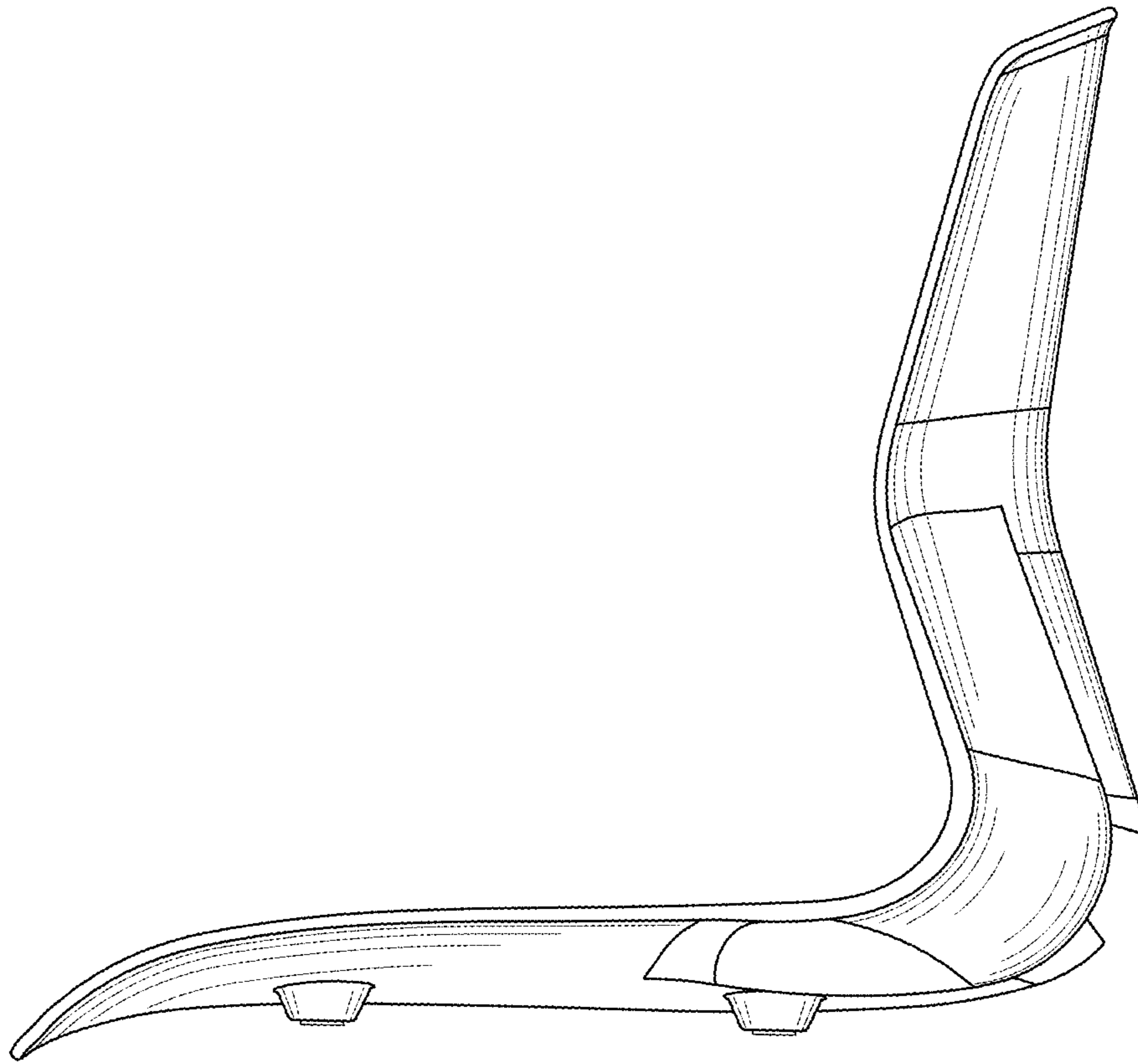


FIG.5

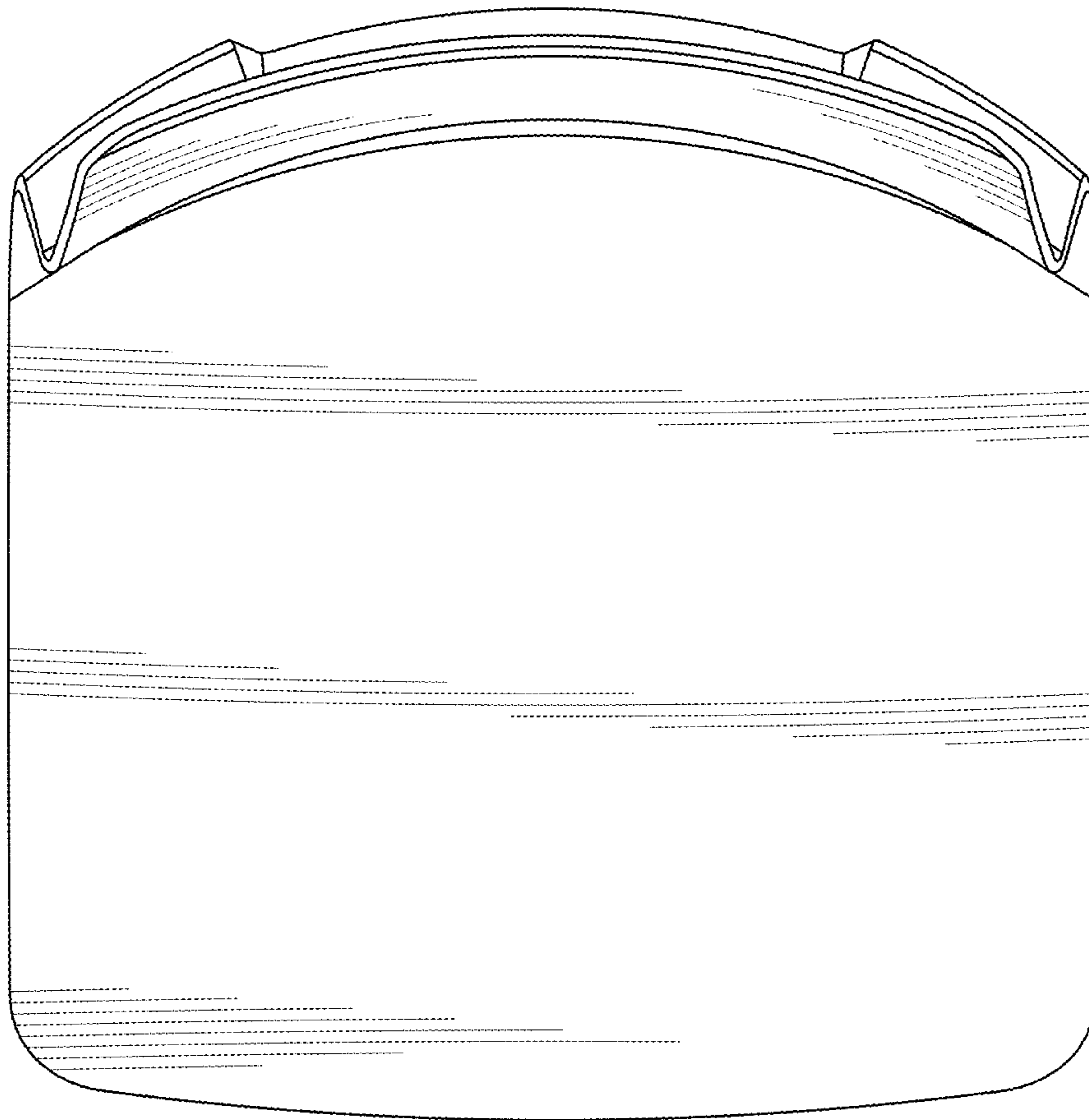


FIG.6

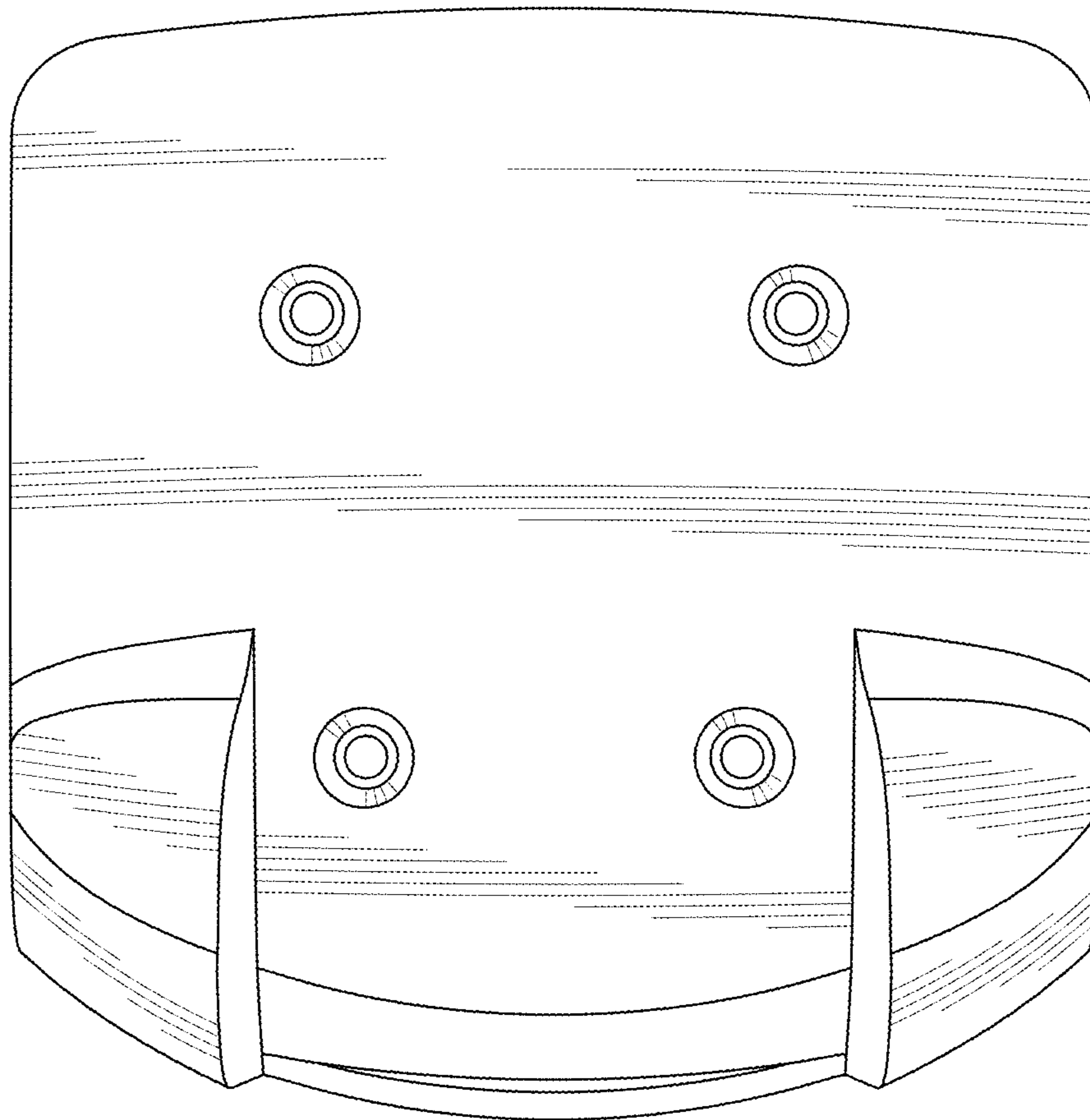


FIG. 7

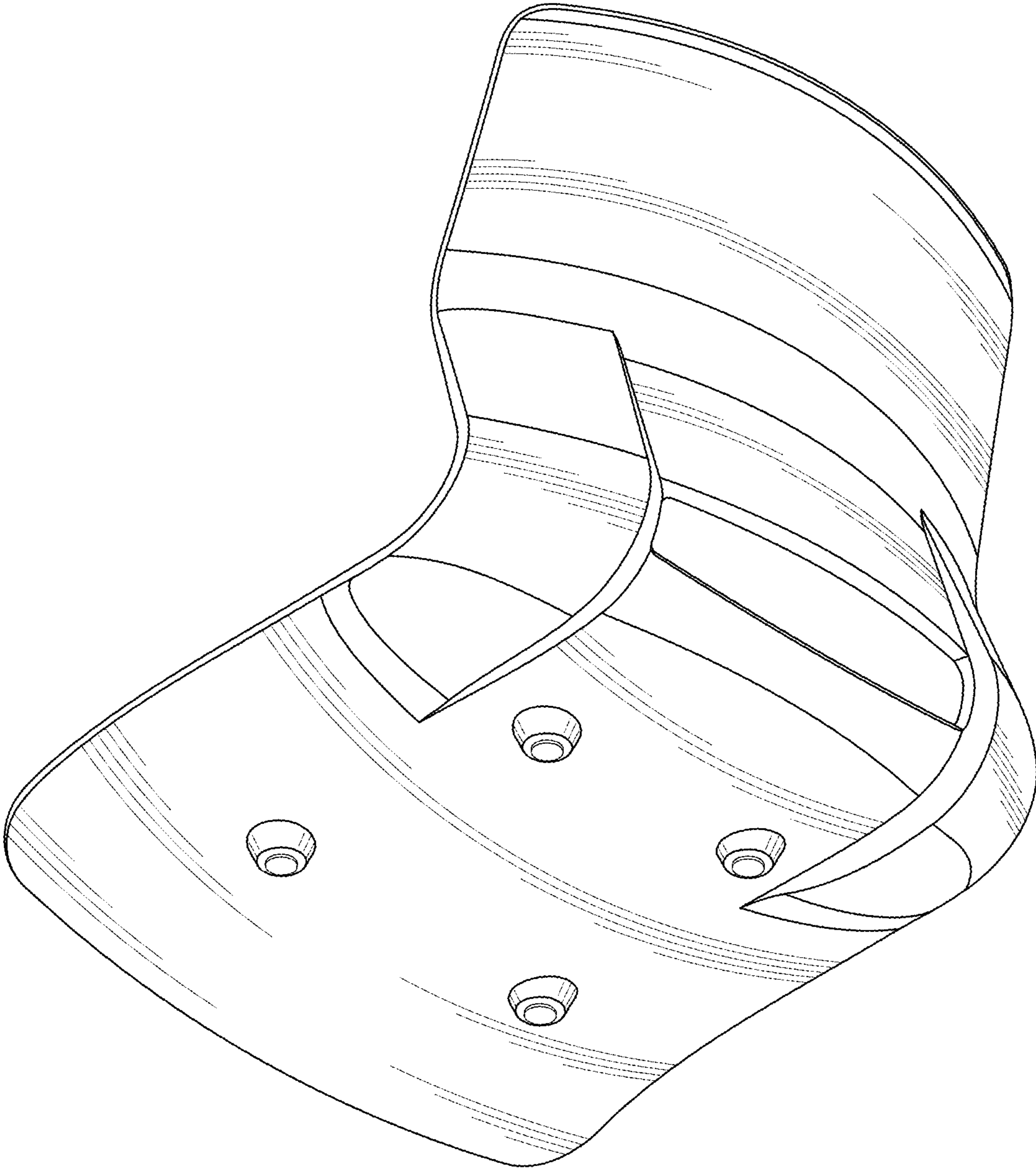


FIG.8