



US00D870475S

(12) **United States Design Patent** (10) **Patent No.:** **US D870,475 S**  
**Iwasaki** (45) **Date of Patent:** **\*\* Dec. 24, 2019**

(54) **BENCH**  
(71) Applicant: **ARPER S.P.A.**, Monastier di Treviso (IT)  
(72) Inventor: **Ichiro Iwasaki**, Treviso (IT)  
(73) Assignee: **Arper S.p.A.**, Monastier di Treviso (IT)  
(\*\*) Term: **15 Years**  
(21) Appl. No.: **35/505,898**  
(22) Filed: **Jul. 6, 2018**  
(80) **Hague Agreement Data**  
Int. Filing Date: **Jul. 6, 2018**  
Int. Reg. No.: **DM/103138**  
Int. Reg. Date: **Jul. 6, 2018**  
Int. Reg. Pub. Date: **Oct. 19, 2018**

(30) **Foreign Application Priority Data**  
Feb. 8, 2018 (WO) ..... DM/101147  
(51) **LOC (12) Cl.** ..... **06-01**  
(52) **U.S. Cl.**  
USPC ..... **D6/349**; D6/381  
(58) **Field of Classification Search**  
USPC ..... D6/334-336, 339, 342, 349, 352, 355,  
D6/359, 368, 370-375, 379-381, 395,  
D6/716, 716.1  
CPC .. A47C 1/124; A47C 7/16; A47C 7/18; A47C  
7/185; A47C 7/20; A47C 11/00; A47C  
11/005; A47C 13/00  
See application file for complete search history.

(56) **References Cited**  
U.S. PATENT DOCUMENTS  
443,301 A \* 12/1890 Stienen ..... A47C 7/48  
297/244  
3,761,131 A \* 9/1973 Oliver ..... A47C 7/18  
297/452.16

D247,080 S \* 1/1978 Robinson ..... D6/690  
D259,157 S \* 5/1981 Lubke ..... D6/381  
D364,749 S \* 12/1995 McKnight ..... D6/375  
D368,176 S \* 3/1996 Mourgue ..... D6/334  
D428,716 S \* 8/2000 Larger ..... D6/349  
D585,212 S \* 1/2009 Paulin ..... D6/381  
D642,820 S \* 8/2011 Andersen ..... D6/381  
8,011,707 B1 \* 9/2011 Summers ..... A47C 1/124  
280/47.35  
D671,761 S \* 12/2012 Risdall ..... D6/373  
D713,172 S \* 9/2014 Tobin ..... D6/601  
D717,554 S \* 11/2014 Kapka ..... D6/349  
D722,238 S \* 2/2015 Baraldi ..... D6/336  
D725,931 S \* 4/2015 Lievore ..... D6/381  
D742,134 S \* 11/2015 Miller ..... D6/381  
D814,823 S \* 4/2018 Barrell ..... D6/381  
D834,841 S \* 12/2018 Mandon ..... D6/349

(Continued)

**OTHER PUBLICATIONS**

Kiik—Linear and L-Shaped Arrangements (available online) Retrieved from the internet Aug. 16, 2019 from URL: <https://www.arper.com/ww/en/products/collections/kiik-linear-and-l-shaped-arrangements>.\*

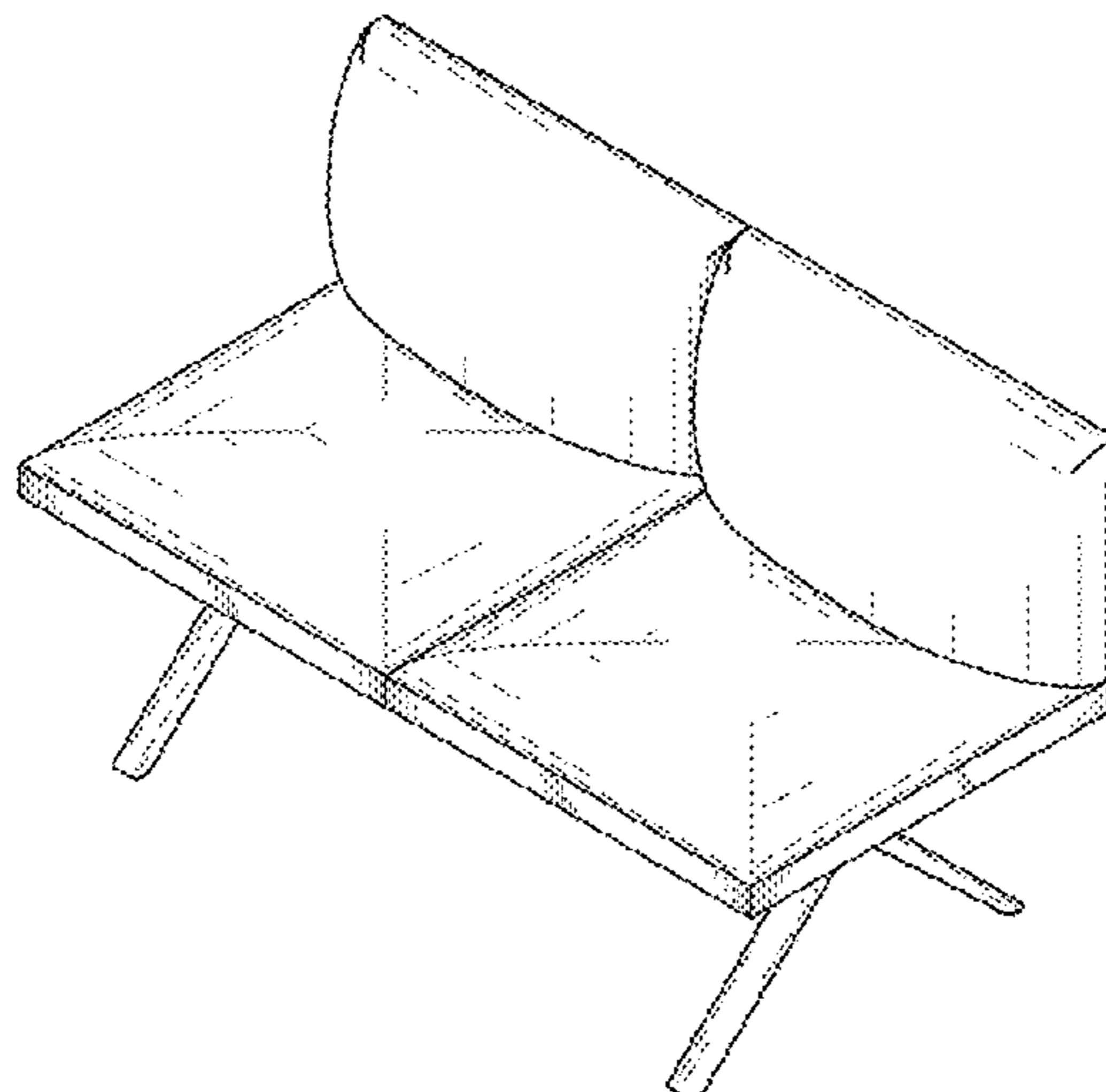
*Primary Examiner* — George D. Kirschbaum  
*Assistant Examiner* — Richard Kearney  
(74) *Attorney, Agent, or Firm* — Thomas|Horstemeyer, LLP

(57) **CLAIM**  
The ornamental design for a bench, as shown and described.

**DESCRIPTION**

- 1. Bench
- 1.1 : Perspective
- 1.2 : Left
- 1.3 : Right
- 1.4 : Front
- 1.5 : Back
- 1.6 : Top
- 1.7 : Bottom

**1 Claim, 7 Drawing Sheets**



(56)

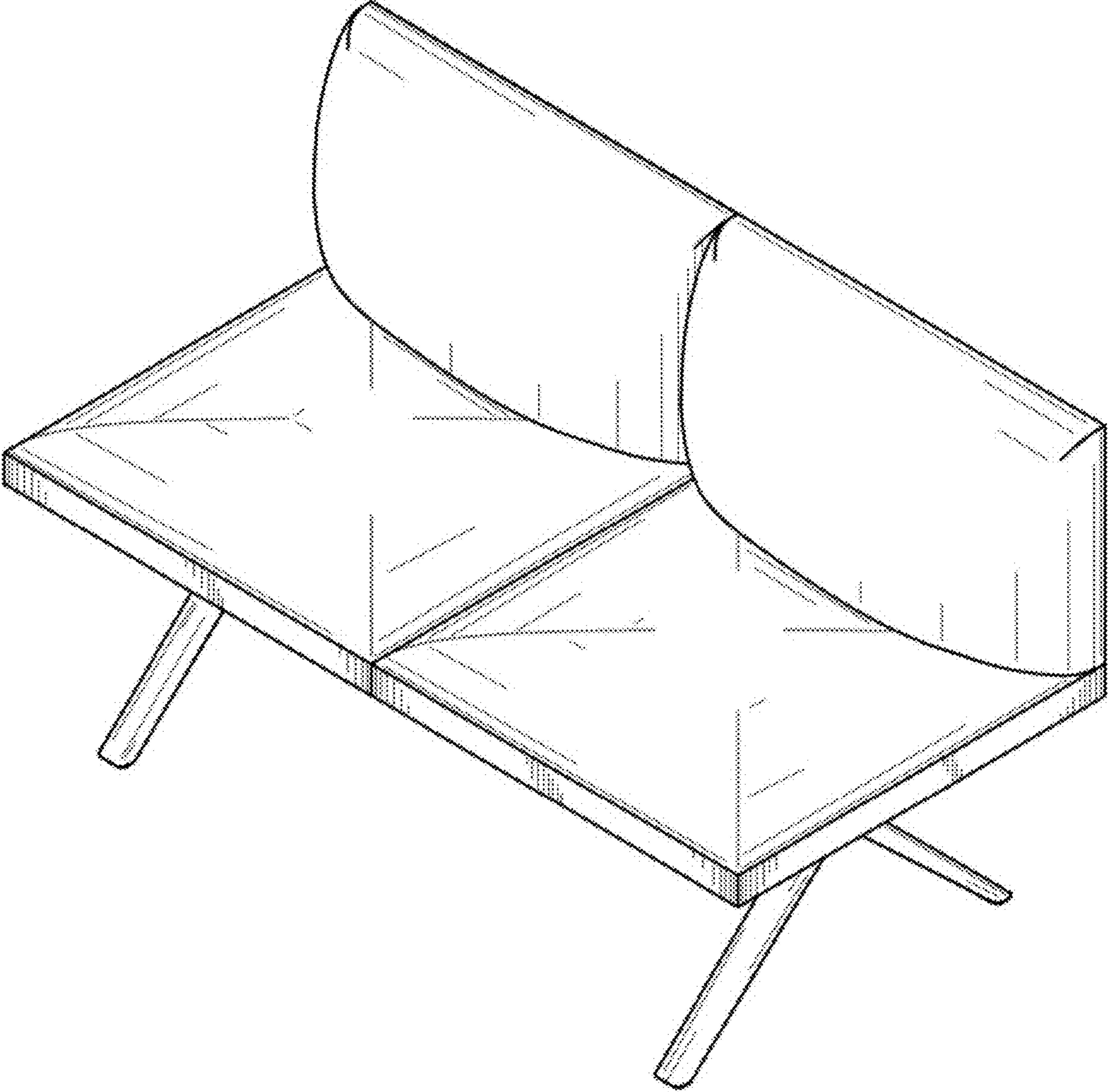
**References Cited**

U.S. PATENT DOCUMENTS

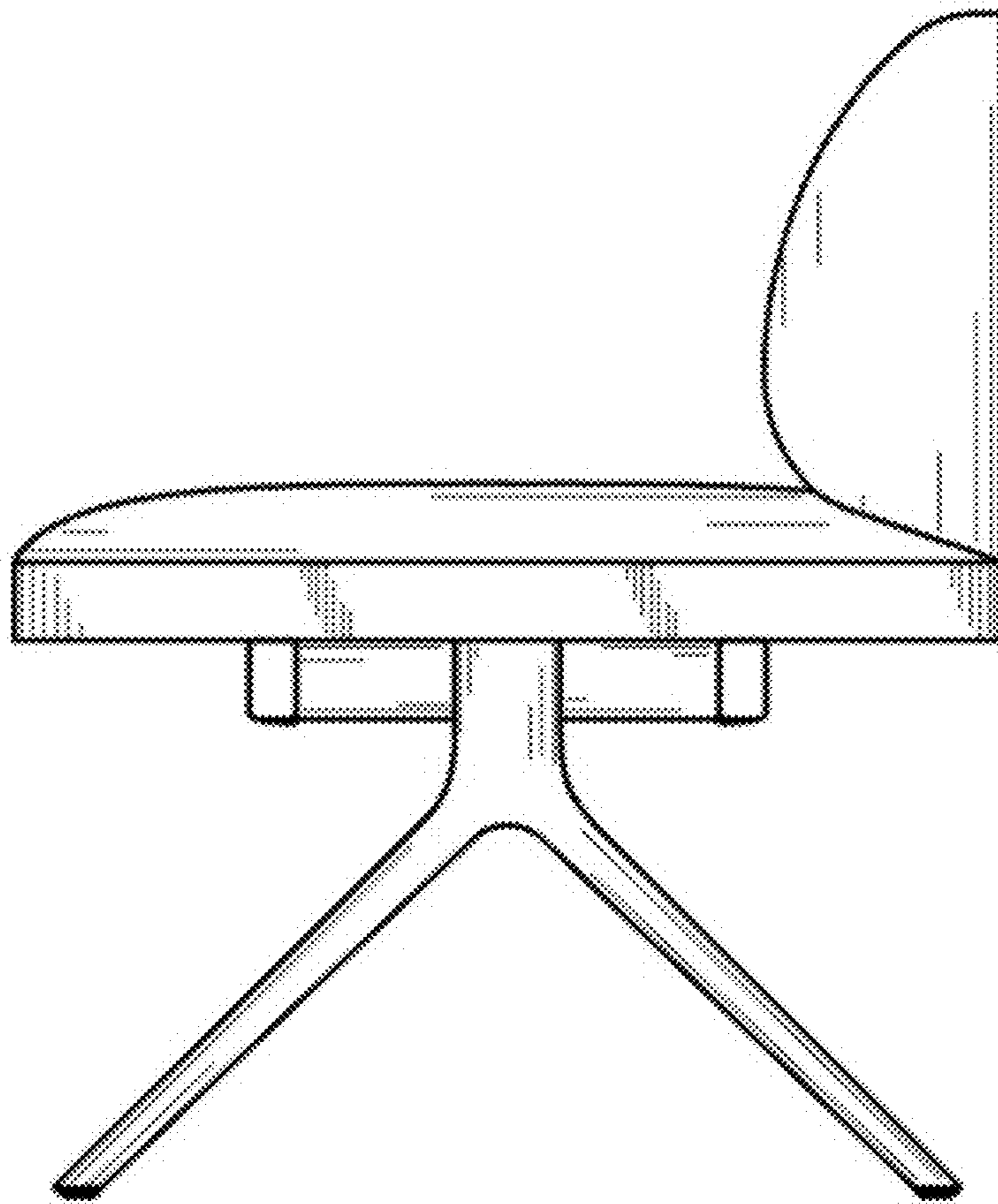
D854,864 S \* 7/2019 Lim ..... D6/684  
2003/0168896 A1\* 9/2003 Berkowicz ..... A47C 1/124  
297/248  
2007/0101910 A1\* 5/2007 Haimoff ..... A47B 3/0818  
108/169  
2016/0296014 A1\* 10/2016 O'Connell, Jr. .... A47B 85/00

\* cited by examiner

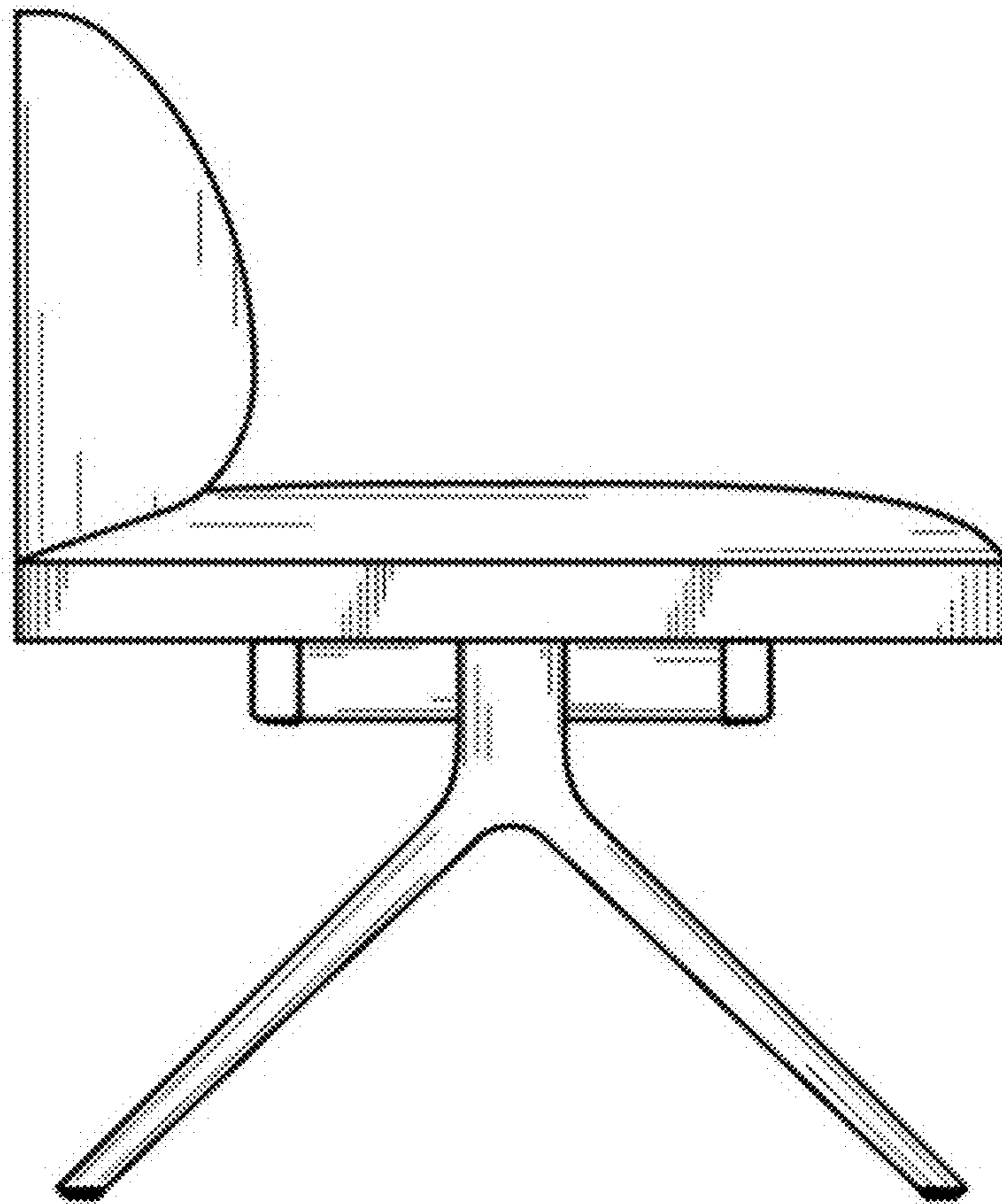
1.1



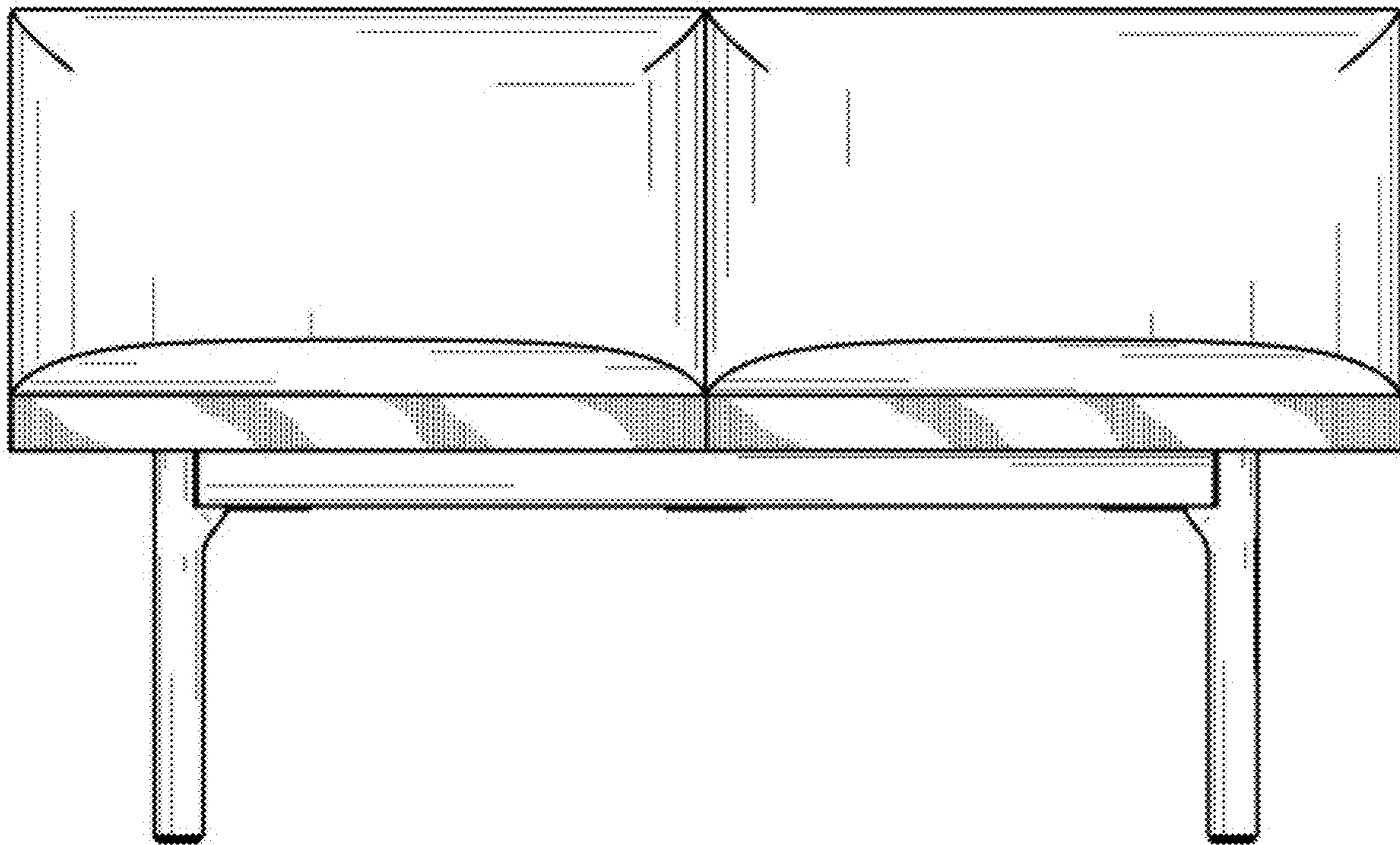
1.2



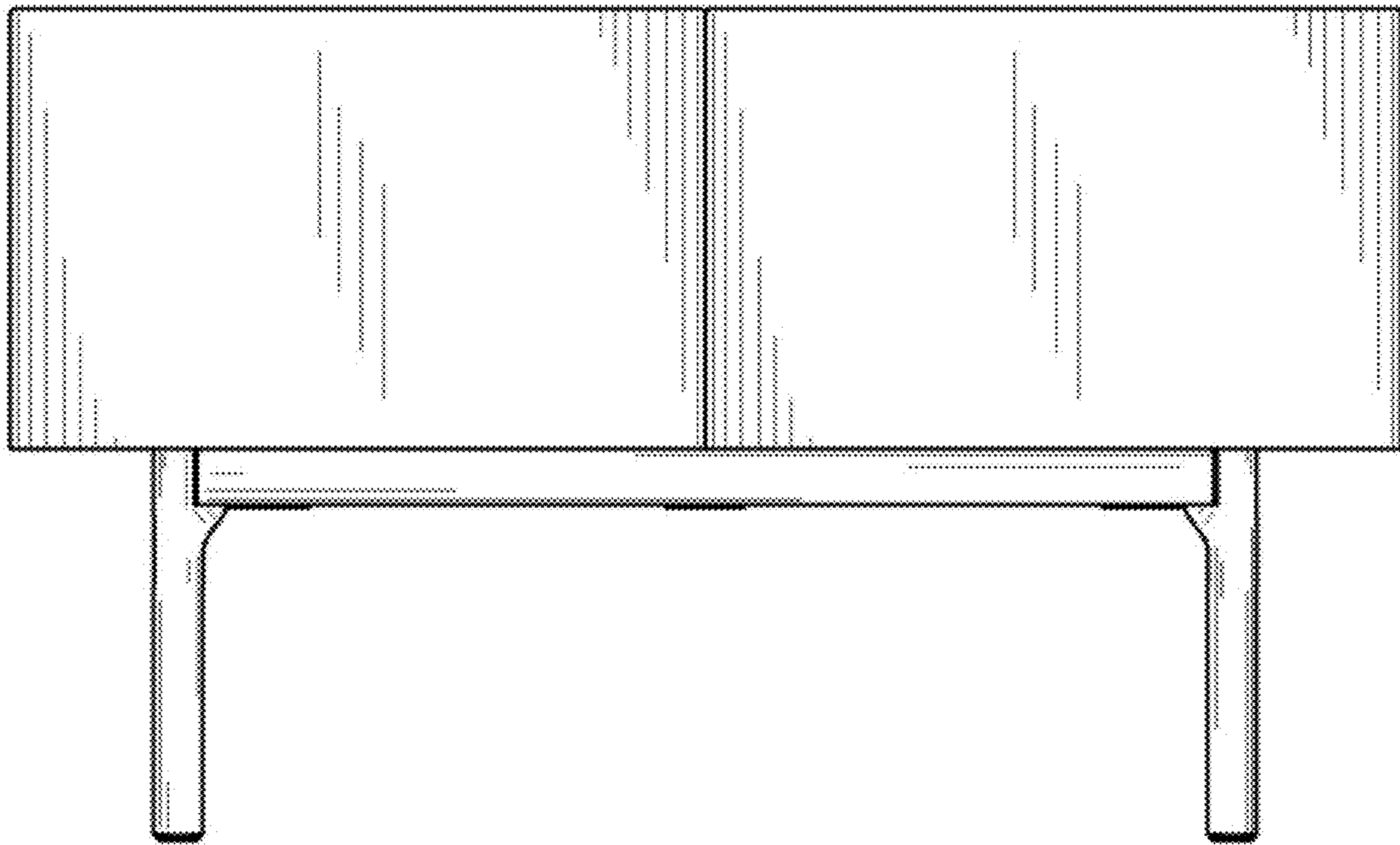
1.3



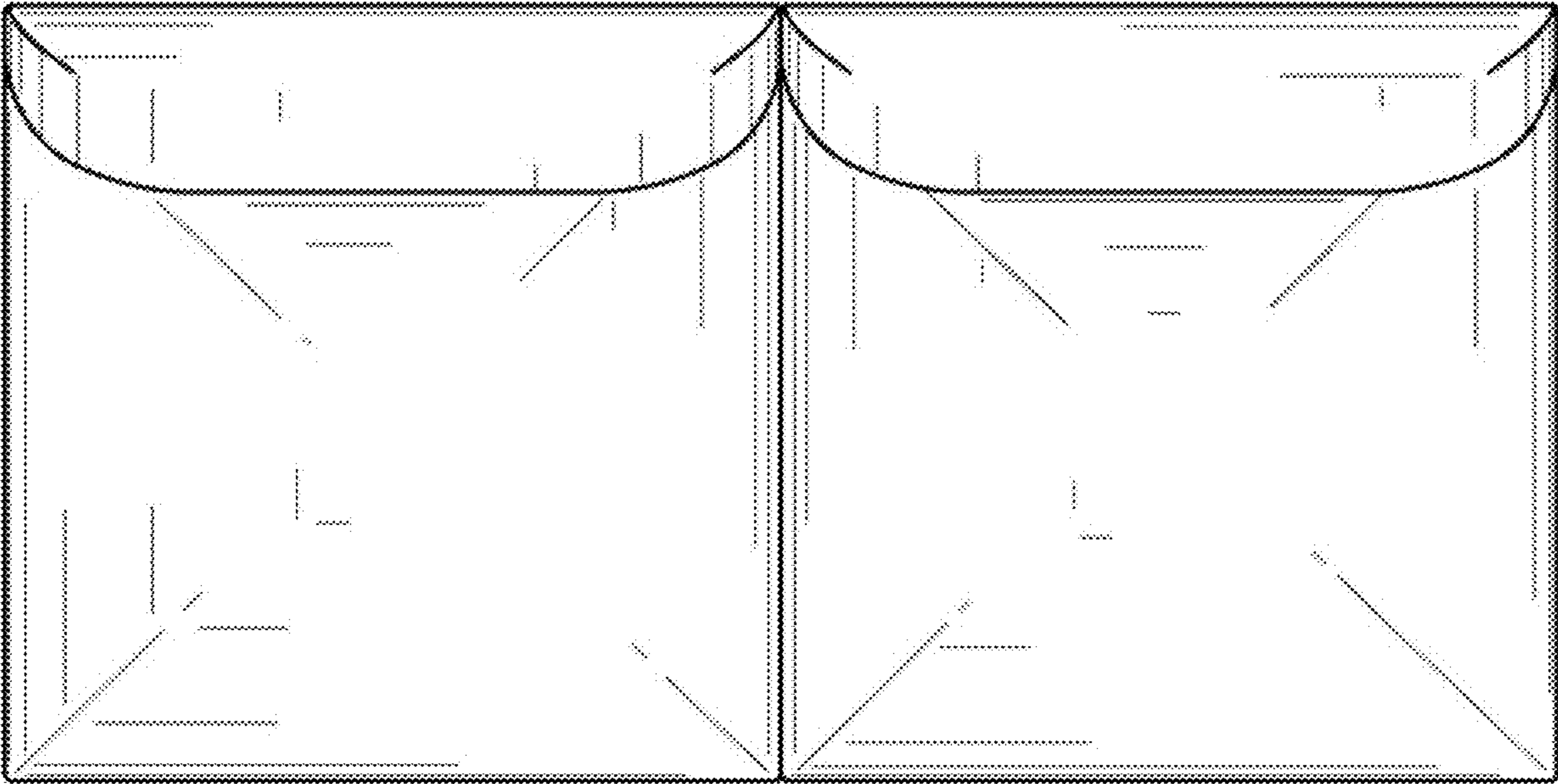
1.4



1.5



1.6





1.7

