



US00D870473S

(12) **United States Design Patent**
Hamilton et al.

(10) **Patent No.:** **US D870,473 S**
(45) **Date of Patent:** **** Dec. 24, 2019**

- (54) **SCREEN**
- (71) Applicant: **Steelcase Inc.**, Grand Rapids, MI (US)
- (72) Inventors: **John Richard Hamilton**, San Rafael, CA (US); **Heini Elisa Honkanen**, München (DE)
- (73) Assignee: **Steelcase Inc.**, Grand Rapids, MI (US)
- (**) Term: **15 Years**
- (21) Appl. No.: **29/649,552**
- (22) Filed: **May 31, 2018**
- (51) **LOC (12) Cl.** **06-06**
- (52) **U.S. Cl.**
USPC **D6/332**
- (58) **Field of Classification Search**
USPC D6/332, 300, 314, 713, 714; D19/20, 91; D20/43, 44
CPC E04B 2/74; E04B 2/7401; E04B 2/7405; E04B 2/7407; E04B 2/7416; E04B 2/7433; E04B 2002/7464; E04B 2/76; E04B 2/824; E04B 2/88; E04B 2/7425; E04B 2/7427; E04B 2/7431; E04B 2/7409; E04B 2/7422; E04B 2002/7479; A47B 91/02; A47B 91/022; A47B 91/024; A47G 5/00; A47H 23/00
See application file for complete search history.

- (56) **References Cited**
U.S. PATENT DOCUMENTS
3,713,474 A * 1/1973 Orlando E04B 2/7409 160/351
3,949,827 A * 4/1976 Witherspoon E04B 2/7437 181/284
D245,893 S * 9/1977 Page D6/332
D256,138 S * 7/1980 Tesar D20/10
D318,574 S * 7/1991 Witzig D6/332

- 5,351,740 A * 10/1994 Hanna A47G 5/00 160/135
- D375,410 S * 11/1996 Wang D6/300
- 5,611,380 A * 3/1997 Landy B60J 11/08 160/370.21
- D388,313 S 12/1997 Benner et al.
- D392,686 S * 3/1998 Sarkisian D20/21
- 5,771,954 A * 6/1998 Benner A47G 5/00 160/135
- D427,783 S * 7/2000 Luedke A47G 5/00 D6/332
- 6,202,659 B1 * 3/2001 Sachs A45B 17/00 135/142
- 6,213,191 B1 4/2001 Nitzsche
(Continued)

Primary Examiner — Kevin K Rudzinski
Assistant Examiner — Kimberly Barnes
 (74) *Attorney, Agent, or Firm* — Price Heneveld LLP

(57) **CLAIM**
The ornamental design for a screen, as shown and described.

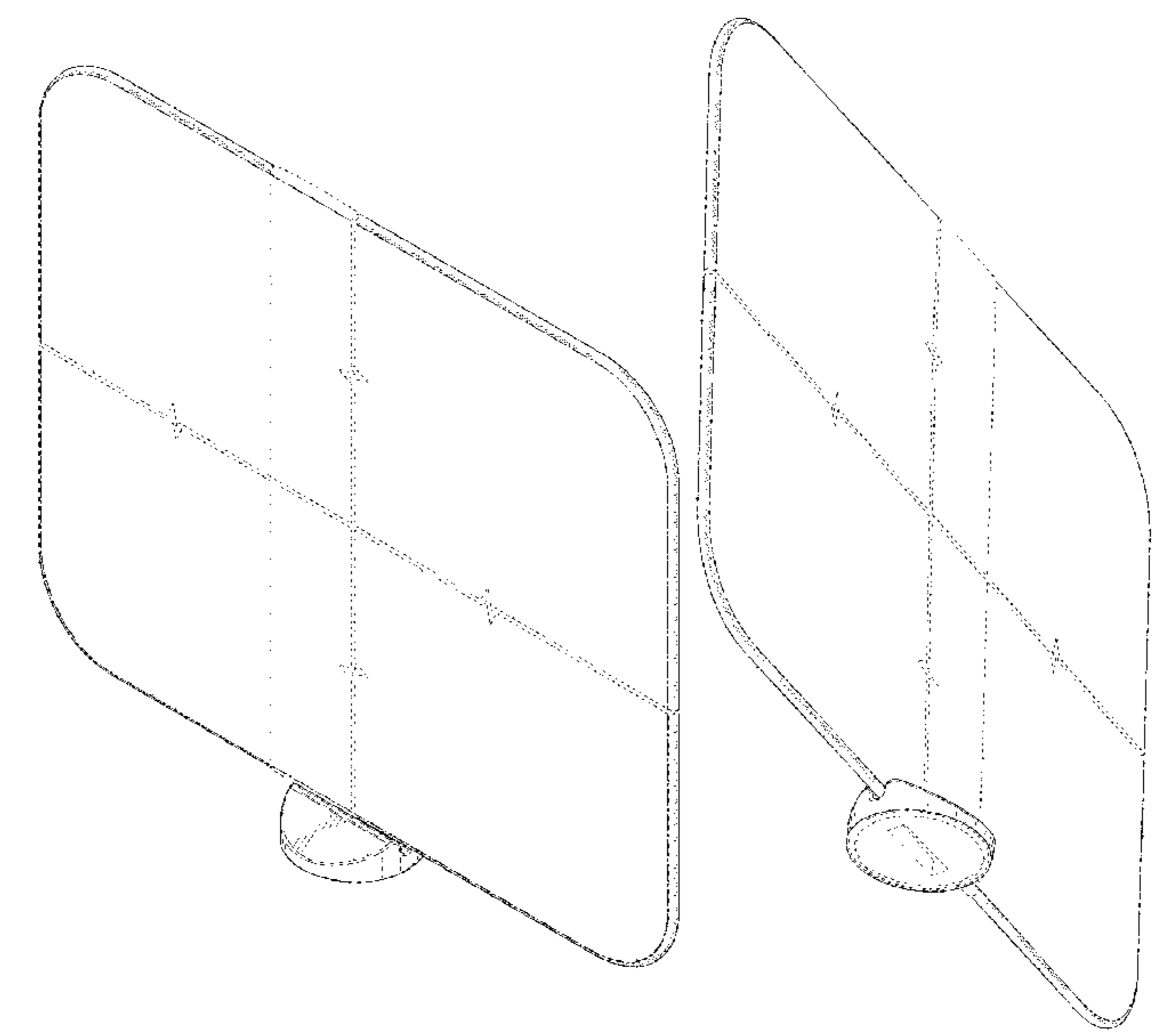
DESCRIPTION

FIG. 1 is a top-front perspective view of a screen according to our new design;
 FIG. 2 is a front elevation view thereof;
 FIG. 3 is a back elevation view thereof;
 FIG. 4 is a right side elevation view thereof;
 FIG. 5 is a left side elevation view thereof;
 FIG. 6 is a top plan view thereof;
 FIG. 7 is a bottom plan view thereof; and,
 FIG. 8 is a bottom-front perspective view thereof.

The evenly broken lines depict portions of the screen that form no part of the claimed design. The dash-dot lines represent the bounds of the claimed design and form no part of the claimed design.

The screen is shown with symbolic breaks in its length and width. The appearance of any portion of the article between the break lines forms no part of the claimed design.

1 Claim, 6 Drawing Sheets



(56)

References Cited

U.S. PATENT DOCUMENTS

D450,465	S	11/2001	Overthun et al.	
6,585,028	B2 *	7/2003	Verdicchio	A47G 5/00 160/351
6,805,327	B1 *	10/2004	Shen	A47B 91/02 248/346.07
D524,062	S	7/2006	Hosoe	
D537,258	S	2/2007	Hosoe	
D537,259	S	2/2007	Hosoe	
D577,075	S *	9/2008	Bode	D20/21
D591,062	S	4/2009	Little et al.	
D610,624	S *	2/2010	Makhija	G09F 7/18 D20/43
D699,790	S *	2/2014	Zhu	D20/43
D725,919	S *	4/2015	Hidalgo	D25/58
9,380,867	B2 *	7/2016	Plikat	A47B 21/06
D782,835	S *	4/2017	Parshad	D6/332
D796,216	S *	9/2017	Rockwell	D6/332
9,920,520	B2 *	3/2018	Udagawa	E04B 2/7405
D827,316	S *	9/2018	Rockwell	D6/332
2008/0178506	A1 *	7/2008	Garfinkle	G09F 3/16 40/658
2016/0090736	A1 *	3/2016	Hall	E04B 2/7405 160/368.1
2017/0196380	A1 *	7/2017	Chapman	A47G 5/00

* cited by examiner

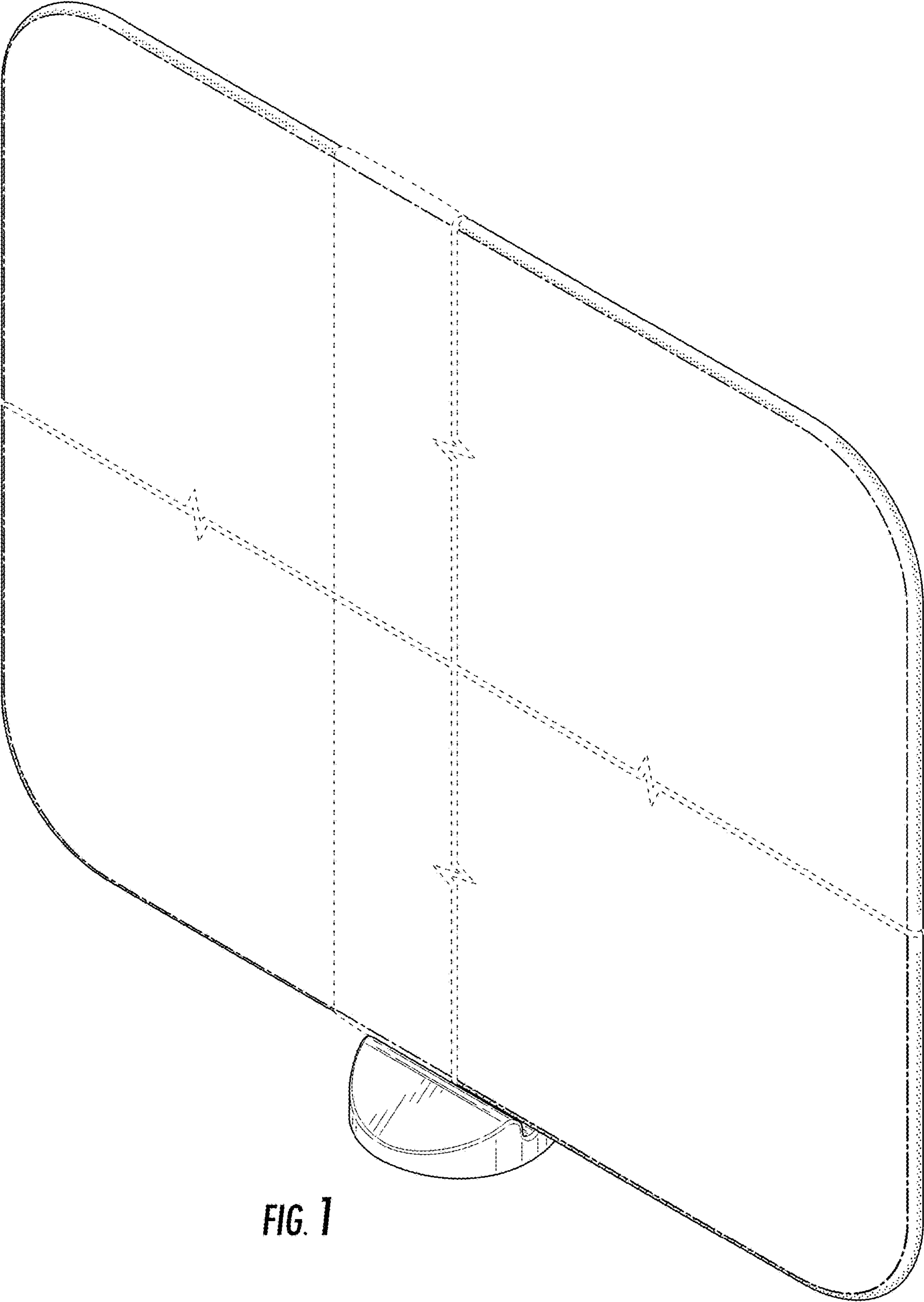


FIG. 1

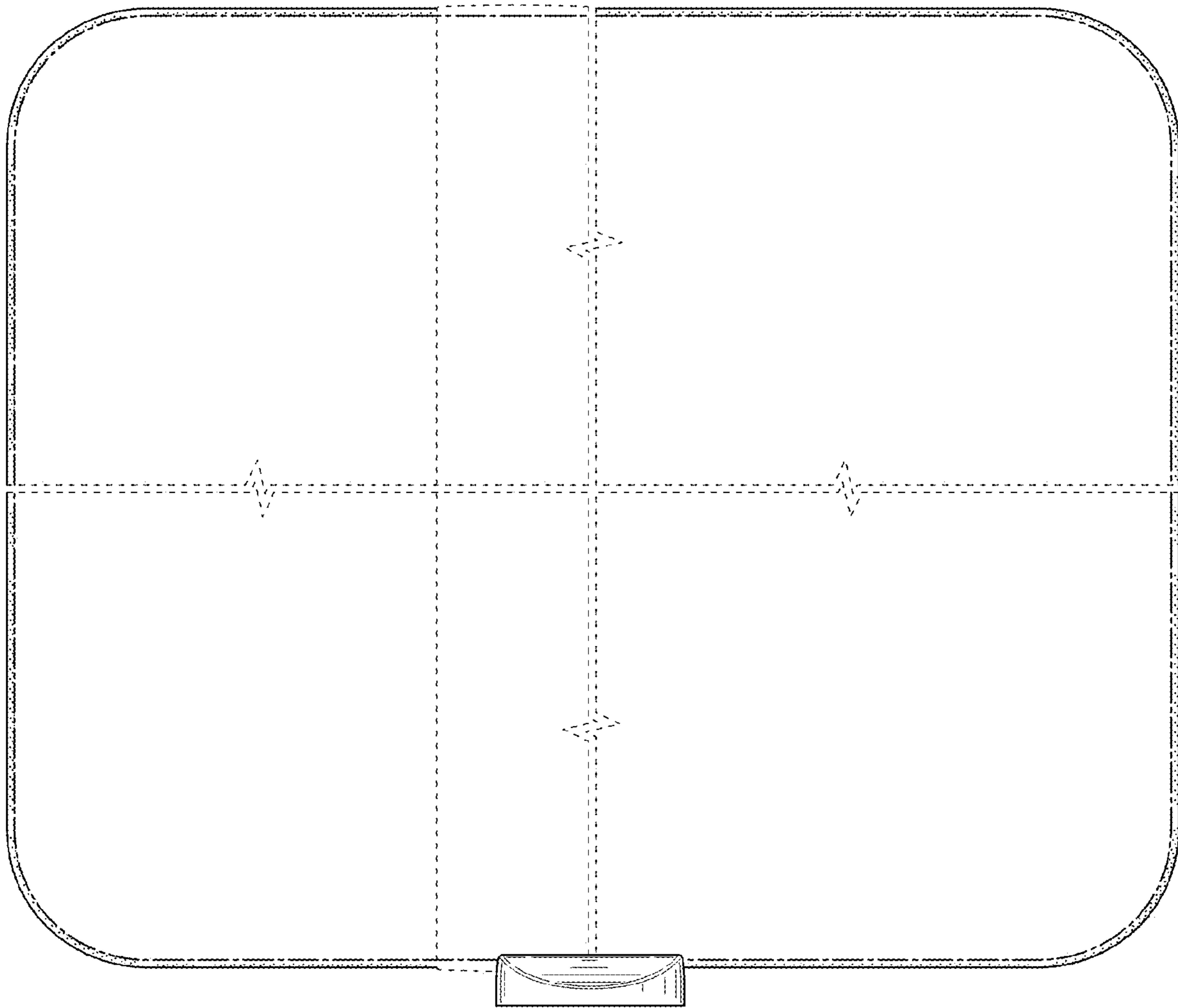


FIG. 2

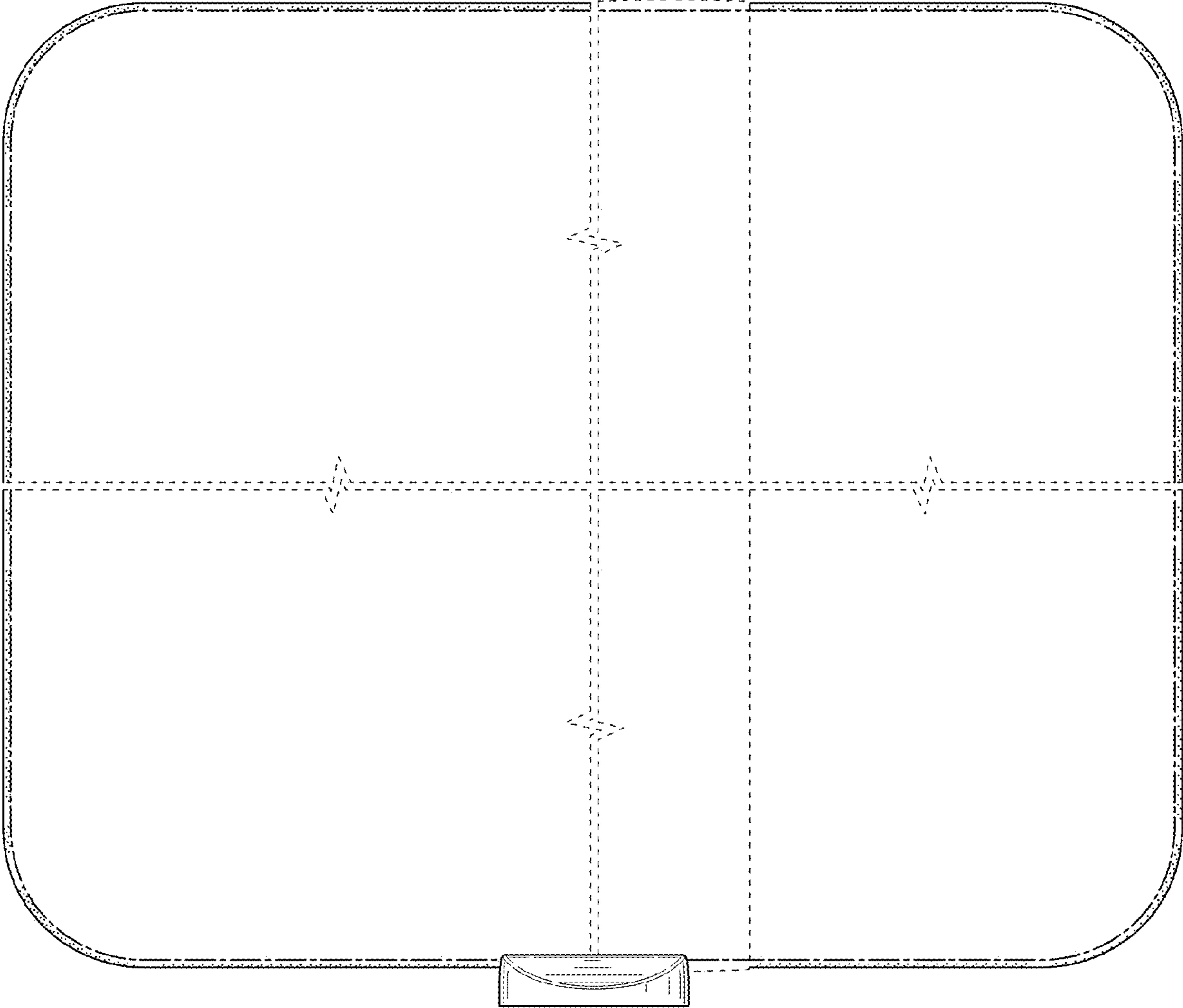


FIG. 3

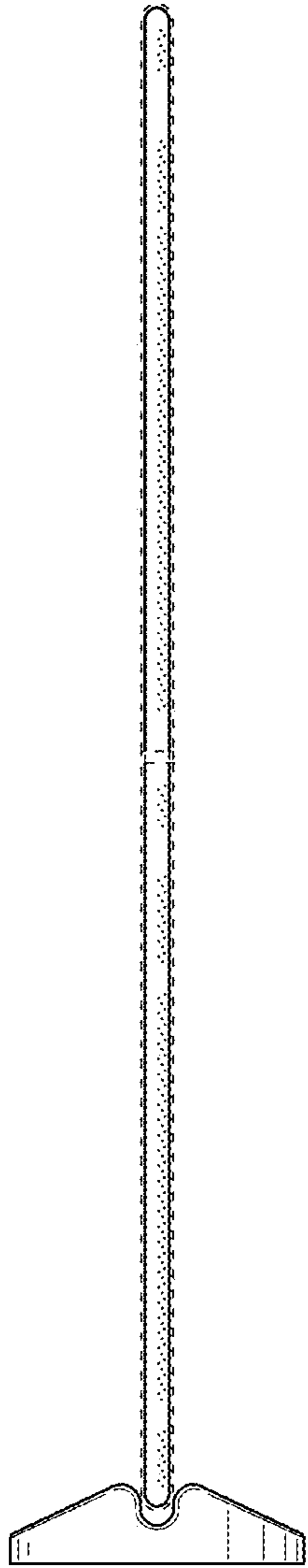


FIG. 4

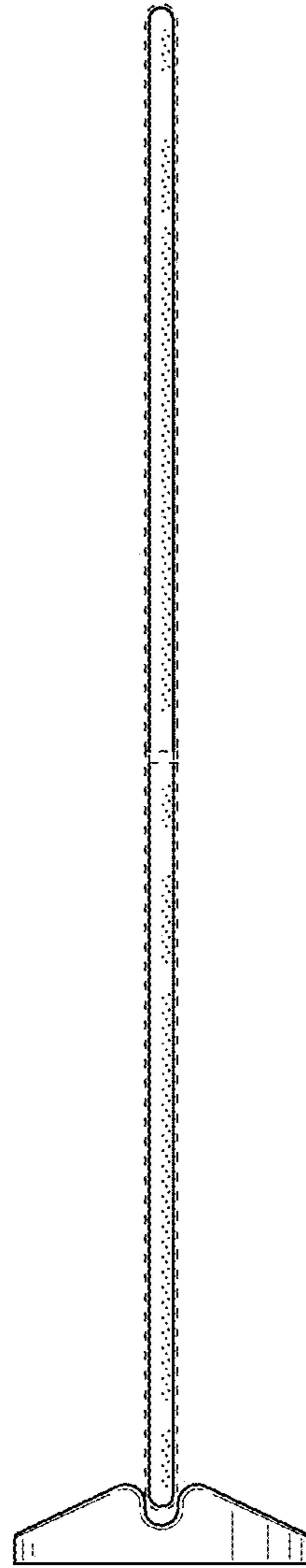


FIG. 5

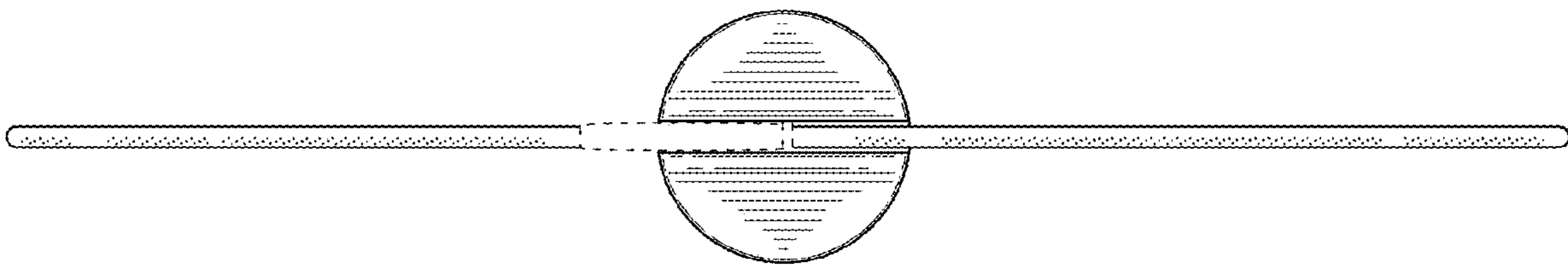


FIG. 6

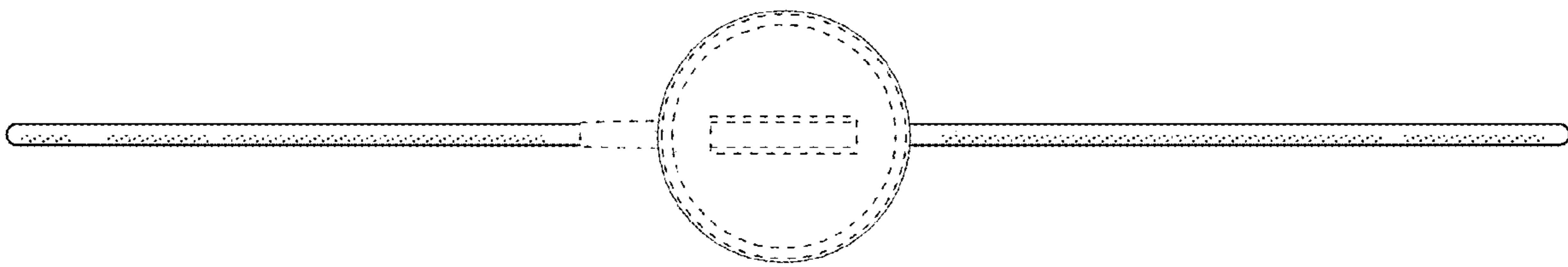


FIG. 7

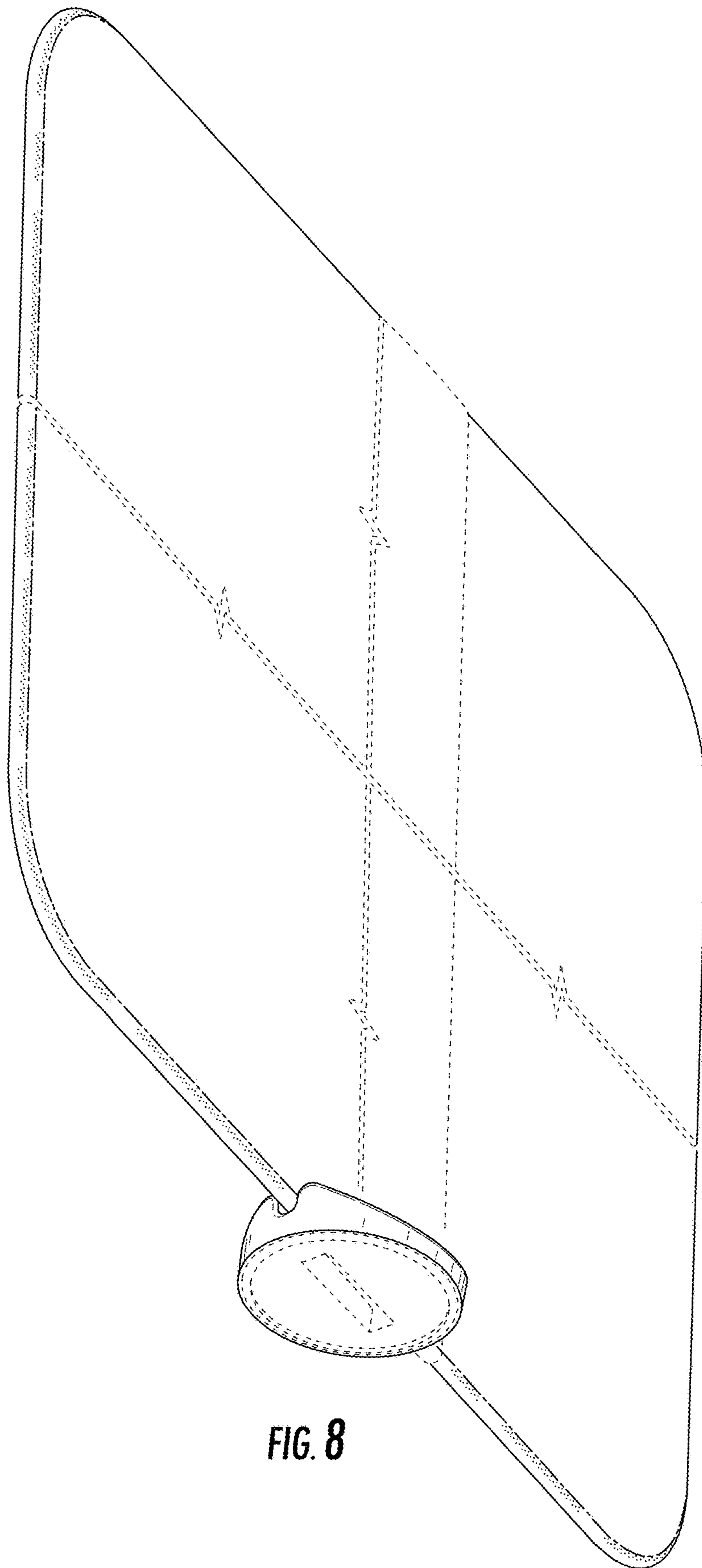


FIG. 8