



US00D870472S

(12) **United States Design Patent** (10) **Patent No.:** **US D870,472 S**  
**Kariker** (45) **Date of Patent:** **\*\* Dec. 24, 2019**

- (54) **GARMENT HANGER**
- (71) Applicant: **Walmart Apollo, LLC**, Bentonville, AR (US)
- (72) Inventor: **Kenny Kariker**, Bentonville, AR (US)
- (73) Assignee: **Walmart Apollo, LLC**, Bentonville, AR (US)
- (\*\*) Term: **15 Years**
- (21) Appl. No.: **29/649,340**
- (22) Filed: **May 29, 2018**
- (51) **LOC (12) Cl.** ..... **06-08**
- (52) **U.S. Cl.**  
USPC ..... **D6/326**
- (58) **Field of Classification Search**  
USPC ..... D6/315-328  
CPC ..... A47G 25/32; A47G 25/26; A47G 25/28;  
A47G 25/485; A47G 25/487; A47G 25/20;  
A47G 25/481; A47G 25/442; A47G 25/24;  
A47G 25/48; A47G 25/486; A47G 25/36;  
A47G 25/1407; A47G 25/30; A47G 25/14;  
A47G 25/743; A47G 25/1457  
See application file for complete search history.

6,779,695 B2	8/2004	Matkovich	
D515,321 S	2/2006	Sutton et al.	
7,188,755 B2 *	3/2007	Wu	A47G 25/485 223/91
7,556,180 B1 *	7/2009	Hansen	A47G 25/483 223/85
8,113,394 B2 *	2/2012	Ho	G09F 3/20 223/85
D655,924 S *	3/2012	Gouldson	D6/326
8,201,310 B1 *	6/2012	Abdi	A47G 25/48 24/499
8,302,826 B2	11/2012	Gouldson	
D681,352 S *	5/2013	Jones	D6/326
2004/0099700 A1 *	5/2004	Misumi	A47G 25/485 223/96
2008/0093398 A1 *	4/2008	Cordova	A47G 25/485 223/91

(Continued)

**FOREIGN PATENT DOCUMENTS**

CN 201008497 1/2008

*Primary Examiner* — Lauren R Calve

(74) *Attorney, Agent, or Firm* — Barta, Jones & Foley, P.C.

(57) **CLAIM**

The ornamental design for a garment hanger, as shown and described.

**DESCRIPTION**

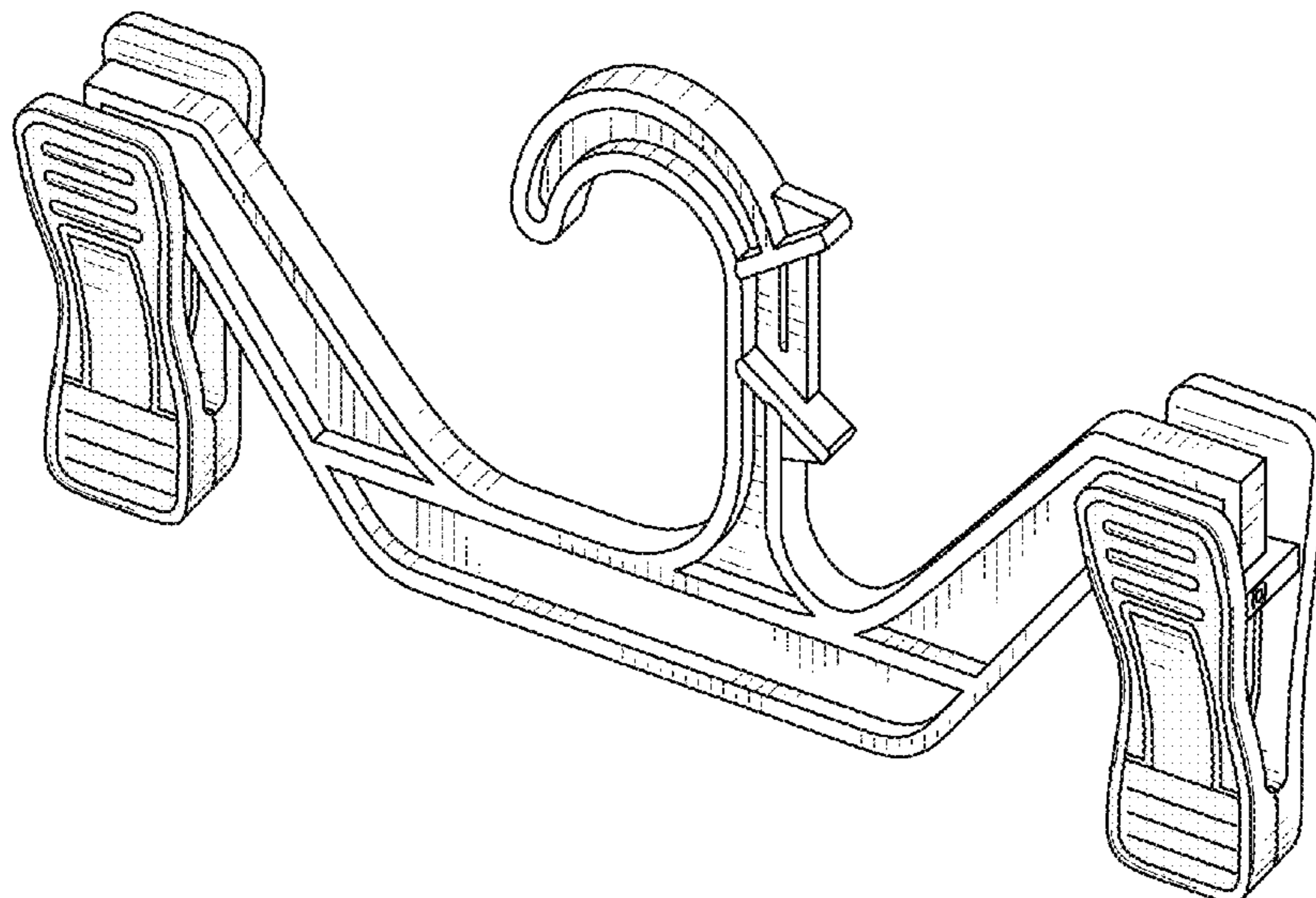
FIG. 1 is a perspective view of a garment hanger of the present invention;  
FIG. 2 is a front view thereof;  
FIG. 3 is a back view thereof;  
FIG. 4 is a left side view thereof;  
FIG. 5 is a right side view thereof;  
FIG. 6 is a top view thereof; and,  
FIG. 7 is a bottom view thereof.  
The broken lines are for illustrative purposes only and form no part of the claimed design.

**1 Claim, 4 Drawing Sheets**

(56) **References Cited**

**U.S. PATENT DOCUMENTS**

5,183,191 A *	2/1993	Garrison	A47G 25/485 223/91
5,267,678 A *	12/1993	Zuckerman	A47G 25/485 223/85
D348,987 S *	7/1994	Gouldson	D6/326
D350,236 S *	9/1994	Gouldson	D6/326
D368,376 S *	4/1996	Gouldson	D6/326
5,509,587 A	4/1996	Gouldson et al.	
D371,246 S *	7/1996	Gouldson	D6/326
D388,620 S *	1/1998	Gouldson	D6/326
5,778,575 A	7/1998	Deupree et al.	



(56)

**References Cited**

U.S. PATENT DOCUMENTS

2015/0182055 A1\* 7/2015 Gouldson ..... A47G 25/1435  
223/85

\* cited by examiner

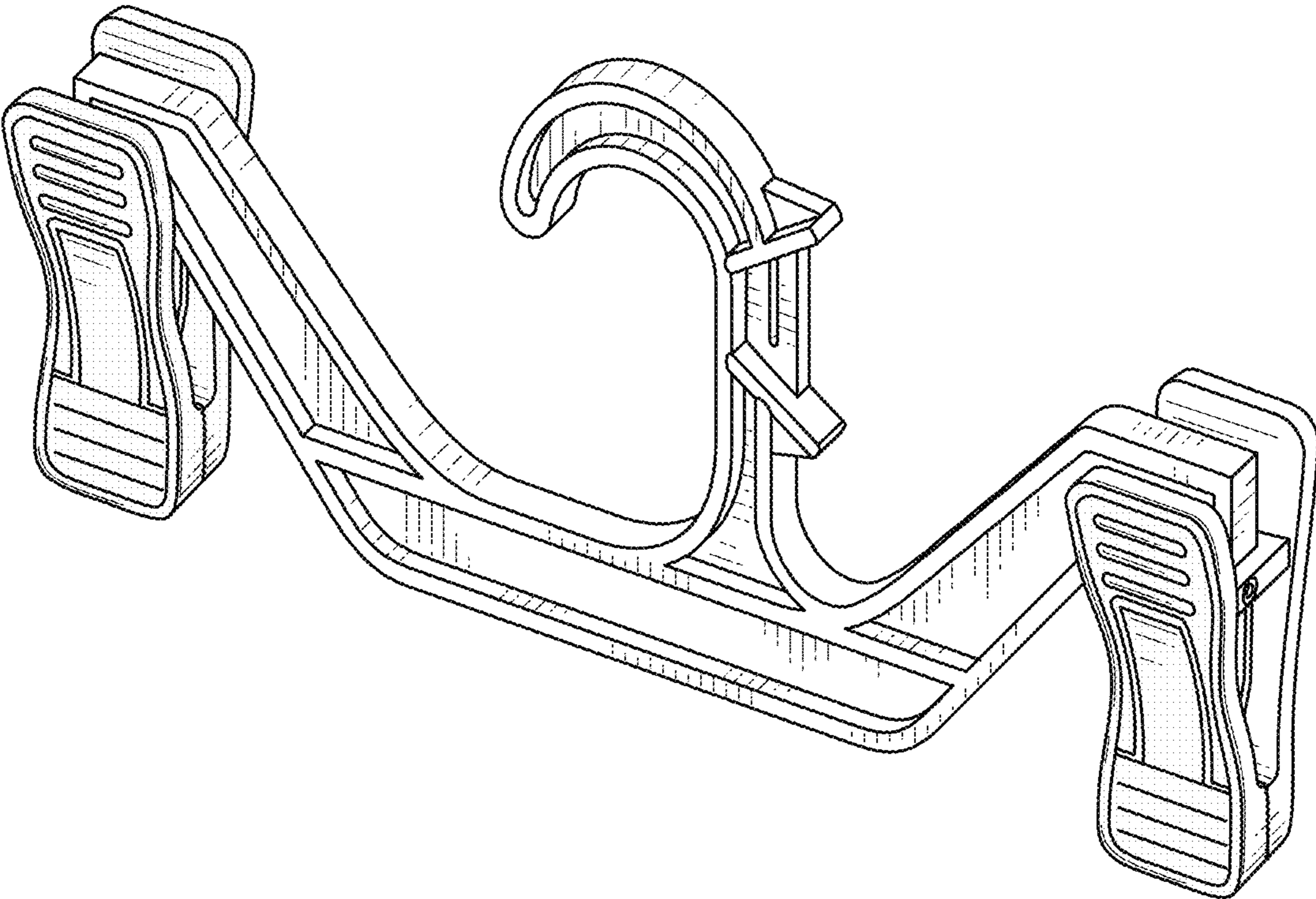


FIG. 1

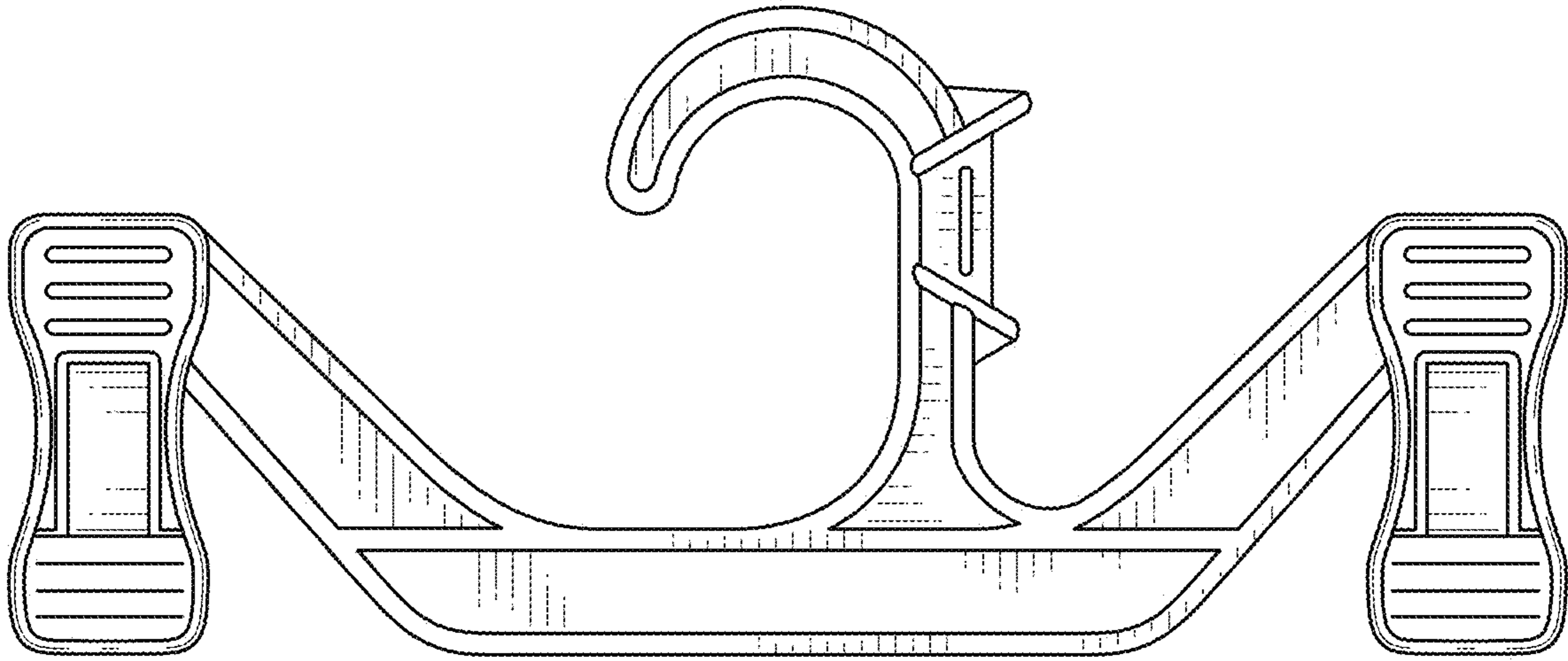


FIG. 2

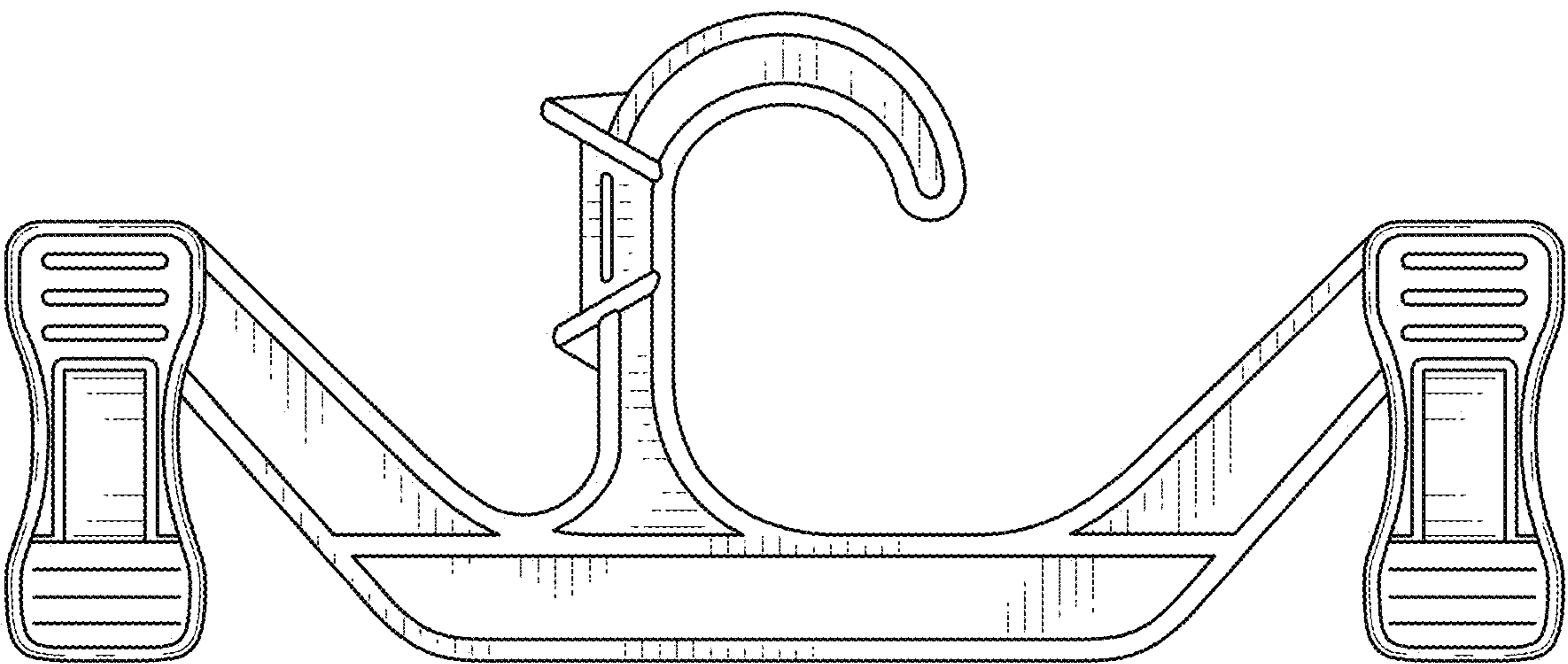


FIG. 3



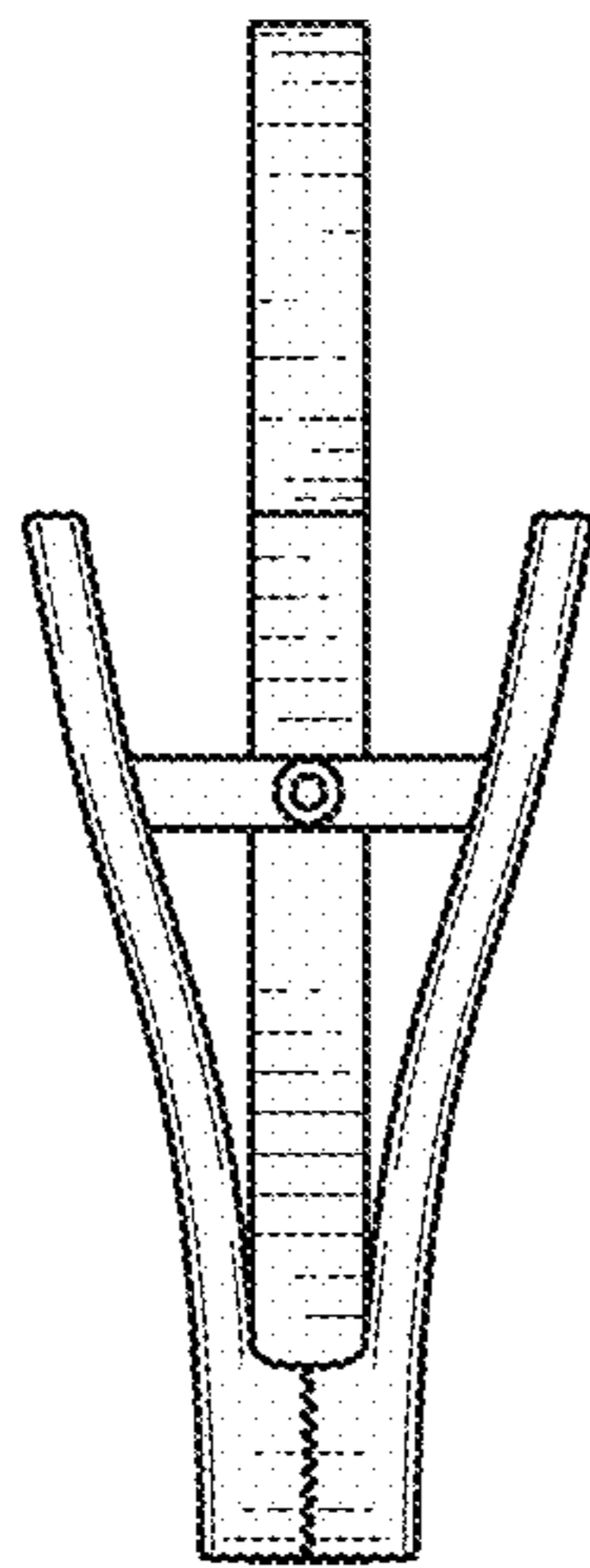


FIG. 4

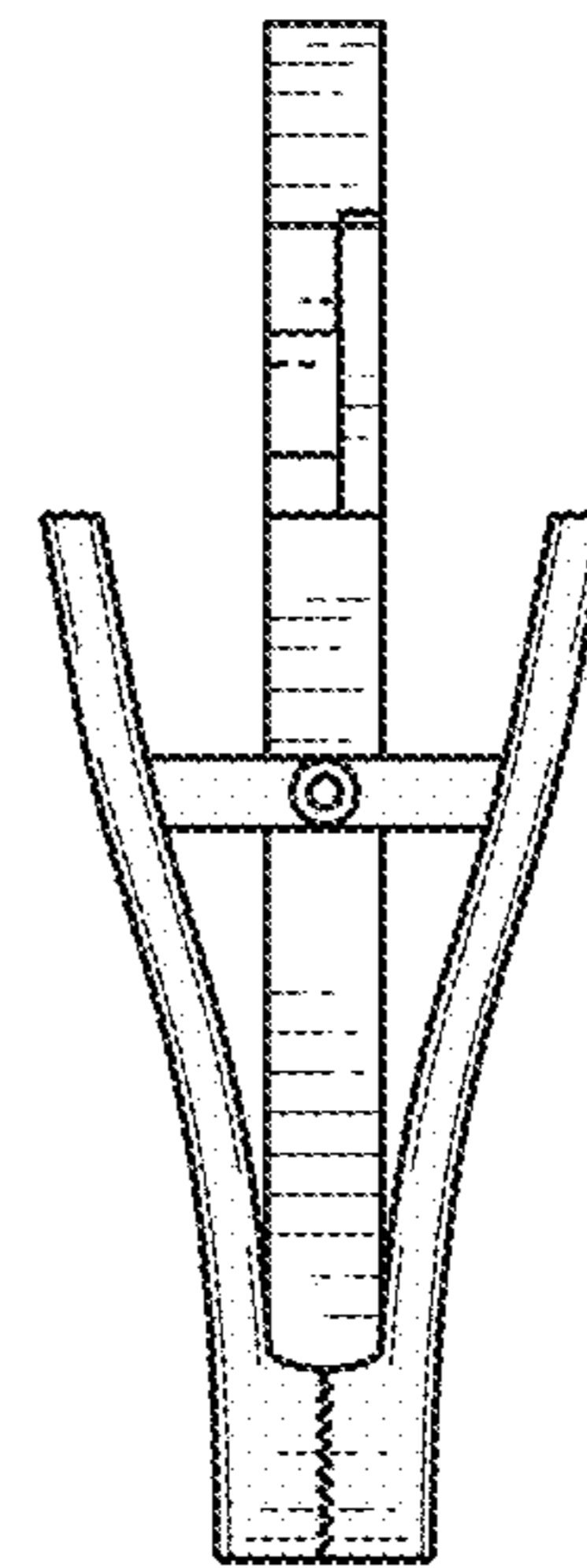


FIG. 5

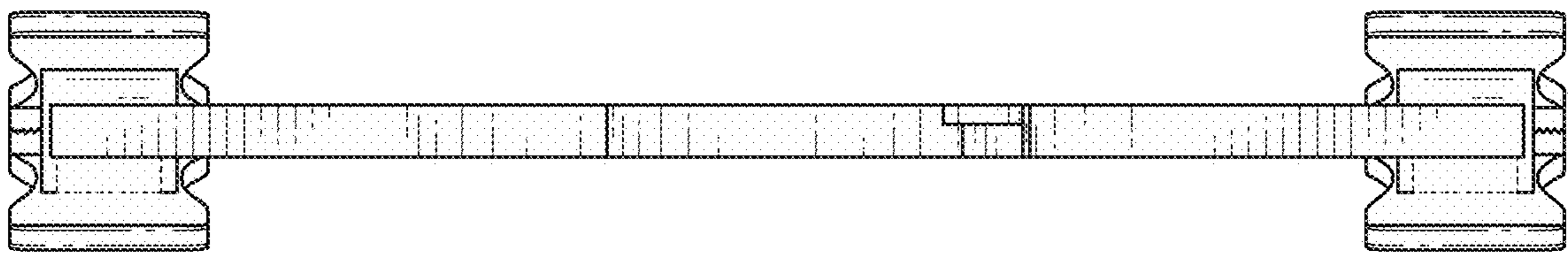


FIG. 6

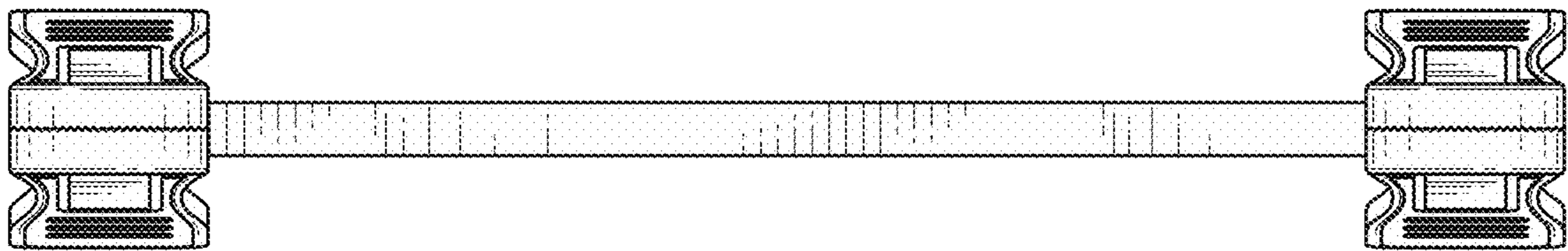


FIG. 7