



US00D870470S

(12) **United States Design Patent**
Kariker

(10) **Patent No.:** **US D870,470 S**

(45) **Date of Patent:** **** Dec. 24, 2019**

- (54) **GARMENT HANGER**
- (71) Applicant: **Walmart Apollo, LLC**, Bentonville, AR (US)
- (72) Inventor: **Kenny Kariker**, Bentonville, AR (US)
- (73) Assignee: **Walmart Apollo, LLC**, Bentonville, AR (US)
- (**) Term: **15 Years**
- (21) Appl. No.: **29/649,307**
- (22) Filed: **May 29, 2018**
- (51) **LOC (12) Cl.** **06-08**
- (52) **U.S. Cl.**
USPC **D6/326**
- (58) **Field of Classification Search**
USPC D6/315–328
CPC A47G 25/32; A47G 25/26; A47G 25/28;
A47G 25/485; A47G 25/487; A47G
25/20; A47G 25/481; A47G 25/442;
A47G 25/24; A47G 25/48; A47G 25/486;
A47G 25/36; A47G 25/1407; A47G
25/30; A47G 25/14; A47G 25/743; A47G
25/1457
See application file for complete search history.

6,779,695	B2	8/2004	Matkovich	
D515,321	S	2/2006	Sutton et al.	
7,188,755	B2 *	3/2007	Wu	A47G 25/485 223/91
7,556,180	B1 *	7/2009	Hansen	A47G 25/483 223/85
8,113,394	B2 *	2/2012	Ho	G09F 3/20 223/85
D655,924	S *	3/2012	Gouldson	D6/326
8,201,310	B1 *	6/2012	Abdi	A47G 25/48 24/499
8,302,826	B2	11/2012	Gouldson	
D681,352	S *	5/2013	Jones	D6/326
2004/0099700	A1 *	5/2004	Misumi	A47G 25/485 223/96
2008/0093398	A1 *	4/2008	Cordova	A47G 25/485 223/91
2015/0182055	A1 *	7/2015	Gouldson	A47G 25/1435 223/85

FOREIGN PATENT DOCUMENTS

CN 201008497 1/2008

* cited by examiner

Primary Examiner — Lauren R Calve

(57) **CLAIM**

The ornamental design for a garment hanger, as shown and described.

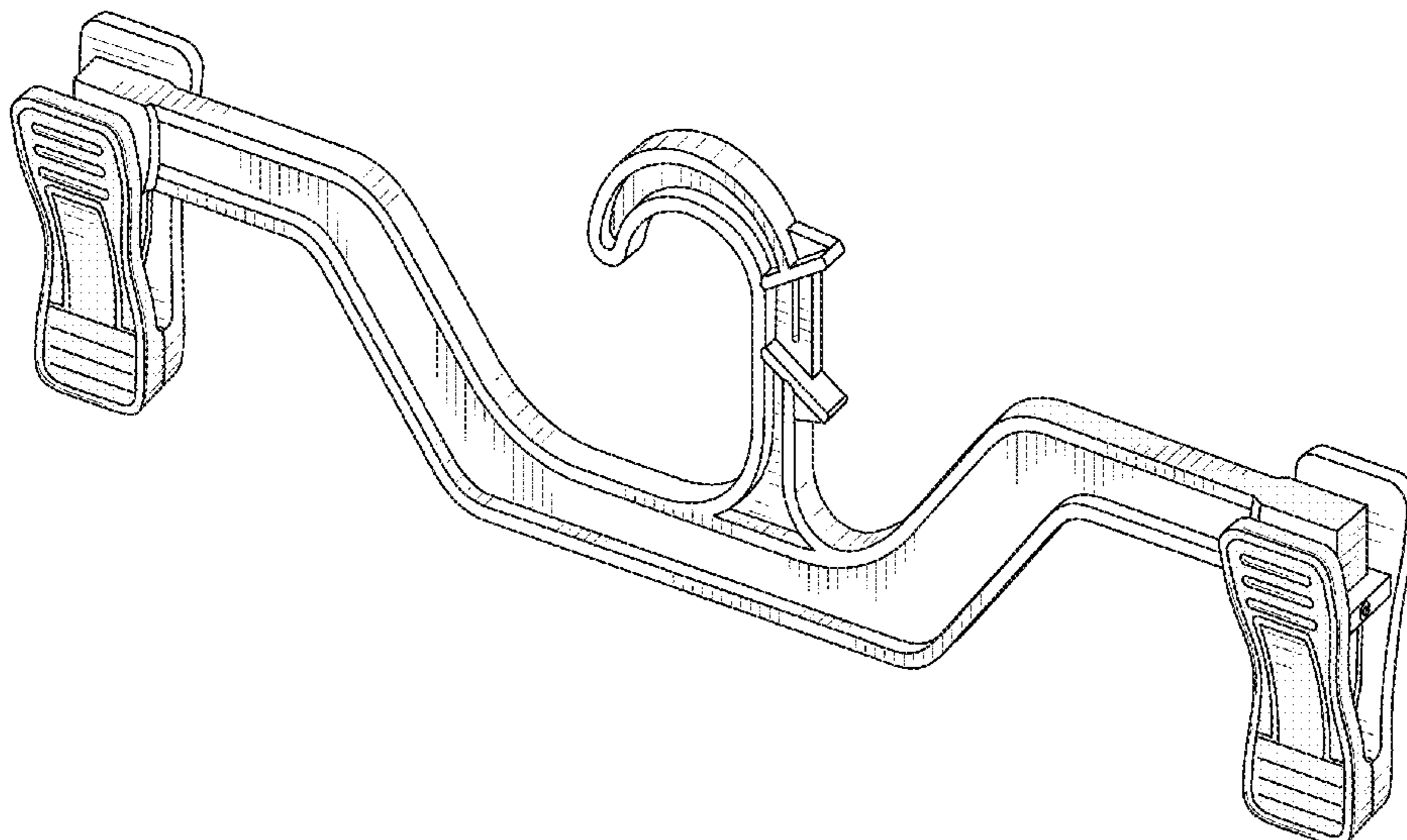
DESCRIPTION

FIG. 1 is a perspective view of a garment hanger of the present invention;
 FIG. 2 is a front view thereof;
 FIG. 3 is a back view thereof;
 FIG. 4 is a left side view thereof;
 FIG. 5 is a right side view thereof;
 FIG. 6 is a top view thereof; and,
 FIG. 7 is a bottom view thereof.
 The broken lines are for illustrative purposes only and form no part of the claimed design.

1 Claim, 4 Drawing Sheets

(56) **References Cited**
U.S. PATENT DOCUMENTS

5,183,191	A *	2/1993	Garrison	A47G 25/485 223/91
5,267,678	A *	12/1993	Zuckerman	A47G 25/485 223/85
D348,987	S *	7/1994	Gouldson	D6/326
D350,236	S *	9/1994	Gouldson	D6/326
D368,376	S *	4/1996	Gouldson	D6/326
5,509,587	A	4/1996	Gouldson et al.	
D371,246	S *	7/1996	Gouldson	D6/326
D388,620	S *	1/1998	Gouldson	D6/326
5,778,575	A	7/1998	Deupree et al.	



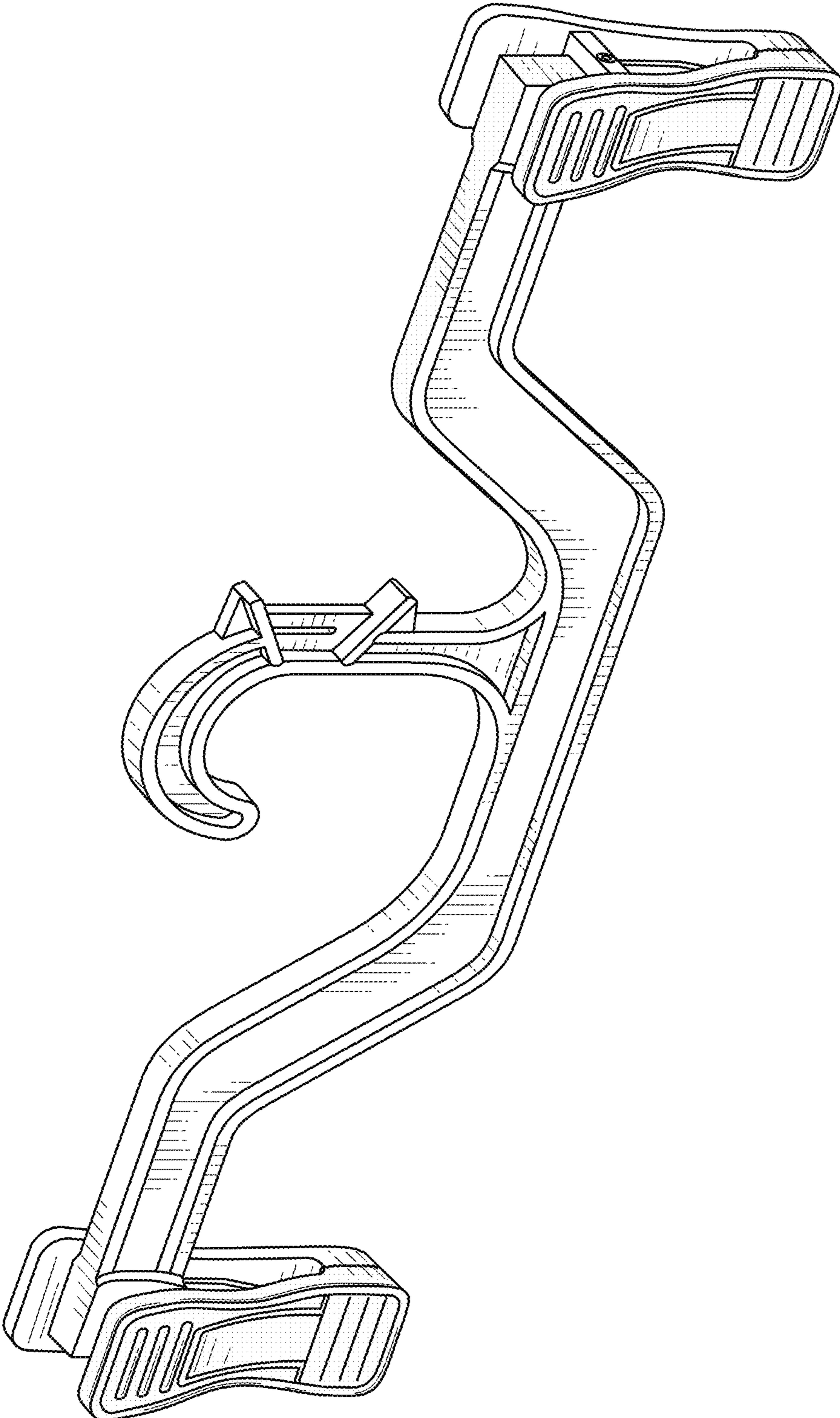


FIG. 1

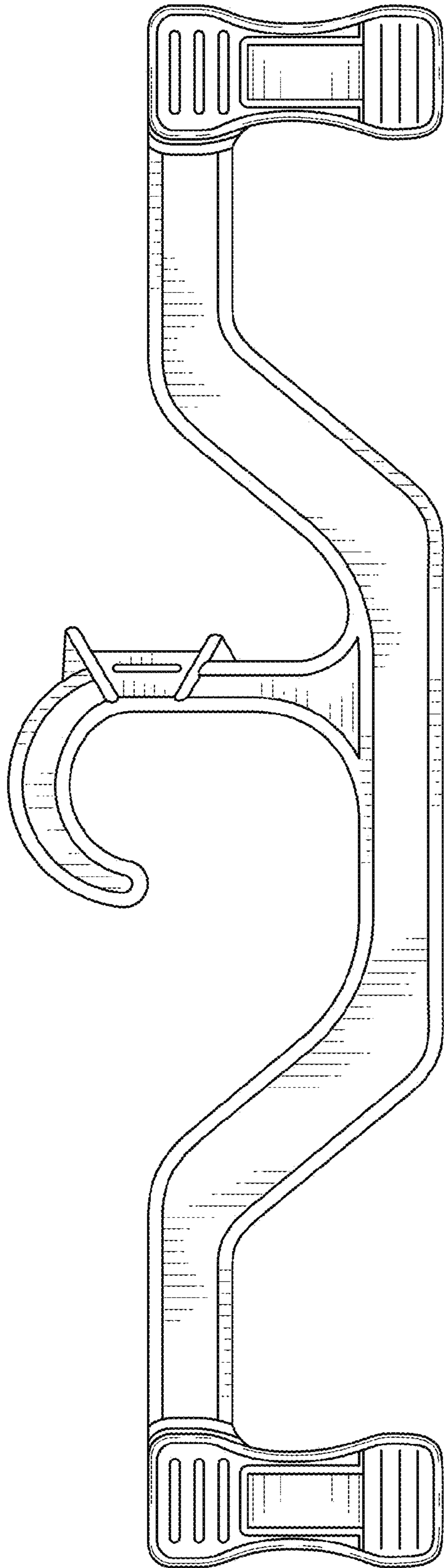


FIG. 2

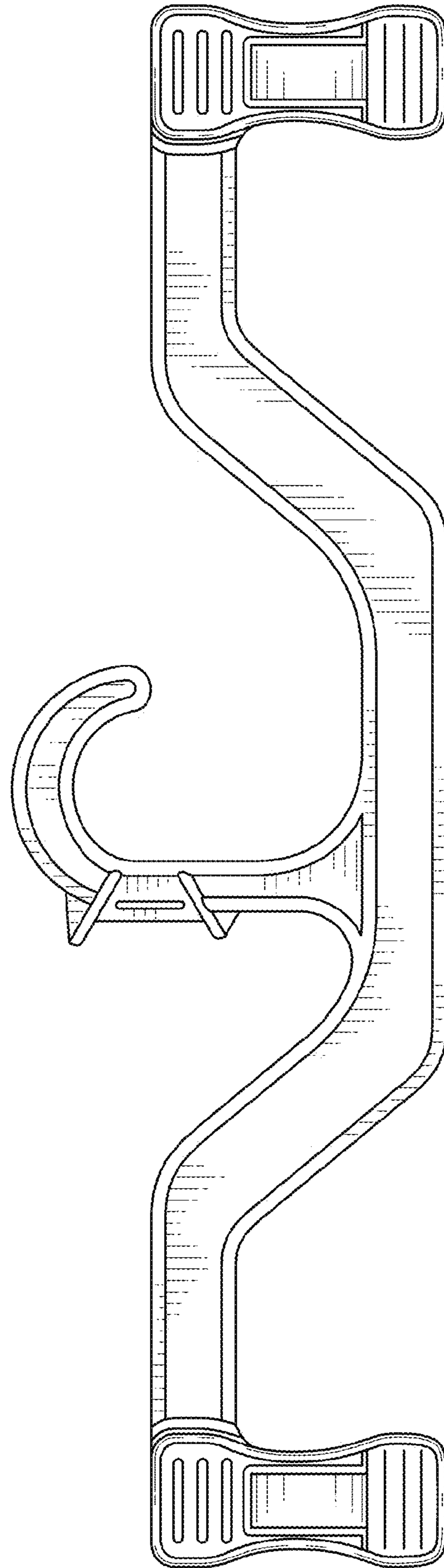


FIG. 3

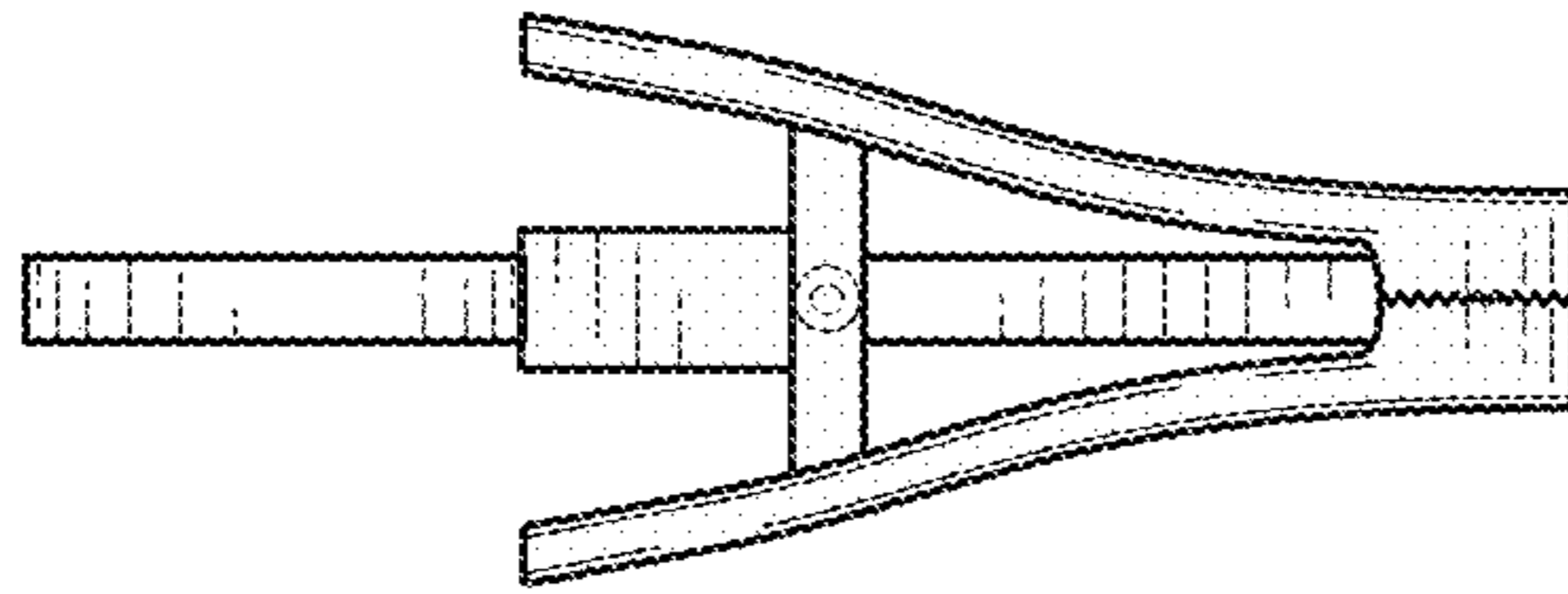


FIG. 5

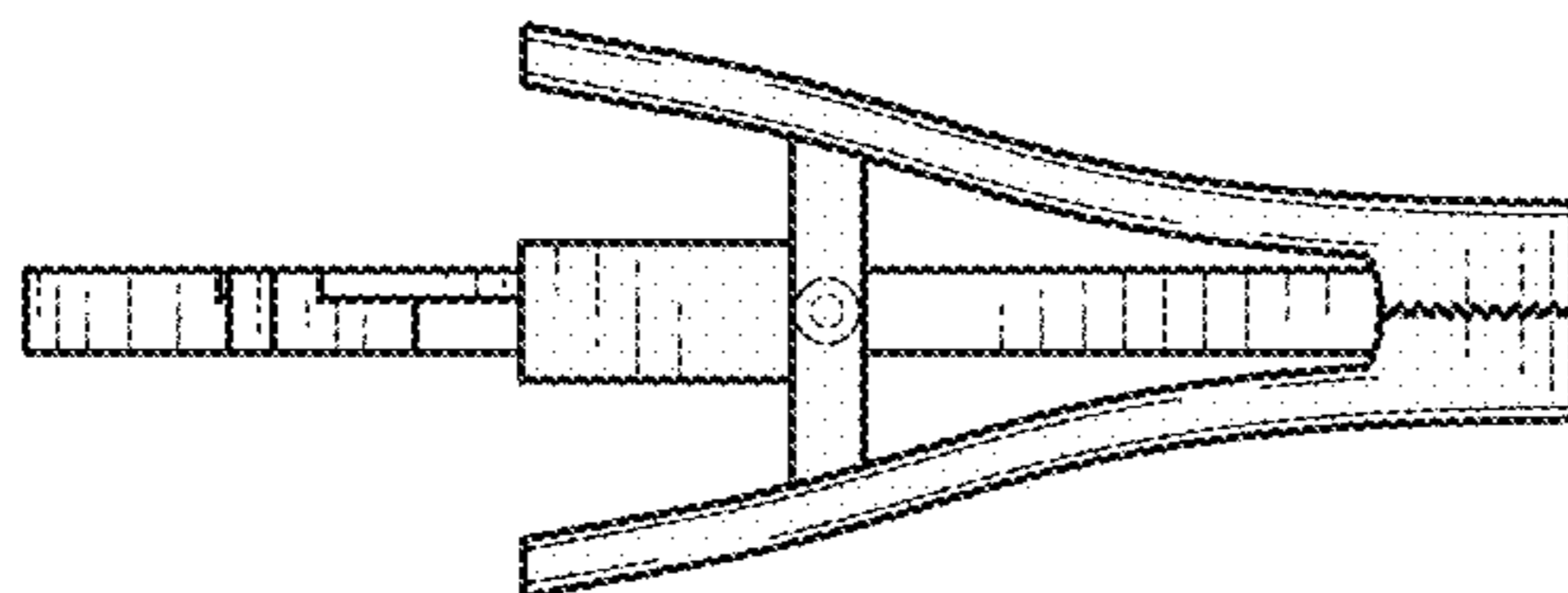


FIG. 4

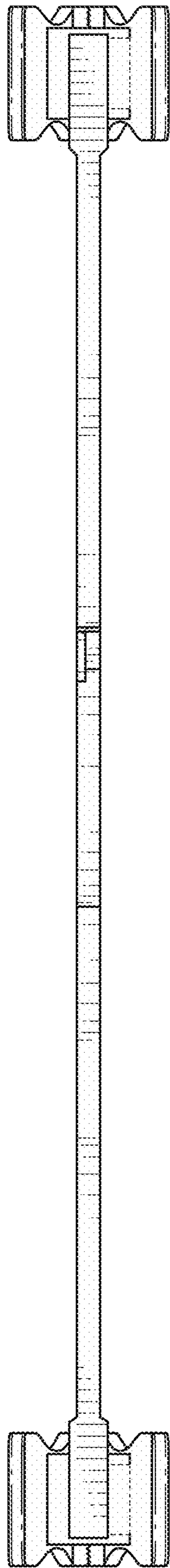


FIG. 6

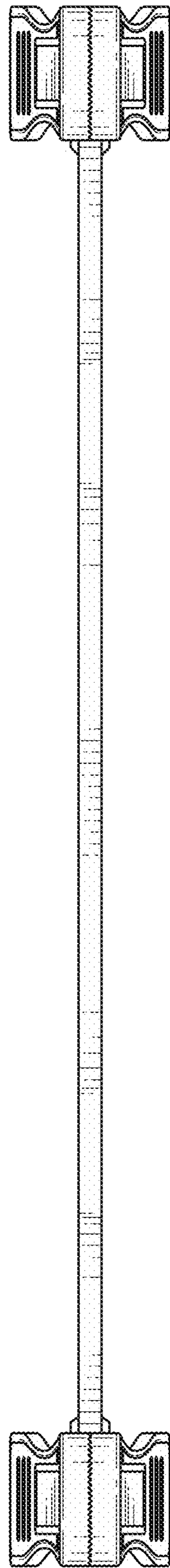


FIG. 7