



US00D870469S

(12) **United States Design Patent** (10) **Patent No.:** **US D870,469 S**
Mauri et al. (45) **Date of Patent:** **** Dec. 24, 2019**

(54) **COLLAPSIBLE HANGER** 5,085,357 A * 2/1992 Chen A47G 25/4038
 223/85
 (71) Applicants: **Susana Mauri**, Miami, FL (US); 5,383,584 A 1/1995 Adams
Enrique Peña Rodriguez, Miami, FL 7,237,702 B2 7/2007 Landis et al.
 (US) D630,445 S * 1/2011 Crawford D6/319
 D631,672 S * 2/2011 Kaleta D6/318
 D650,176 S * 12/2011 Gadsby D6/315
 (72) Inventors: **Susana Mauri**, Miami, FL (US); D651,813 S * 1/2012 Bischoff D6/319
Enrique Peña Rodriguez, Miami, FL 8,256,649 B2 * 9/2012 Camp A47G 25/32
 (US) 223/85
 2002/0056735 A1 * 5/2002 Lam A47G 25/443
 223/94
 (**) Term: **15 Years** 2009/0206114 A1 * 8/2009 Scicluna A47G 25/32
 223/91

(21) Appl. No.: **29/674,015**

(22) Filed: **Dec. 19, 2018**

(51) **LOC (12) Cl.** **06-08**

(52) **U.S. Cl.**
USPC **D6/319**

(58) **Field of Classification Search**
 USPC D6/315-328
 CPC A47G 25/28; A47G 25/743; A47G 25/26;
 A47G 25/4023; A47G 25/20; A47G
 25/442; A47G 25/30; A47G 25/36; A47G
 25/24; A47G 25/14; A47G 25/18; A47G
 25/40; A47G 25/403; A47G 25/52; A47G
 25/34; A47G 25/44
 See application file for complete search history.

(56) **References Cited**

U.S. PATENT DOCUMENTS

2,829,810 A * 4/1958 Wilson A47G 25/70
 223/88
 4,117,960 A 10/1978 Bengsch et al.
 4,673,116 A 6/1987 Keller
 4,801,057 A * 1/1989 Heston A47G 25/30
 223/92
 4,948,019 A 8/1990 Rodum

* cited by examiner

Primary Examiner — Lauren R Calve
 (74) *Attorney, Agent, or Firm* — Global Intellectual
 Property Agency, LLC; Daniel Boudwin

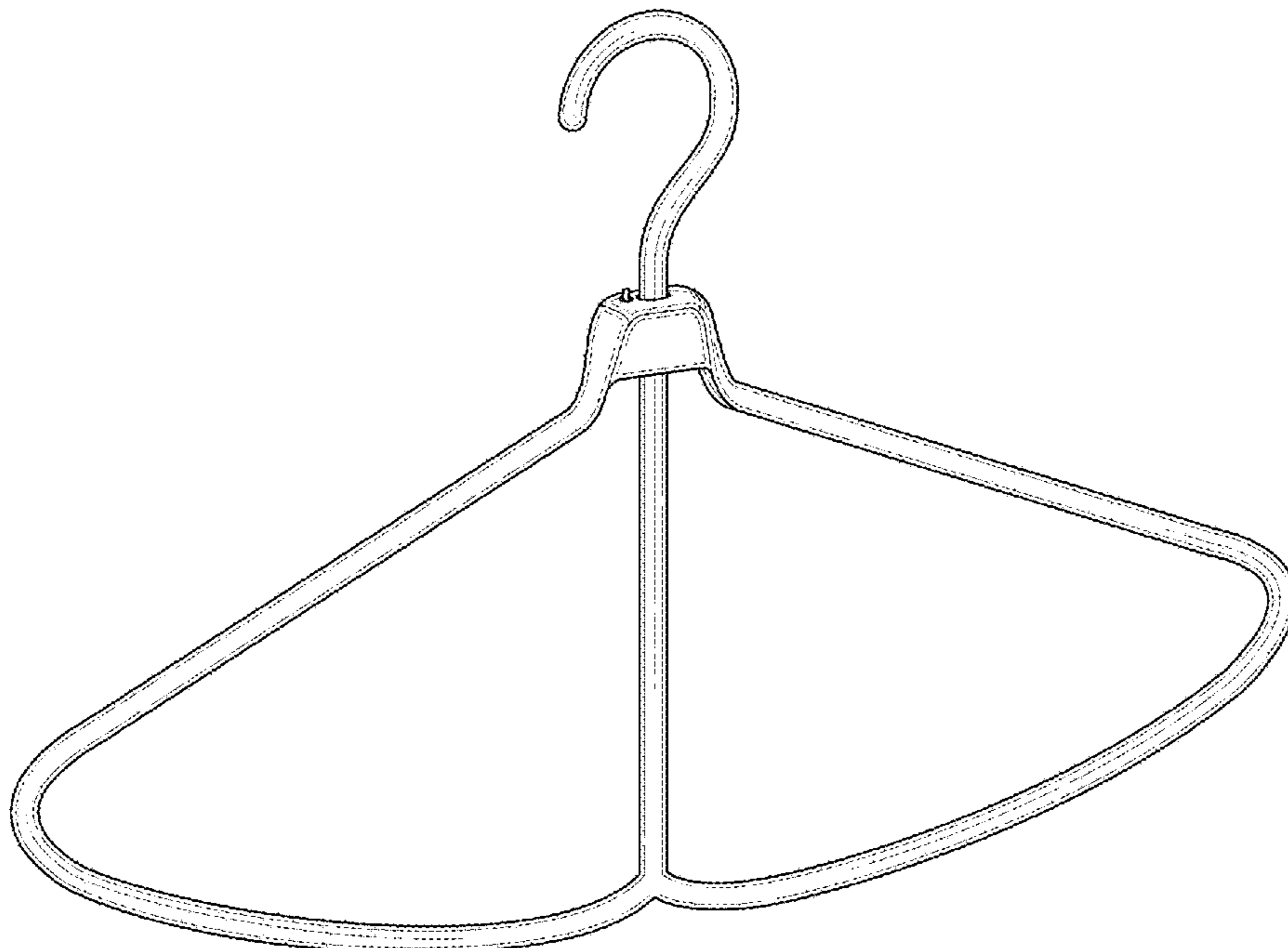
(57) **CLAIM**

The ornamental design for a collapsible hanger, as shown and described.

DESCRIPTION

FIG. 1 shows a perspective view of a collapsible hanger.
 FIG. 2 shows a left side view of the collapsible hanger.
 FIG. 3 shows a right side view of the collapsible hanger.
 FIG. 4 shows a rear view of the collapsible hanger.
 FIG. 5 shows a front view of the collapsible hanger.
 FIG. 6 shows a top view of the collapsible hanger.
 FIG. 7 shows a bottom view of the collapsible hanger; and,
 FIG. 8 shows a sectional view of the collapsible hanger
 according to line 8-8 shown in FIG. 6.
 The shade lines in the Figures show contour and not surface
 ornamentation.

1 Claim, 6 Drawing Sheets



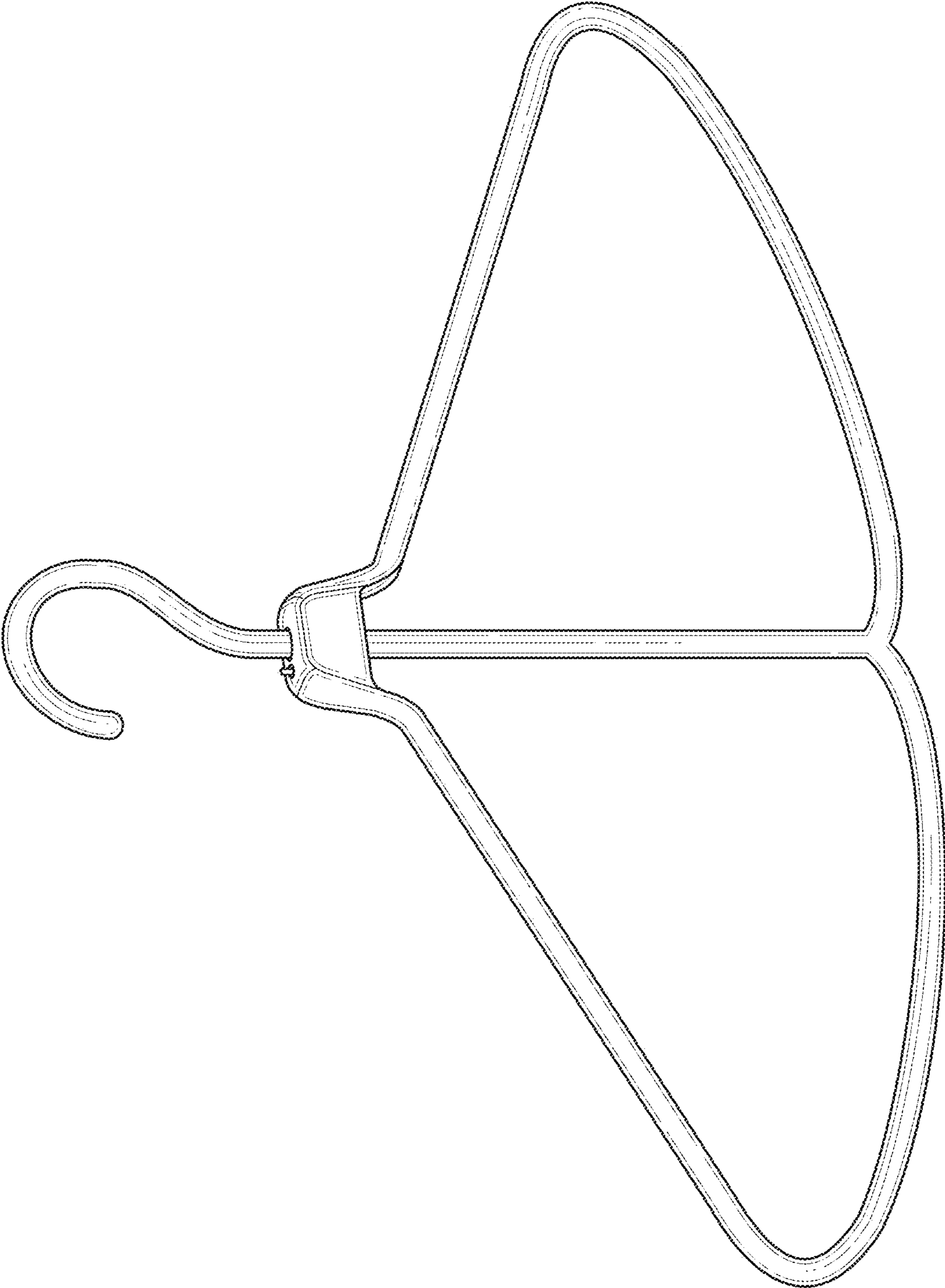


FIG. 1

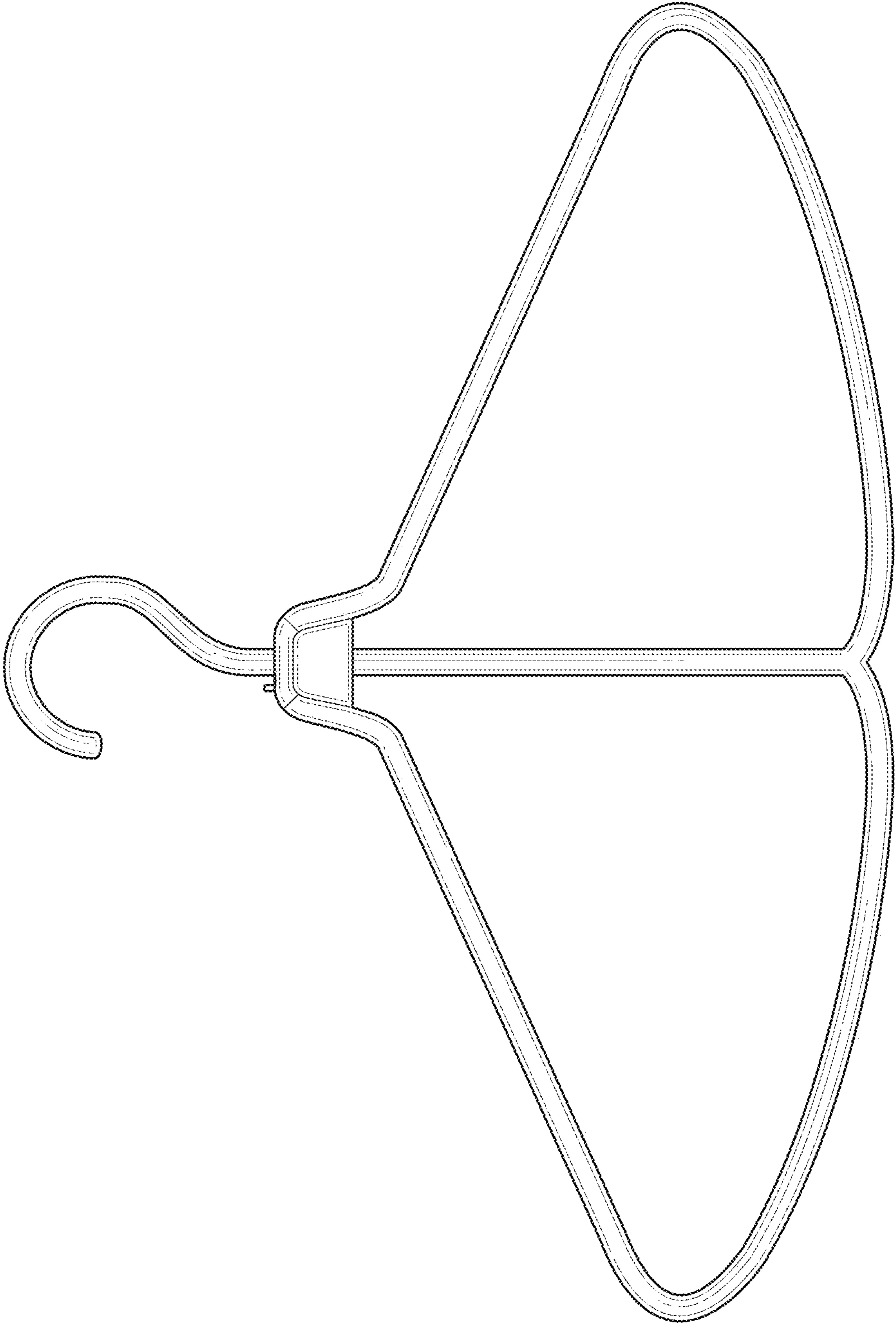


FIG. 2

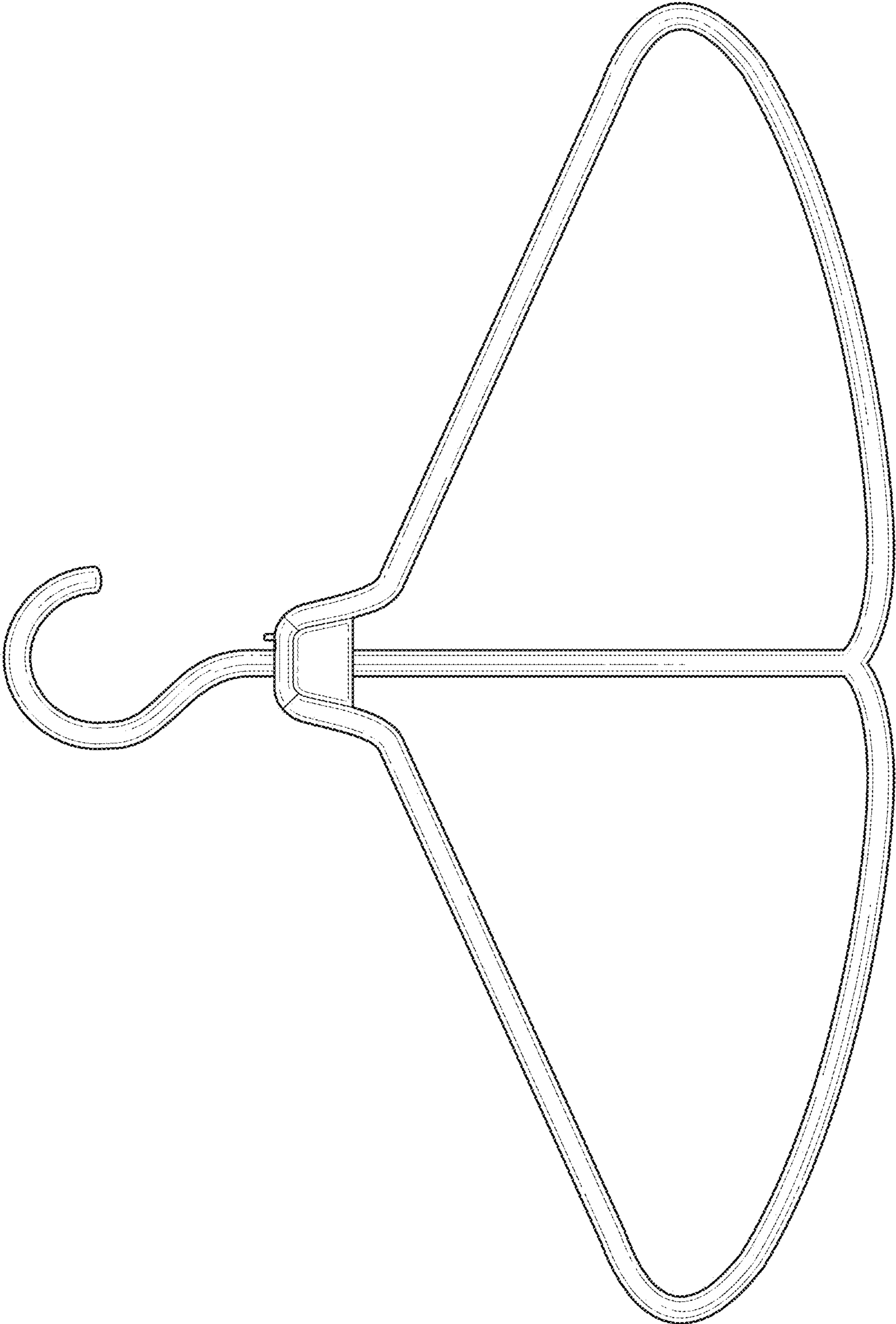


FIG. 3

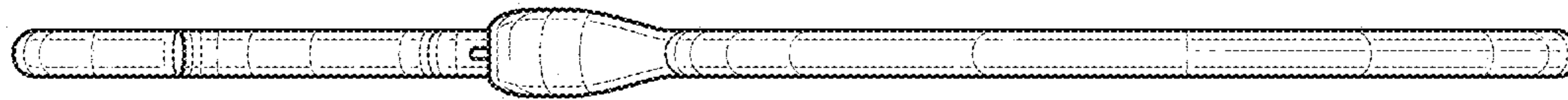


FIG. 5

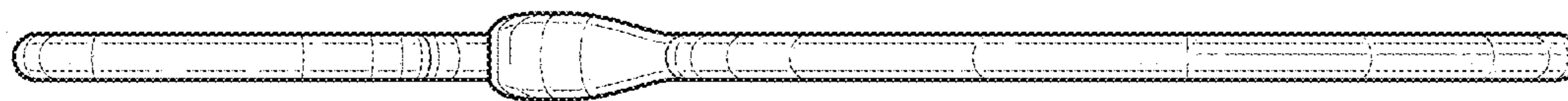


FIG. 4

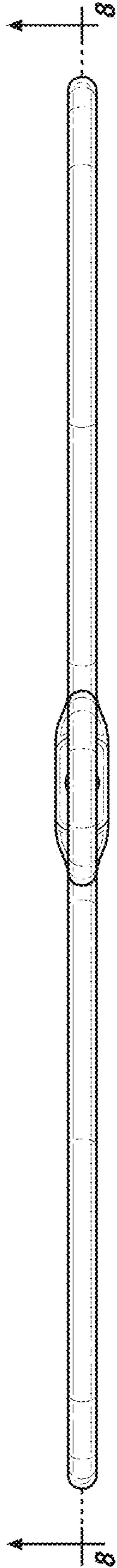


FIG. 6



FIG. 7

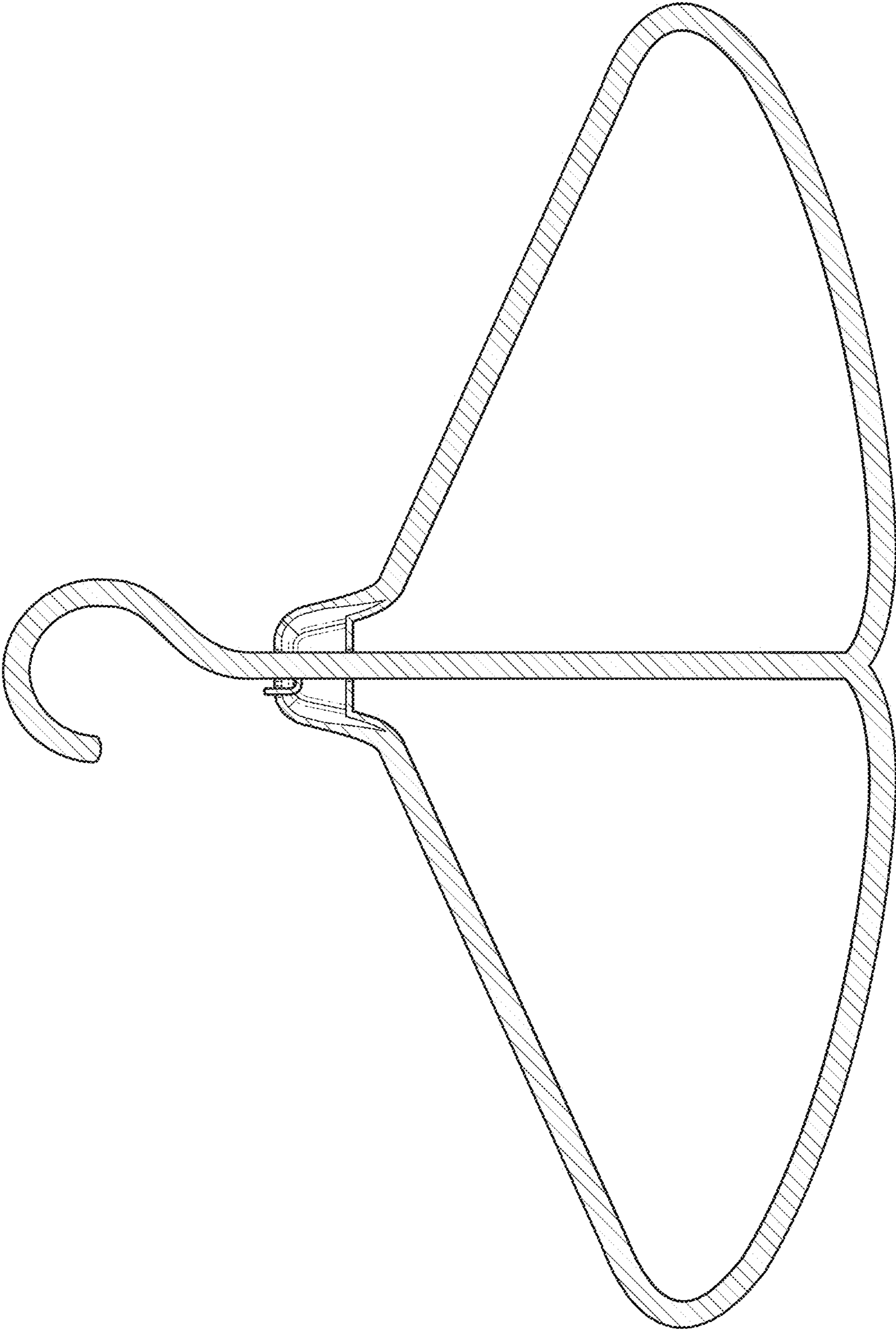


FIG. 8