



US00D870467S

(12) **United States Design Patent** (10) **Patent No.:** **US D870,467 S**
Kennard et al. (45) **Date of Patent:** **** Dec. 24, 2019**

(54) **PICTURE FRAME SUPPORT**

(56) **References Cited**

(71) Applicants: **Bradford Kennard**, Nashville, TN
(US); **Jennifer Kennard**, Nashville, TN
(US)

U.S. PATENT DOCUMENTS

| | | | | |
|--------------|---------|----------|-------|--------|
| D451,684 S * | 12/2001 | Vincent | | D6/301 |
| D489,412 S * | 5/2004 | Hsu | | D19/75 |
| D492,965 S * | 7/2004 | Hsu | | D19/65 |
| D555,962 S * | 11/2007 | Goth | | D6/570 |
| D806,437 S * | 1/2018 | Davidson | | D6/553 |

(72) Inventors: **Bradford Kennard**, Nashville, TN
(US); **Jennifer Kennard**, Nashville, TN
(US)

* cited by examiner

(**) Term: **15 Years**

Primary Examiner — Wan Laymon

Assistant Examiner — Mark Booker

(21) Appl. No.: **29/664,568**

(74) *Attorney, Agent, or Firm* — PatentFile, LLC; Bradley C. Fach

(22) Filed: **Sep. 26, 2018**

(51) **LOC (12) Cl.** **06-07**

(57) **CLAIM**

(52) **U.S. Cl.**
USPC **D6/301**

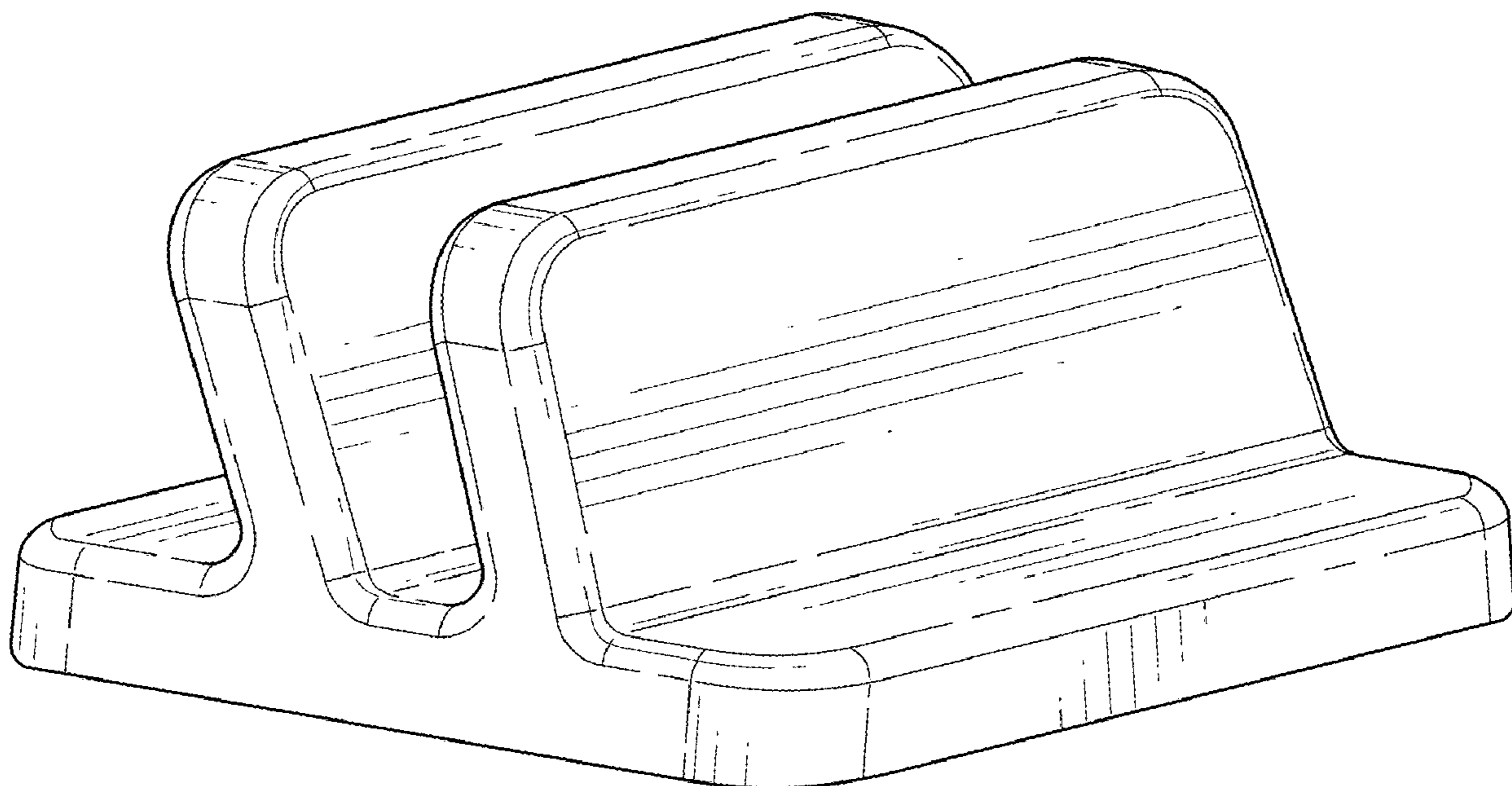
The ornamental design for a picture frame support, as shown and described.

(58) **Field of Classification Search**
USPC D6/553, 300-304, 305-314, 470, 512;
D19/90, 52, 65, 75, 78, 86, 88, 91, 92,
D19/95, 100; D3/206, 303; D20/42;
40/597, 661, 626, 642.02, 700, 711, 714,
40/720-722, 724, 735, 744, 745,
40/748-752, 757, 761, 765, 780, 790,
40/798, 799; 248/441.1, 441.2, 445, 450,
248/451, 452, 453, 460, 467, 469, 473,
248/489, 910; 281/44; D8/373;
D21/484
CPC A47G 1/24; A47G 25/0614; G09F 1/10
See application file for complete search history.

DESCRIPTION

FIG. 1 is a perspective view showing the new, original, and ornamental design of a picture frame support;
FIG. 2 is a front elevation view thereof;
FIG. 3 is a rear elevation view thereof;
FIG. 4 is a right elevation view thereof;
FIG. 5 is a left elevation view thereof;
FIG. 6. is a top plan view thereof; and,
FIG. 7 is a bottom plan view thereof.

1 Claim, 4 Drawing Sheets



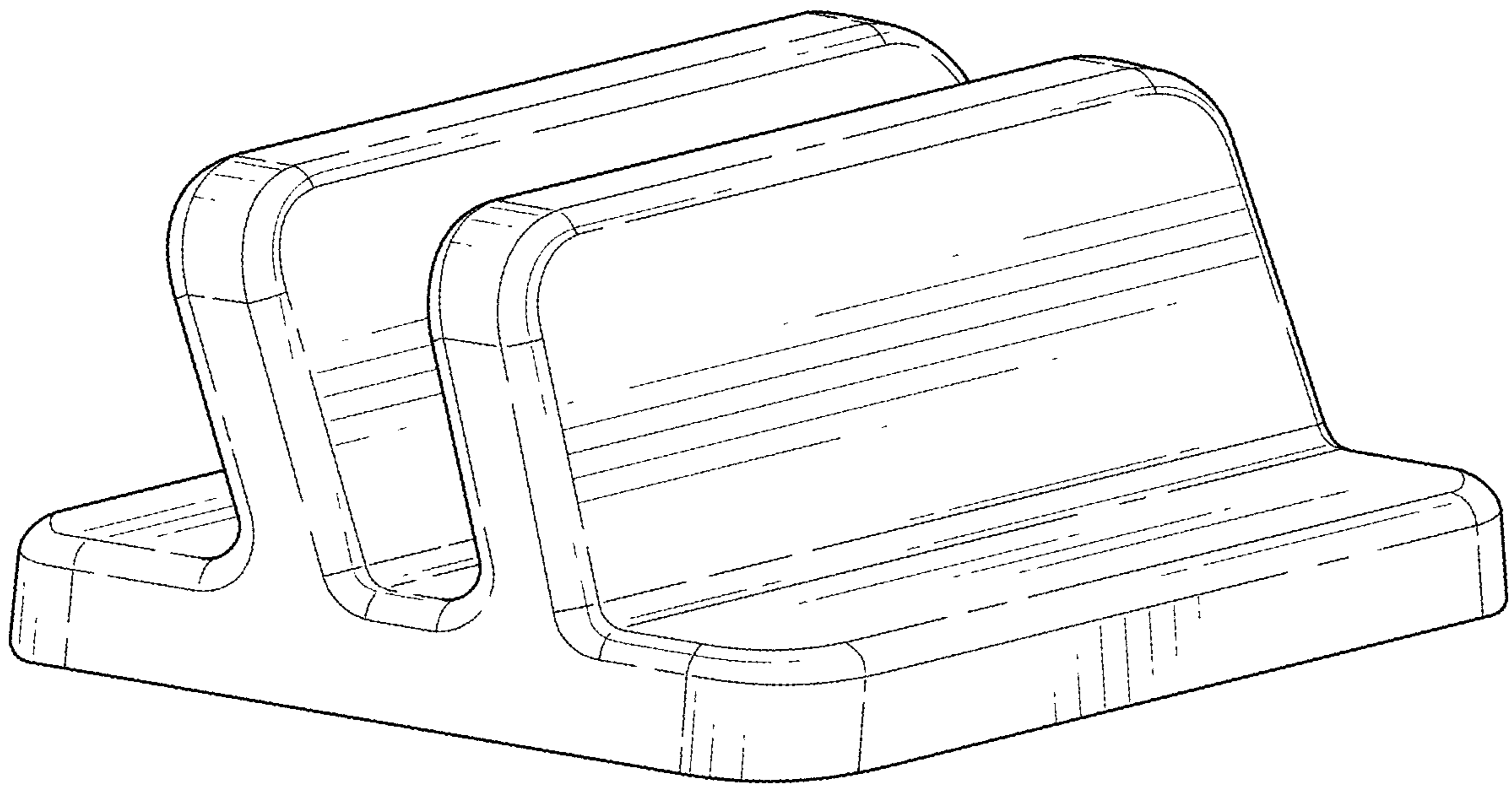


FIG. 1

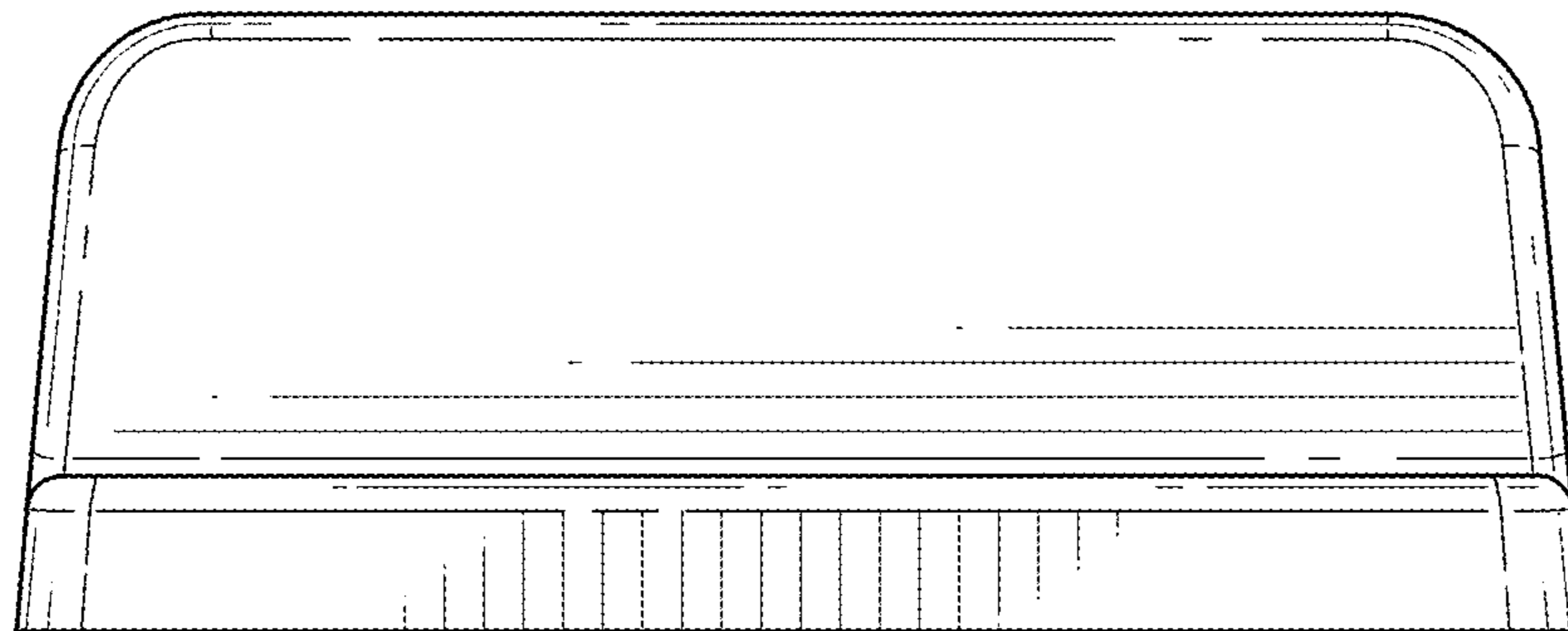


FIG. 2

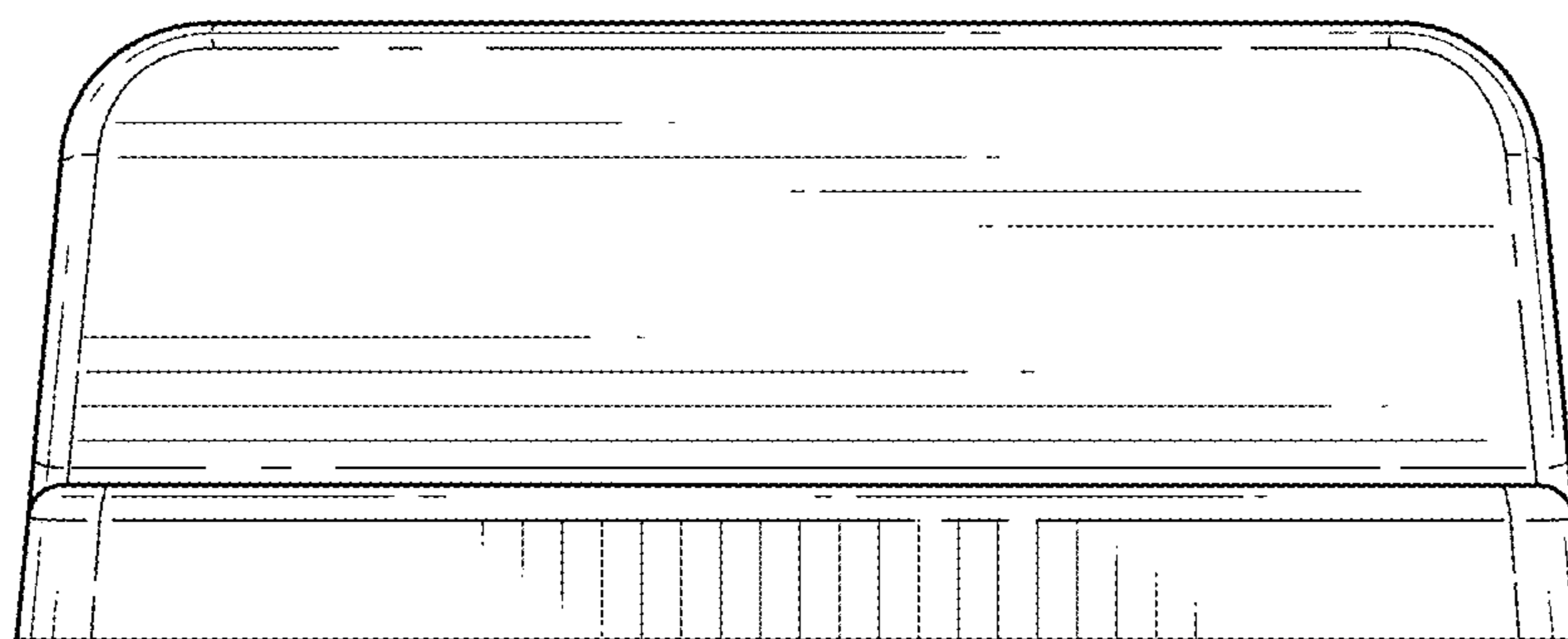


FIG. 3

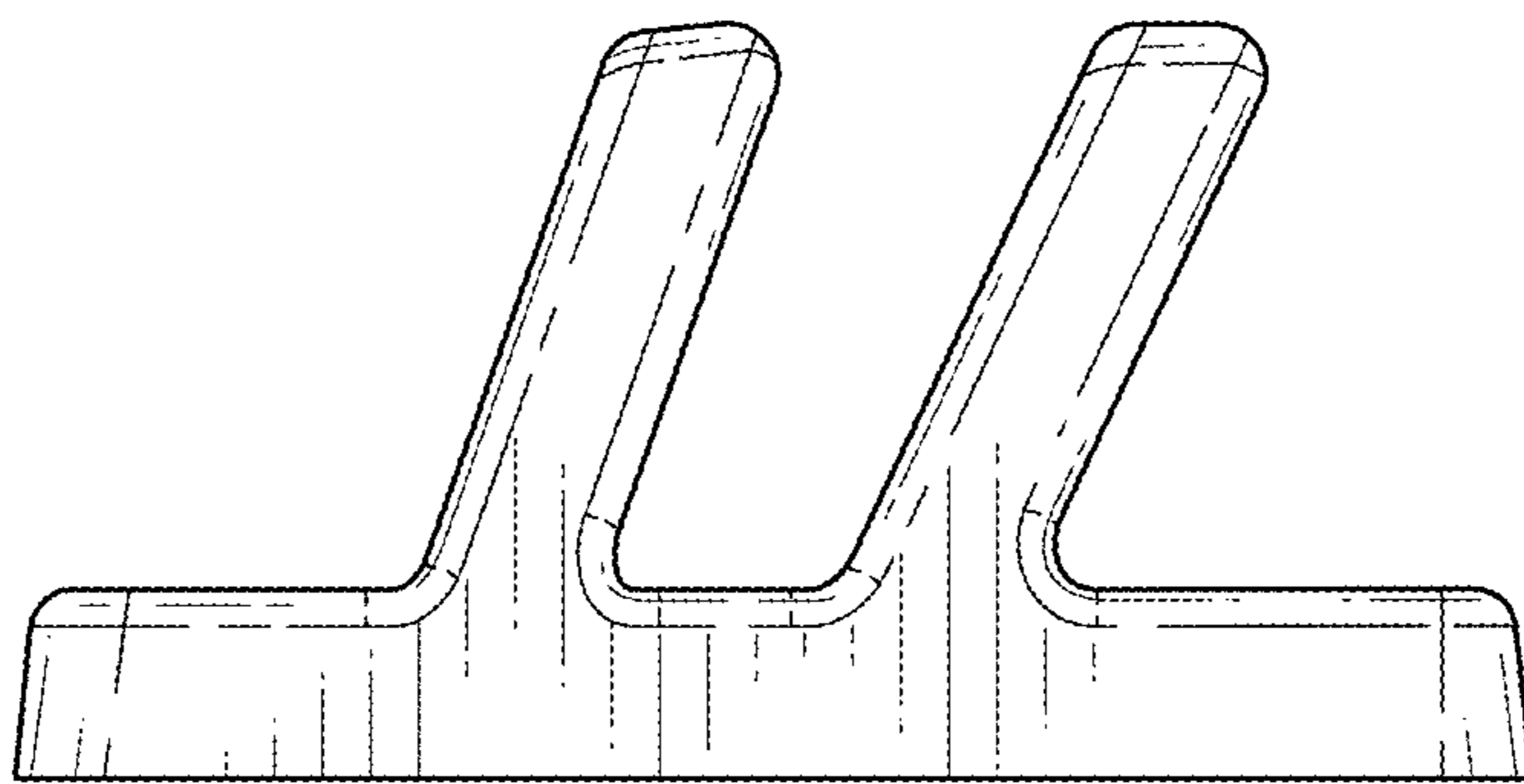


FIG. 4

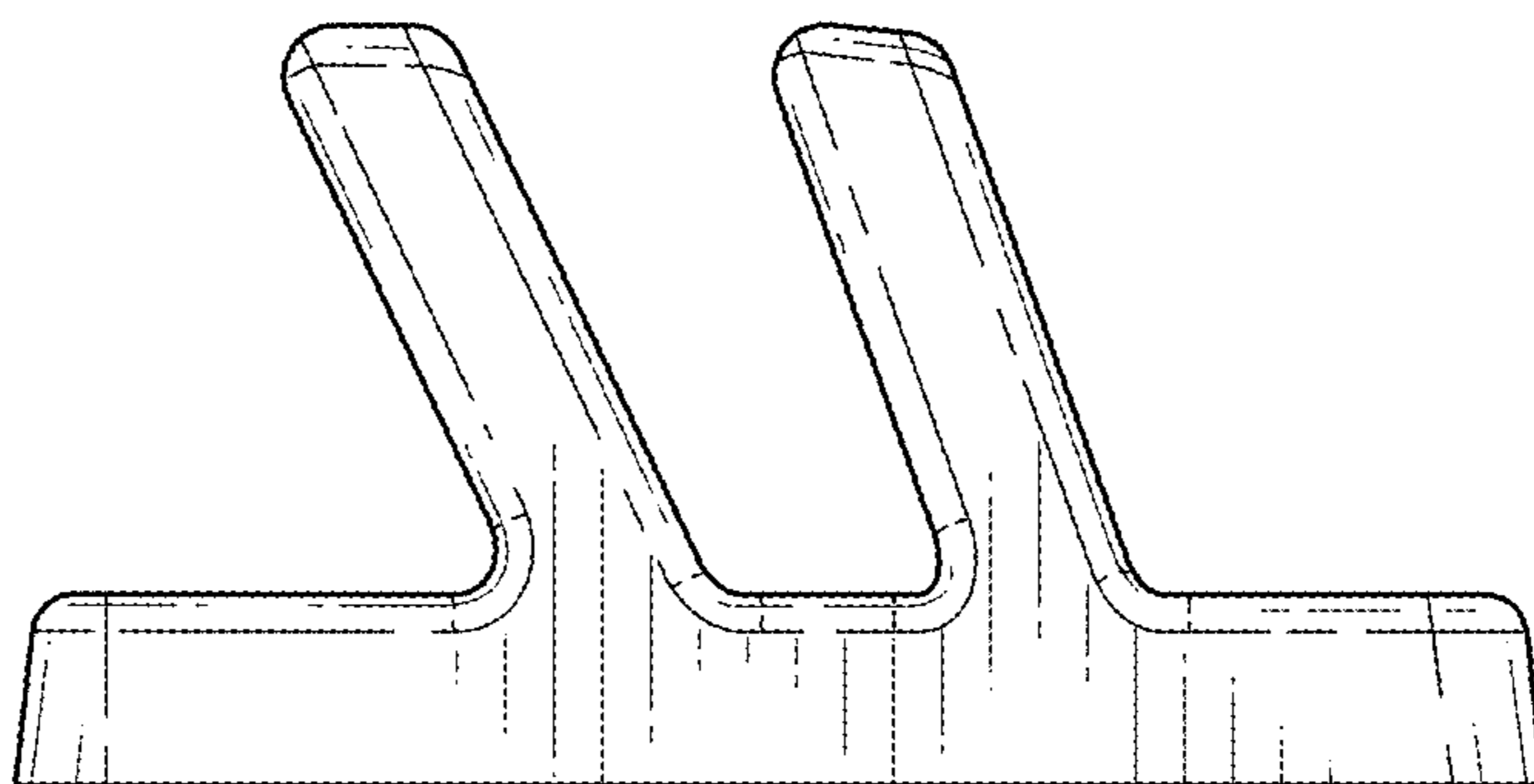


FIG. 5

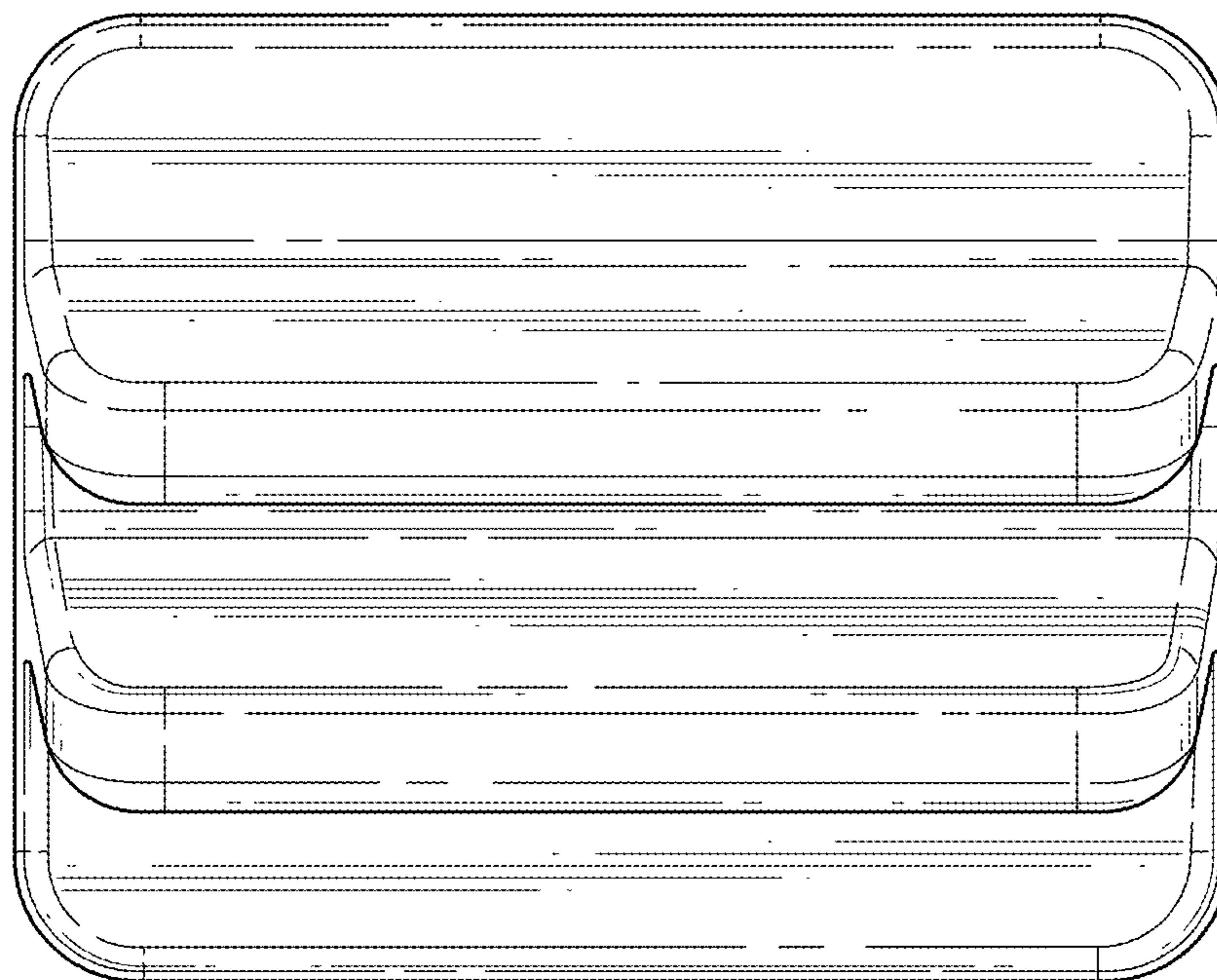


FIG. 6

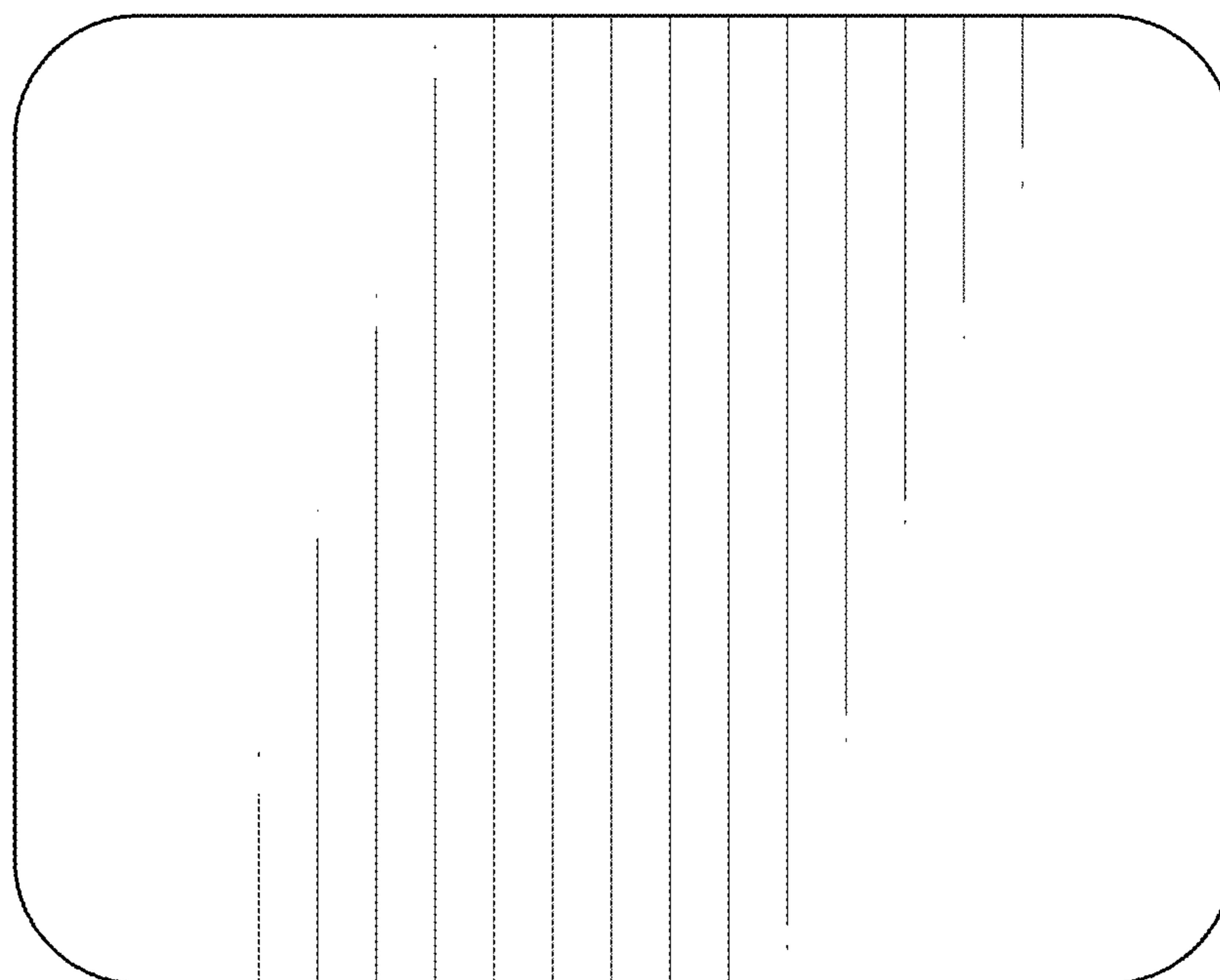


FIG. 7