



US00D870464S

(12) **United States Design Patent**
Suzuki

(10) **Patent No.:** **US D870,464 S**

(45) **Date of Patent:** **** Dec. 24, 2019**

(54) **COSMETIC CONTAINER**

(71) Applicant: **KOTOBUKI & CO., LTD.**,
Kawagoe-shi (JP)

(72) Inventor: **Tomoaki Suzuki**, Kawagoe (JP)

(73) Assignee: **KOTOBUKI & CO., LTD.**,
Kawagoe-shi (JP)

(**) Term: **15 Years**

(21) Appl. No.: **29/690,427**

(22) Filed: **May 8, 2019**

Related U.S. Application Data

(62) Division of application No. 29/603,993, filed on May 15, 2017, now Pat. No. Des. 859,004.

(51) **LOC (12) Cl.** **04-02**

(52) **U.S. Cl.**
USPC **D4/199**

(58) **Field of Classification Search**
USPC D4/121, 127, 135, 138; 15/106, 159.1,
15/160, 176.1, 184, 190-194; 132/289,
132/294, 298, 313, 317, 320; 401/123,
401/141, 175, 281
CPC A46B 7/026; A46B 5/005; A46B 17/04;
A46B 2200/1046
See application file for complete search history.

(56) **References Cited**

U.S. PATENT DOCUMENTS

D624,755 S	10/2010	Luis et al.	
D628,811 S	12/2010	Masuyama	
D690,945 S	10/2013	Williams et al.	
D714,558 S *	10/2014	Mink	D4/135
D752,876 S	4/2016	Jacob et al.	
D768,998 S *	10/2016	Kim	D4/127
D781,593 S	3/2017	Kaicker	
D784,024 S	4/2017	Jun	

D787,191 S	5/2017	Hwang	
D787,192 S	5/2017	Hwang	
D787,193 S	5/2017	Hwang	
D787,194 S *	5/2017	Hwang	D4/127

(Continued)

OTHER PUBLICATIONS

Notification of Refusal of Japanese Design Application No. 2017-500327, dated Jan. 5, 2018, 8 pgs.

(Continued)

Primary Examiner — Austin Murphy

(74) *Attorney, Agent, or Firm* — Frost Brown Todd LLC

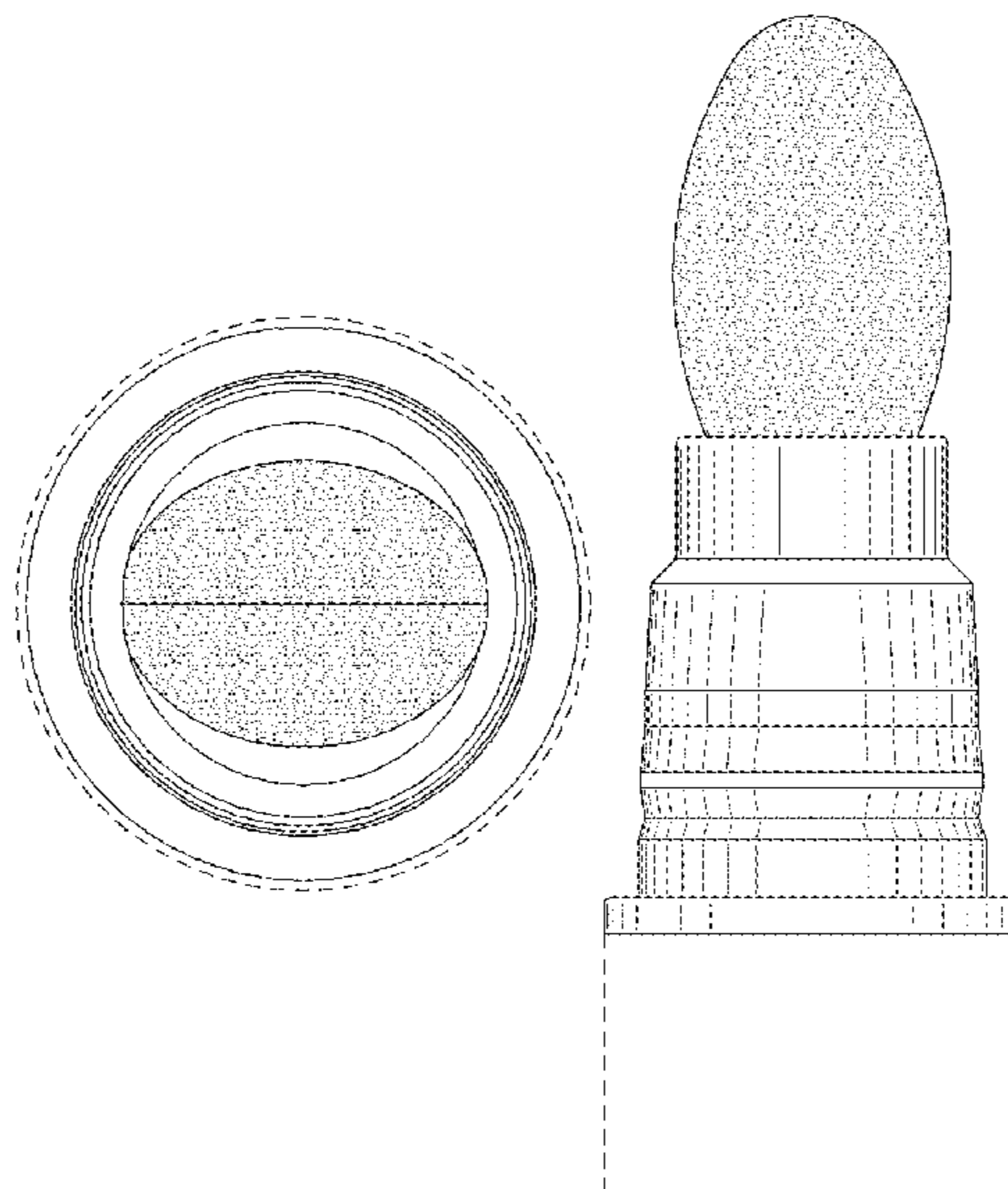
(57) **CLAIM**

The ornamental design for a cosmetic container, as shown and described.

DESCRIPTION

FIG. 1 is a perspective view of a cosmetic container, showing my new design;
 FIG. 2 is a front view of the cosmetic container of FIG. 1 (the back view being the same as the front view shown in FIG. 2);
 FIG. 3 is a top view of the cosmetic container of FIG. 1;
 FIG. 4 is a bottom view of the cosmetic container of FIG. 1;
 FIG. 5 is a left side view of the cosmetic container of FIG. 1 (the right side view being the same as the left side view shown in FIG. 5);
 FIG. 6 is an enlarged top view of the cosmetic container of FIG. 1;
 FIG. 7 is an enlarged view of a portion of the cosmetic container of FIG. 1, the portion being indicated by the broken line circle in FIG. 2; and,
 FIG. 8 is a front view of the cosmetic container of FIG. 1, with a cap thereof.
 The broken lines in the drawings are unclaimed environment and form no part of the claimed design.

1 Claim, 3 Drawing Sheets



(56)

References Cited

U.S. PATENT DOCUMENTS

D787,195 S 5/2017 Nakamura
 D787,833 S 5/2017 Jain
 D789,695 S 6/2017 Jain
 D791,488 S 7/2017 Jain
 D793,090 S 8/2017 Allen et al.
 D798,604 S 10/2017 Hwang
 D801,058 S * 10/2017 Xavier D4/135
 D818,277 S 5/2018 Jain
 D818,718 S 5/2018 Kaicker
 D829,006 S 9/2018 Richards
 D831,971 S * 10/2018 Porcaro D4/135
 D832,521 S 10/2018 West
 D840,693 S 2/2019 Hwang
 D850,116 S * 6/2019 Schmidt D4/114
 D859,004 S * 9/2019 Suzuki D4/199
 2005/0138746 A1 * 6/2005 Young-Chul A46B 3/00
 15/191.1
 2007/0098485 A1 * 5/2007 Byun A45D 33/02
 401/286
 2009/0183328 A1 * 7/2009 King A46B 5/0062
 15/143.1
 2011/0174680 A1 * 7/2011 Arvin A45D 33/00
 206/581
 2012/0260931 A1 * 10/2012 Martin A46B 13/02
 132/200

2012/0298130 A1 * 11/2012 Telwar A46B 3/08
 132/317
 2014/0331422 A1 * 11/2014 Lim A45D 40/262
 15/106
 2015/0121638 A1 * 5/2015 Lim A46B 7/023
 15/184
 2015/0265039 A1 * 9/2015 Godin A46B 9/021
 15/207.2
 2016/0066681 A1 * 3/2016 Xavier A46B 9/021
 2016/0324306 A1 * 11/2016 Martin A46B 13/02
 2018/0084897 A1 * 3/2018 Serposi A46B 9/021

OTHER PUBLICATIONS

“Color Stay Rouge,” Cecile.com, 1999, downloaded Jan. 11, 2018
 from <https://www.cecile.co.jp/detail/YG-1383/>, 7 pgs.
 Design U.S. Appl. No. 29/603,993, filed May 15, 2017, by Suzuki,
 entitled: Cosmetic Container.
 Design U.S. Appl. No. 29/690,429, filed May 8, 2019, by Suzuki,
 entitled: Cosmetic Container.
 Design U.S. Appl. No. 29/690,430, filed May 8, 2019, by Suzuki,
 entitled: Cosmetic Container.
 Design U.S. Appl. No. 29/690,428, filed May 8, 2019, by Suzuki,
 entitled: Cosmetic Container.

* cited by examiner

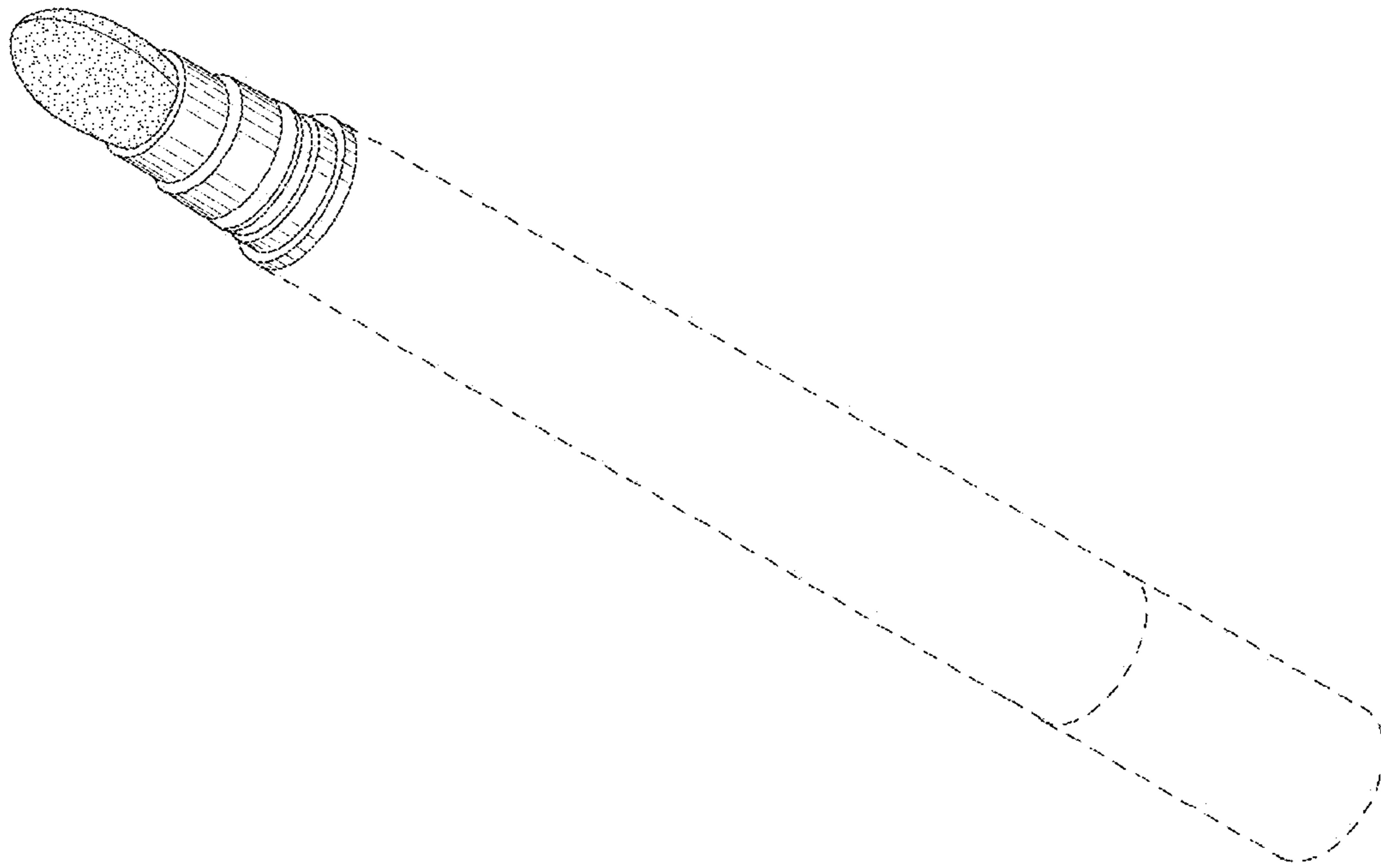


FIG. 1

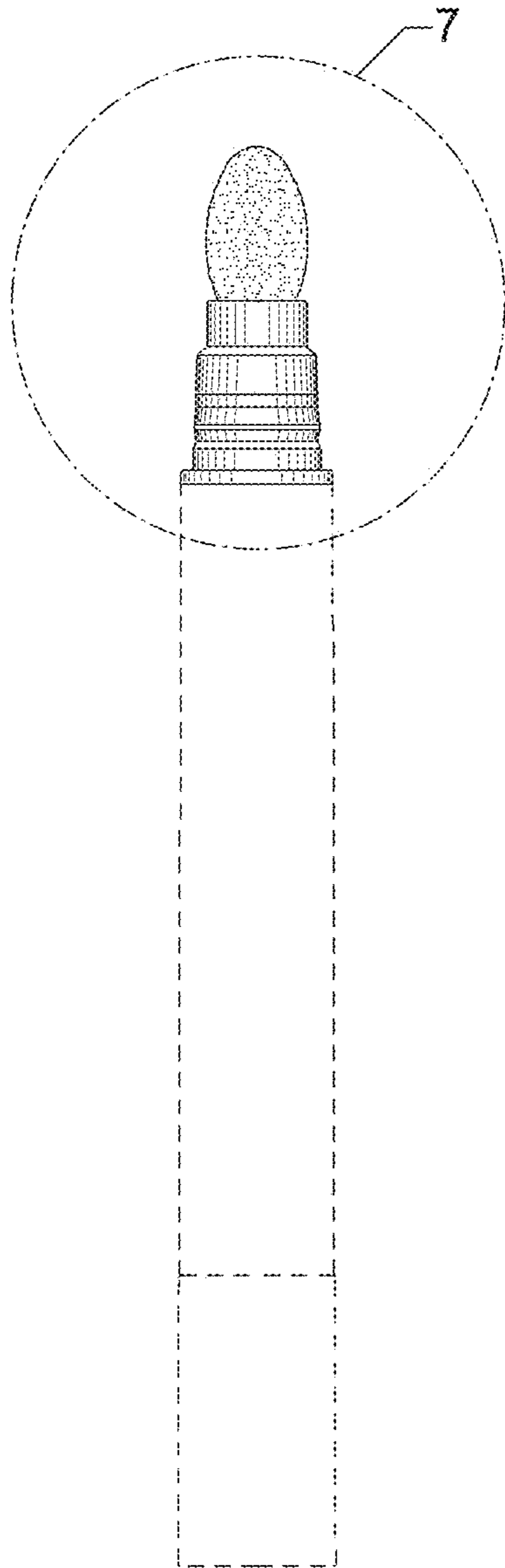


FIG. 2

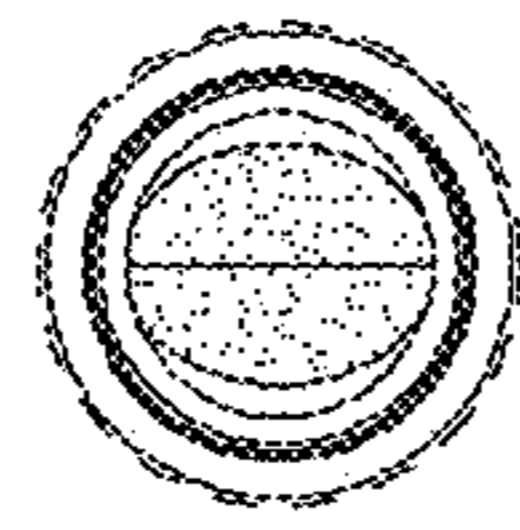


FIG. 3

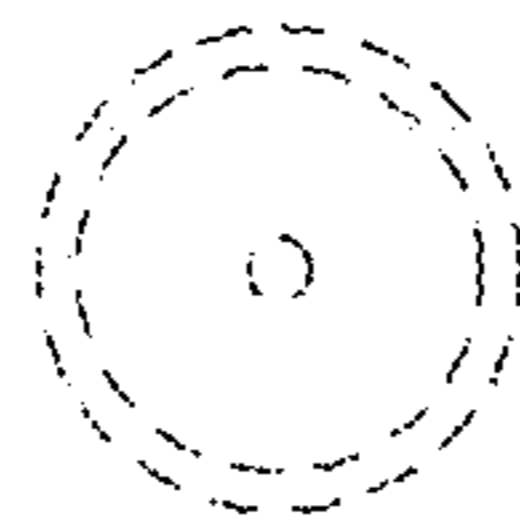


FIG. 4

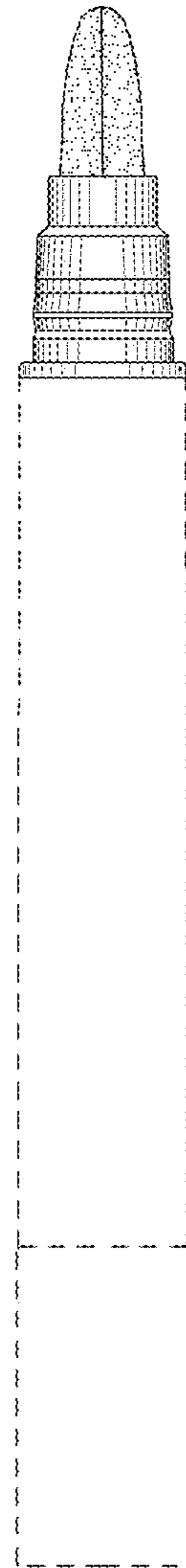


FIG. 5

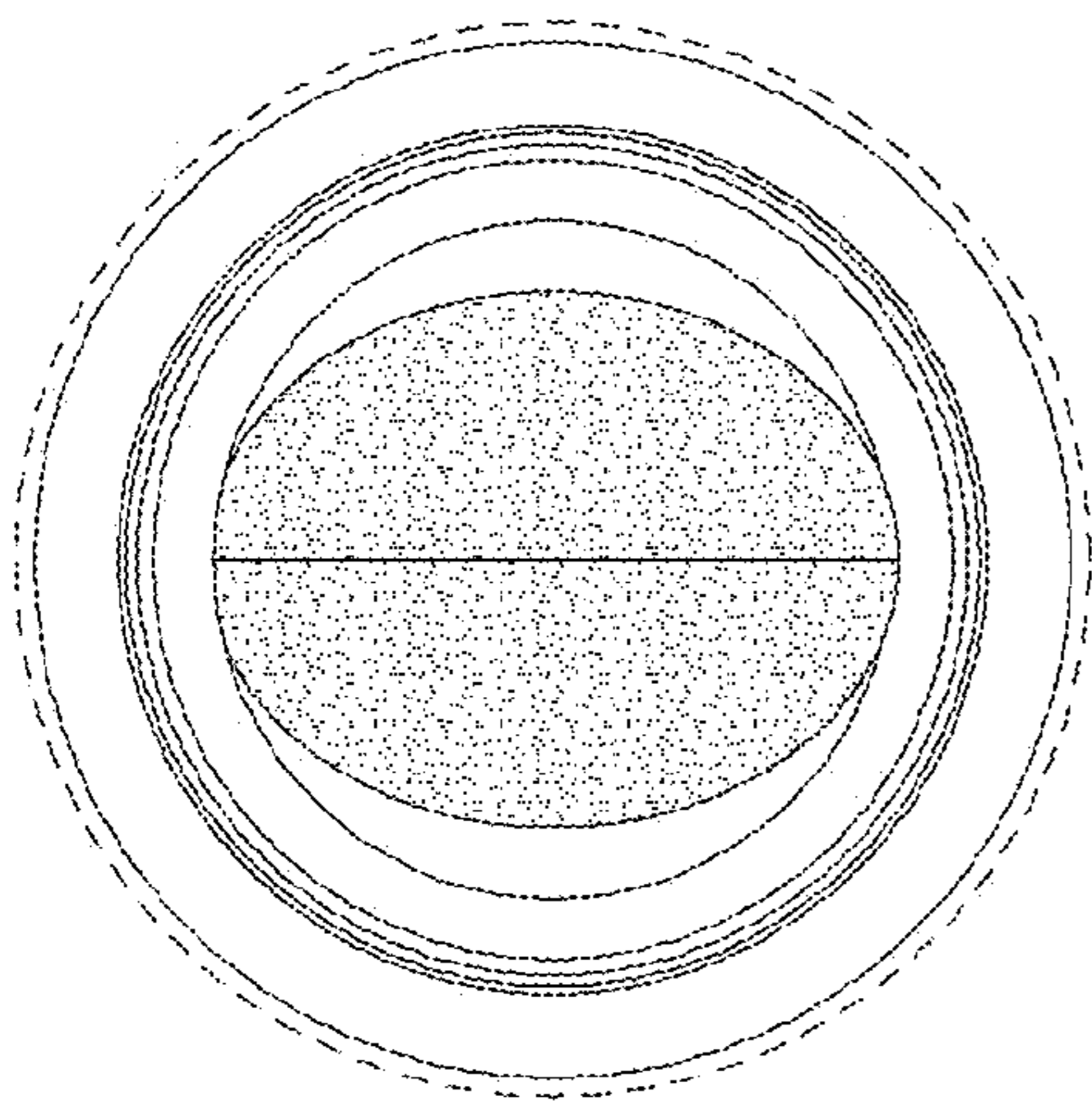


FIG. 6

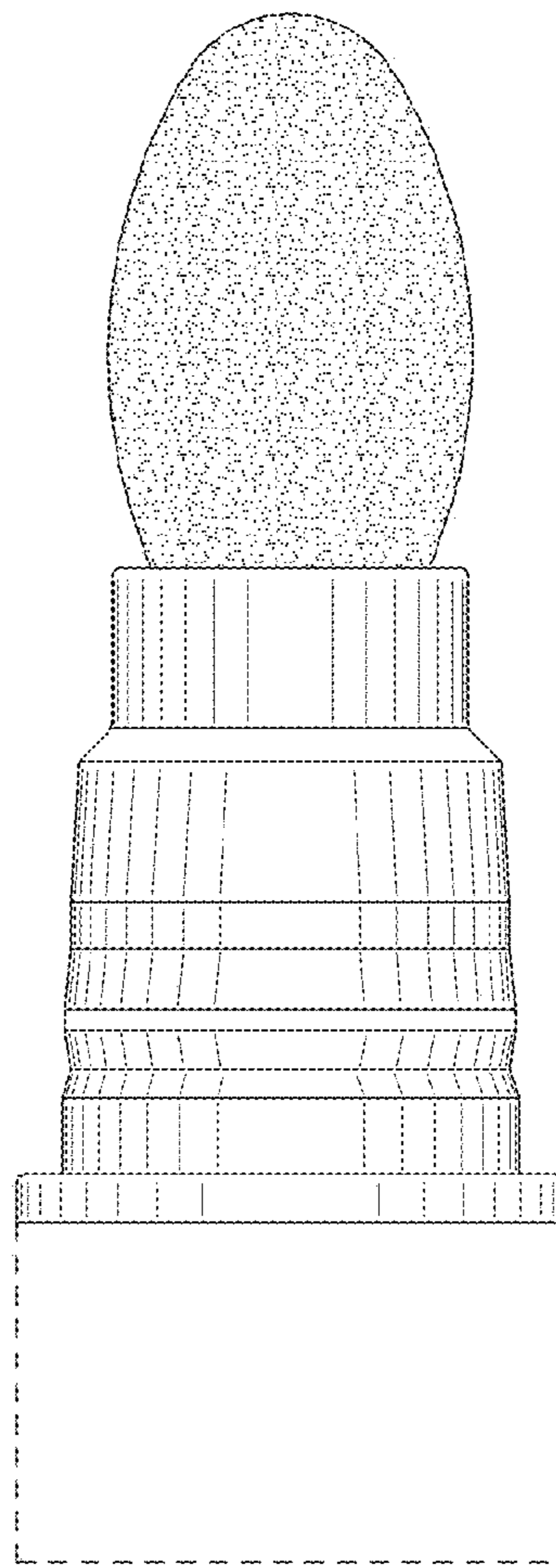


FIG. 7

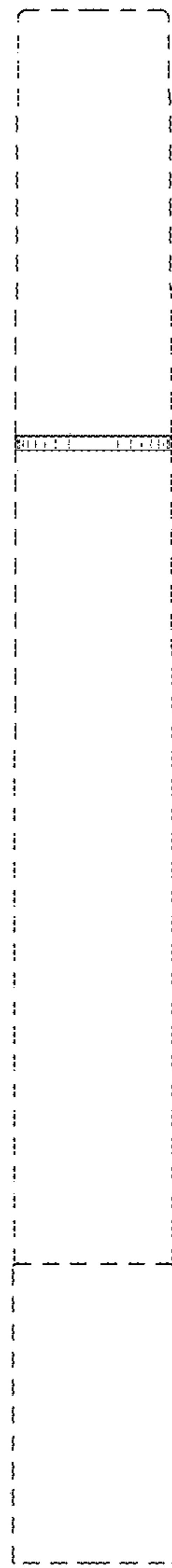


FIG. 8