



US00D870455S

(12) **United States Design Patent**
Yang

(10) **Patent No.:** **US D870,455 S**

(45) **Date of Patent:** **** Dec. 24, 2019**

(54) **WAIST BAG**

(71) Applicant: **Shenzhenshi Guangshenghongyuan Trading Co., Ltd., Shenzhen (CN)**

(72) Inventor: **Gaozong Yang, Fuzhou (CN)**

(73) Assignee: **SHENZHENSHI GUANGSHENGHONGYUAN TRADING CO., LTD., Shenzhen (CN)**

(**) Term: **15 Years**

(21) Appl. No.: **29/669,555**

(22) Filed: **Nov. 9, 2018**

(51) **LOC (12) Cl.** **03-01**

(52) **U.S. Cl.**
USPC **D3/226; D3/218**

(58) **Field of Classification Search**
USPC D3/226, 218, 215, 269, 303, 247;
224/196, 240-241, 578, 674, 676-681,
224/901, 904; 206/305, 320;
455/575.1-575.8
CPC .. A45F 5/02; A45F 5/021; A45F 5/022; A45F
2005/00; A45F 2005/008; A45F
2005/006; A45F 2200/0516; A45F
2200/05

See application file for complete search history.

(56) **References Cited**

U.S. PATENT DOCUMENTS

6,651,854 B1 * 11/2003 LaCoste A45F 5/00
224/196
D606,301 S * 12/2009 Hofer D3/218

D606,303 S * 12/2009 Fahrendorff D3/218
D635,763 S * 4/2011 Fahrendorff D3/218
D681,952 S * 5/2013 Phillips D3/303
D692,230 S * 10/2013 Phillips D3/218
D695,007 S * 12/2013 Zhang D3/218
D725,380 S * 3/2015 Zhang D3/218
D725,381 S * 3/2015 Zhang D3/218
D756,105 S * 5/2016 Zhang D3/218
D805,763 S * 12/2017 Zhang D3/218

* cited by examiner

Primary Examiner — Catherine R Oliver-Garcia

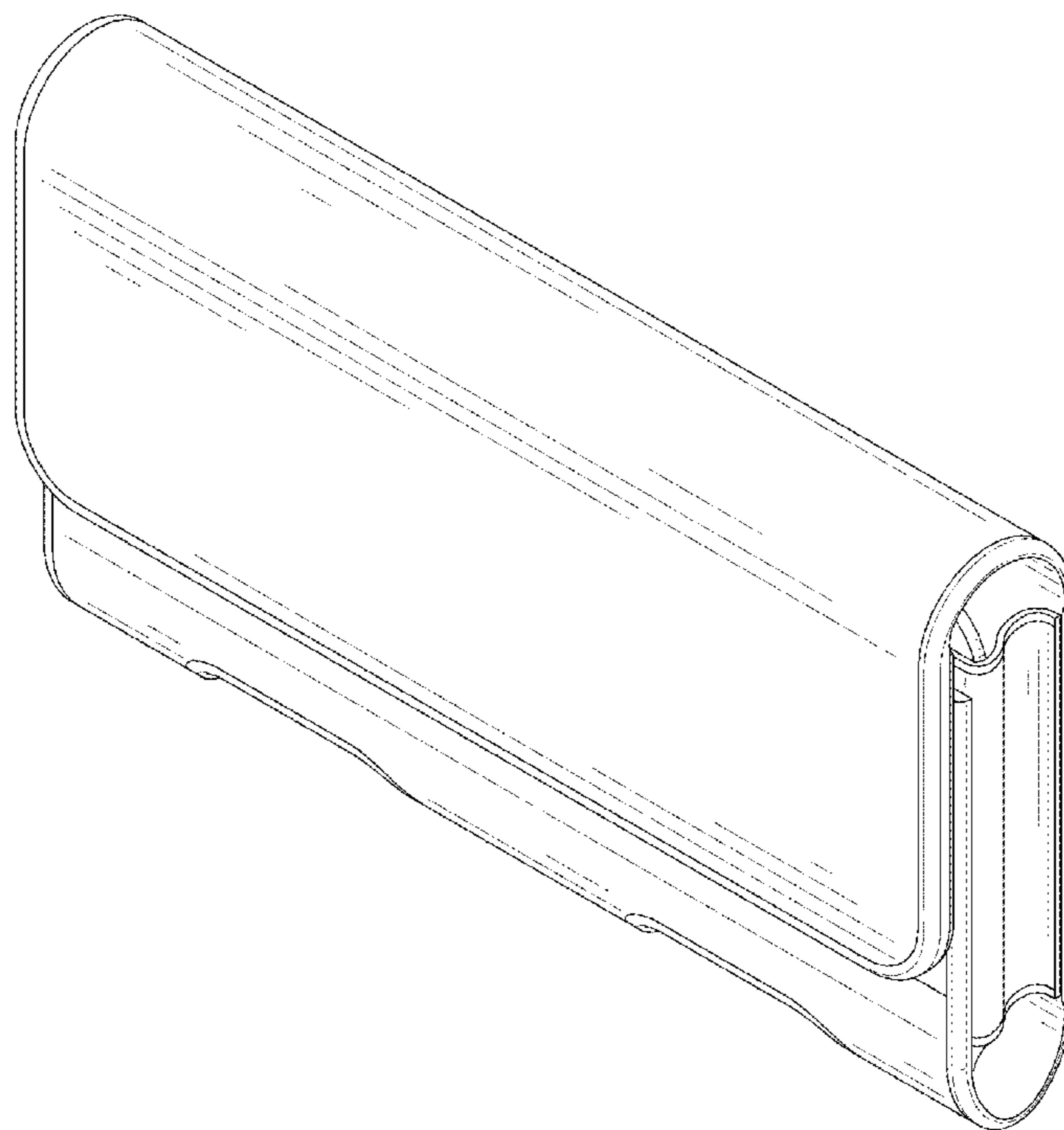
(57) **CLAIM**

The ornamental design for a waist bag, as shown and described.

DESCRIPTION

FIG. 1 is a perspective view of a waist bag showing my new design;
FIG. 2 is another perspective view thereof;
FIG. 3 is a front elevational view thereof;
FIG. 4 is a rear elevational view thereof;
FIG. 5 is a left side elevational view thereof;
FIG. 6 is a right side elevational view thereof;
FIG. 7 is a top plan view thereof;
FIG. 8 is a bottom plan view thereof; and,
FIG. 9 is another perspective view of the waist bag shown in an open state.
The broken lines illustrate portions of the waist bag that form no part of the claimed design.

1 Claim, 9 Drawing Sheets



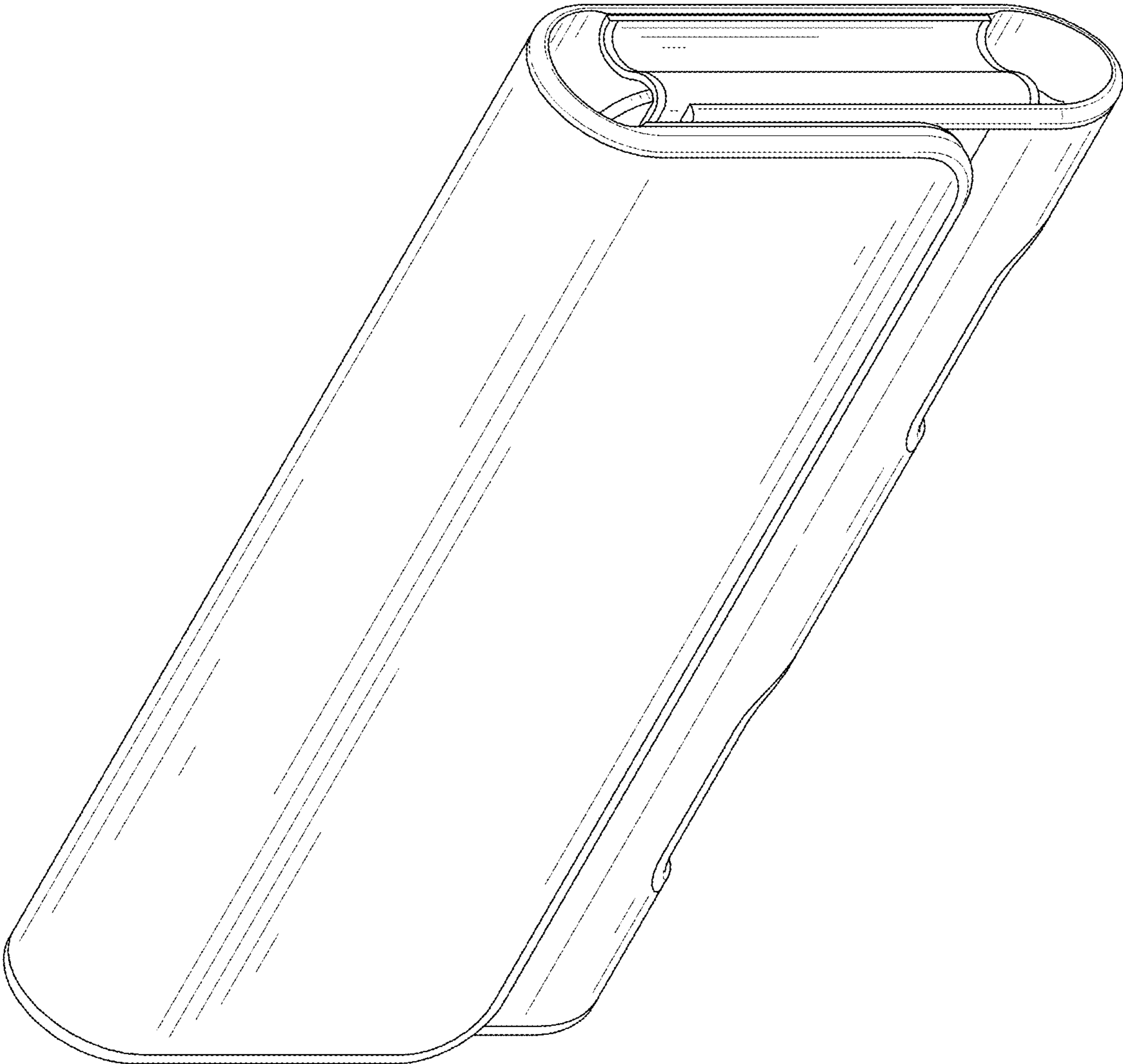


FIG. 1

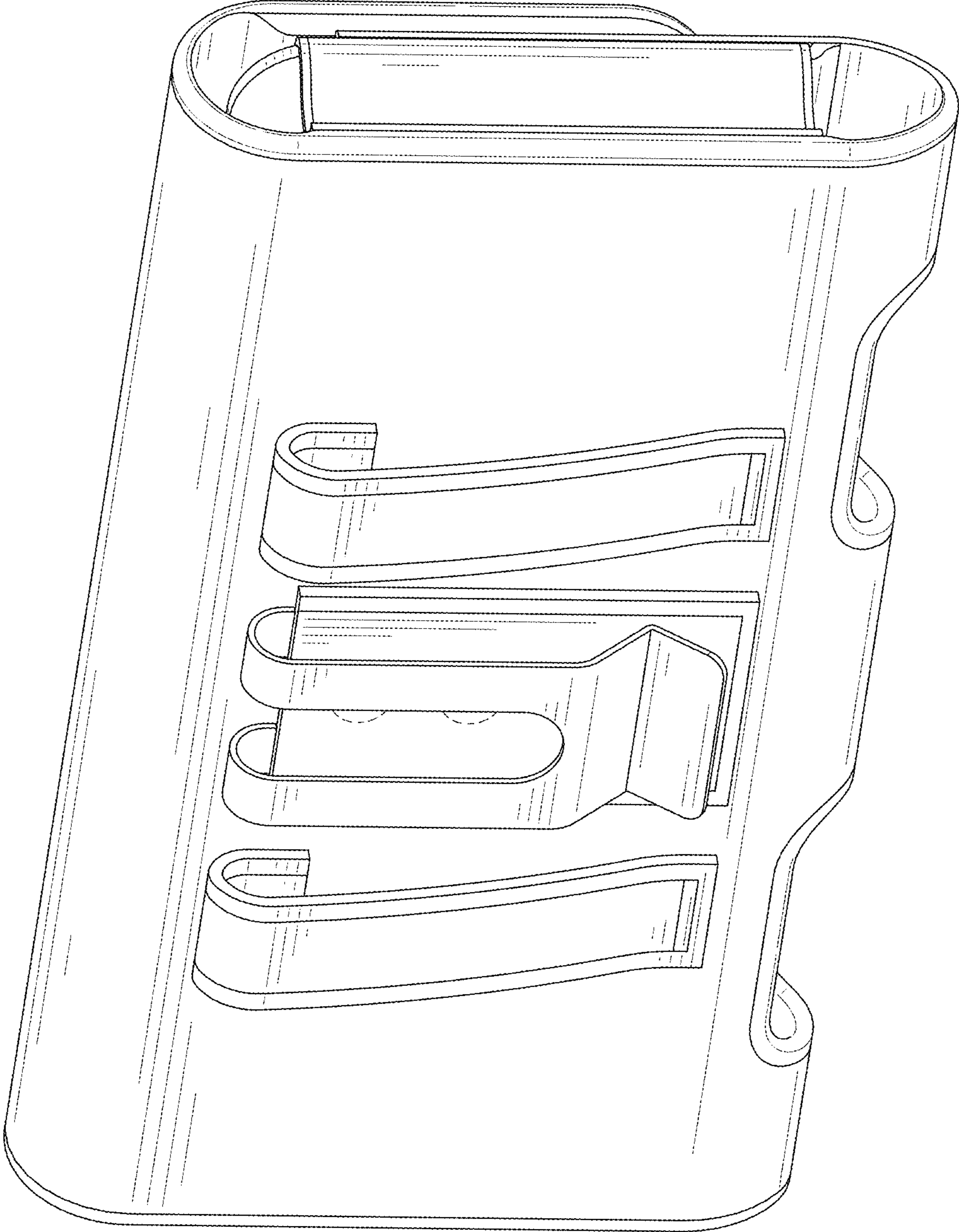


FIG. 2

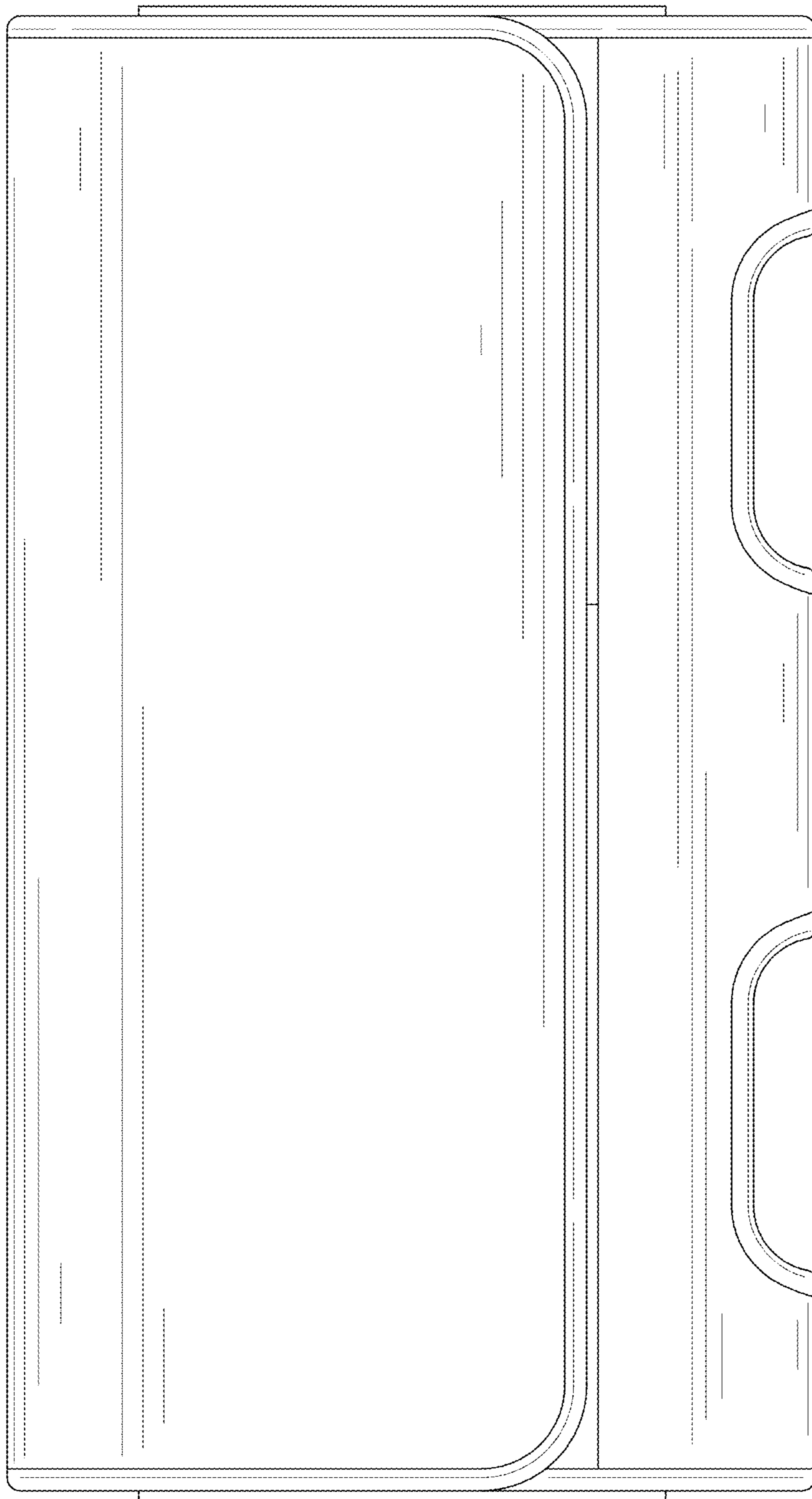


FIG. 3

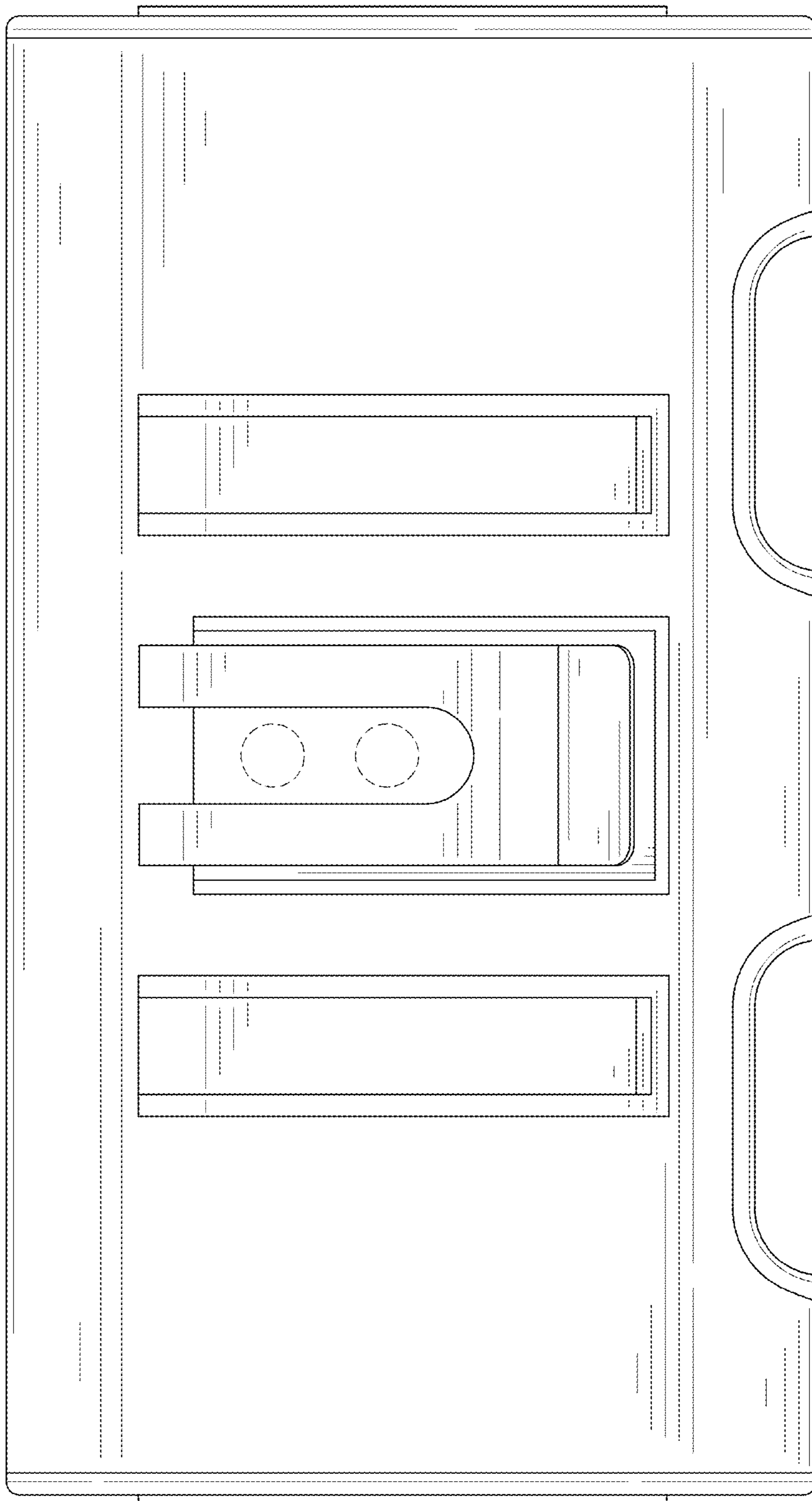


FIG. 4

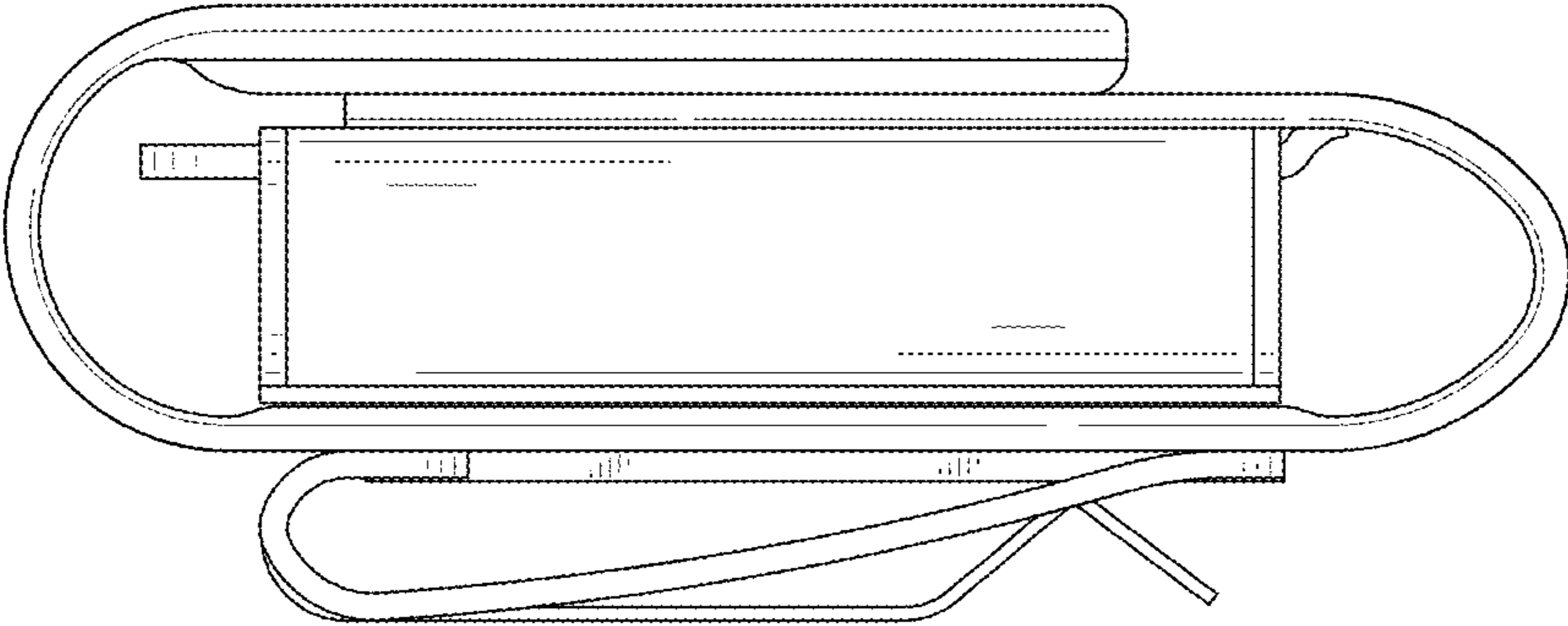


FIG. 5

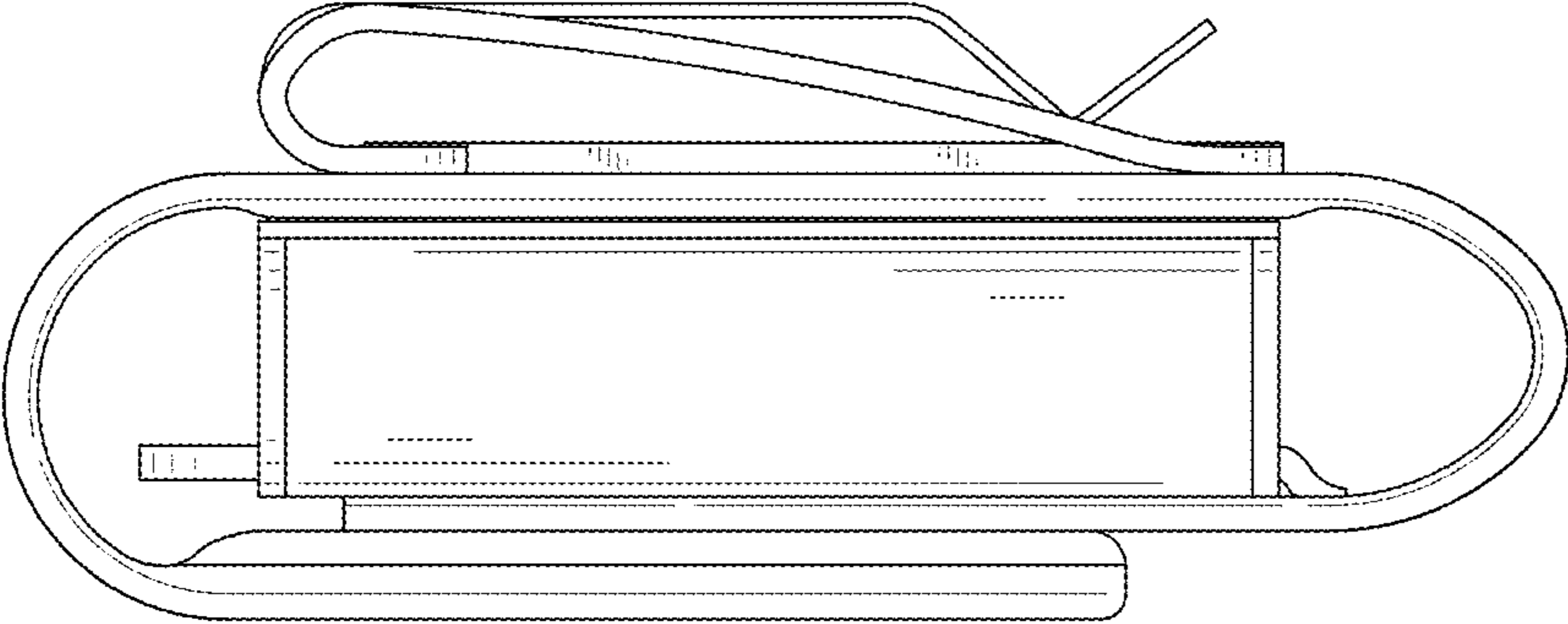


FIG. 6

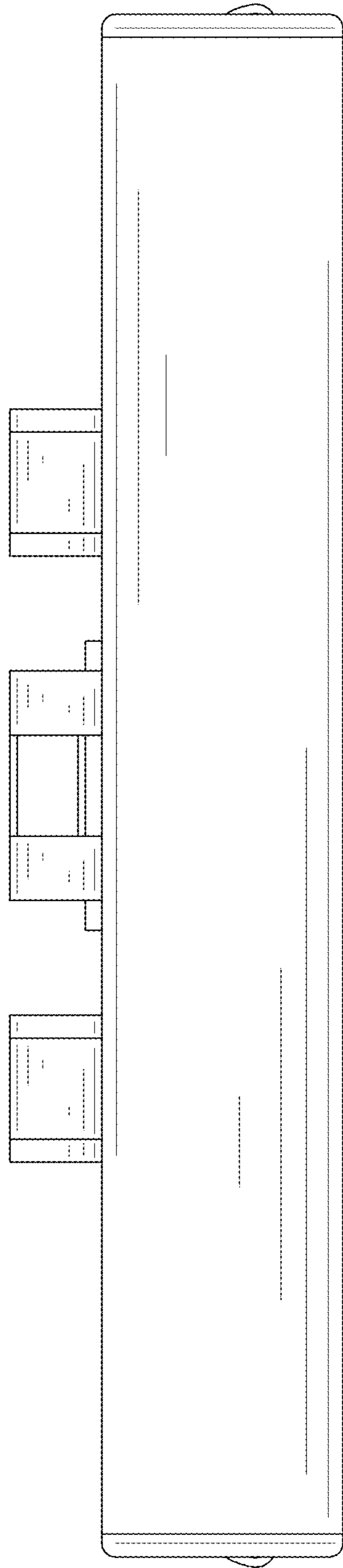


FIG. 7

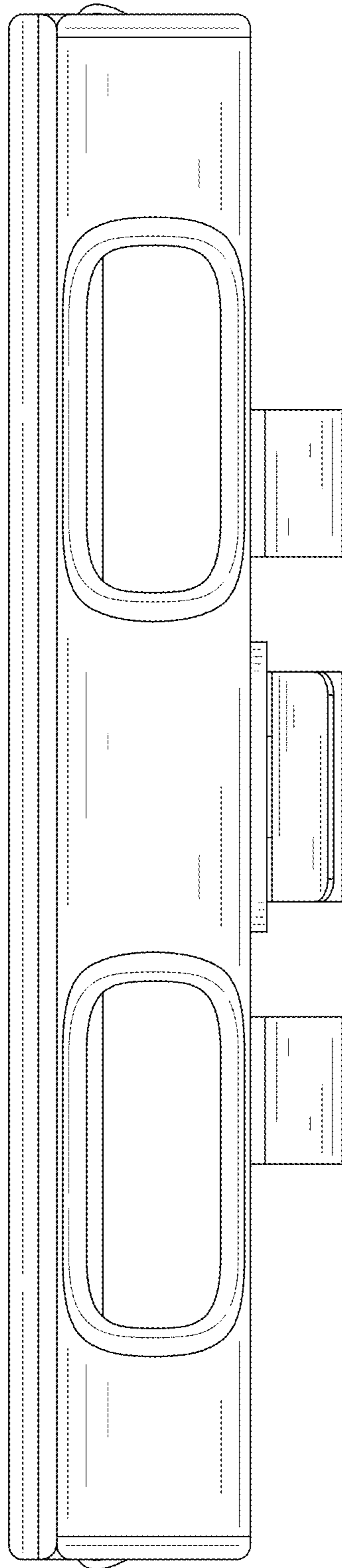


FIG. 8

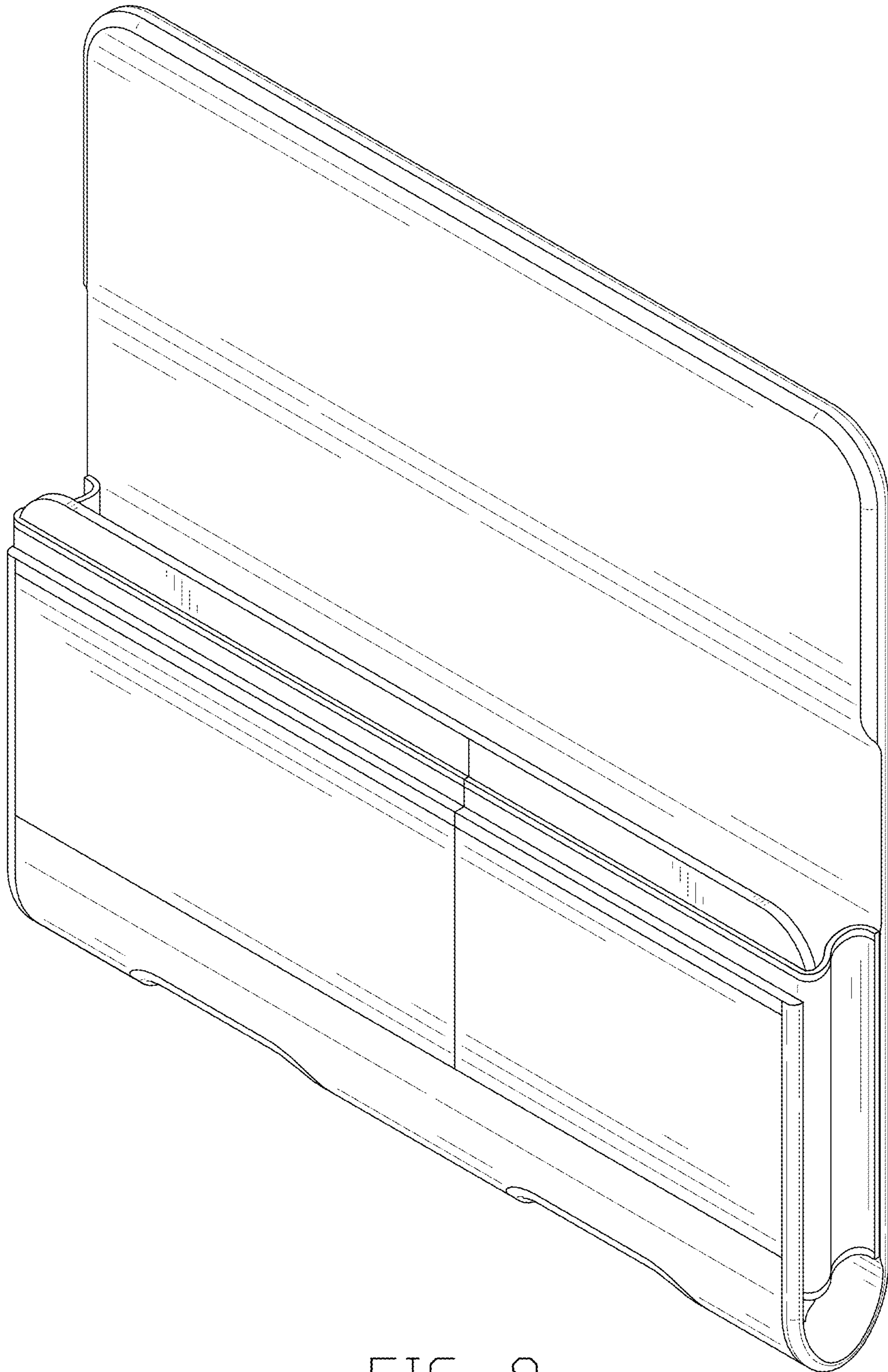


FIG. 9