



US00D870454S

(12) **United States Design Patent**
Herron

(10) **Patent No.:** **US D870,454 S**

(45) **Date of Patent:** **** Dec. 24, 2019**

(54) **EGG SHAPED BABY BACKPACK**
(71) Applicant: **Natasha Herron**, Atlanta, GA (US)
(72) Inventor: **Natasha Herron**, Atlanta, GA (US)
(**) Term: **15 Years**

(21) Appl. No.: **29/669,694**
(22) Filed: **Nov. 9, 2018**
(51) **LOC (12) Cl.** **03-01**
(52) **U.S. Cl.**
USPC **D3/217**
(58) **Field of Classification Search**
USPC D3/201, 202, 213–219, 221, 224, 225,
D3/229, 230, 232, 243–246, 254, 318;
D2/829; D30/309
CPC A45F 3/04; A45F 4/02; A45F 2200/0525;
A45F 2003/045; A45C 11/00; A45C
13/30; A45C 2011/002; A45C 2011/003;
A45C 2011/001; A45C 15/00; A01K
1/0245; A01K 1/0254; A01K 1/0236;
A01K 1/029; A01K 1/0272; A01K
1/0263; A01K 1/0281
See application file for complete search history.

(56) **References Cited**
U.S. PATENT DOCUMENTS
D384,199 S * 9/1997 Dixon D3/217
D499,514 S * 12/2004 Doan D30/108

D616,612 S * 5/2010 Lu D30/109
8,171,888 B2 * 5/2012 Chou A01K 1/0254
119/497
D685,952 S * 7/2013 Dixon D30/109
D705,497 S * 5/2014 Renforth D30/108
D794,948 S * 8/2017 Wright D21/683
D805,762 S * 12/2017 Lopez Avila D3/217
D856,602 S * 8/2019 Lu D30/109

* cited by examiner

Primary Examiner — Jennifer L Watkins

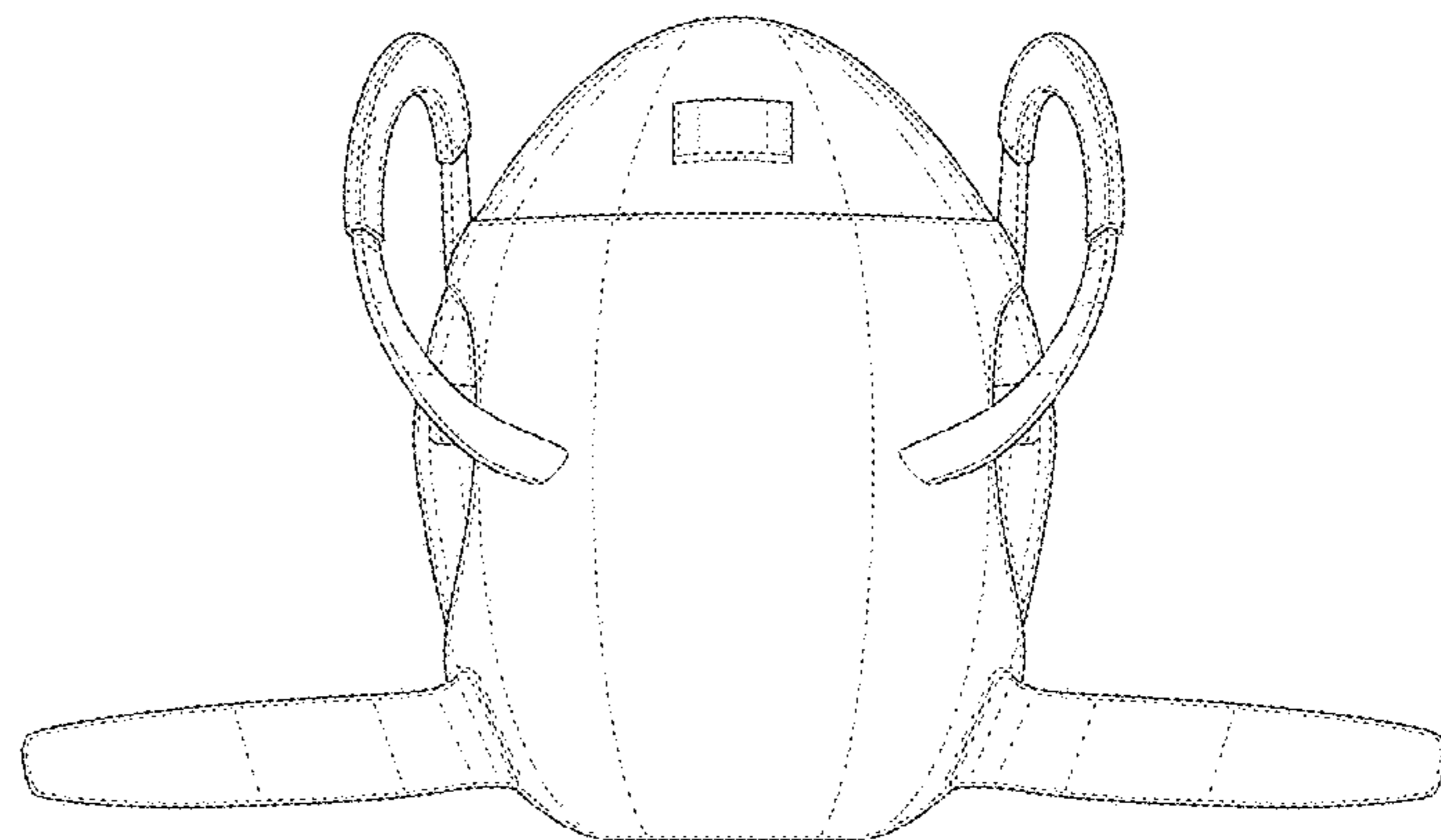
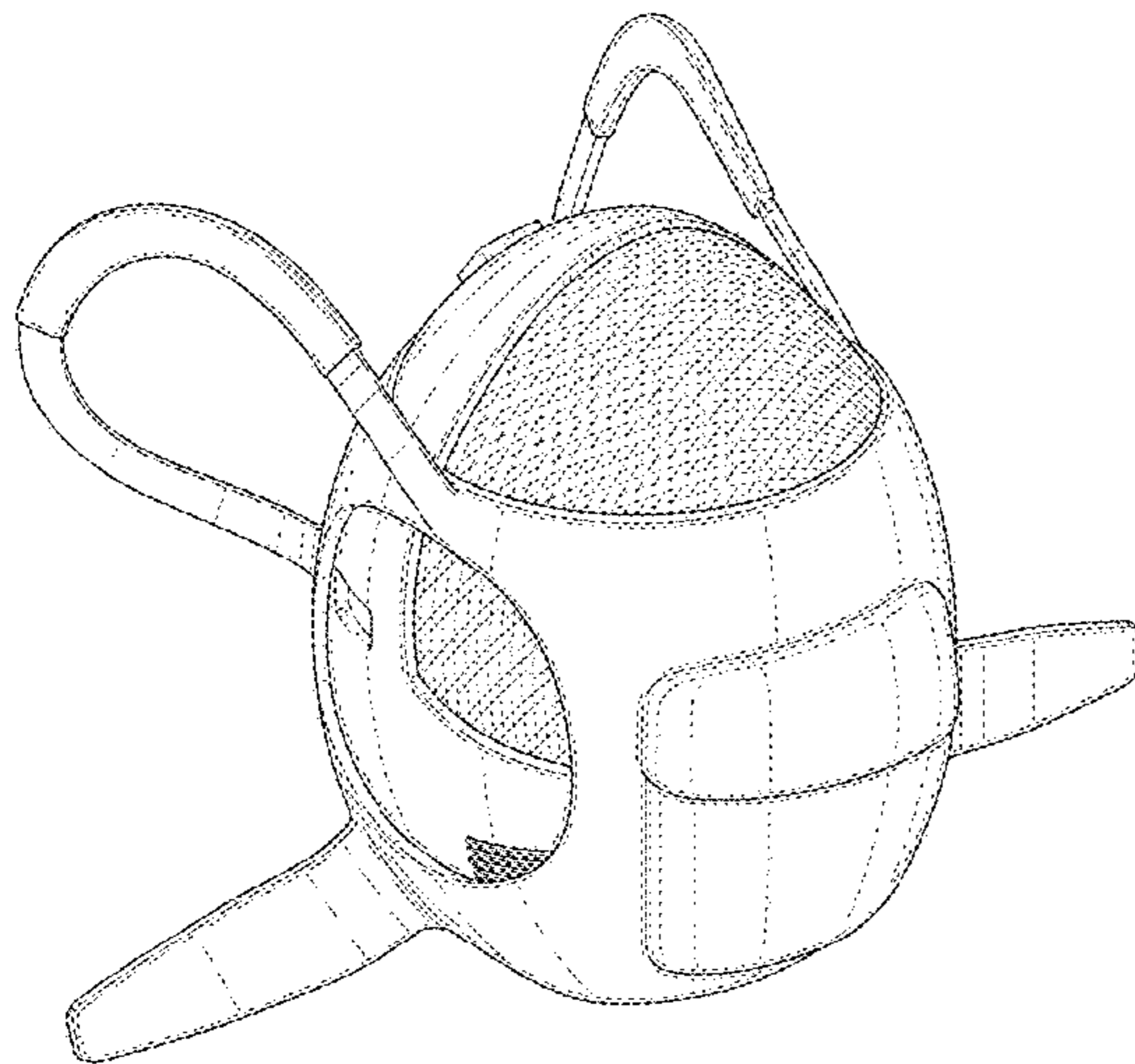
(57) **CLAIM**

The ornamental design for an egg shaped baby backpack, as shown and described.

DESCRIPTION

FIG. 1 is a perspective view of the egg shaped baby backpack showing my new design;
FIG. 2 is a front elevation view thereof;
FIG. 3 is a rear elevation view thereof;
FIG. 4 is a left elevation view thereof;
FIG. 5 is a right elevation view thereof;
FIG. 6 is a top plan view thereof; and,
FIG. 7 is a bottom plan view thereof.

1 Claim, 7 Drawing Sheets



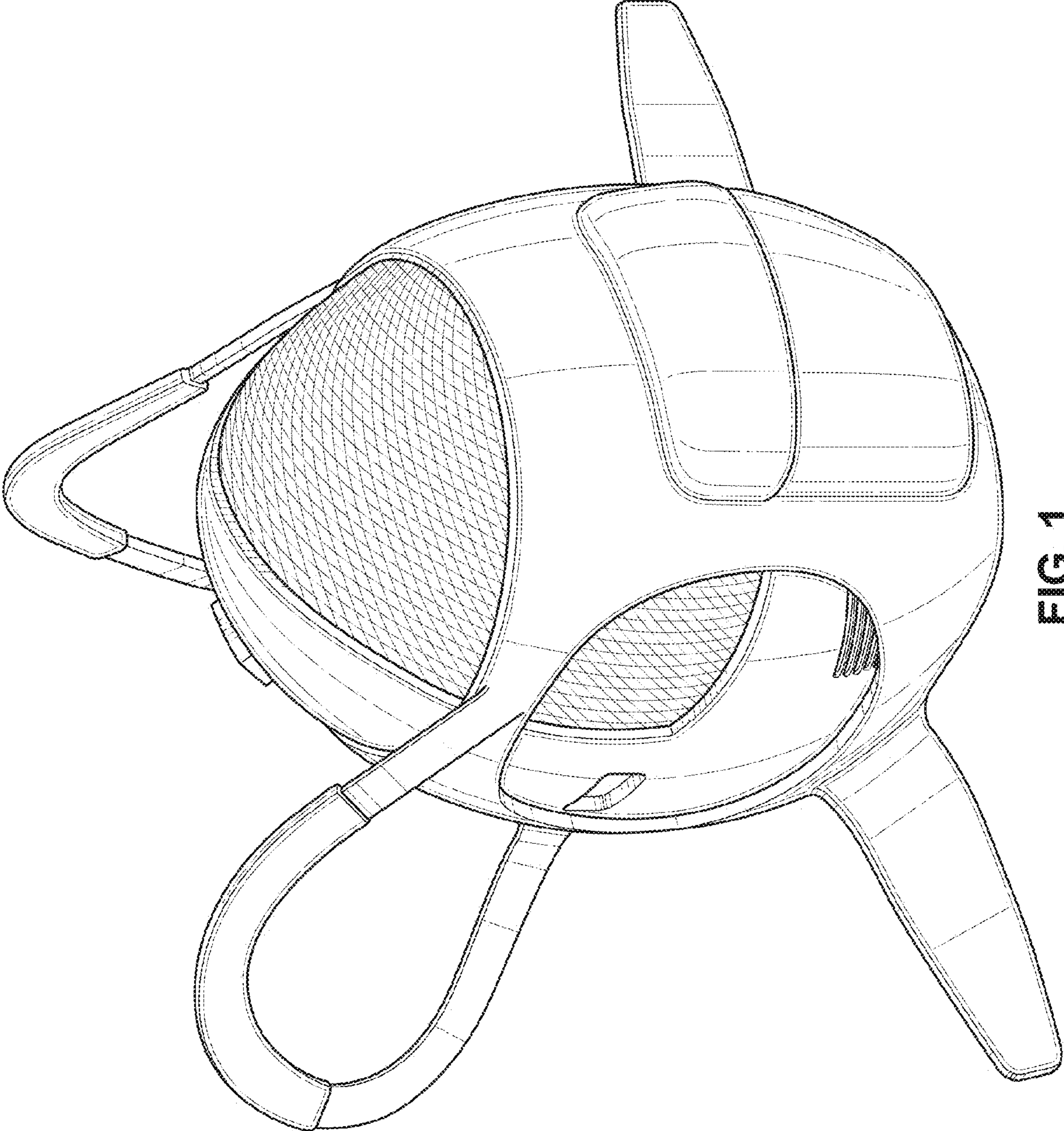


FIG. 1

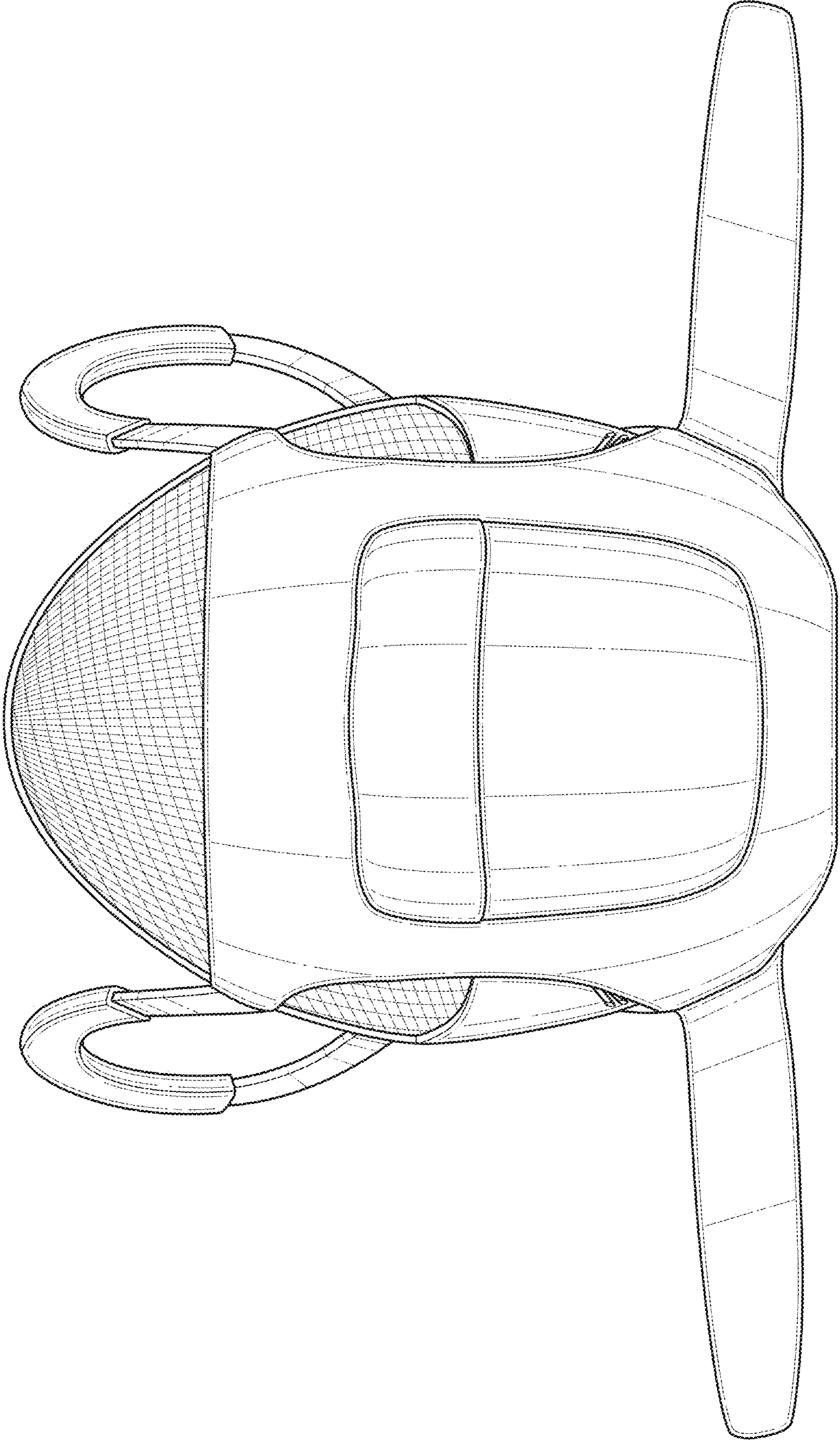


FIG. 2

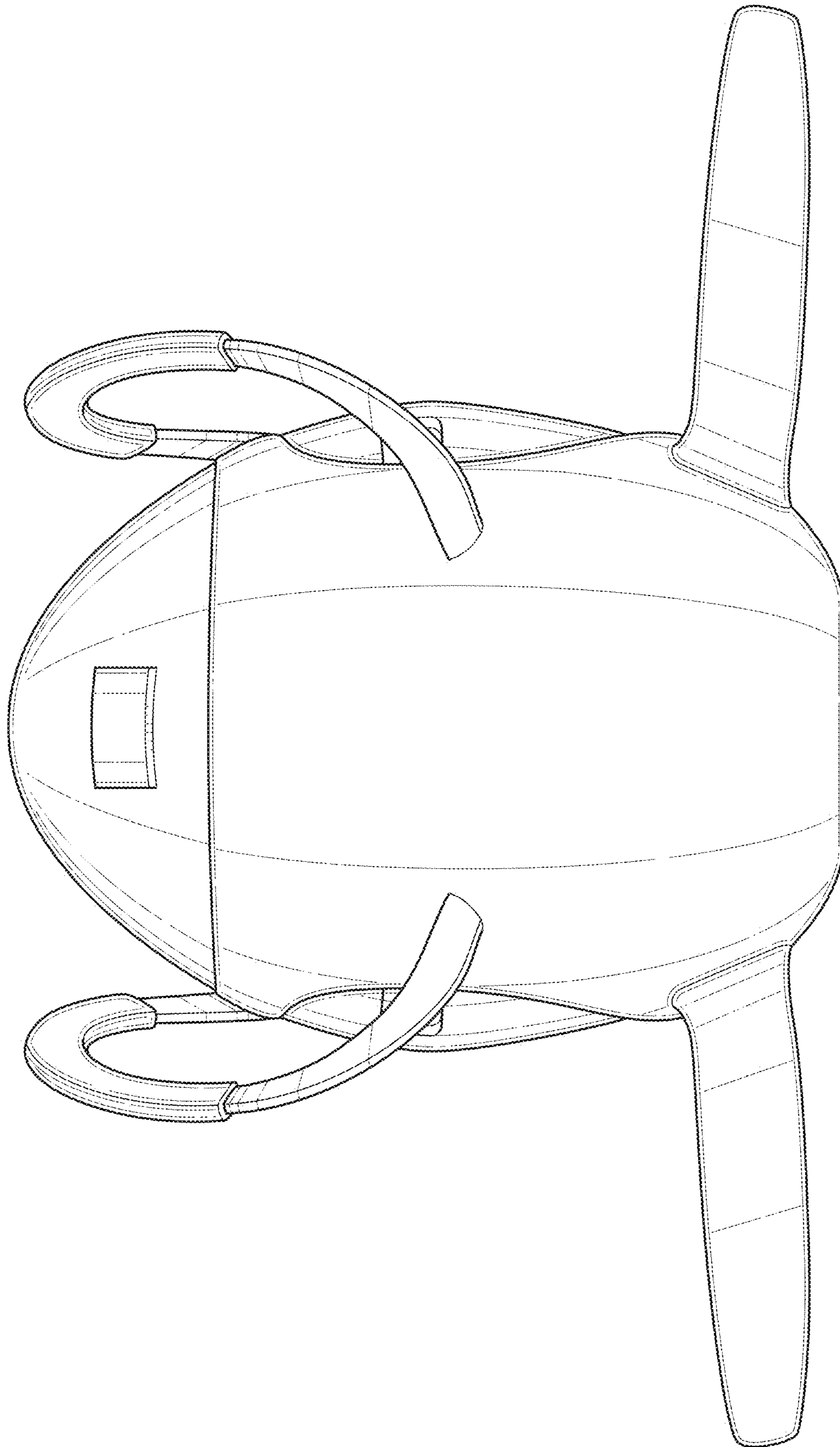


FIG. 3

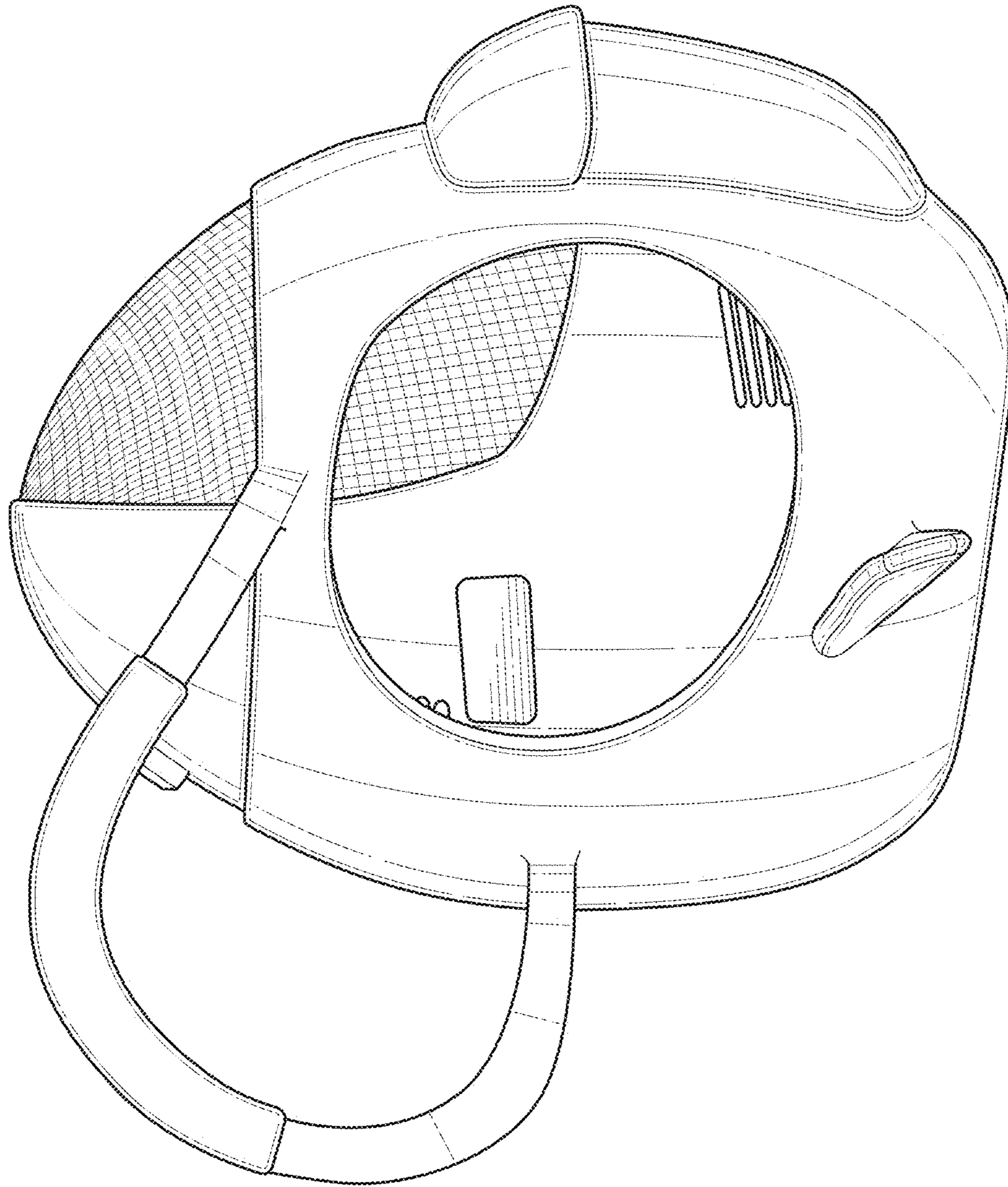


FIG. 4

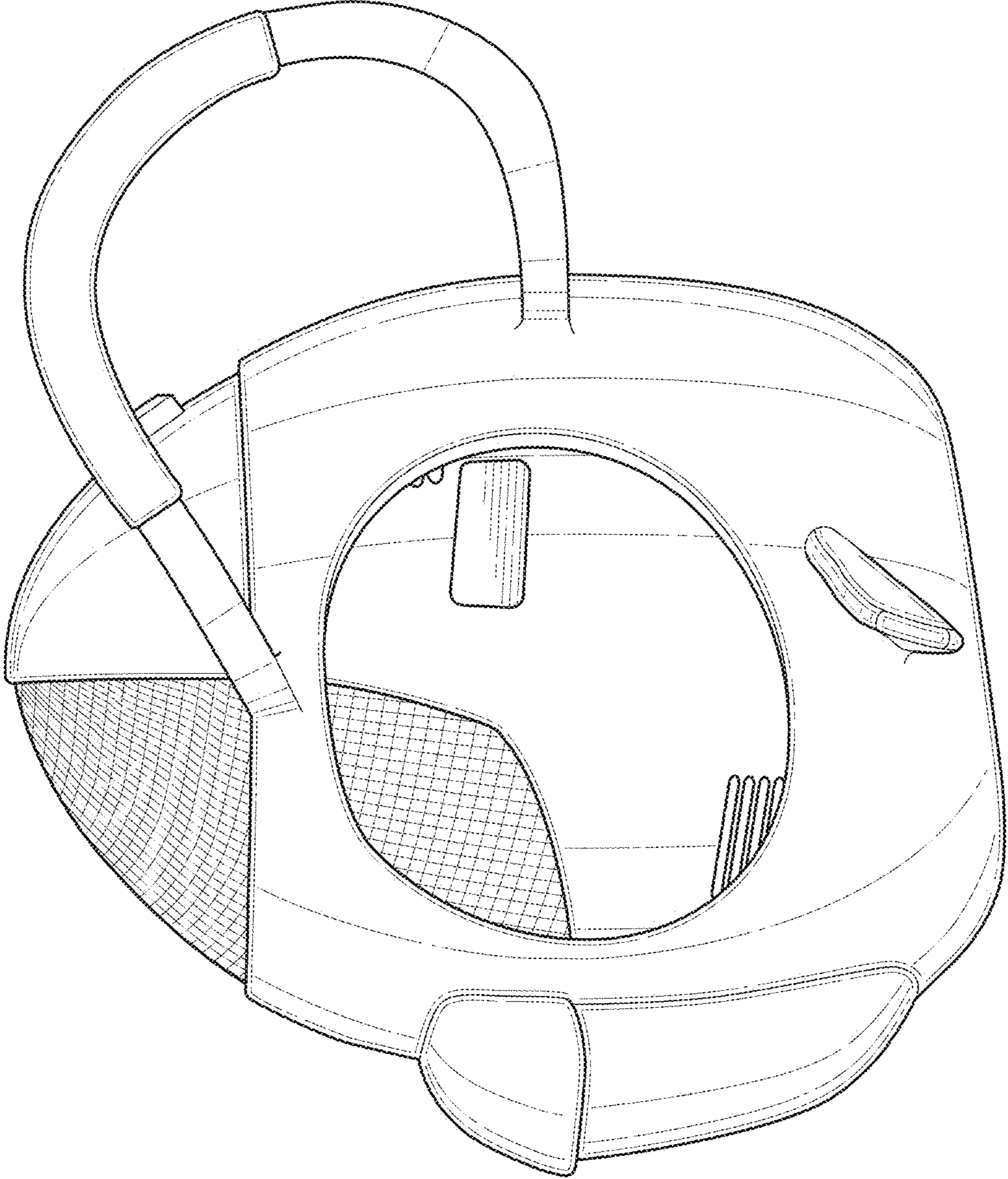


FIG. 5

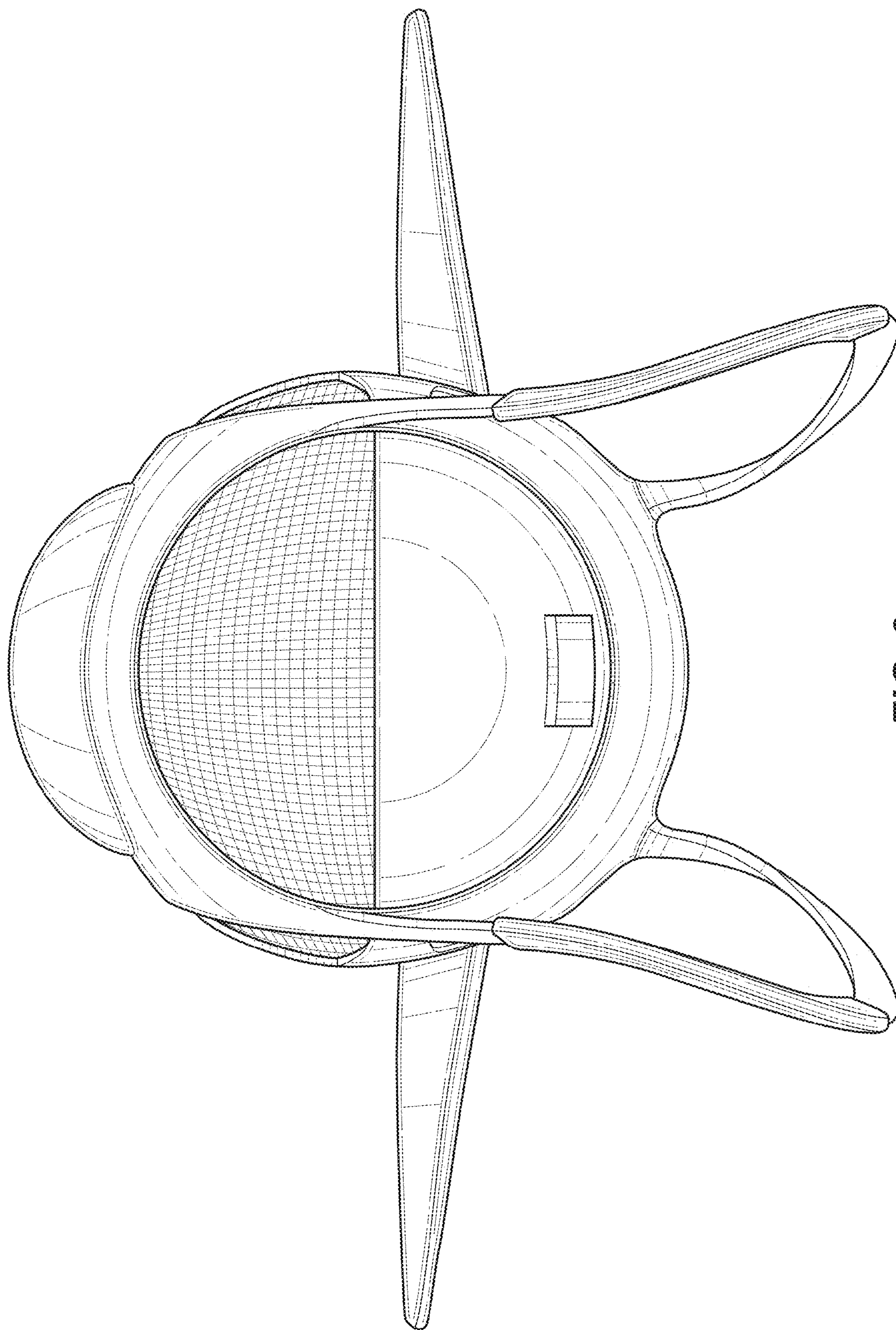


FIG. 6

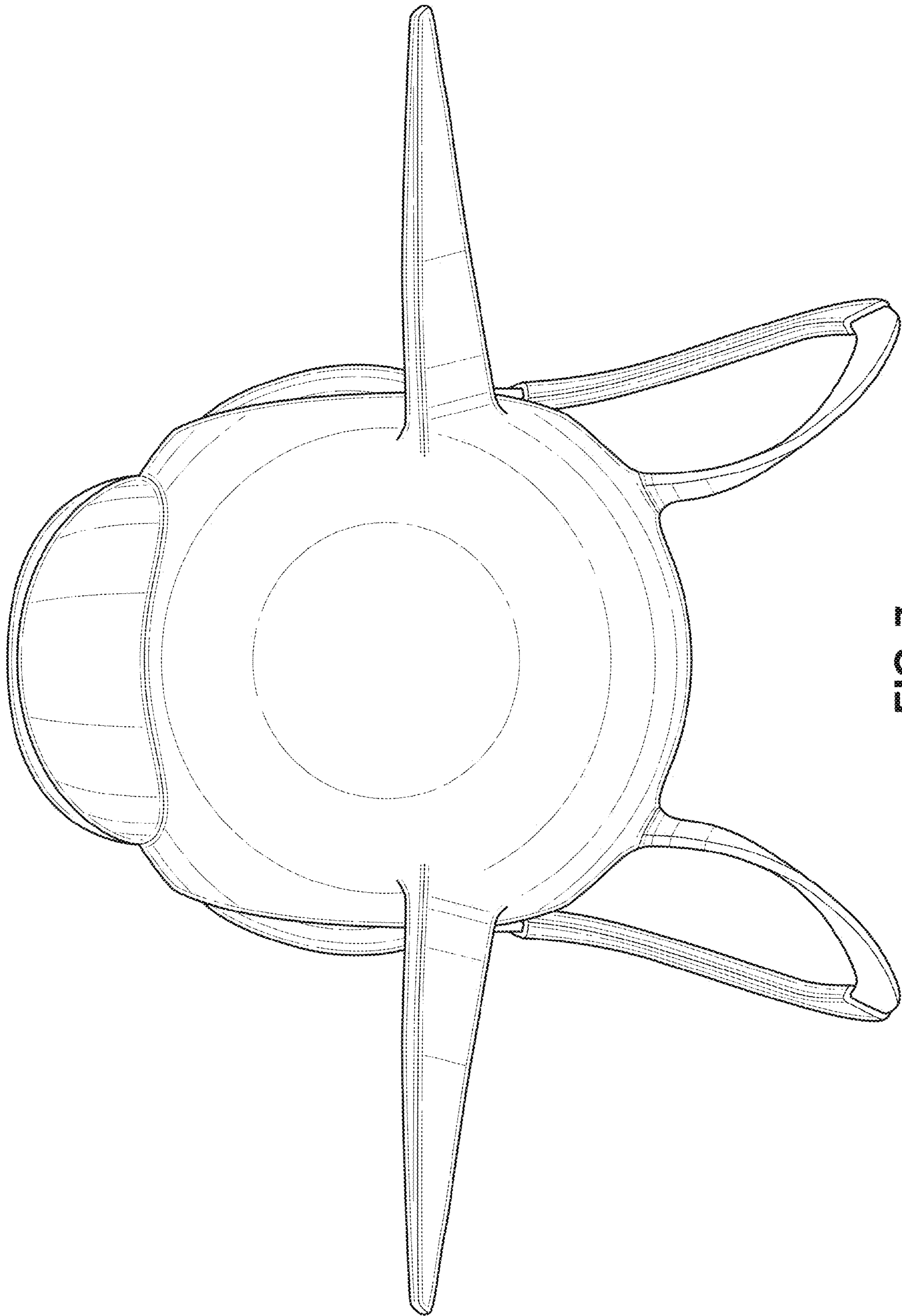


FIG. 7