



US00D870452S

(12) **United States Design Patent** (10) **Patent No.:** **US D870,452 S**
Bedell (45) **Date of Patent:** **** Dec. 24, 2019**

(54) **OXYGEN CANNULA PROTECTOR**
(71) Applicant: **Barbara Bedell**, Rio Vista, CA (US)
(72) Inventor: **Barbara Bedell**, Rio Vista, CA (US)
(**) Term: **15 Years**
(21) Appl. No.: **29/662,956**
(22) Filed: **Sep. 11, 2018**
(51) **LOC (12) Cl.** **03-01**
(52) **U.S. Cl.**
USPC **D3/203.1**
(58) **Field of Classification Search**
USPC D3/201, 203.1, 203.3, 203.6, 203.7, 216,
D3/217, 267, 285, 287, 289, 301
CPC .. A45C 3/08; A45C 3/06; A45C 13/08; A45C
13/02; A45C 7/0086; A45C 3/00; A45C
13/26; A45F 3/04; A45F 3/02
See application file for complete search history.

D740,019 S * 10/2015 Hynek D3/205
D749,846 S * 2/2016 Koeniger D3/294
D784,015 S * 4/2017 Woodhouse D3/276
D829,213 S * 9/2018 Szeremeta D14/432
D839,583 S * 2/2019 Cao D3/201
D840,146 S * 2/2019 Hauss D3/203.3
D854,814 S * 7/2019 Kietzmann D3/203.3

* cited by examiner

Primary Examiner — Mark A Goodwin
Assistant Examiner — Benjamin M Weeks
(74) *Attorney, Agent, or Firm* — Sanchelima &
Associates, P.A.; Christian Sanchelima; Jesus Sanchelima

(57) **CLAIM**

The ornamental design for oxygen cannula protector, as shown and described.

DESCRIPTION

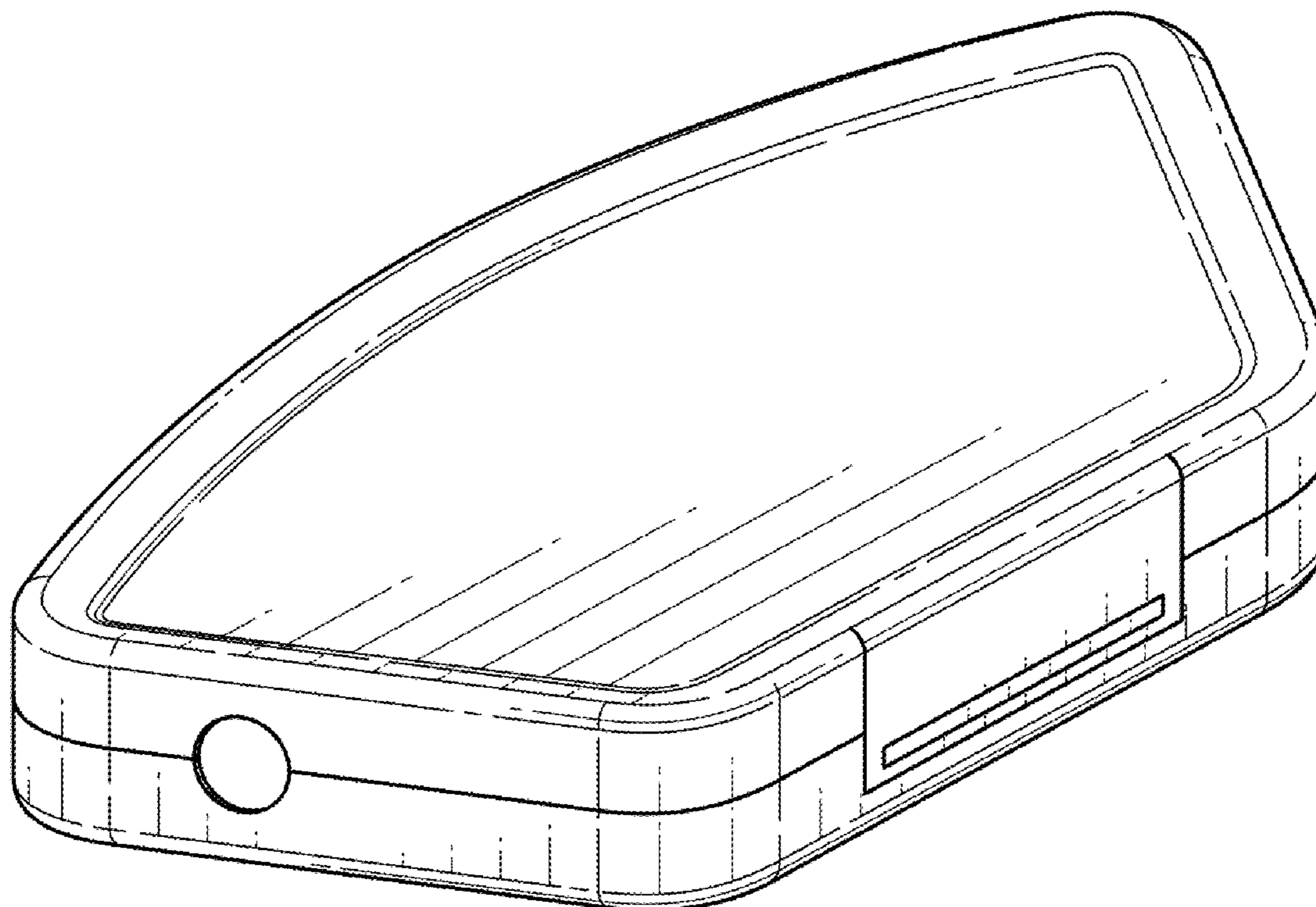
FIG. 1 is an isometric top view of a oxygen cannula protector showing my new design;
FIG. 2 is a front view thereof;
FIG. 3 is a rear view thereof;
FIG. 4 is a left side view thereof;
FIG. 5 is a right side view thereof;
FIG. 6 is a top view thereof;
FIG. 7 is a bottom view thereof; and,
FIG. 8 is an isometric top view of my design in the open position.
The broken line showing of the cannula is environmental only and forms no part of the claimed design.

(56) **References Cited**

U.S. PATENT DOCUMENTS

D144,743 S * 5/1946 Sussman D9/423
D305,281 S * 1/1990 Chen D28/76
4,964,526 A * 10/1990 Stephens A45C 11/24
132/315
D321,415 S * 11/1991 Chen D28/76
D510,187 S * 10/2005 Chan D3/247
D548,969 S * 8/2007 Bramley D21/394
D563,094 S * 3/2008 Meyer-Hayoz D3/203.1
D601,757 S * 10/2009 Sagel D28/83
D675,434 S * 2/2013 Vernall D3/294

1 Claim, 4 Drawing Sheets



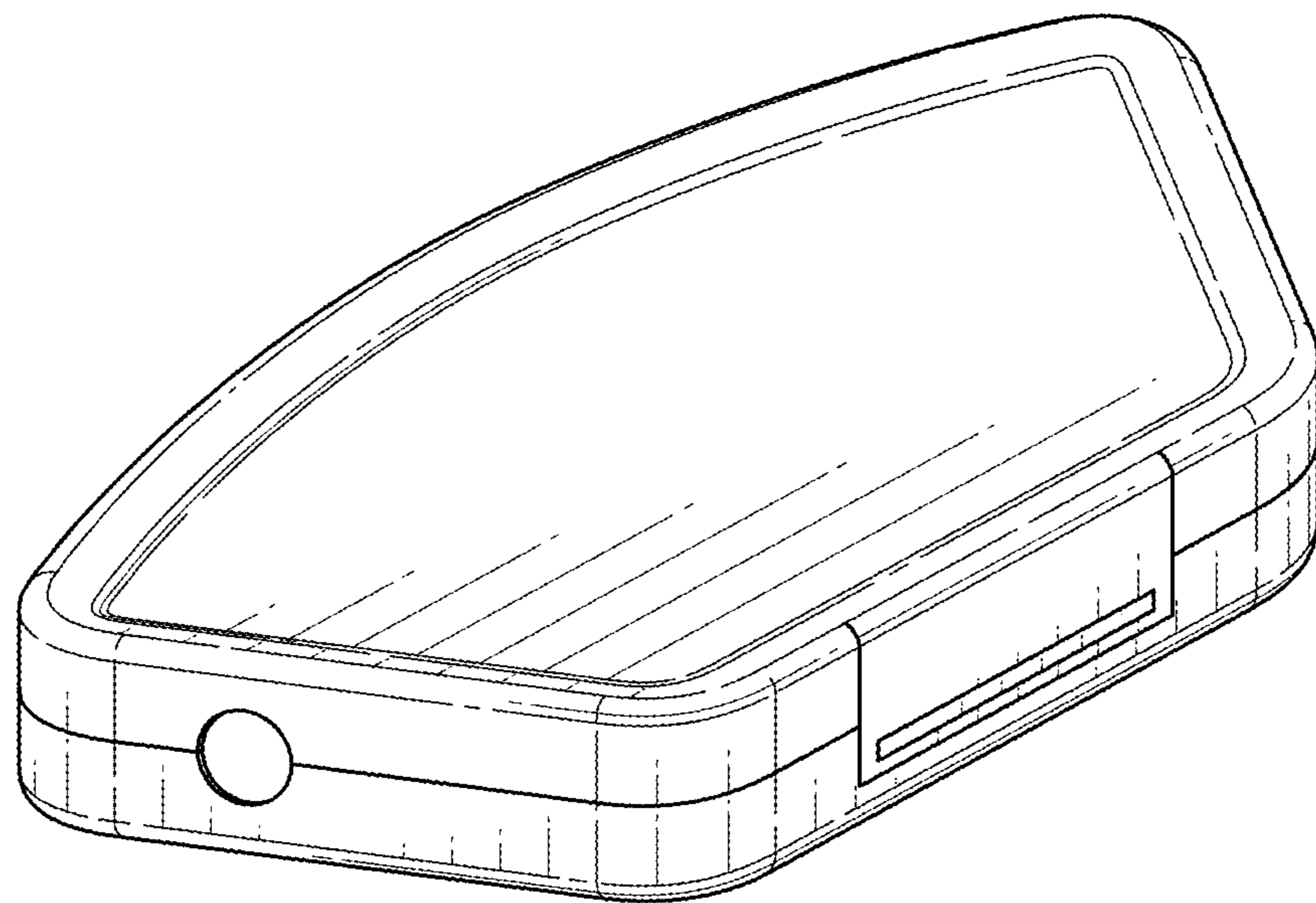


FIG. 1

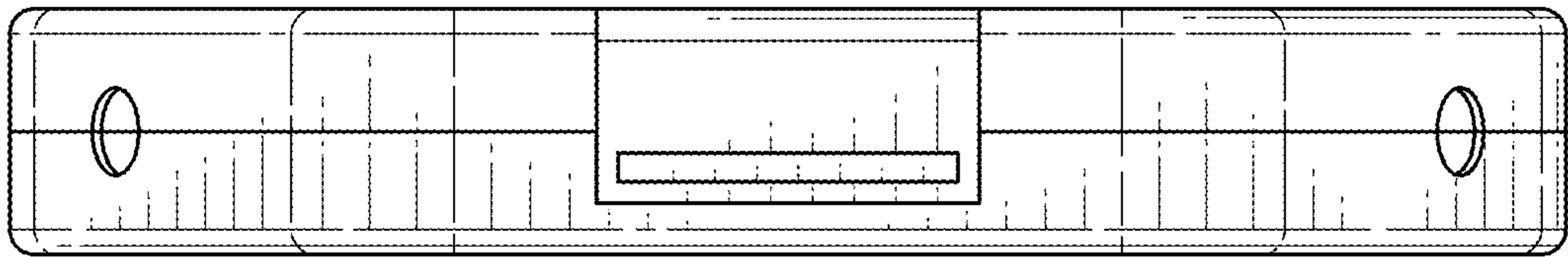


FIG. 2

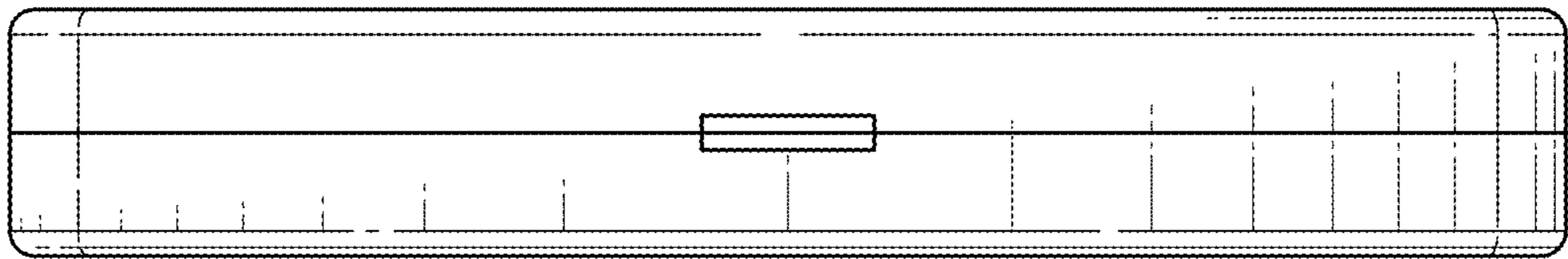


FIG. 3

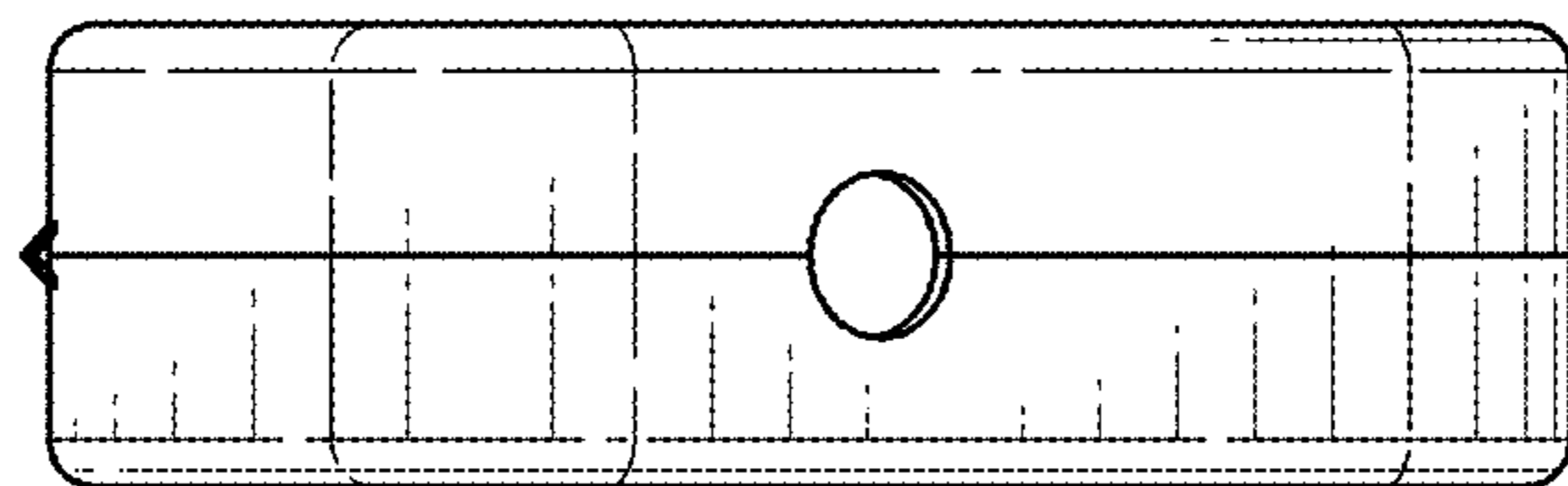


FIG. 4

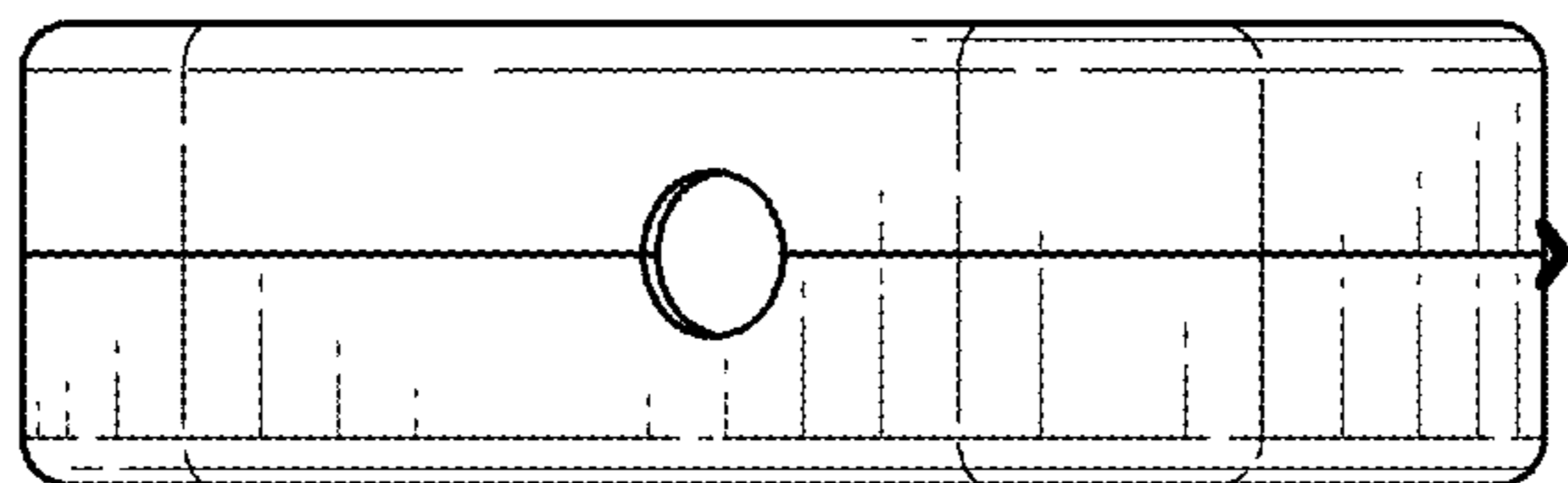


FIG. 5

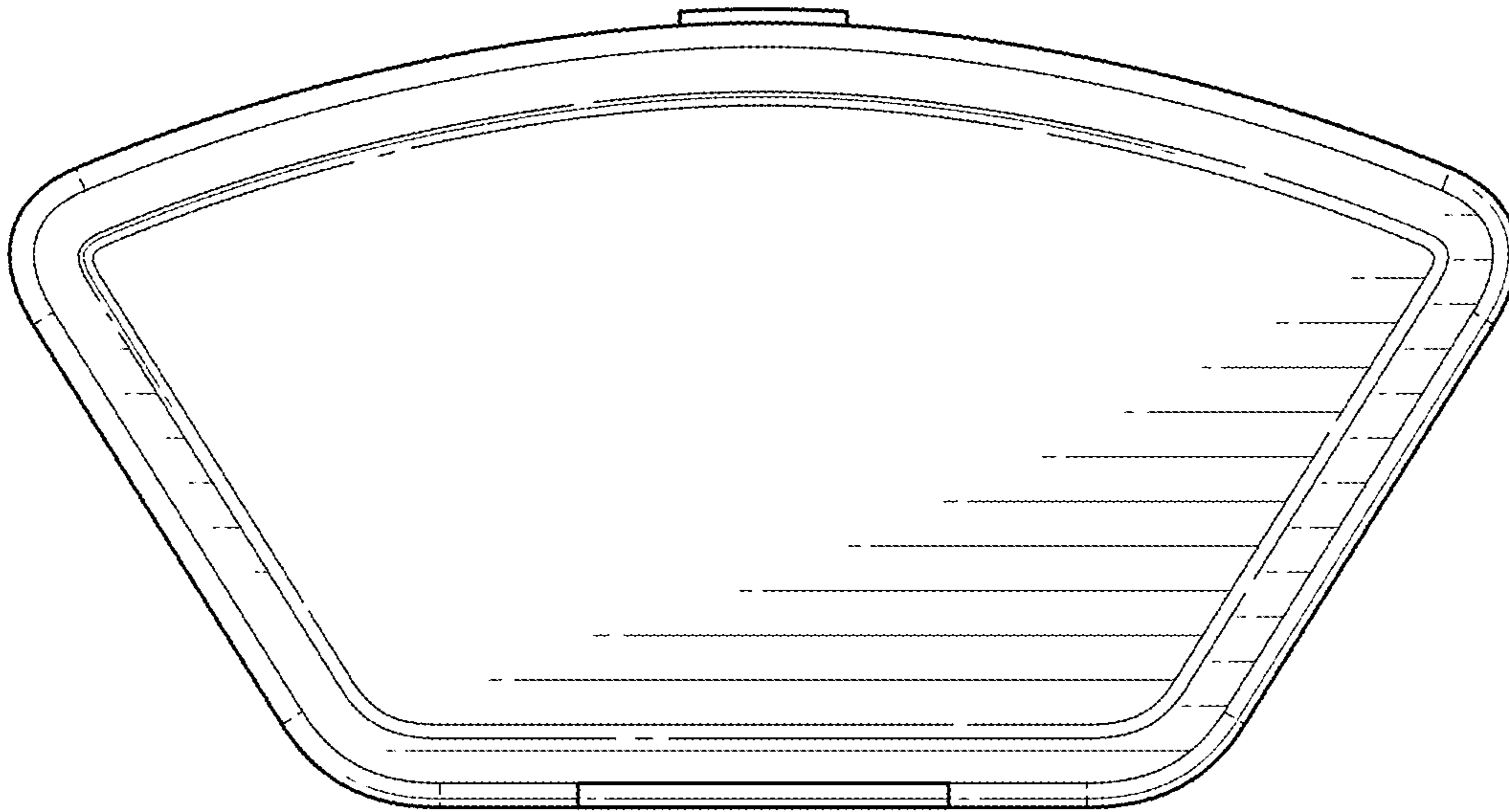


FIG. 6

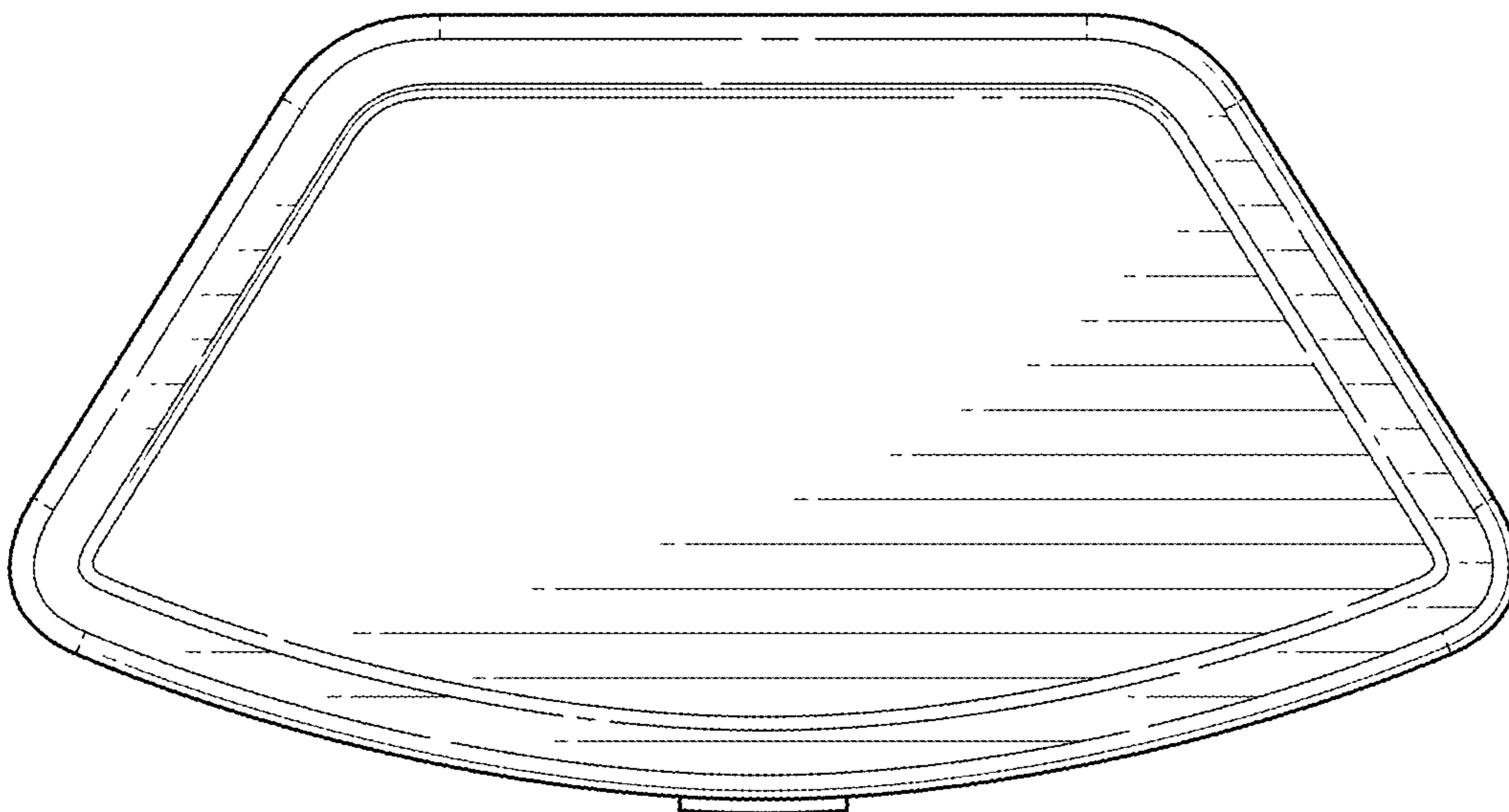


FIG. 7

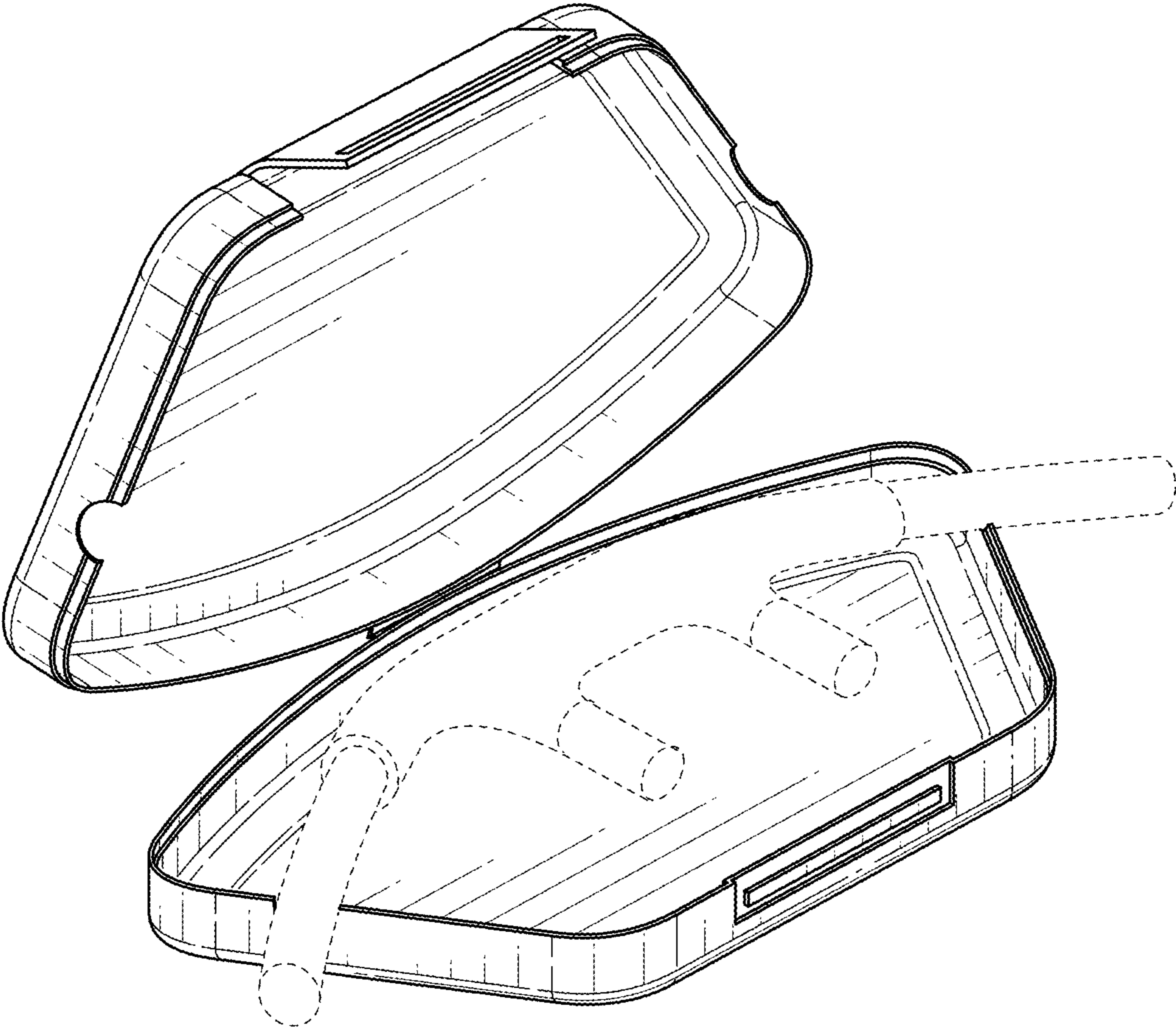


FIG. 8