



US00D870450S

(12) **United States Design Patent** (10) **Patent No.:** **US D870,450 S**  
**Albright et al.** (45) **Date of Patent:** **\*\* Dec. 24, 2019**

(54) **CONTAINER FOR DEFIBRILLATOR PADS**

(74) *Attorney, Agent, or Firm* — Lane Powell PC

(71) Applicant: **PHYSIO-CONTROL, INC.**, Redmond, WA (US)

(57) **CLAIM**

The ornamental design for a container for defibrillator pads, as shown and described.

(72) Inventors: **Ethan Albright**, Mill Creek, WA (US);  
**Peter Wesley Bristol**, Seattle, WA (US)

**DESCRIPTION**

(73) Assignee: **PHYSIO-CONTROL, INC.**, Redmond, WA (US)

FIG. 1 is a top perspective view of the container for defibrillator pads in a closed condition.

(\*\*) Term: **15 Years**

FIG. 2 is a bottom perspective view of the container for defibrillator pads of FIG. 1.

(21) Appl. No.: **29/583,732**

FIG. 3 is a front view of the container for defibrillator pads of FIG. 1.

(22) Filed: **Nov. 8, 2016**

FIG. 4 is a rear view of the container for defibrillator pads of FIG. 1.

**Related U.S. Application Data**

FIG. 5 is a right side view of the container for defibrillator pads of FIG. 1.

(60) Continuation of application No. 15/046,778, filed on Feb. 18, 2016, now Pat. No. 9,533,139, which is a (Continued)

FIG. 6 is a left side view of the container for defibrillator pads of FIG. 1.

(51) **LOC (12) Cl.** ..... **03-01**

FIG. 7 is a top view of the container for defibrillator pads of FIG. 1.

(52) **U.S. Cl.**  
USPC ..... **D3/200**

FIG. 8 is a bottom view of the container for defibrillator pads of FIG. 1.

(58) **Field of Classification Search**  
USPC ..... D3/201, 203.1, 203.3, 203.6, 205, 218, D3/272–273, 294–295, 301, 319; D28/83 (Continued)

FIG. 9 is a top perspective view of the container for defibrillator pads in an open condition.

FIG. 10 is a bottom perspective view of the container for defibrillator pads of FIG. 9.

(56) **References Cited**

**U.S. PATENT DOCUMENTS**

FIG. 11 is a front view of the container for defibrillator pads of FIG. 9.

FIG. 12 is a rear view of the container for defibrillator pads of FIG. 9.

8,433,407 B2 \* 4/2013 Chapman ..... A61N 1/39 607/7  
8,527,044 B2 \* 9/2013 Edwards ..... A61N 1/3993 607/5

FIG. 13 is a right side view of the container for defibrillator pads of FIG. 9.

FIG. 14 is a left side view of the container for defibrillator pads of FIG. 9.

FIG. 15 is a top view of the container for defibrillator pads of FIG. 9; and,

FIG. 16 is a bottom view of the container for defibrillator pads of FIG. 9.

(Continued)

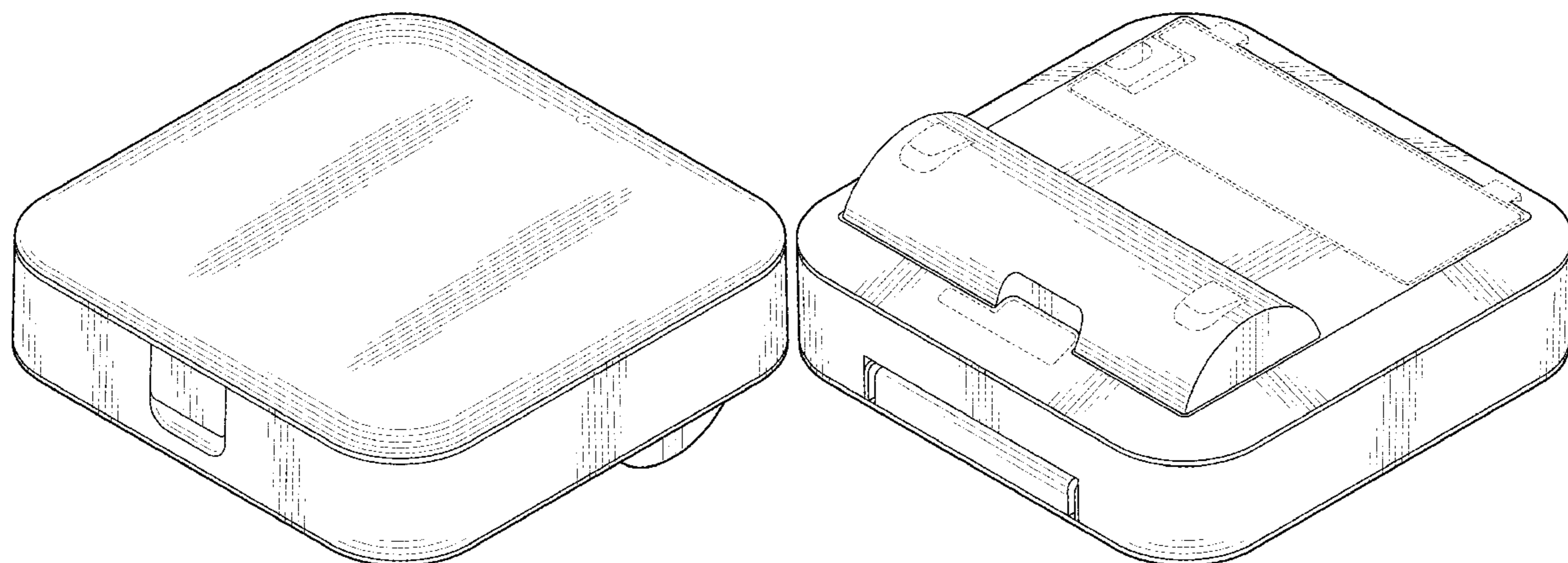
**FOREIGN PATENT DOCUMENTS**

EP 2691146 A0 5/2014  
WO 2012131536 A2 10/2012

The portions of the container for defibrillator pads shown in broken lines form no part of the claimed design.

*Primary Examiner* — Holly E Thurman

**1 Claim, 14 Drawing Sheets**



**Related U.S. Application Data**

division of application No. 14/458,090, filed on Aug. 12, 2014, now Pat. No. 9,289,590.

(58) **Field of Classification Search**

CPC ... A45C 11/16; A47F 7/03; A47F 7/02; A47G 23/06; A61B 2019/5208

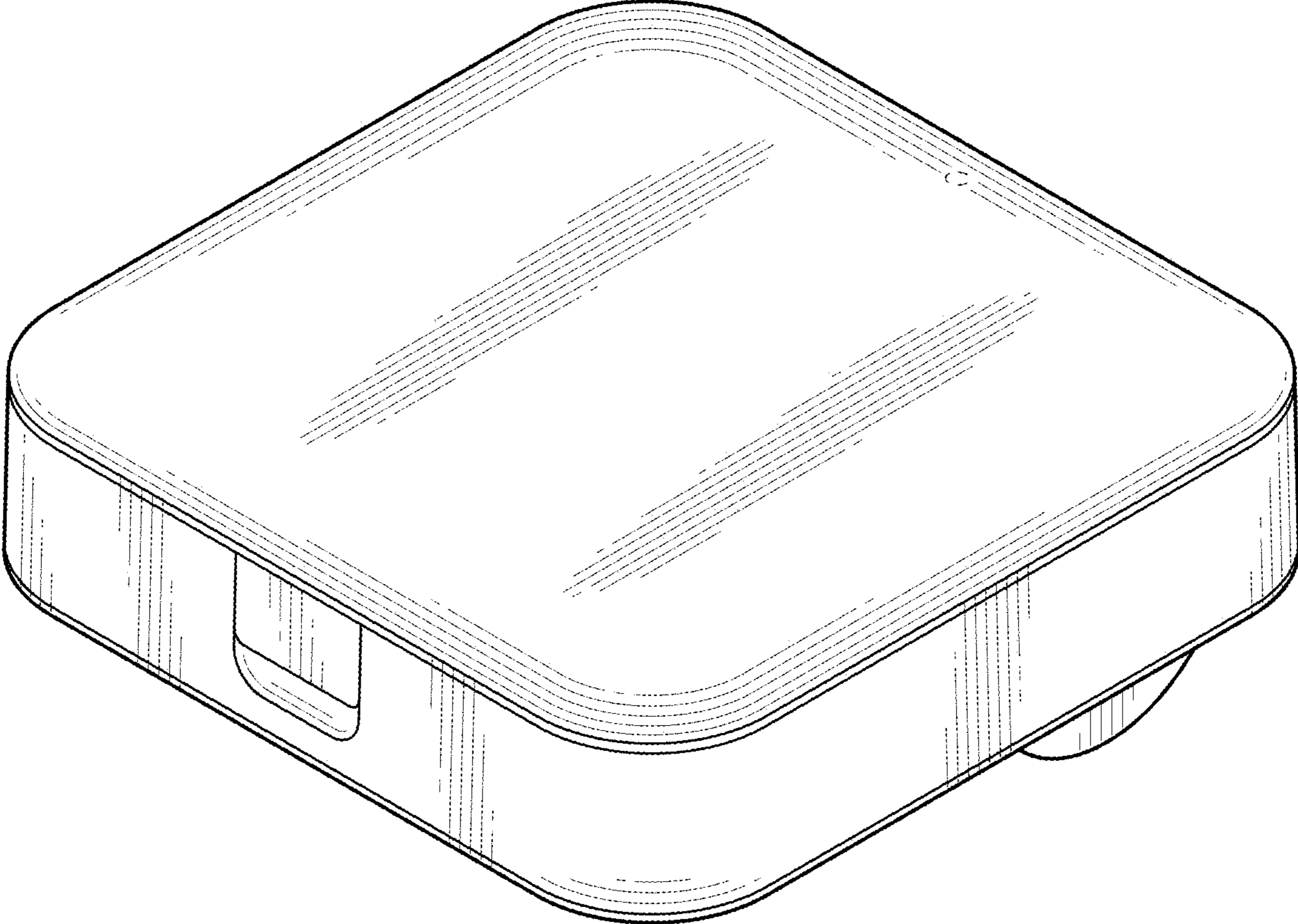
See application file for complete search history.

(56) **References Cited**

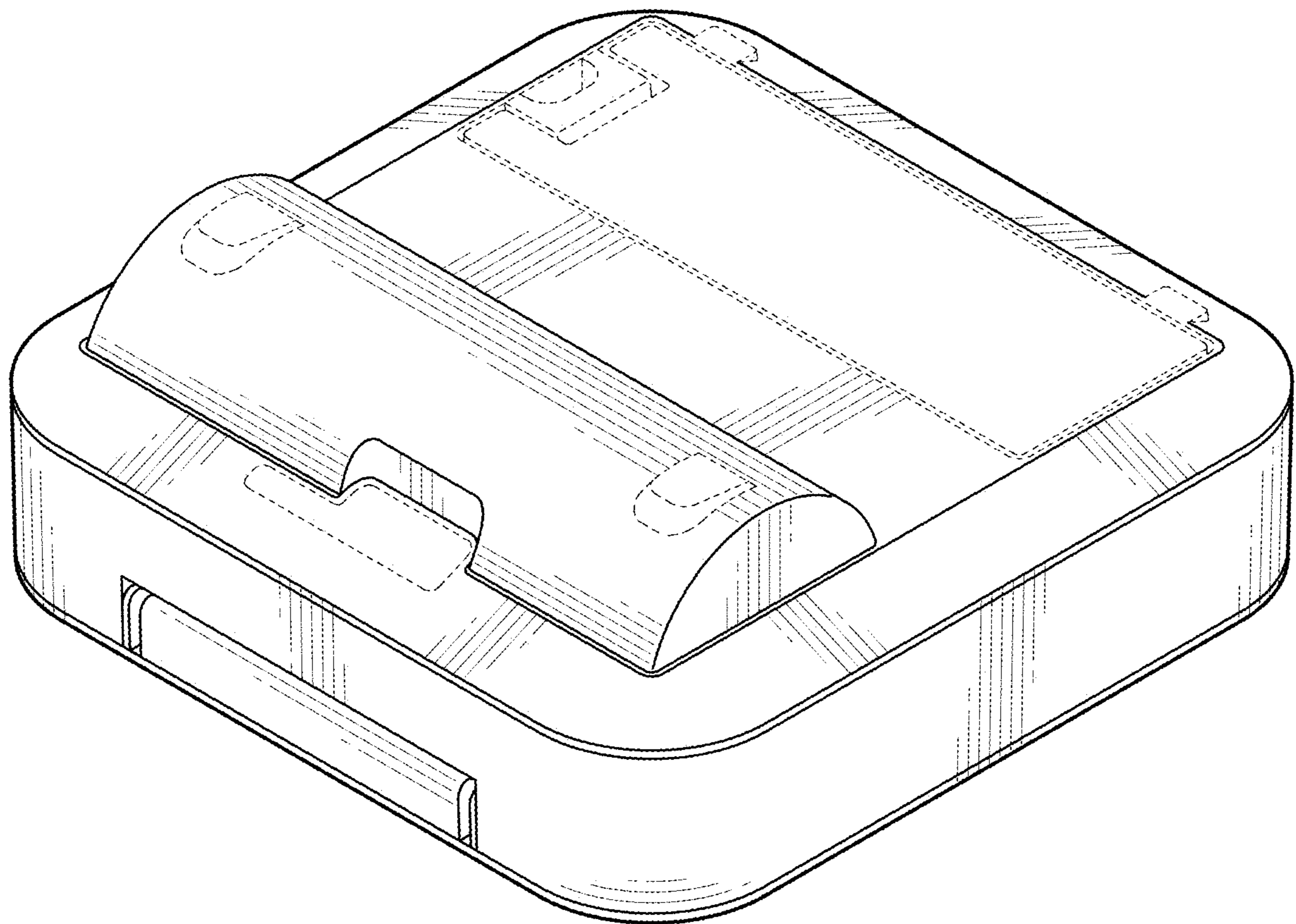
U.S. PATENT DOCUMENTS

2003/0167075	A1	9/2003	Fincke
2003/0216785	A1	11/2003	Edwards
2006/0025823	A1	2/2006	Jonsen
2011/0054553	A1	3/2011	Cordaro
2014/0012360	A1	1/2014	Griesser

\* cited by examiner



**FIG. 1**



**FIG. 2**

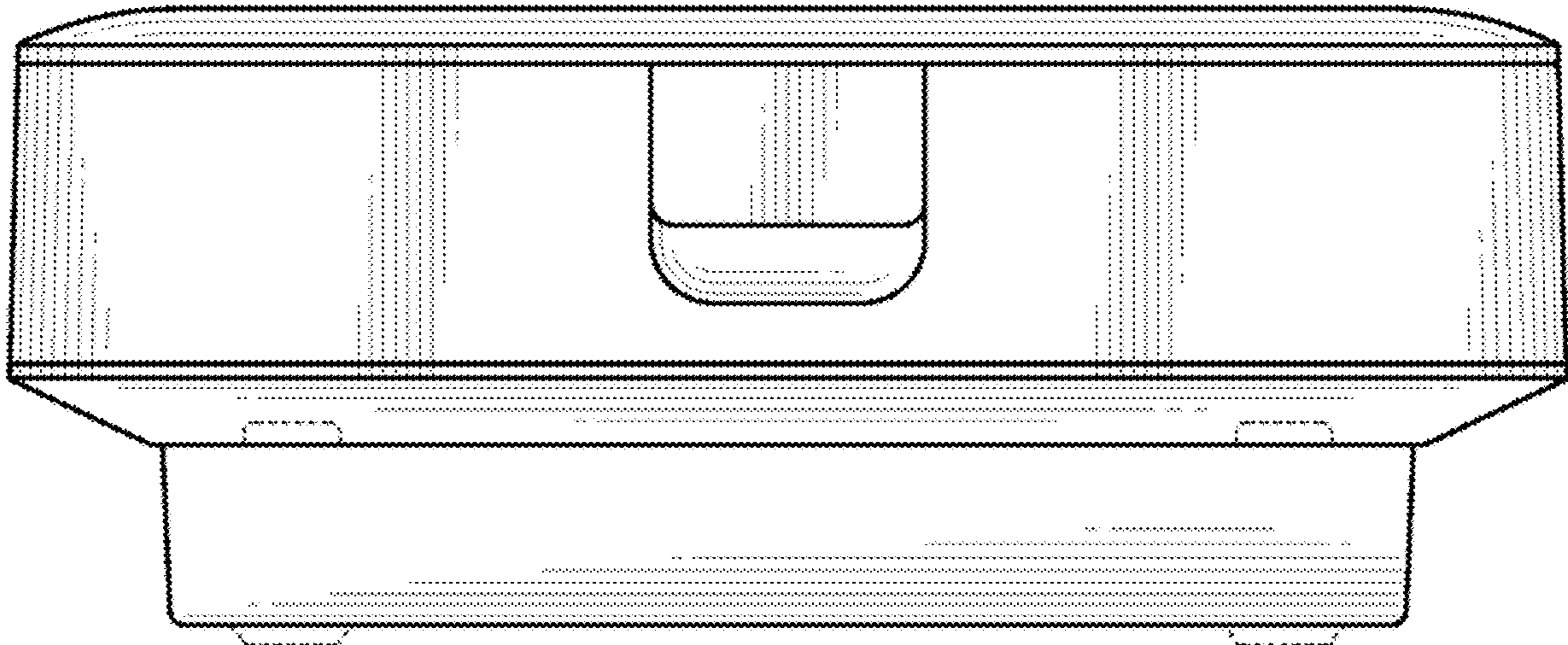


FIG. 3

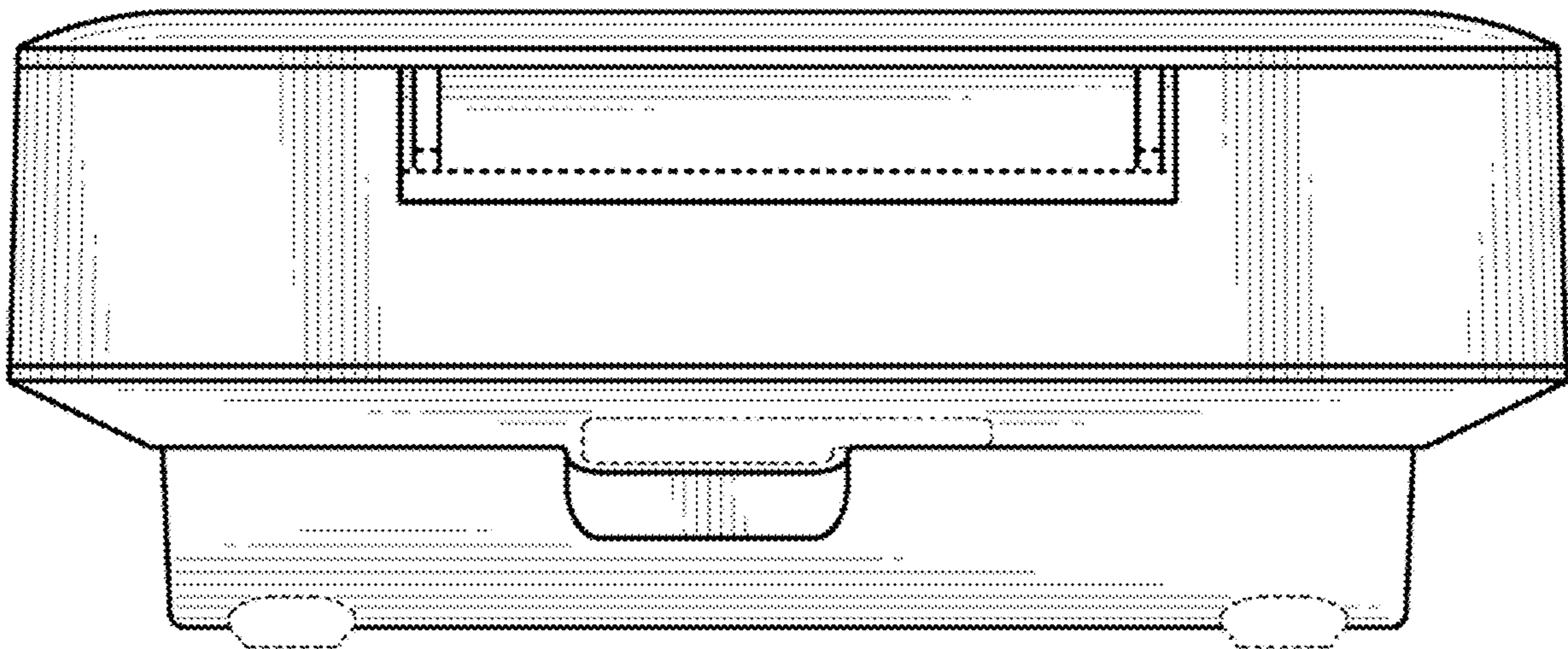
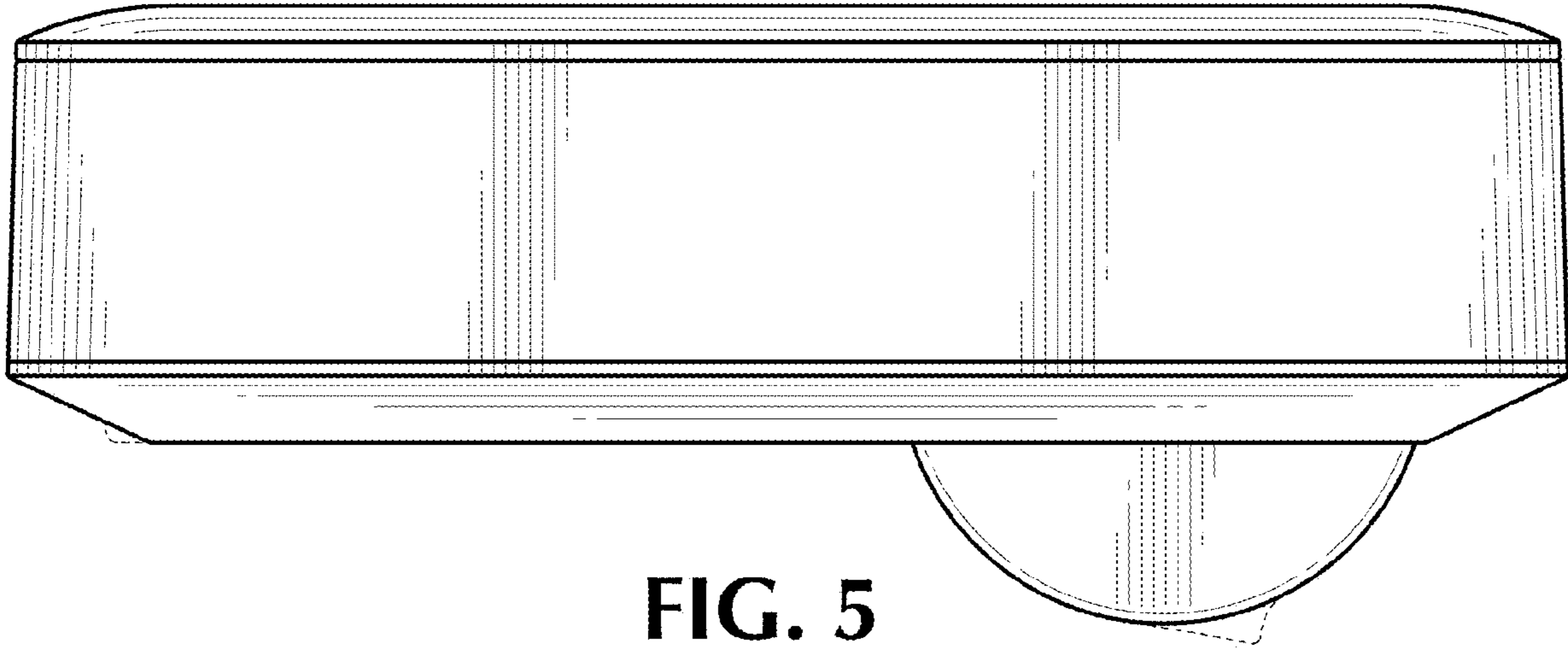
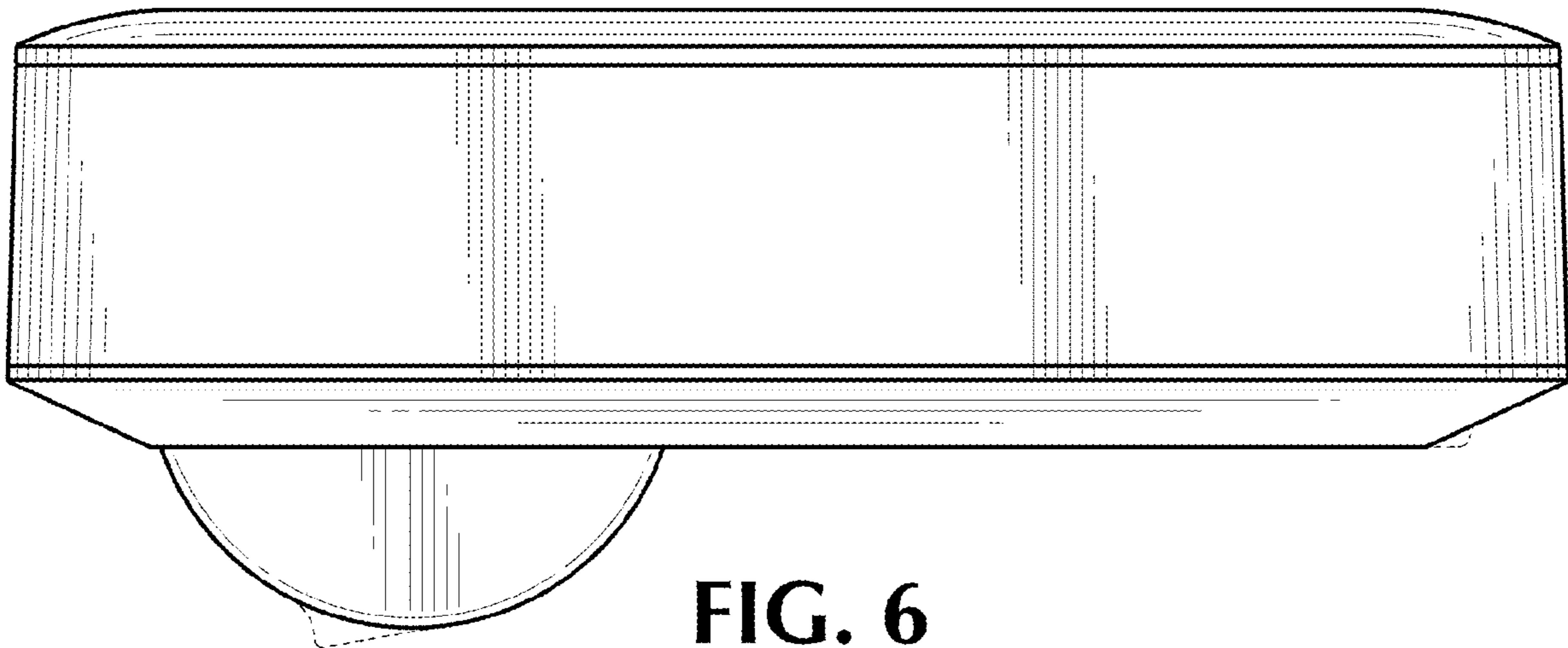


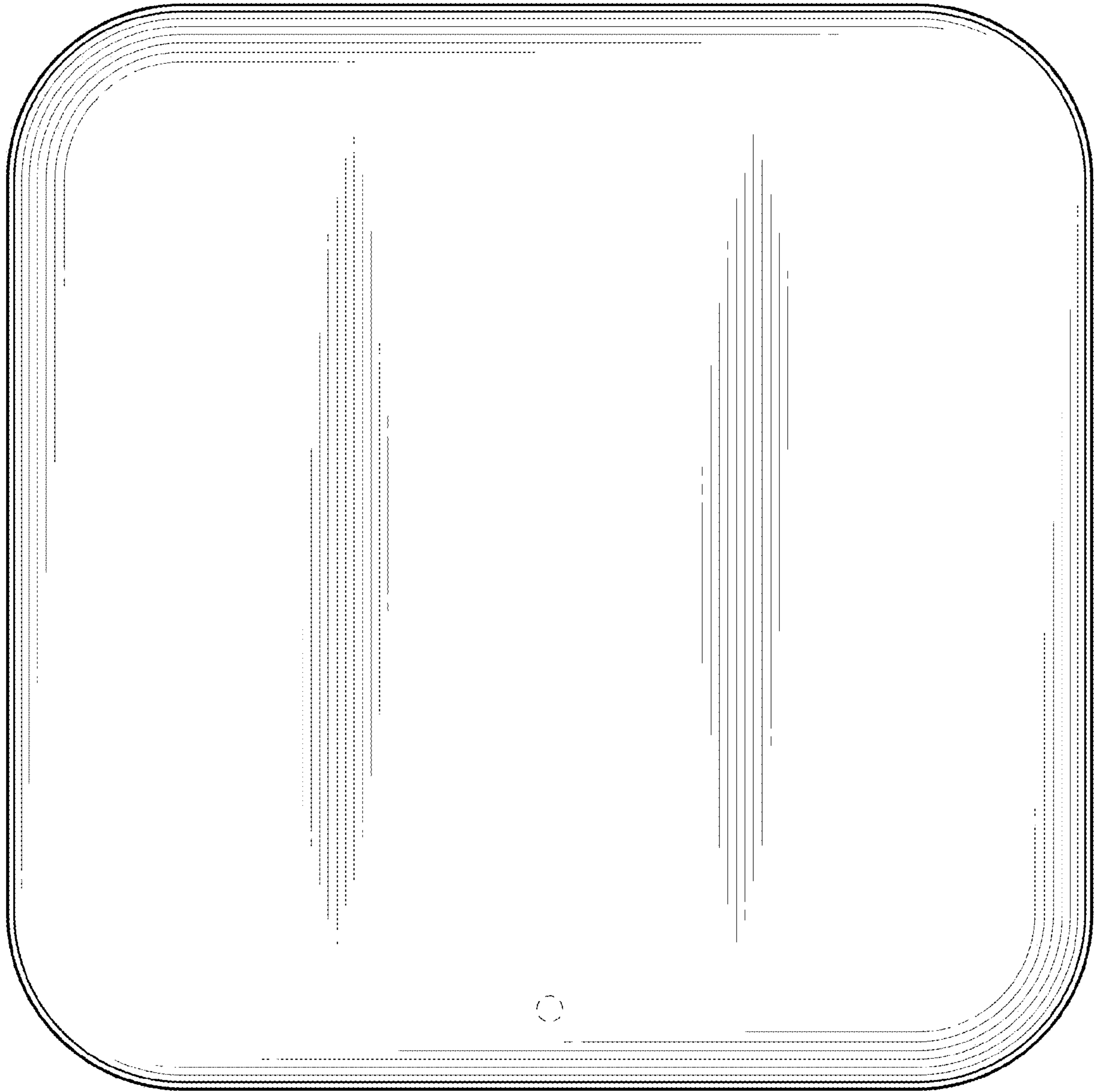
FIG. 4



**FIG. 5**



**FIG. 6**



**FIG. 7**

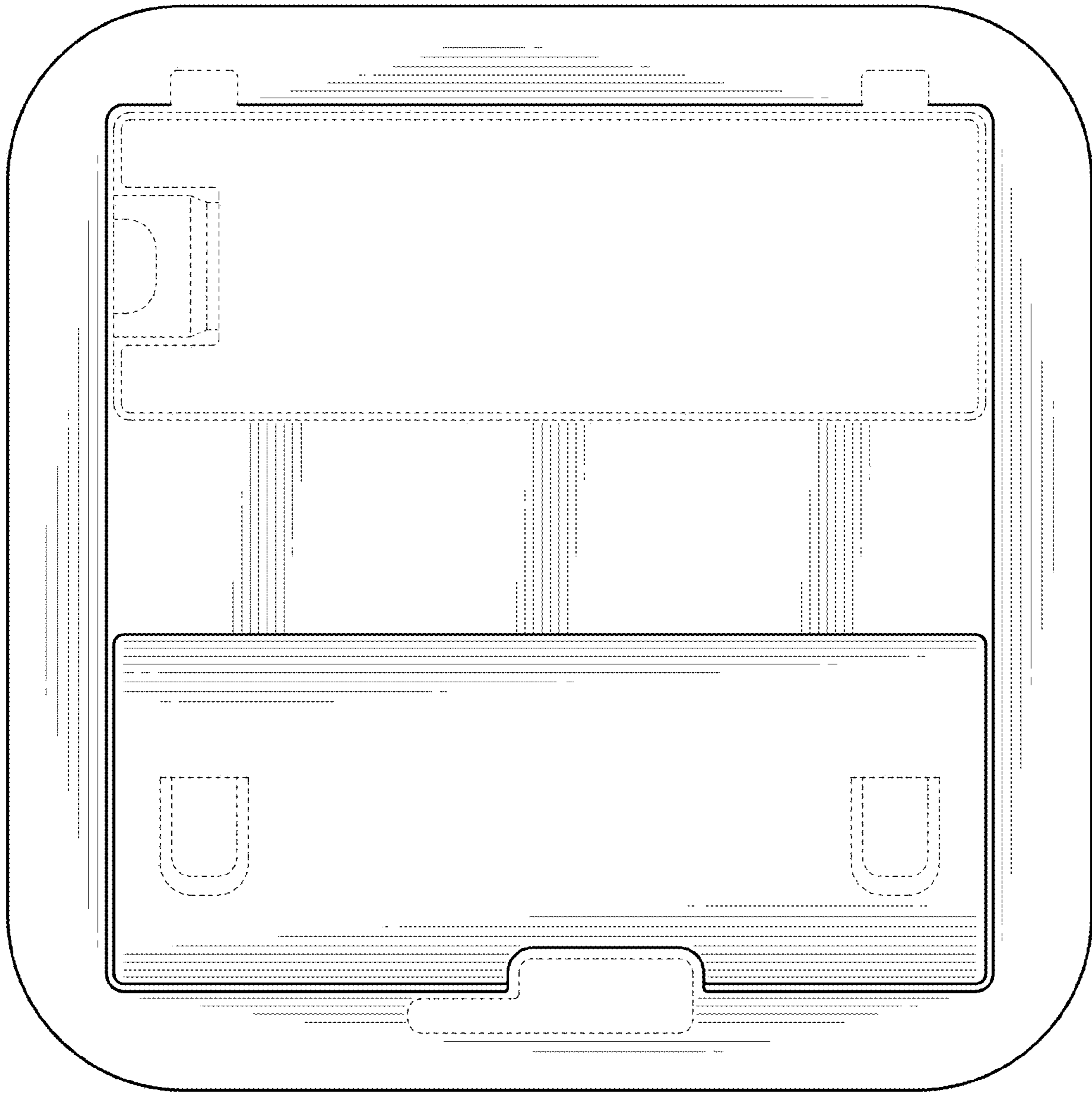
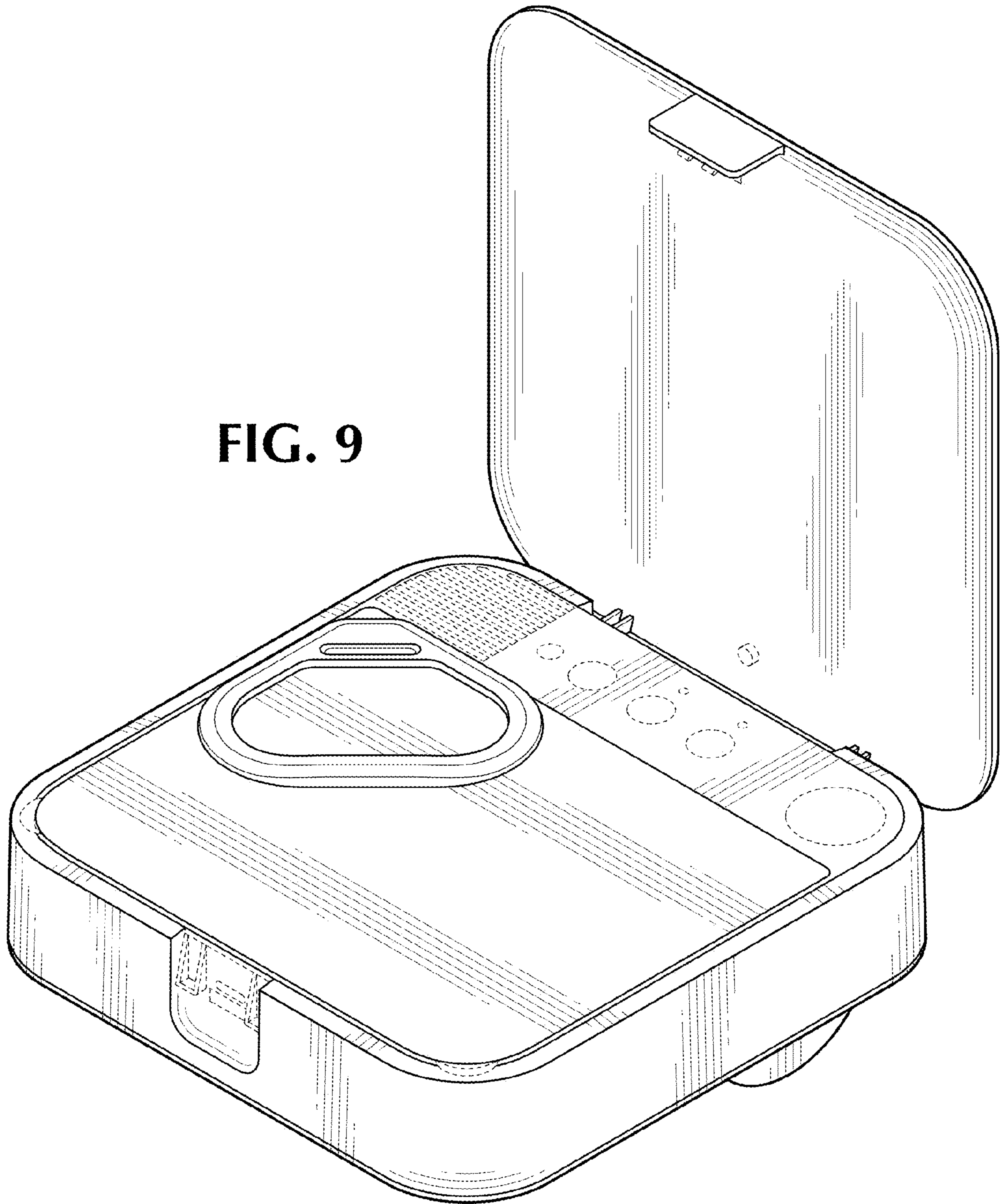
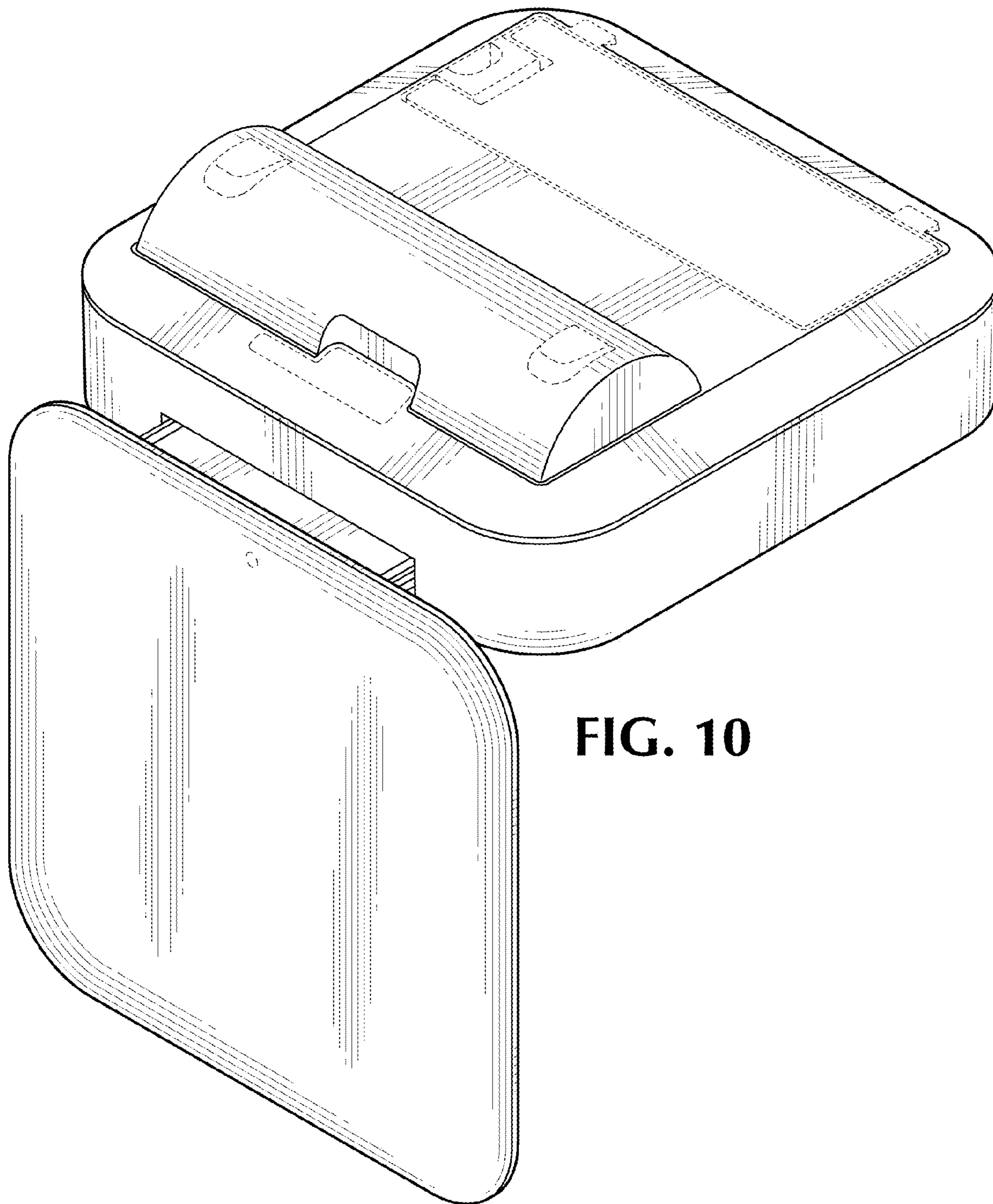


FIG. 8



**FIG. 9**





**FIG. 10**

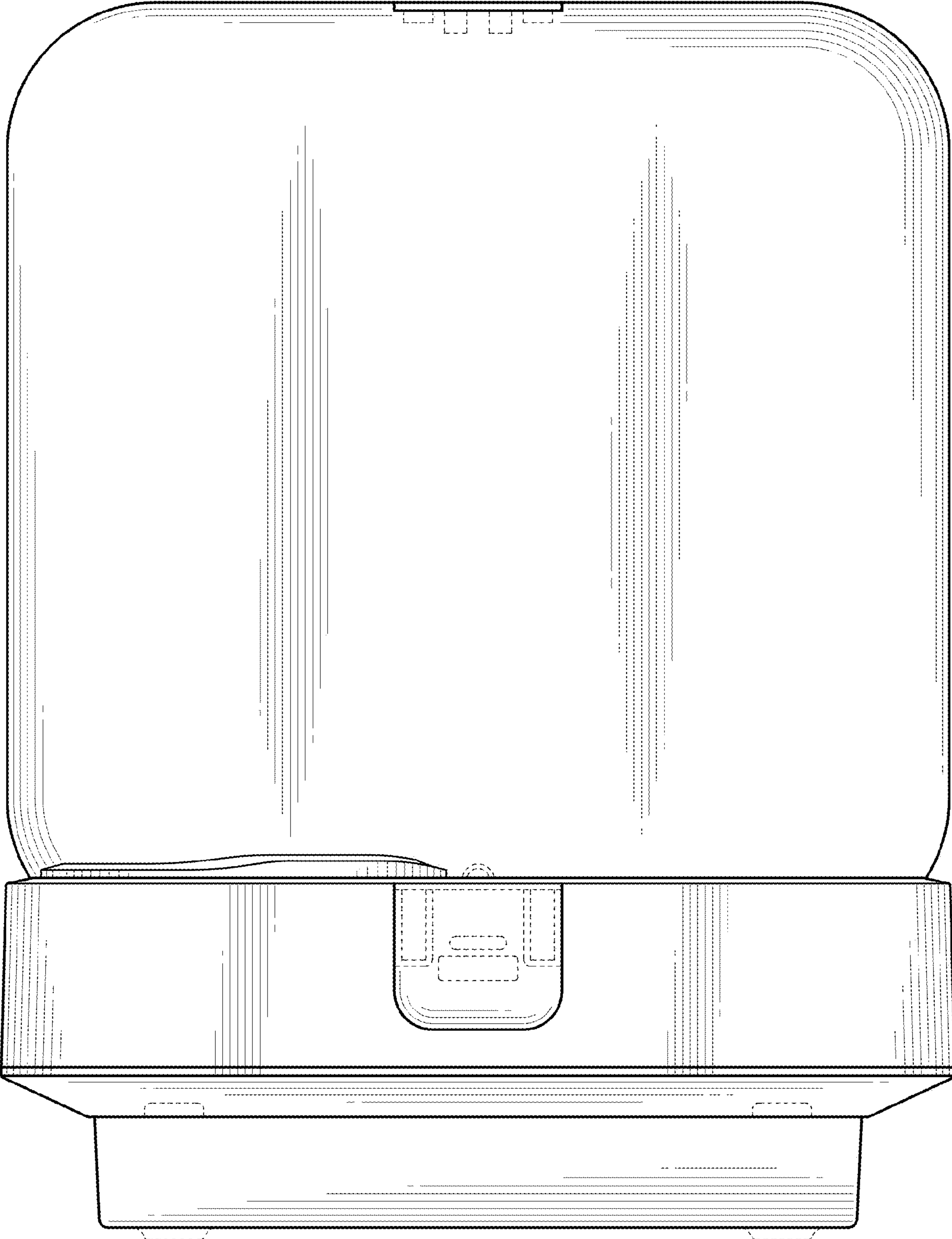


FIG. 11

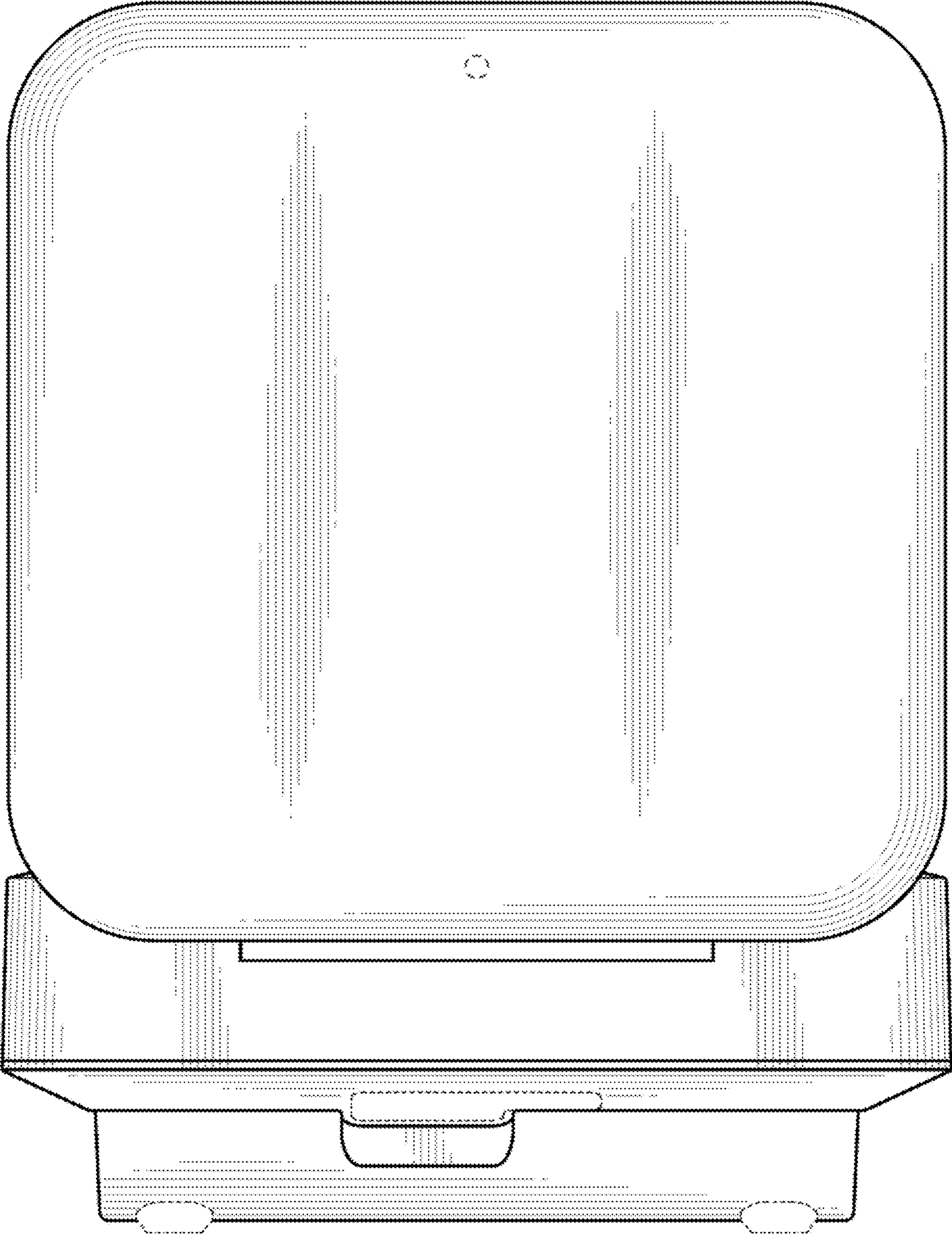
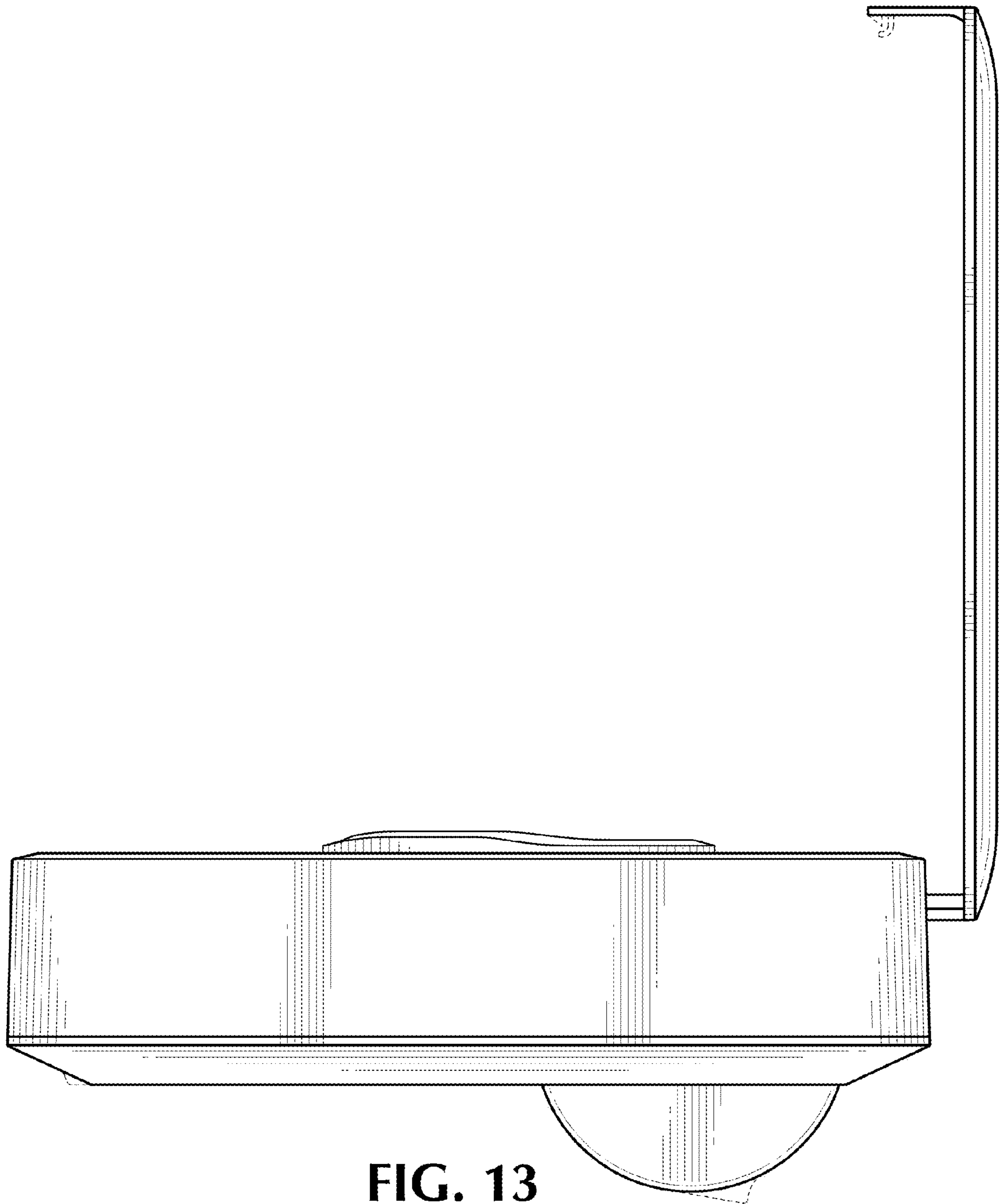
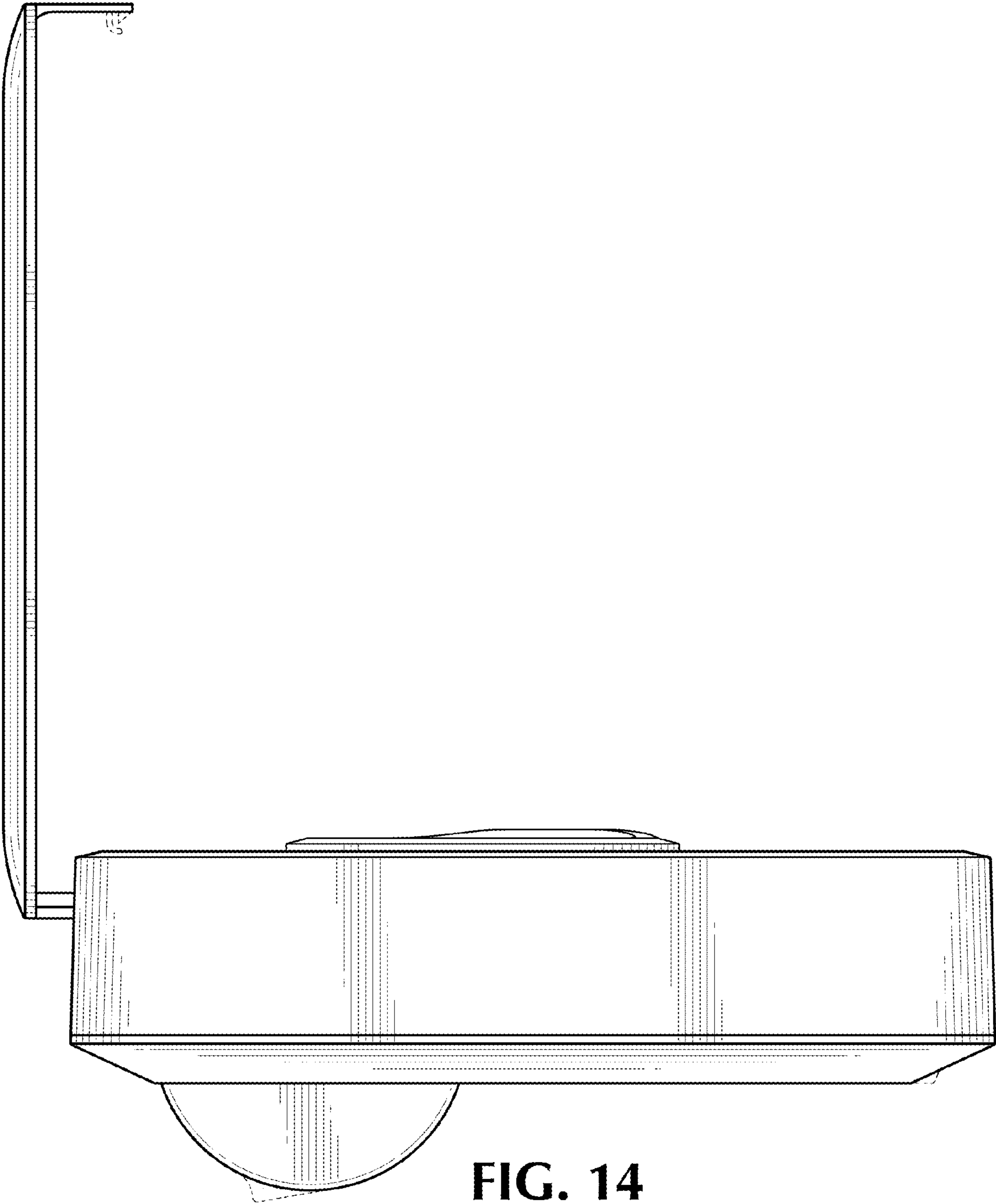


FIG. 12





**FIG. 14**

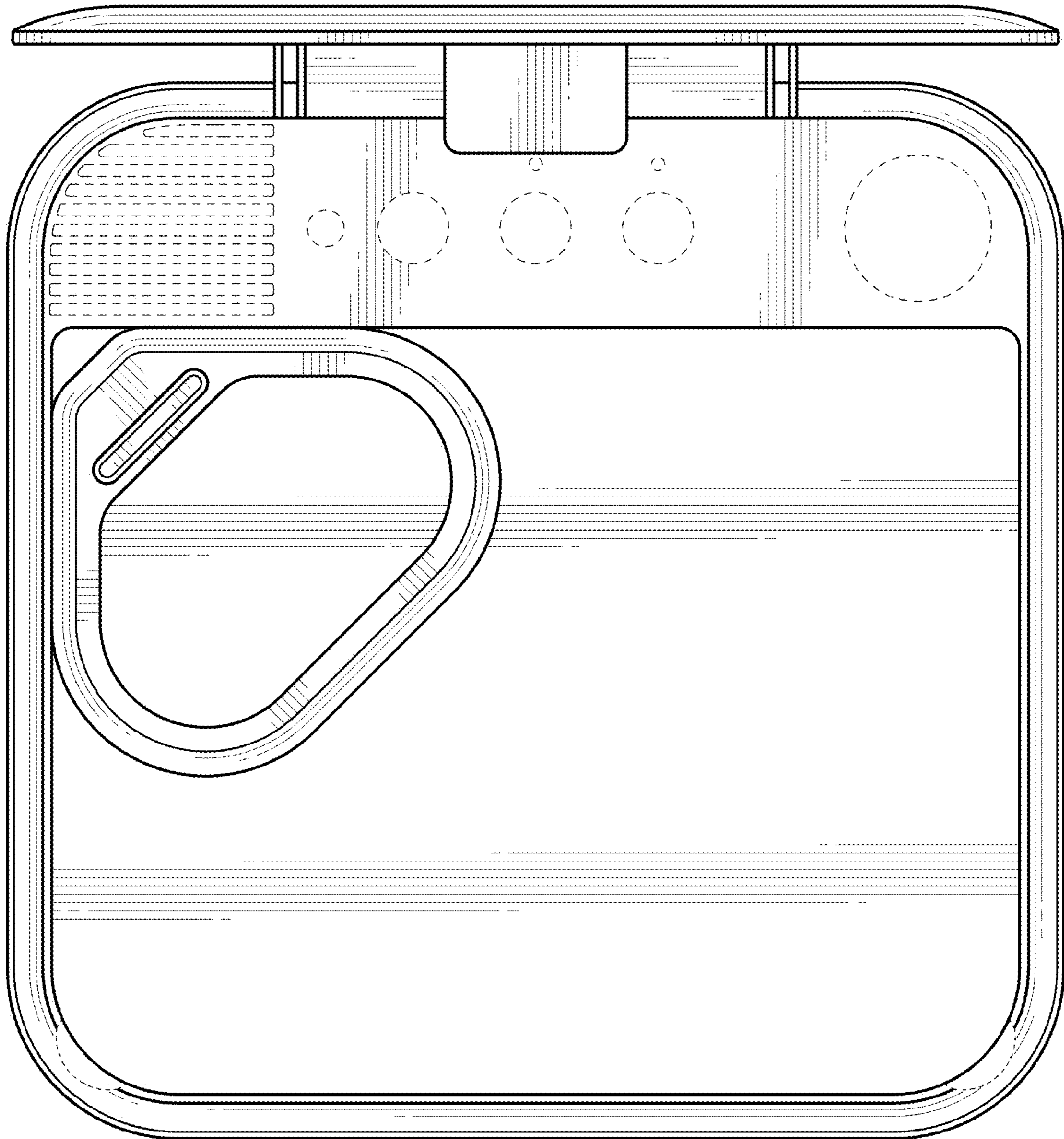


FIG. 15

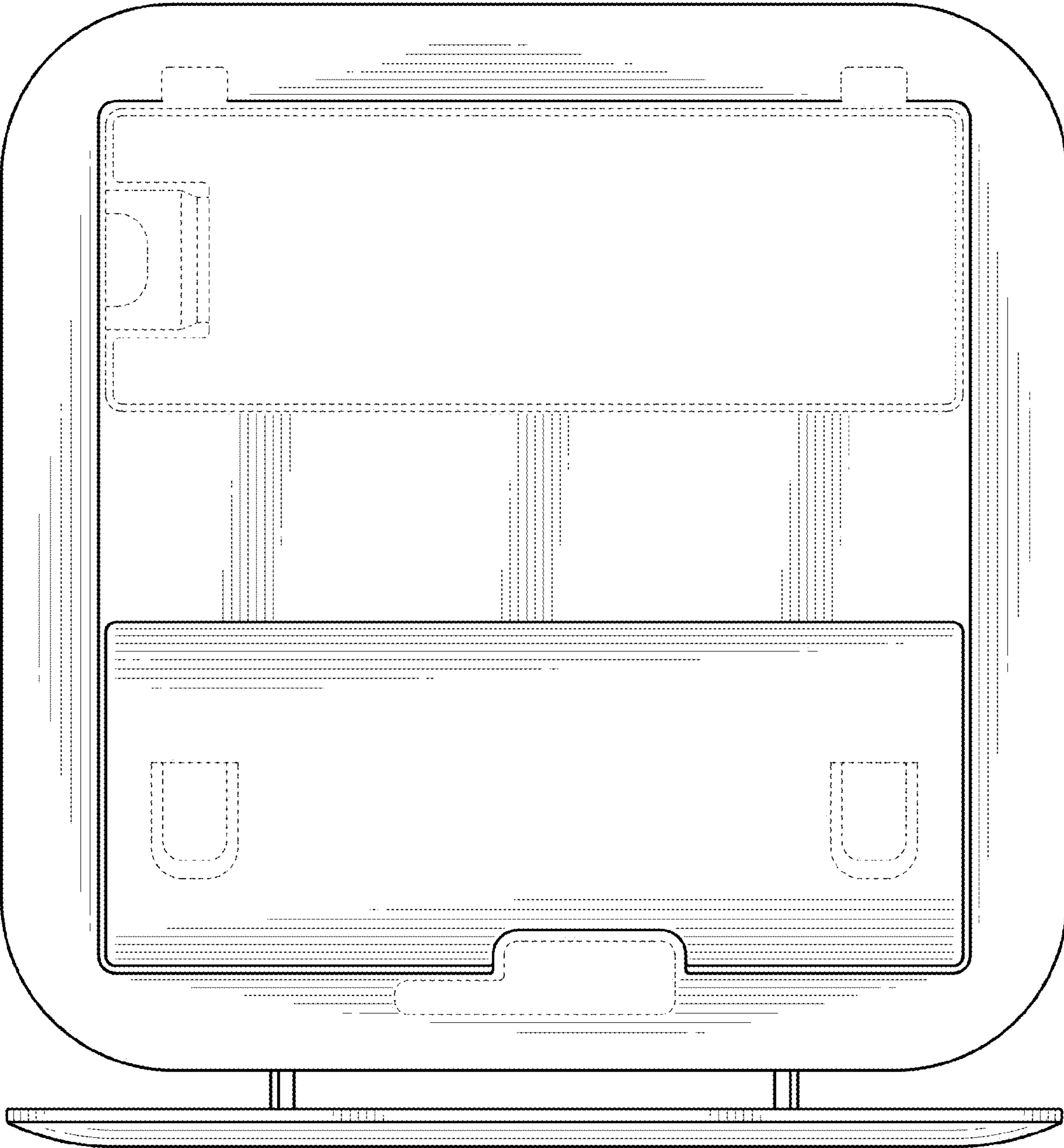


FIG. 16