



US00D870436S

(12) **United States Design Patent**
Avar et al.

(10) **Patent No.:** **US D870,436 S**

(45) **Date of Patent:** **** Dec. 24, 2019**

(54) **SHOE**

4,685,224 A 8/1987 Anger
D297,592 S * 9/1988 Diaz D2/957
D302,348 S 7/1989 Miller

(Continued)

(71) Applicant: **NIKE, Inc.**, Beaverton, OR (US)

(72) Inventors: **Eric P. Avar**, Lake Oswego, OR (US);
Ross Klein, Portland, OR (US); **Bryant Klug**,
Beaverton, OR (US); **Timothy K. Liles**,
Portland, OR (US)

FOREIGN PATENT DOCUMENTS

CN 301429622 S 1/2011
CN 302036853 S 8/2012

(Continued)

(73) Assignee: **NIKE, Inc.**, Beaverton, OR (US)

(**) Term: **15 Years**

OTHER PUBLICATIONS

(21) Appl. No.: **29/648,123**

Nike Footwear Catalog, 1996 Fall Footwear, p. 17, published Dec. 1995, NIKE, Inc., USA.

(Continued)

(22) Filed: **May 18, 2018**

(51) **LOC (12) Cl.** **02-04**

(52) **U.S. Cl.**

USPC **D2/958**; D2/951; D2/960

(58) **Field of Classification Search**

USPC D2/902, 906, 908, 916, 918, 925,
D2/946-962, 977; 36/3 B, 22 R, 24.5,
36/25 R, 28, 32 R, 34 R, 59 C, 67 A, 103
CPC A43B 13/00; A43B 13/02; A43B 13/023;
A43B 13/026; A43B 13/04; A43B 13/08;
A43B 13/10; A43B 13/12; A43B 13/14;
A43B 13/141; A43B 13/143; A43B
13/16; A43B 13/18; A43B 13/181; A43B
13/187; A43B 13/189; A43B 13/20; A43B
13/22; A43B 13/223; A43B 13/24; A43B
13/28; A43B 13/30; A43B 13/32; A43B
13/34; A43B 13/36

See application file for complete search history.

Primary Examiner — T Chase Nelson

(74) *Attorney, Agent, or Firm* — Banner & Witcoff, Ltd.

(57)

CLAIM

The ornamental design for a shoe, as shown and described.

DESCRIPTION

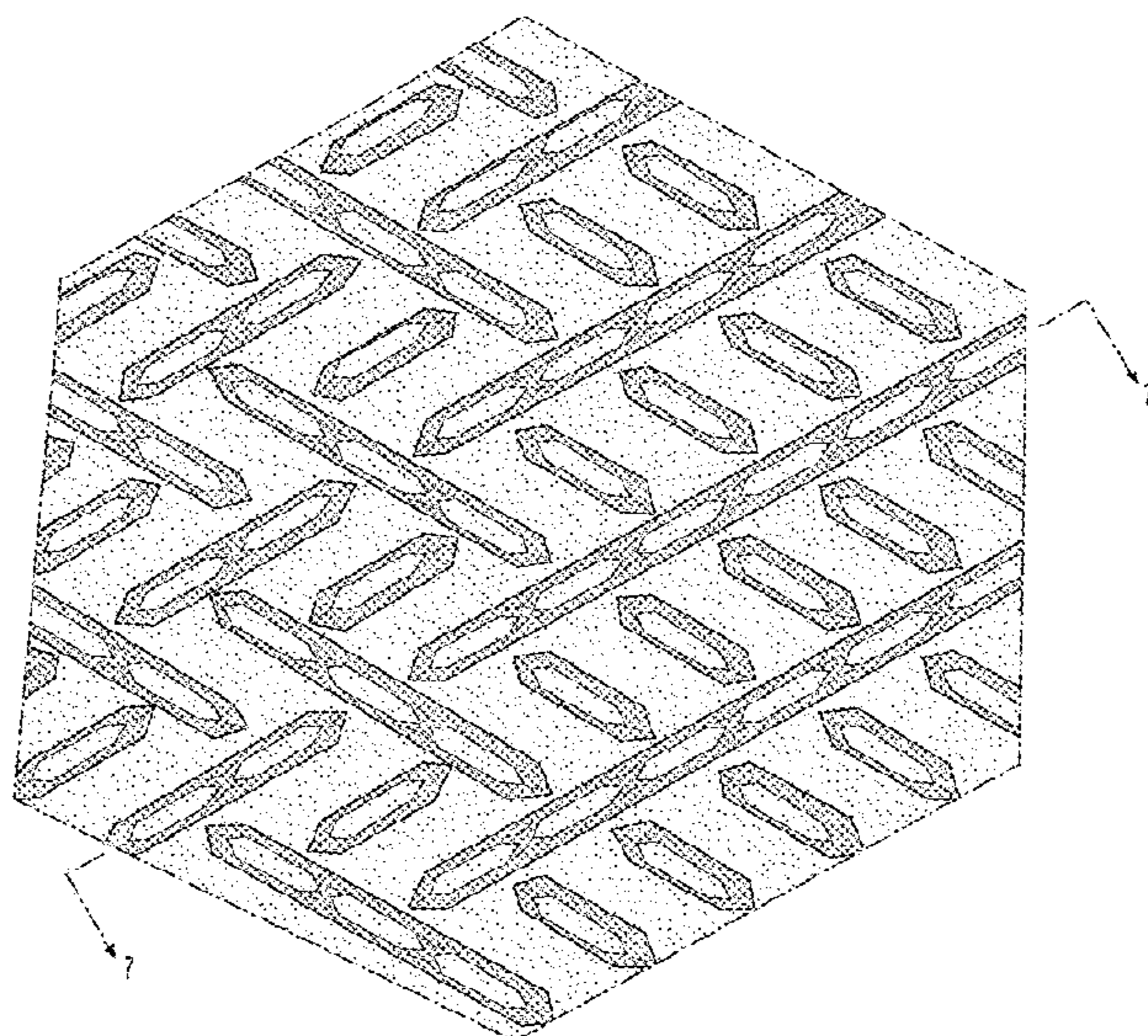
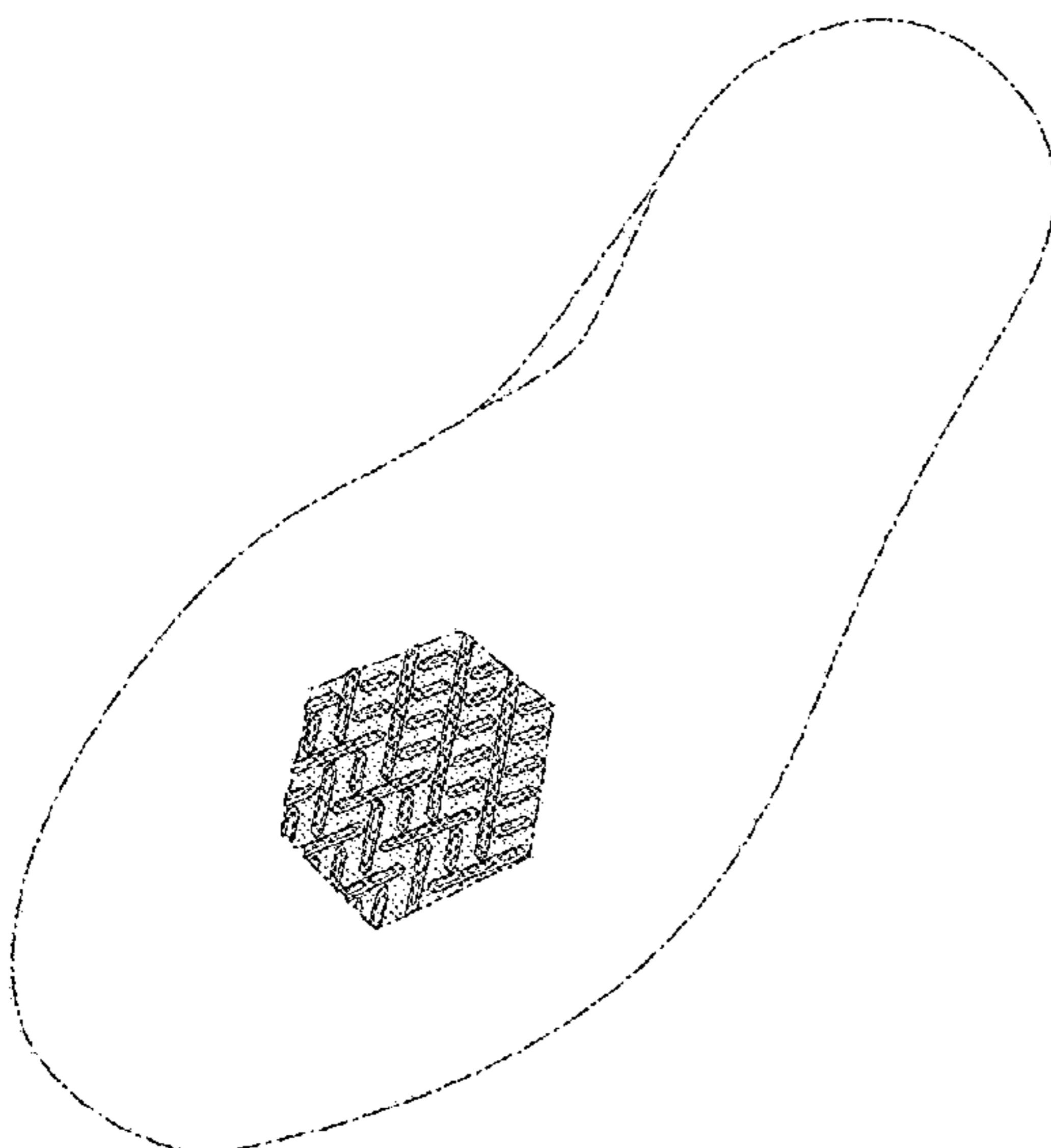
FIG. 1 is a front perspective view of a shoe showing our new design;
FIG. 2 is a bottom view thereof;
FIG. 3 is a rear perspective view thereof;
FIG. 4 is an enlarged view of FIG. 1 with environment removed for clarity;
FIG. 5 is an enlarged view of FIG. 2 with environment removed for clarity;
FIG. 6 is an enlarged view of FIG. 3 with environment removed for clarity; and,
FIG. 7 is a cross-section taken through line 7-7 of FIG. 5. The broken line surrounding the shaded area defines the peripheral bounds of the claimed design and forms no part thereof. The broken lines depicting the remainder of the shoe show features that form no part of the claimed design.

1 Claim, 7 Drawing Sheets

(56) **References Cited**

U.S. PATENT DOCUMENTS

D55,529 S * 6/1920 Piper D2/909
4,281,467 A * 8/1981 Anderie A43B 13/223
36/32 R
D275,147 S 8/1984 Phillpott
D278,382 S 4/1985 Chen



(56)

References Cited

U.S. PATENT DOCUMENTS

D319,143 S 8/1991 Kiyosawa
 D334,654 S 4/1993 May
 D335,762 S * 5/1993 Peterson D2/956
 D367,754 S 3/1996 James
 D379,113 S 5/1997 McDonald et al.
 D390,343 S 2/1998 Chen
 D420,496 S 2/2000 Singer
 D442,767 S 5/2001 Della Valle
 6,385,866 B1 5/2002 Sotter
 D463,097 S 9/2002 Matis et al.
 D468,081 S 1/2003 Recchi et al.
 D492,101 S 6/2004 Issler
 D504,998 S 5/2005 McClaskie
 D533,335 S 12/2006 Robinson, Jr. et al.
 D538,017 S 3/2007 McClaskie
 D540,013 S 4/2007 Issler
 D541,018 S 4/2007 McClaskie
 D547,533 S 7/2007 McClaskie
 D548,437 S 8/2007 McClaskie
 D559,512 S 1/2008 McClaskie
 D563,084 S 3/2008 Della Valle
 D616,639 S * 6/2010 Larregain D2/956
 D617,542 S 6/2010 Stauffer
 D628,366 S * 12/2010 Ringdal D2/909
 D635,752 S 4/2011 Shea
 D657,120 S 4/2012 Harper
 8,330,029 B2 12/2012 Dunlop
 D682,523 S 5/2013 Shyllon
 D702,428 S 4/2014 Hlavacs
 D714,039 S 9/2014 Miner
 D721,881 S 2/2015 Avent
 D746,566 S 1/2016 Rasmussen
 D758,708 S 6/2016 Wawrousek
 D762,359 S * 8/2016 Slimane D2/925
 D765,372 S 9/2016 Petrie
 D787,792 S 5/2017 Caron
 D788,419 S * 6/2017 Taylor D2/954
 D788,424 S 6/2017 Hardman
 D789,665 S * 6/2017 Seamarks D2/951
 D797,421 S 9/2017 McCourt
 D808,139 S 1/2018 Martin

D809,257 S * 2/2018 Petrie D2/958
 D811,065 S * 2/2018 Hardman D2/957
 D819,945 S * 6/2018 Escobar D2/957
 D820,571 S * 6/2018 Nethongkome D2/960
 D821,077 S * 6/2018 Avar D2/958
 D836,894 S * 1/2019 Cooper A43B 13/223
 D839,574 S * 2/2019 Klein D2/958
 D840,142 S * 2/2019 Lee D2/957
 D842,597 S * 3/2019 Kuerbis D2/957
 D845,597 S * 4/2019 Barnes D2/957
 D846,250 S * 4/2019 Cruz D2/955
 D848,128 S * 5/2019 Nethongkome D2/947
 D848,718 S * 5/2019 Mahoney D2/957
 D850,772 S * 6/2019 Cooper D2/957
 D851,375 S * 6/2019 Avar D2/960
 10,327,506 B2 * 6/2019 Hensley A43B 13/12
 2004/0107603 A1 6/2004 Wei
 2011/0247243 A1 10/2011 Eder et al.
 2015/0223560 A1 8/2015 Wawrousek et al.
 2017/0251761 A1 9/2017 Cin et al.

FOREIGN PATENT DOCUMENTS

CN	302499891 S	7/2013
CN	302877387 S	7/2014
CN	303650602 S	4/2016
CN	304303312 S	10/2017
JP	D1162418	1/2003
KR	30-0276693	6/2001
KR	30-0564545	6/2010
WO	D082180-0010	11/2013

OTHER PUBLICATIONS

Nike Footwear Catalog, 1996 Fall Footwear, p. 58, published Dec. 1995, NIKE, Inc., USA.
 Nike Footwear Catalog, 2001 Spring Men's and Women's Footwear (black shoes), p. 11, published Jun. 2000, NIKE, Inc., USA.
 Nike Footwear Catalog, 2002 Fall Men's and Women's Footwear, p. 25, published Nov. 2001, NIKE, Inc., USA.

* cited by examiner

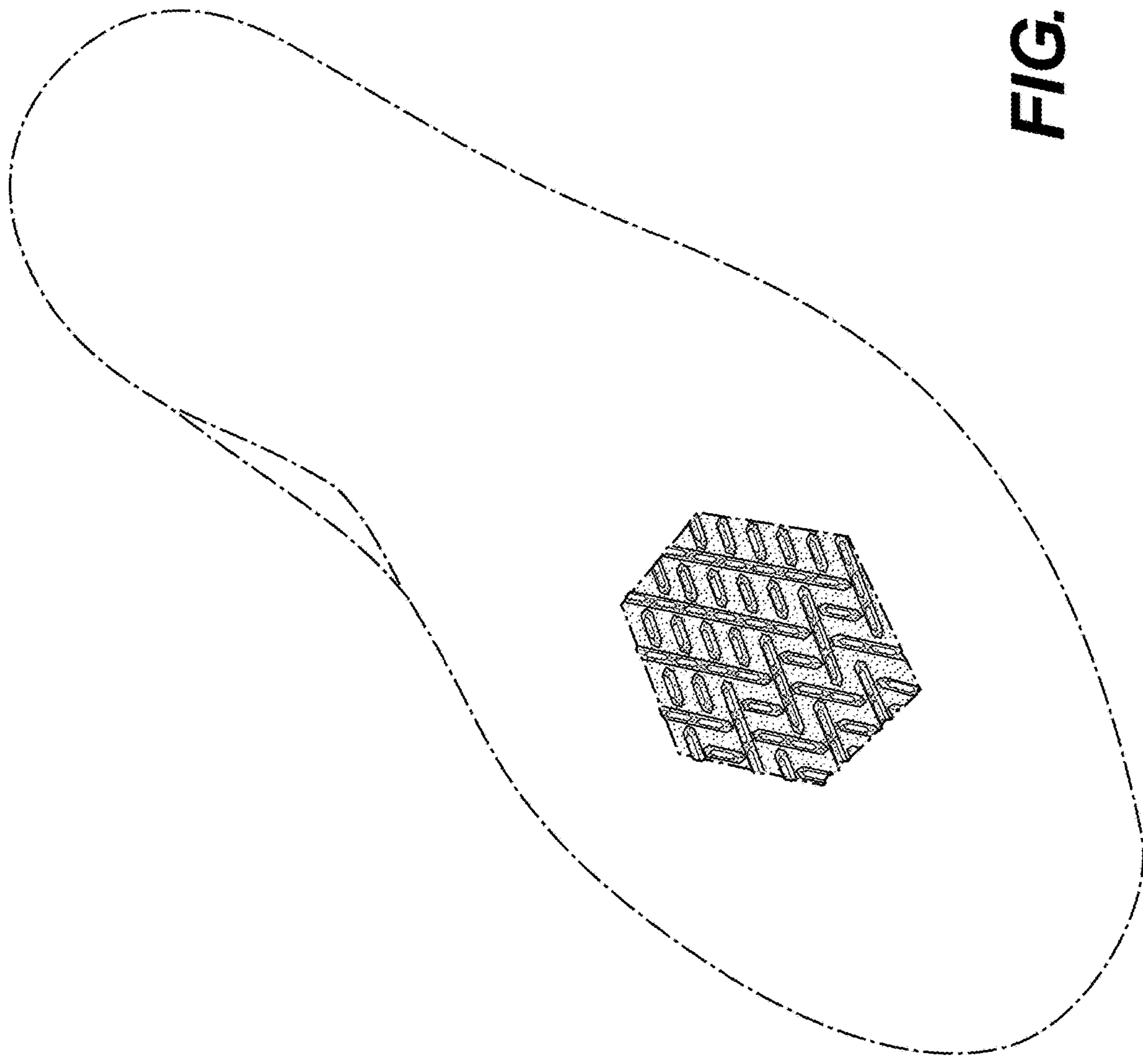


FIG. 1

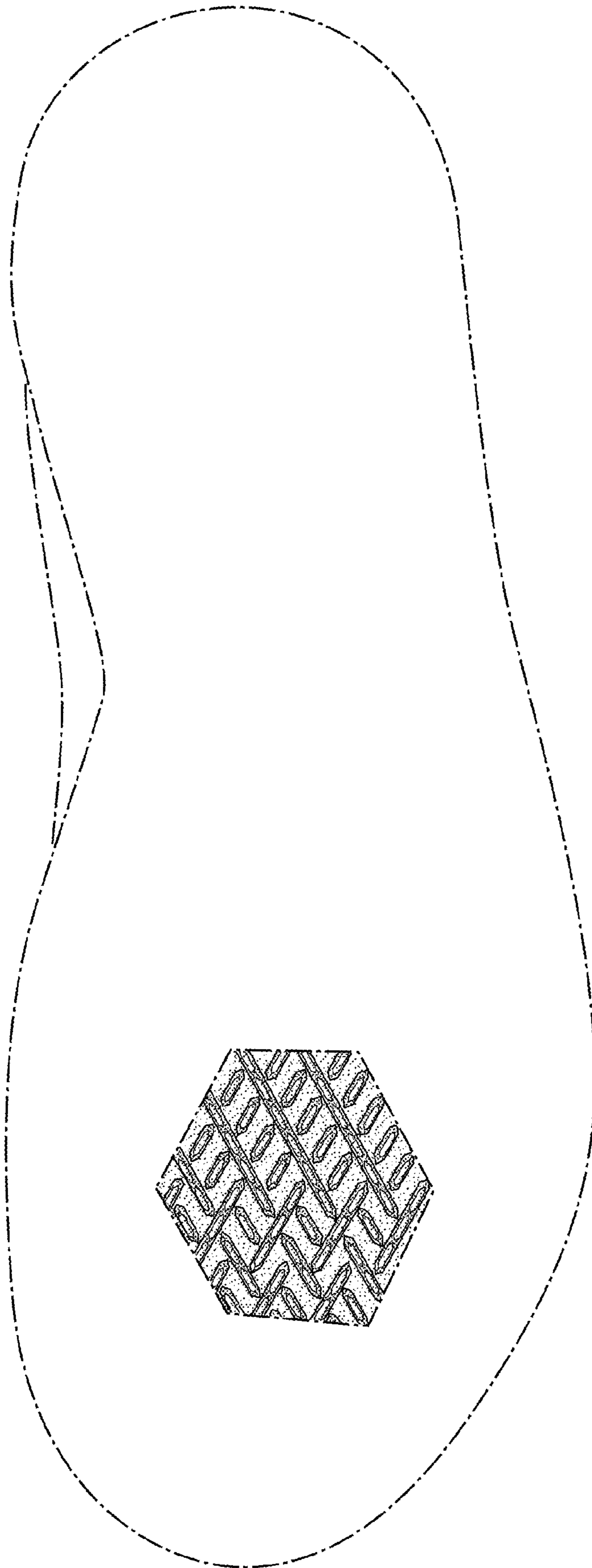


FIG. 2

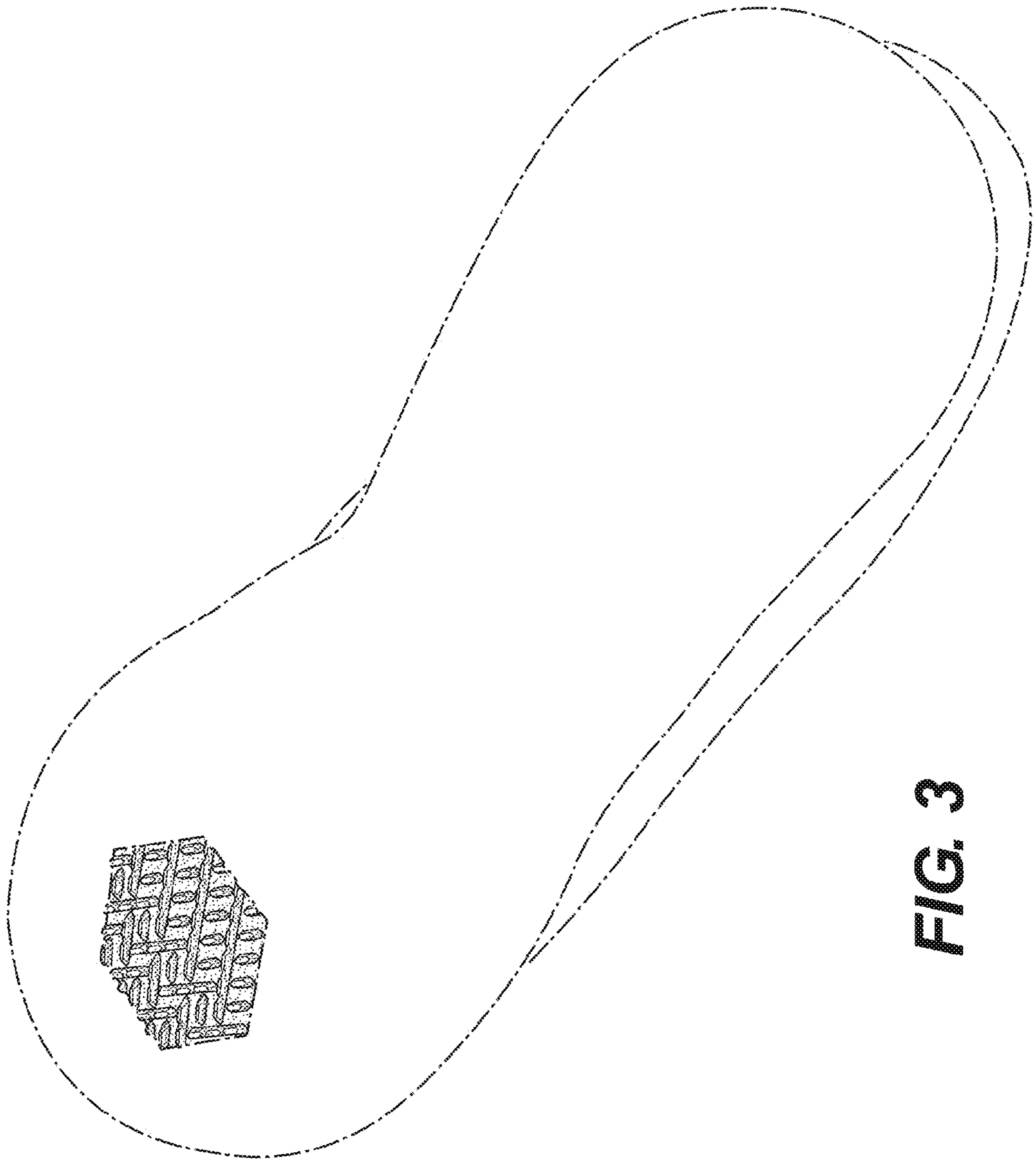


FIG. 3

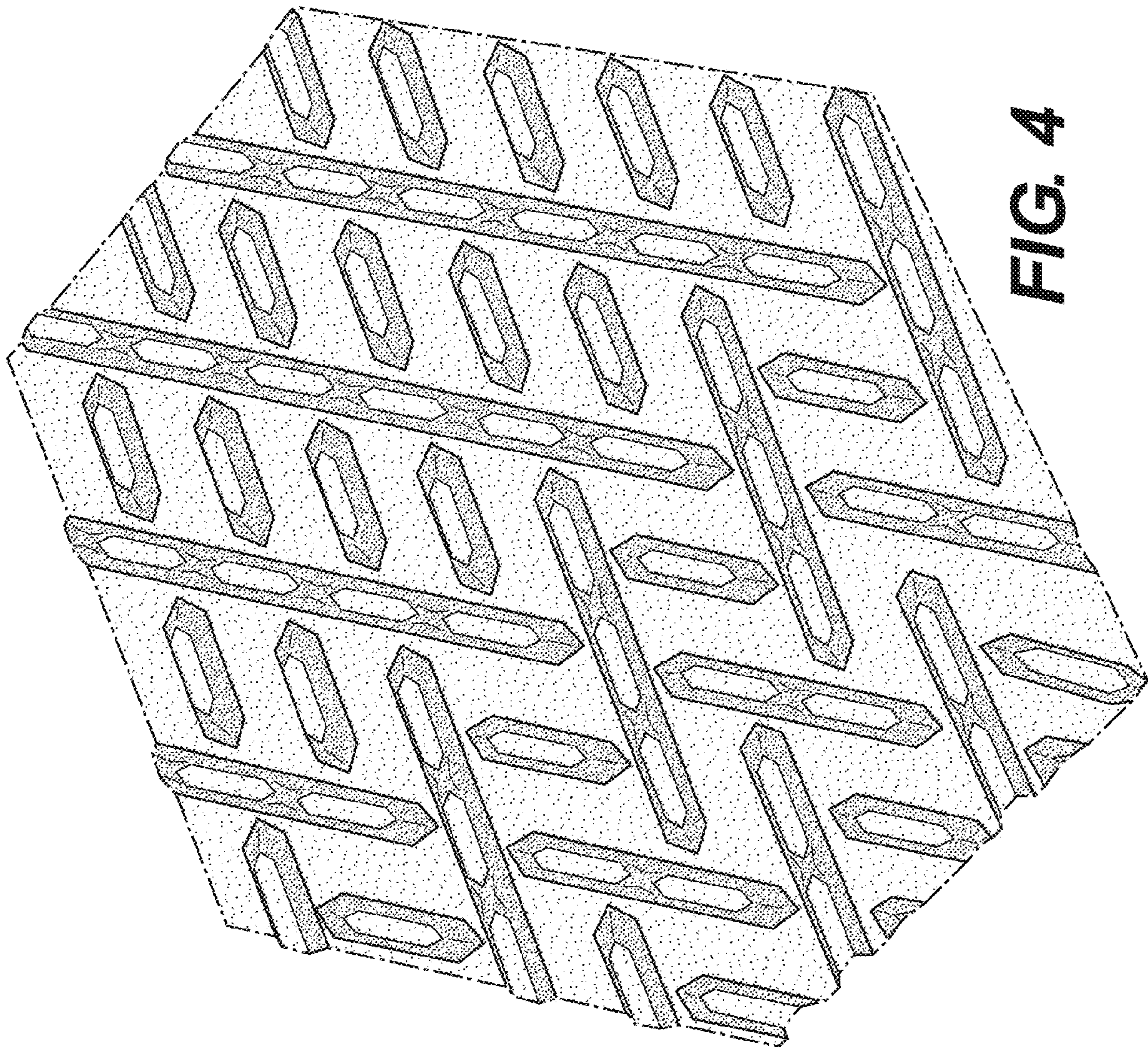


FIG. 4

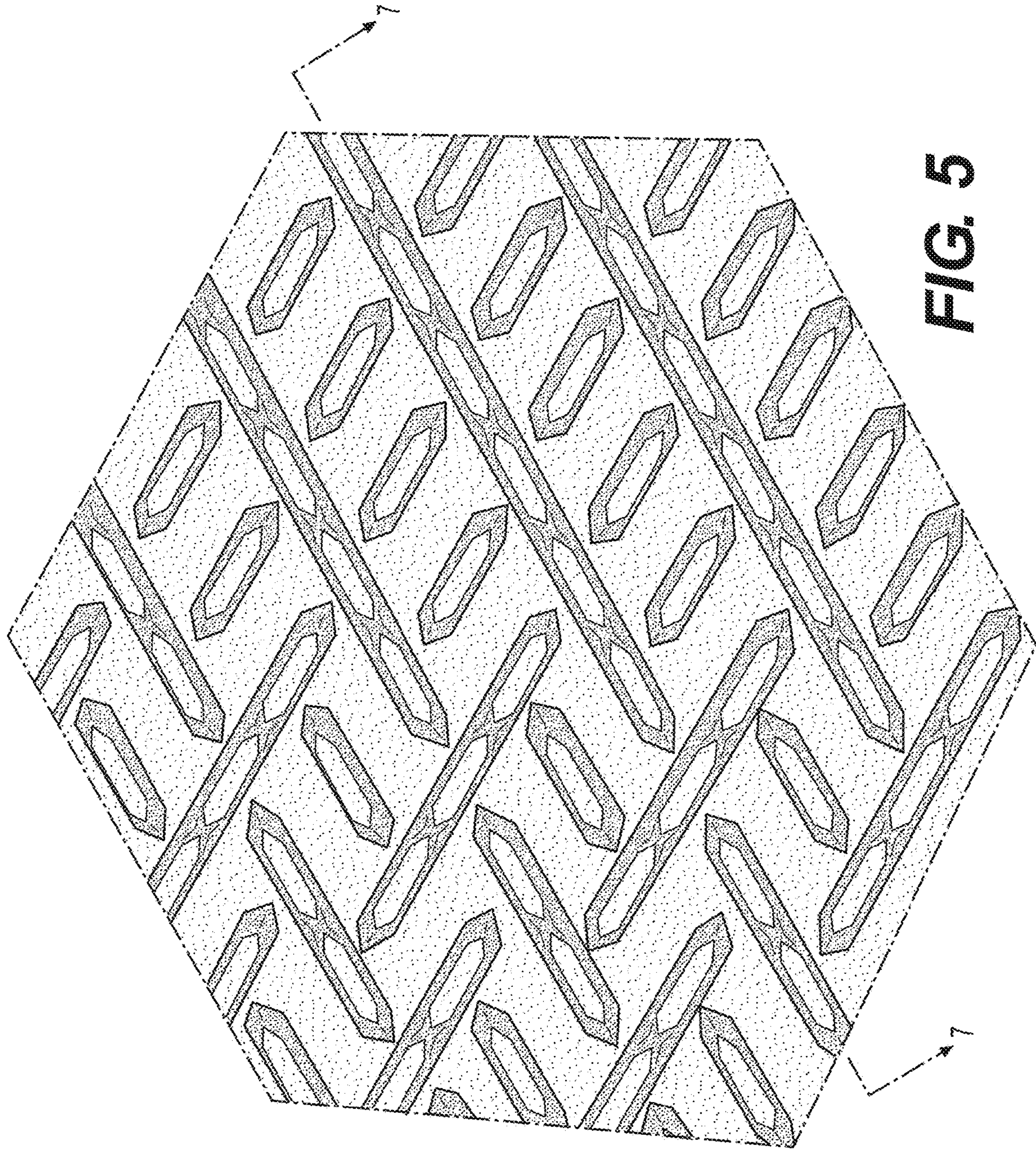


FIG. 5

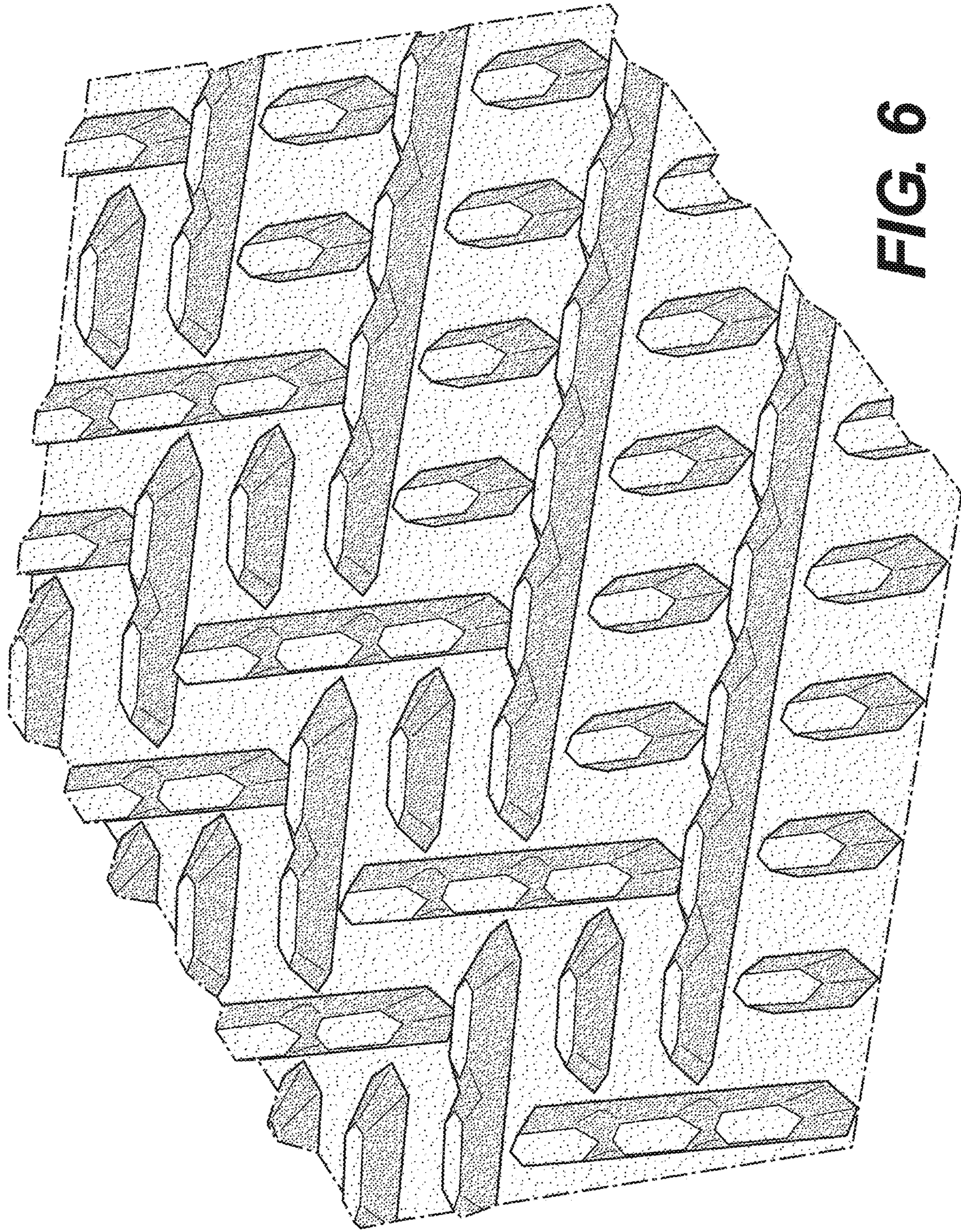


FIG. 6

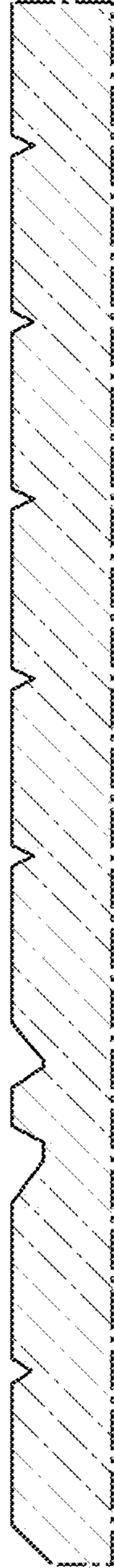


FIG. 7