



US00D870418S

(12) **United States Design Patent** (10) **Patent No.:** **US D870,418 S**
Hiraprashad (45) **Date of Patent:** **** Dec. 24, 2019**

(54) **DISPOSABLE UNDERWEAR**
(71) Applicant: **Sandra Hiraprashad**, Wethersfield, CT (US)
(72) Inventor: **Sandra Hiraprashad**, Wethersfield, CT (US)
(**) Term: **15 Years**
(21) Appl. No.: **29/667,838**
(22) Filed: **Oct. 25, 2018**
(51) **LOC (12) Cl.** **02-01**
(52) **U.S. Cl.**
USPC **D2/712; D24/126**
(58) **Field of Classification Search**
USPC 2/400, 406, 408, 238; D24/126;
D2/712-713, 736-738
CPC A61F 13/15; A41B 9/00; A41B 9/001;
A41B 9/002; A41B 9/004; A41B 9/005;
A41B 9/12
See application file for complete search history.

D702,917 S * 4/2014 White D2/712
D711,071 S * 8/2014 Jackson D2/712
D716,939 S * 11/2014 Giloh A61F 13/505
D24/126
D768,356 S * 10/2016 Grant D2/712
D806,982 S * 1/2018 Grace D2/700
2007/0142816 A1* 6/2007 Carstens A61F 13/47254
604/396
2010/0107312 A1* 5/2010 Jaraicie A41B 9/002
2/400
2010/0175170 A1* 7/2010 Dye A41B 9/002
2/406
2010/0175171 A1* 7/2010 Dye A41B 9/04
2/406
2019/0125003 A1* 5/2019 Hanson A41B 9/04

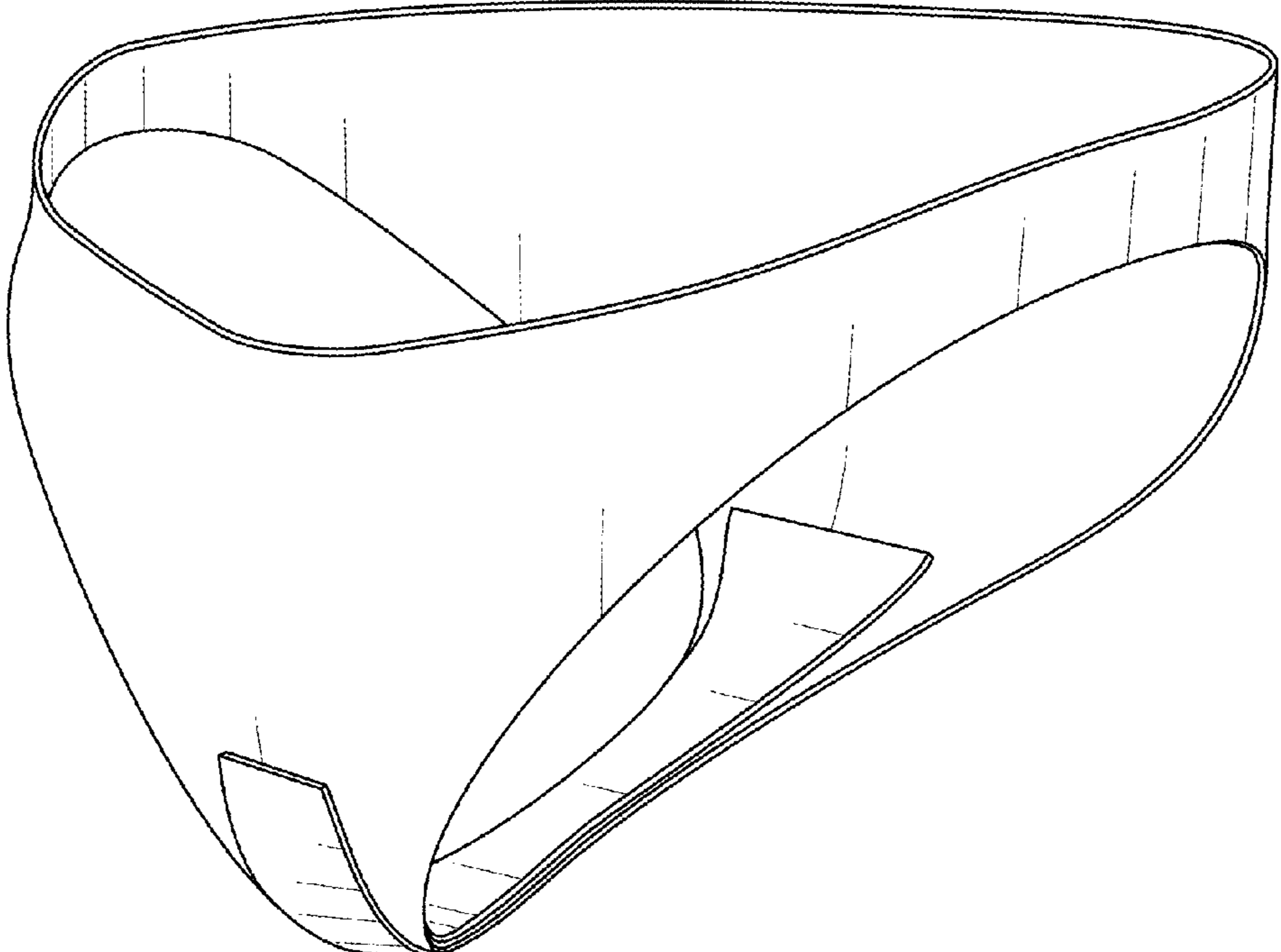
* cited by examiner
Primary Examiner — Barbara Fox
Assistant Examiner — J. Thorn, Sr.
(74) *Attorney, Agent, or Firm* — Sanchelima & Associates, P.A.; Christian Sanchelima; Jesus Sanchelima

(57) **CLAIM**
The ornamental design for disposable underwear, as shown and described.

(56) **References Cited**
U.S. PATENT DOCUMENTS
D396,542 S * 8/1998 Nicholson D2/712
D450,911 S * 11/2001 Bell D2/712
D569,580 S * 5/2008 Hodges D2/712
D581,130 S * 11/2008 Noday D2/712
D632,055 S * 2/2011 Wynn D2/712
D633,689 S * 3/2011 Hunt A61F 13/491
D2/712
D649,330 S * 11/2011 Trahin D2/713
D690,903 S * 10/2013 Wexler A41B 9/004
D2/712

DESCRIPTION
FIG. 1 is an isometric top view of a disposable underwear showing my new design;
FIG. 2 is a front view thereof;
FIG. 3 is a rear view thereof;
FIG. 4 is a left side view thereof;
FIG. 5 is a right side view thereof;
FIG. 6 is a top view thereof; and,
FIG. 7 is a bottom view thereof showing my design.

1 Claim, 4 Drawing Sheets



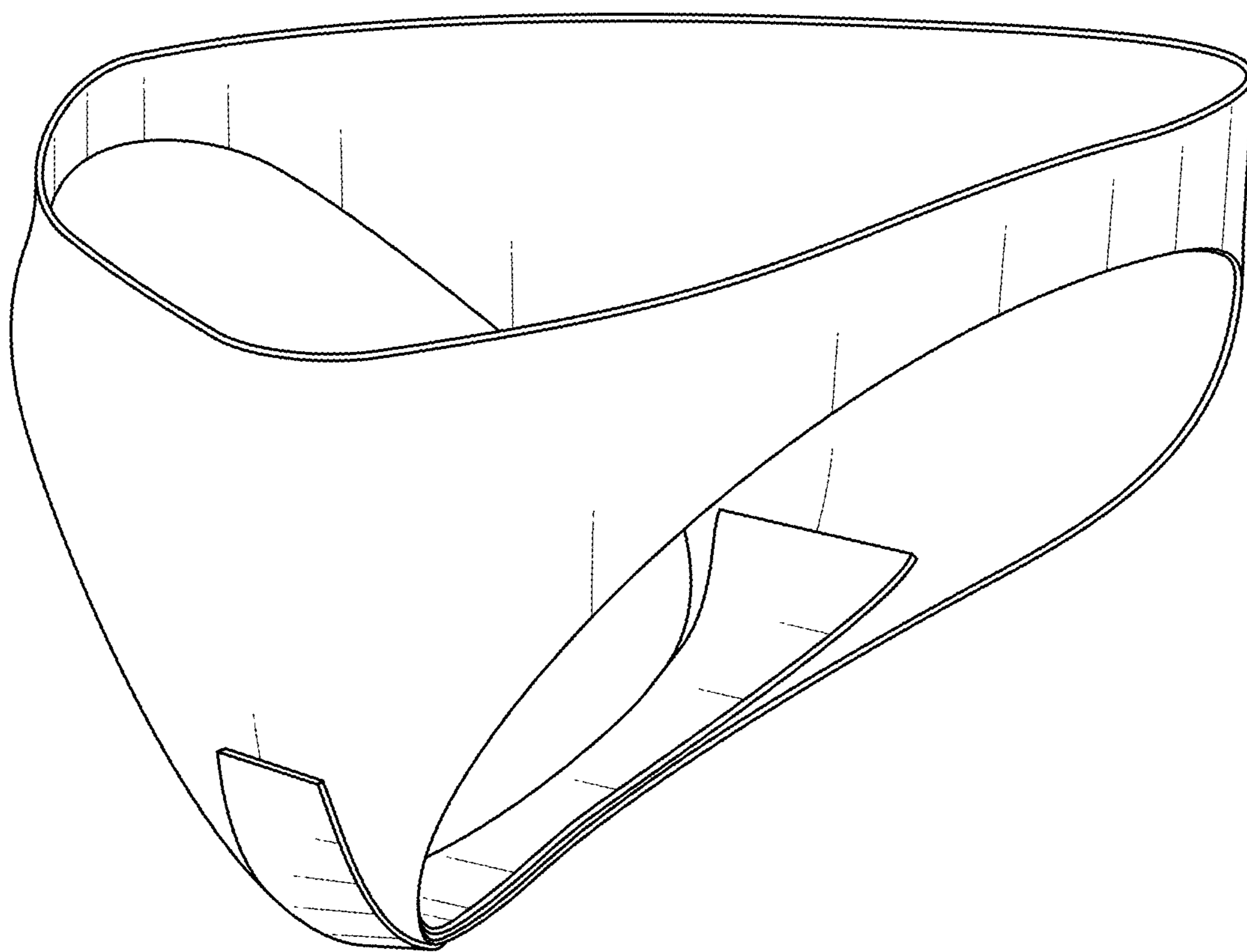


FIG. 1

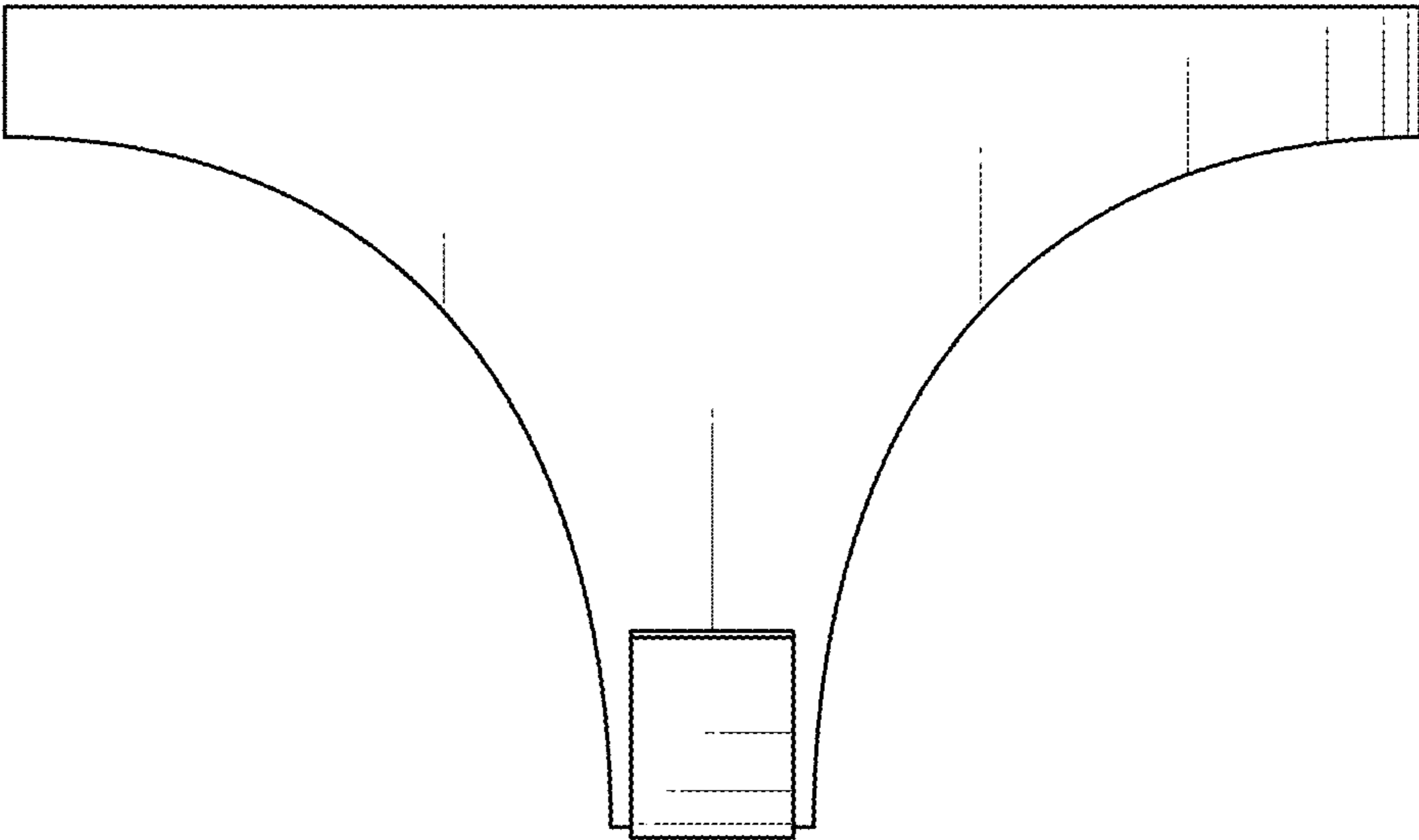


FIG. 2

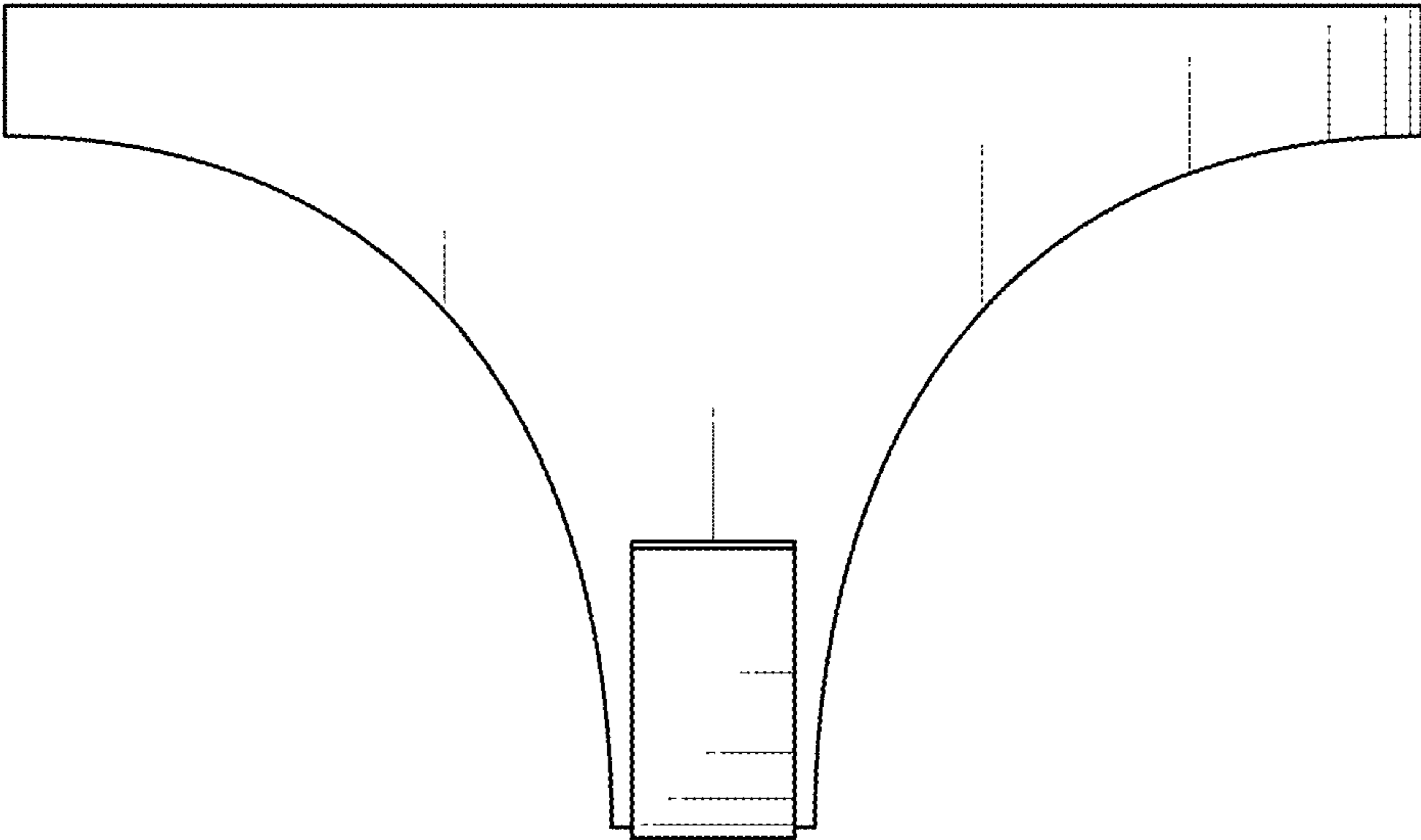


FIG. 3

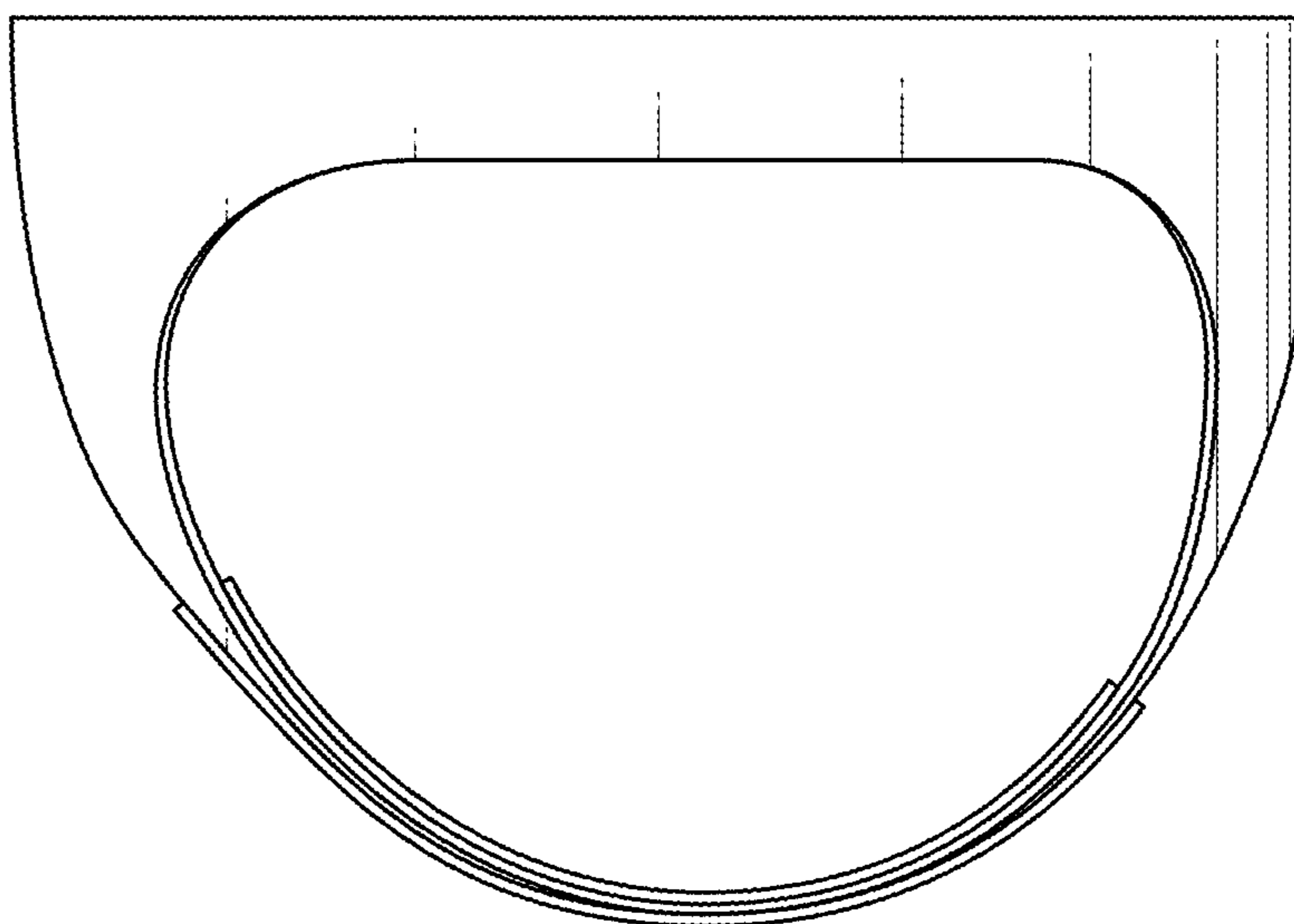


FIG. 4

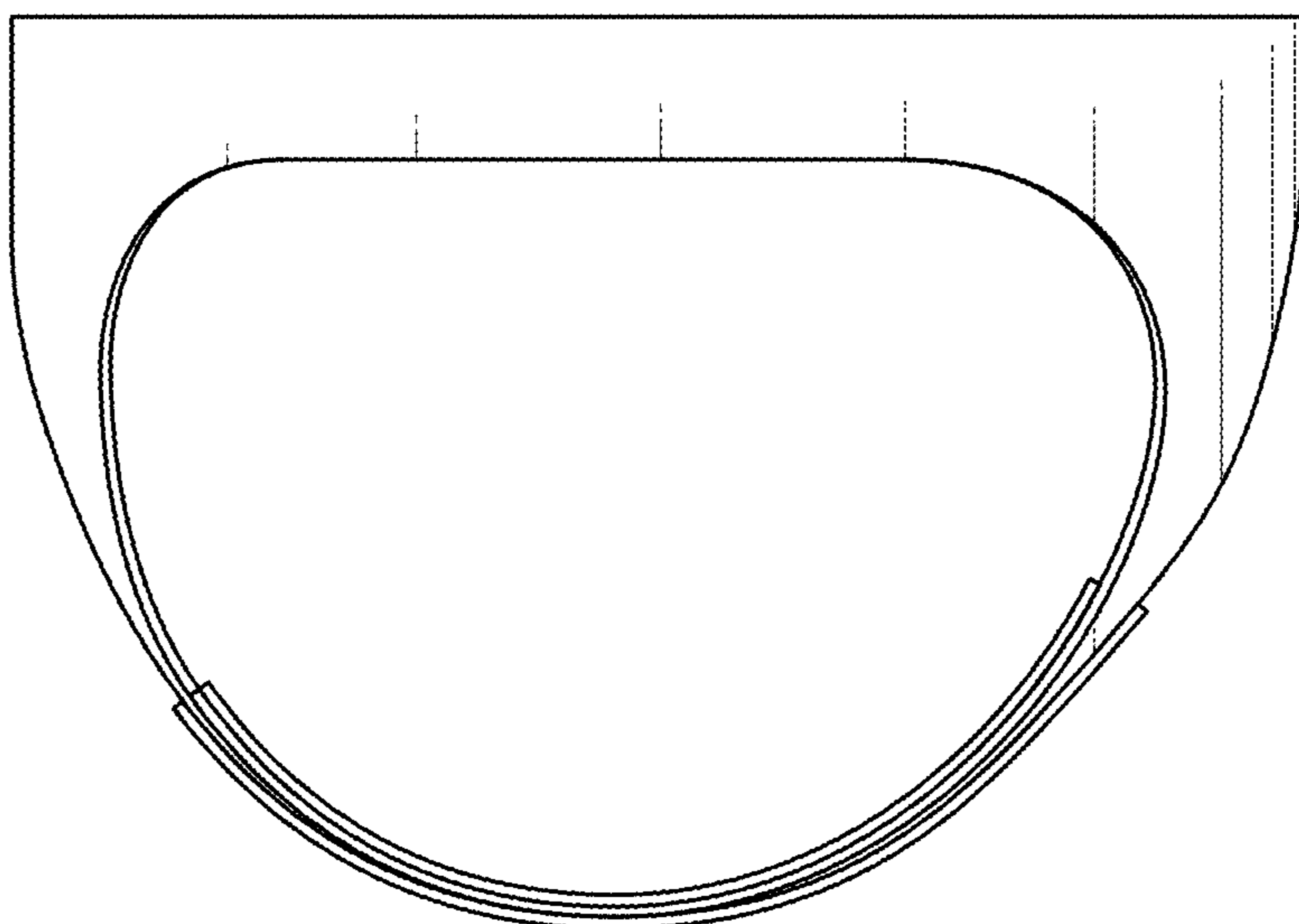


FIG. 5

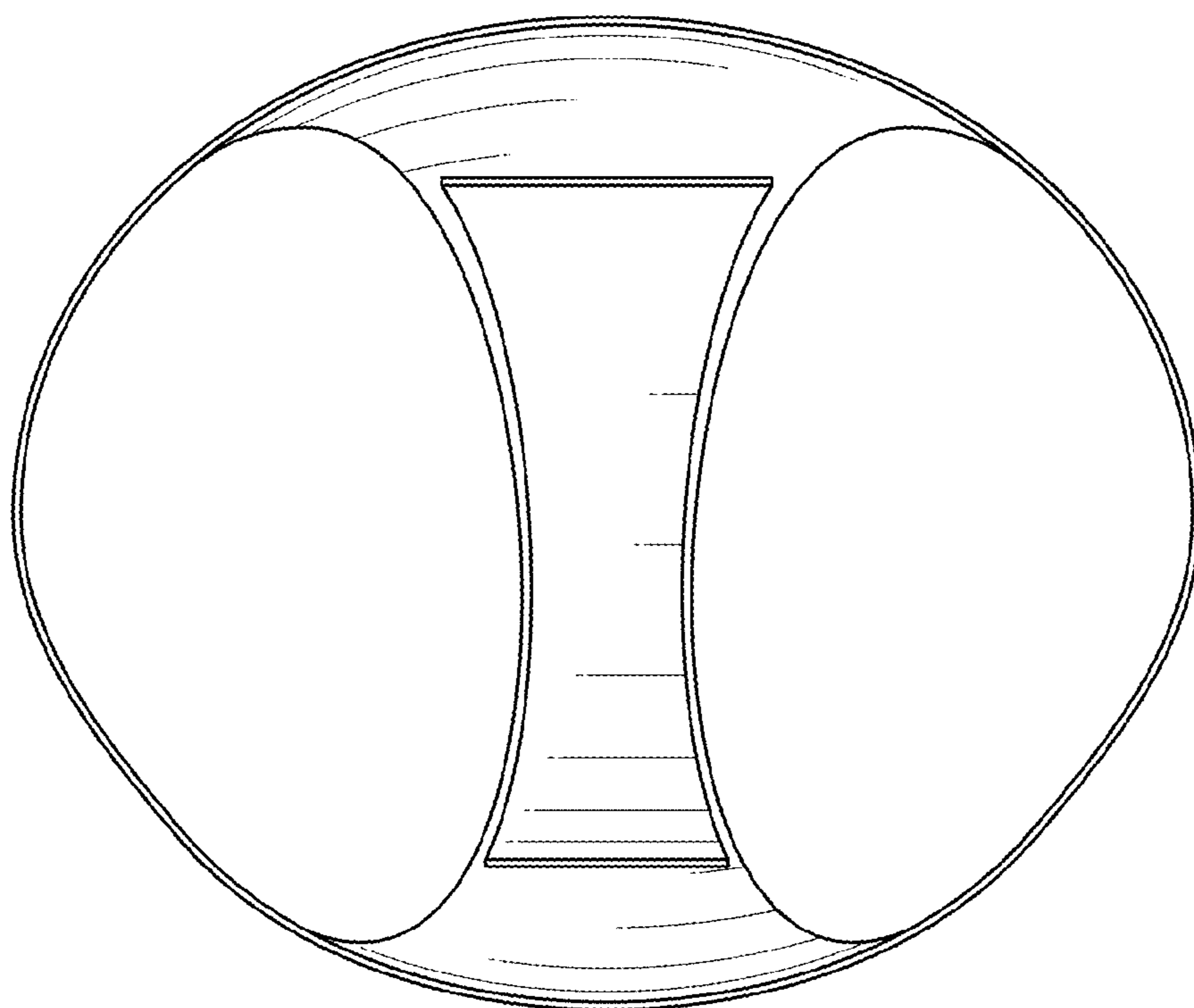


FIG. 6

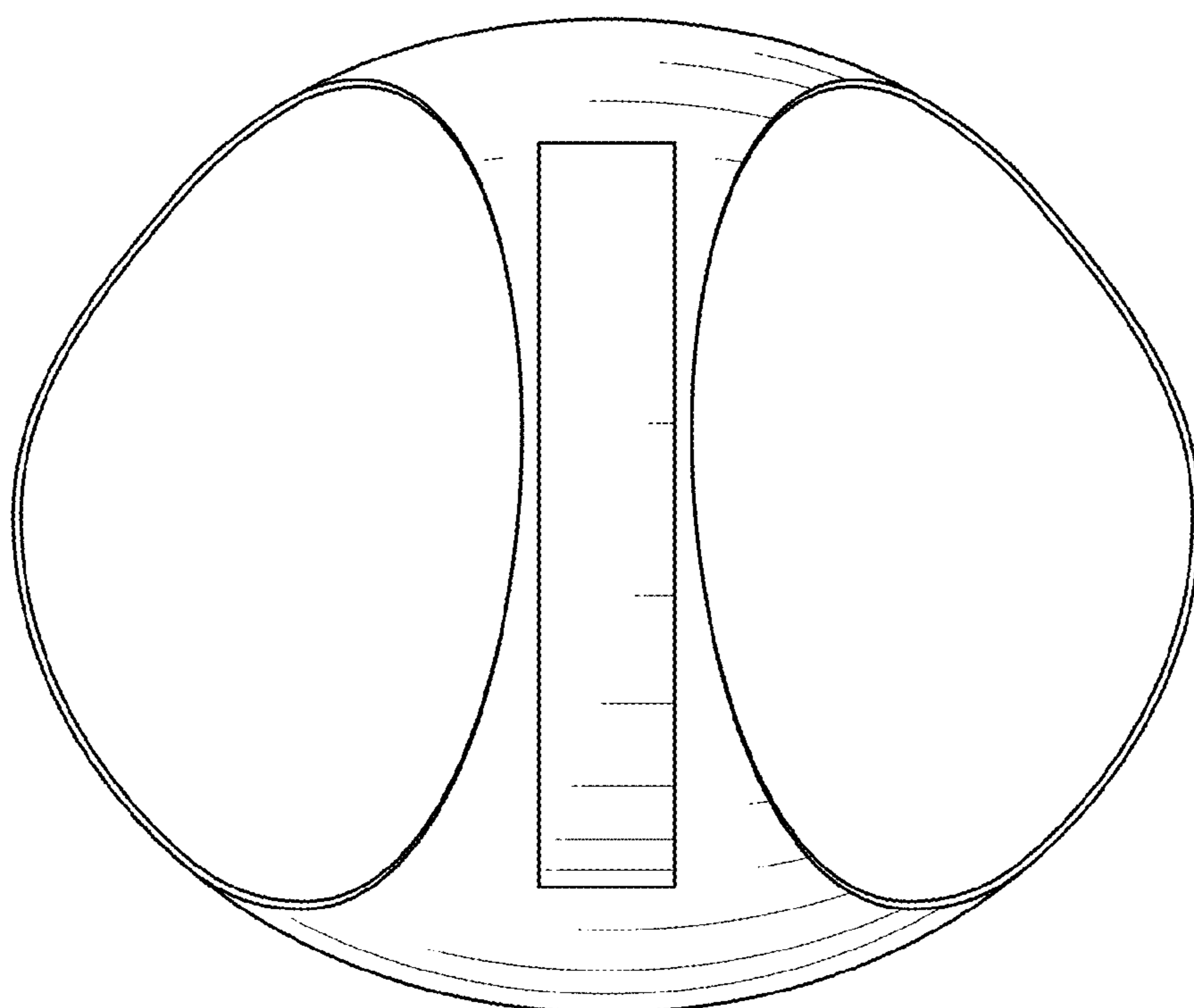


FIG. 7