



US00D870414S

(12) **United States Design Patent**
Yagger et al.

(10) **Patent No.:** **US D870,414 S**

(45) **Date of Patent:** **** Dec. 17, 2019**

(54) **COMBINED CONVERTIBLE CASKET AND MEMORIAL BIER**

D300,979 S * 5/1989 Durand D99/7
D413,703 S * 9/1999 Riga D99/9
D571,523 S * 6/2008 Sauder D99/2

(Continued)

(71) Applicants: **Matthew D. Yagger**, Falconer, NY
(US); **James Cusimano**, Falconer, NY
(US); **David A. Davin**, Jamestown, NY
(US)

Primary Examiner — Barbara Fox
Assistant Examiner — Messina L Smith
(74) *Attorney, Agent, or Firm* — The Bilicki Law Firm,
P.C.; Carl A. Hjort, III

(72) Inventors: **Matthew D. Yagger**, Falconer, NY
(US); **James Cusimano**, Falconer, NY
(US); **David A. Davin**, Jamestown, NY
(US)

(57) **CLAIM**

The ornamental design for a combined convertible casket and memorial bier, as shown and described.

(**) Term: **15 Years**

DESCRIPTION

(21) Appl. No.: **29/630,649**

FIG. 1 is a top perspective view of a combined convertible casket and memorial bier showing the new design, in a mode for use with a casket;

(22) Filed: **Dec. 21, 2017**

FIG. 2 is a front view thereof;

(51) **LOC (12) Cl.** **03-01**

FIG. 3 is a back view thereof;

(52) **U.S. Cl.**

FIG. 4 is a top view thereof;

USPC **D99/2**

FIG. 5 is a bottom view thereof;

(58) **Field of Classification Search**

USPC D99/1, 2, 3, 4, 5, 6, 7, 8, 9, 10, 11, 12,

FIG. 6 is a left side view thereof;

D99/13, 14, 15, 16, 17, 18, 19, 20, 21,

FIG. 7 is a right side view thereof;

D99/22, 23, 24, 28, 43, 99; D21/483,

FIG. 8 is an exploded view thereof;

D21/576, 585, 586, 587, 594; D3/266

FIG. 9 is a top perspective of the combined convertible casket and memorial bier in a mode for use with a memorial;

CPC A61G 19/00; A61G 21/00; A61G 17/00;

FIG. 10 is a front view thereof;

A61G 17/001; A61G 17/002; A61G

FIG. 11 is a back view thereof;

17/004; A61G 17/007; A61G 17/04;

FIG. 12 is a top view thereof;

A61G 17/02; A61G 99/00; A62B 33/00

FIG. 13 is a bottom view thereof;

See application file for complete search history.

FIG. 14 is a left side view thereof;

(56) **References Cited**

U.S. PATENT DOCUMENTS

2,044,872 A * 6/1936 Beatty A61G 17/00

FIG. 15 is a right side view thereof;

27/17

FIG. 16 is an exploded view thereof; and,

D209,198 S * 11/1967 Wareham D99/9

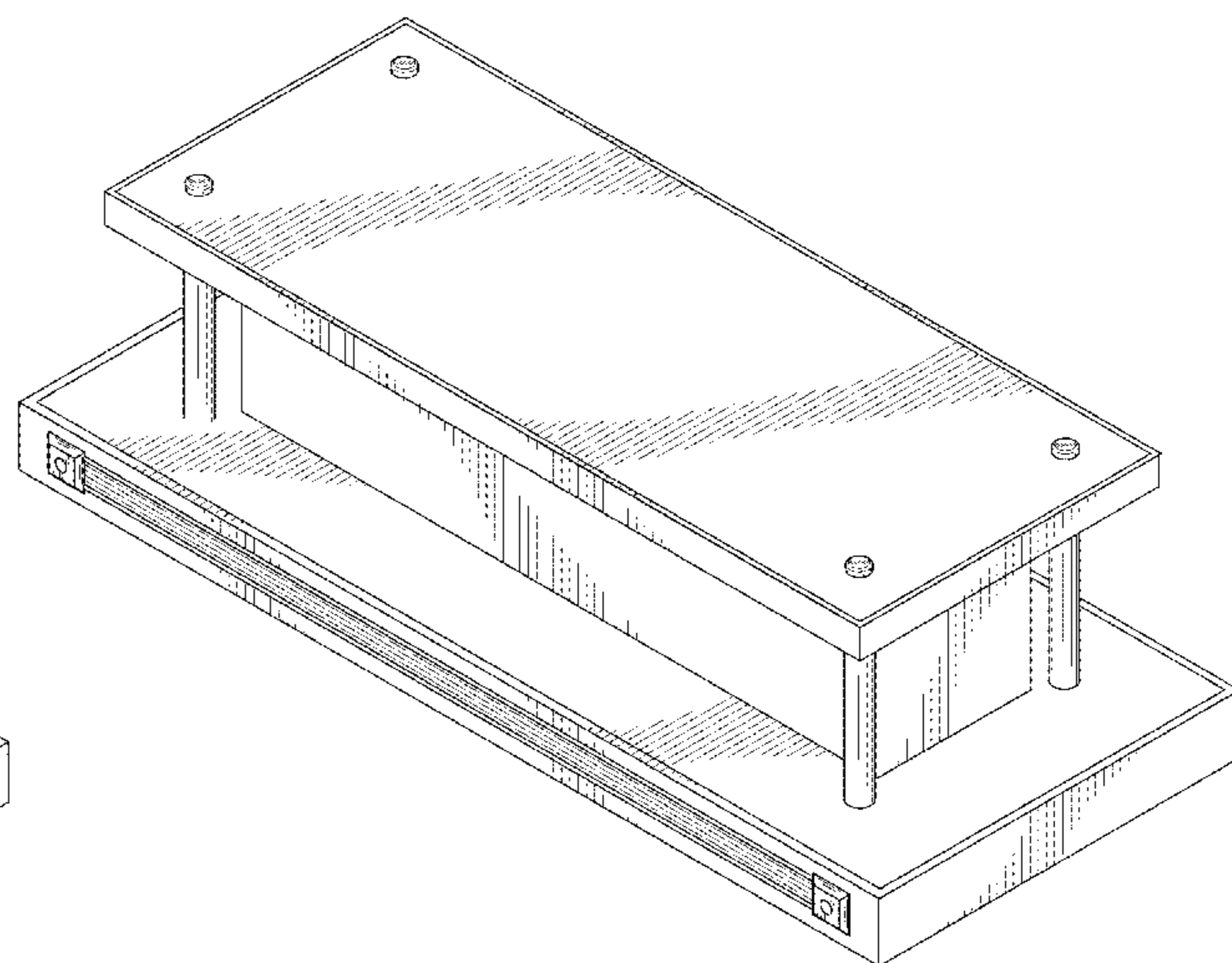
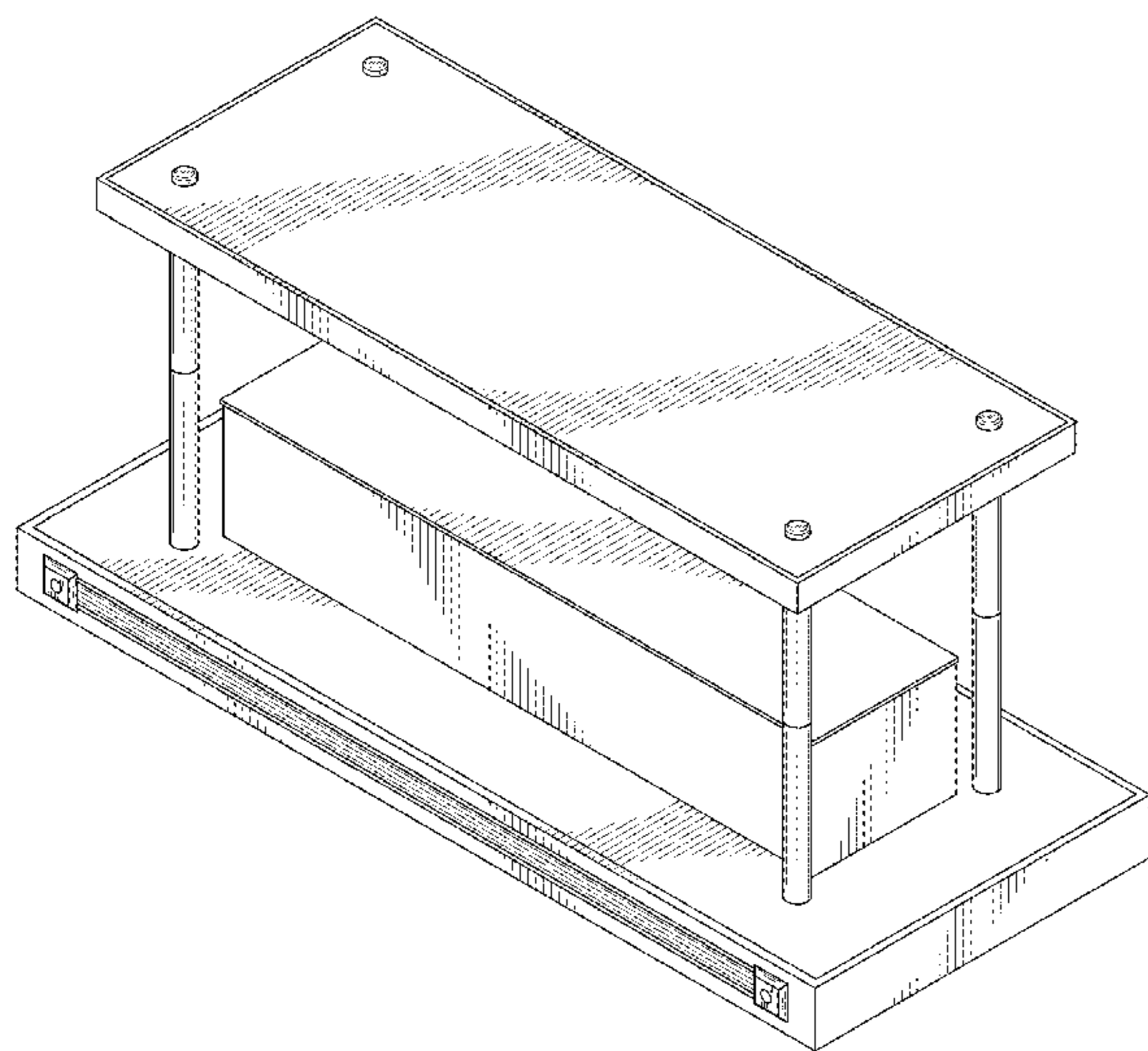
FIG. 17 is a top perspective view of the open storage bin shown separately to show aspects of the design that are not visible when combined in an example of use with leg storage. The broken lines in the drawings depict portions of the combined convertible casket and memorial bier that form no part of the claimed design.

D209,666 S * 12/1967 Wareham D99/9

D214,668 S * 7/1969 Lange D99/9

D215,435 S * 9/1969 Ellsworth D99/9

1 Claim, 15 Drawing Sheets



(56)

References Cited

U.S. PATENT DOCUMENTS

D571,975 S * 6/2008 Sauder D99/2
7,404,243 B1 * 7/2008 Sauder A61G 17/00
211/85.16
D661,455 S * 6/2012 Wolfe D99/1
D756,062 S * 5/2016 Fernandez D99/1

* cited by examiner

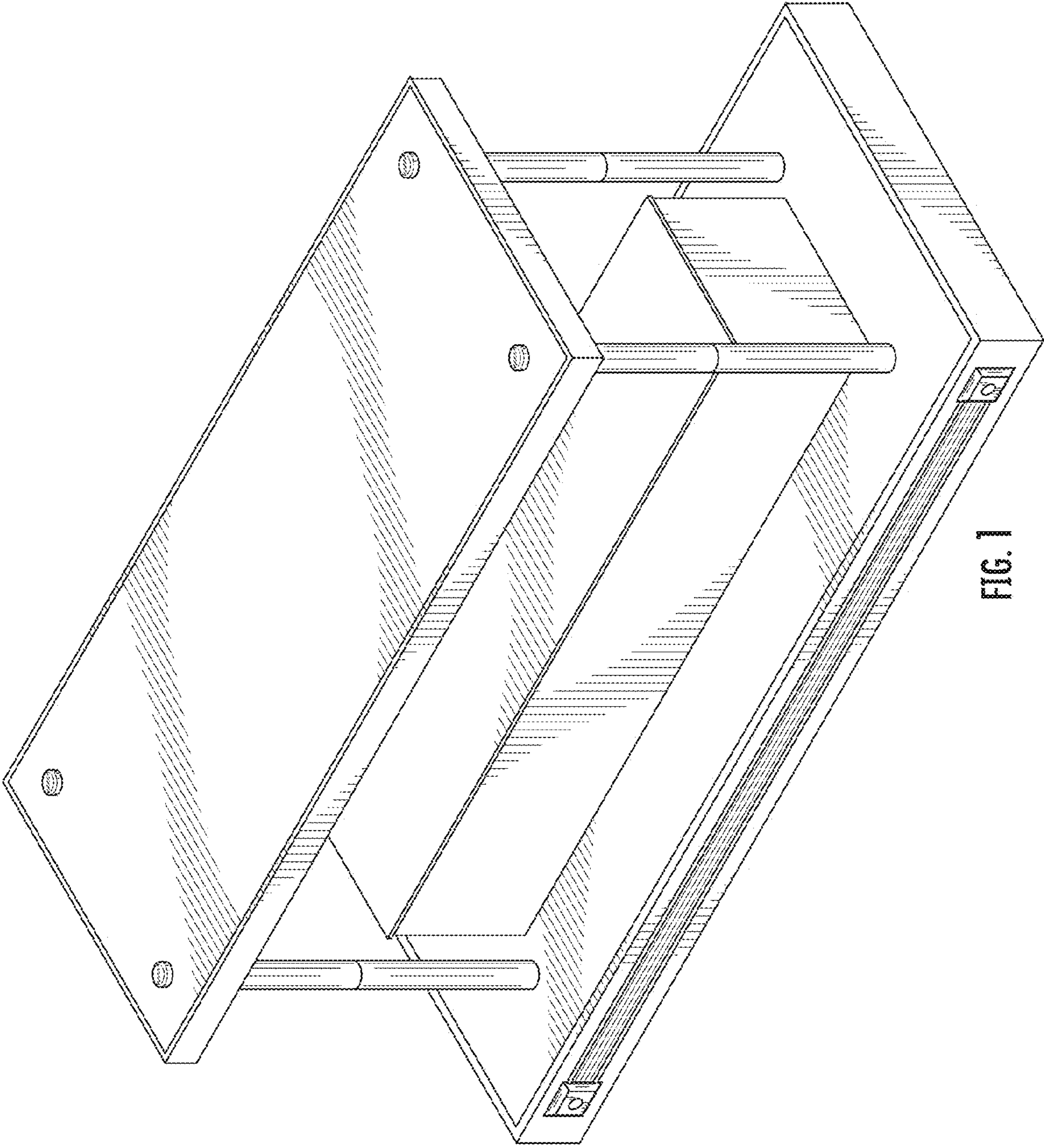


FIG. 1

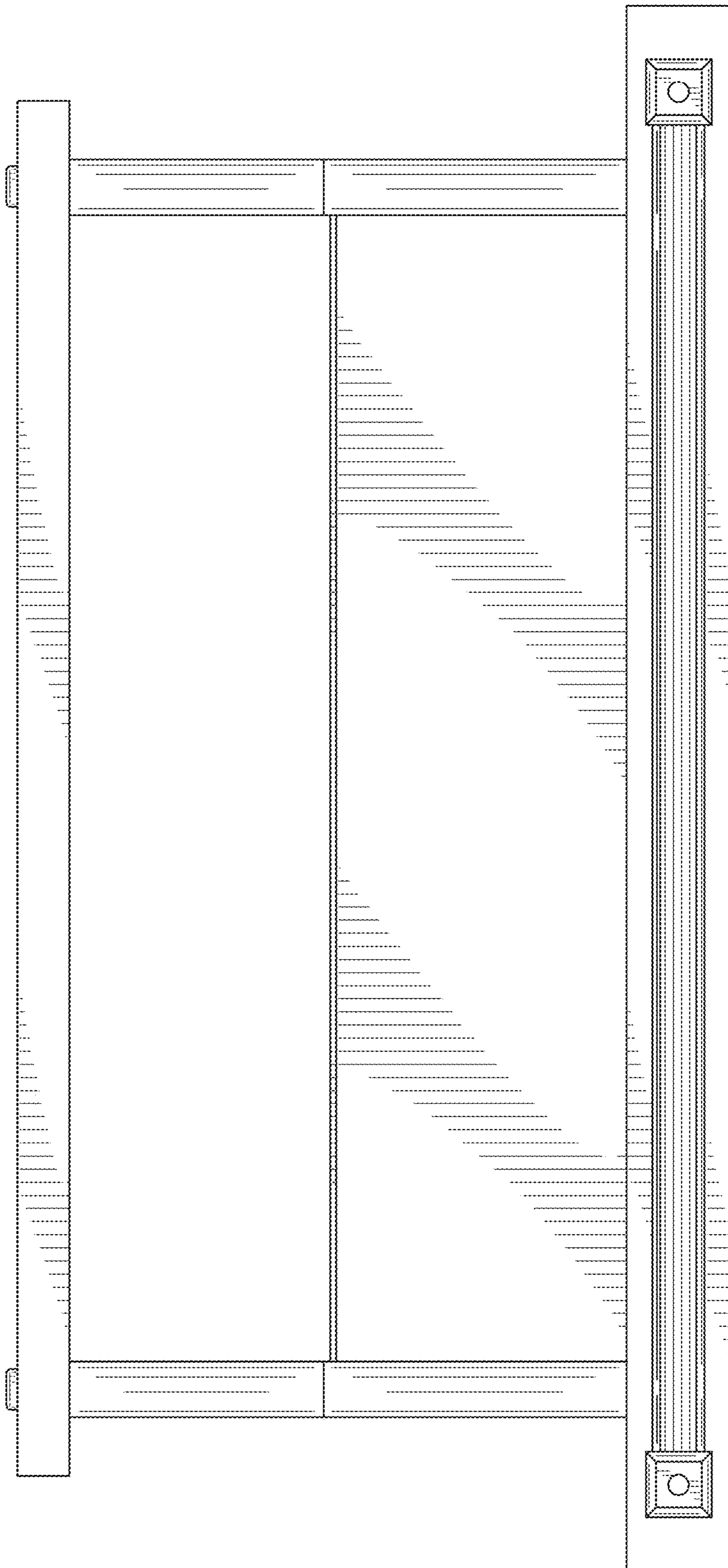


FIG. 2



FIG. 3

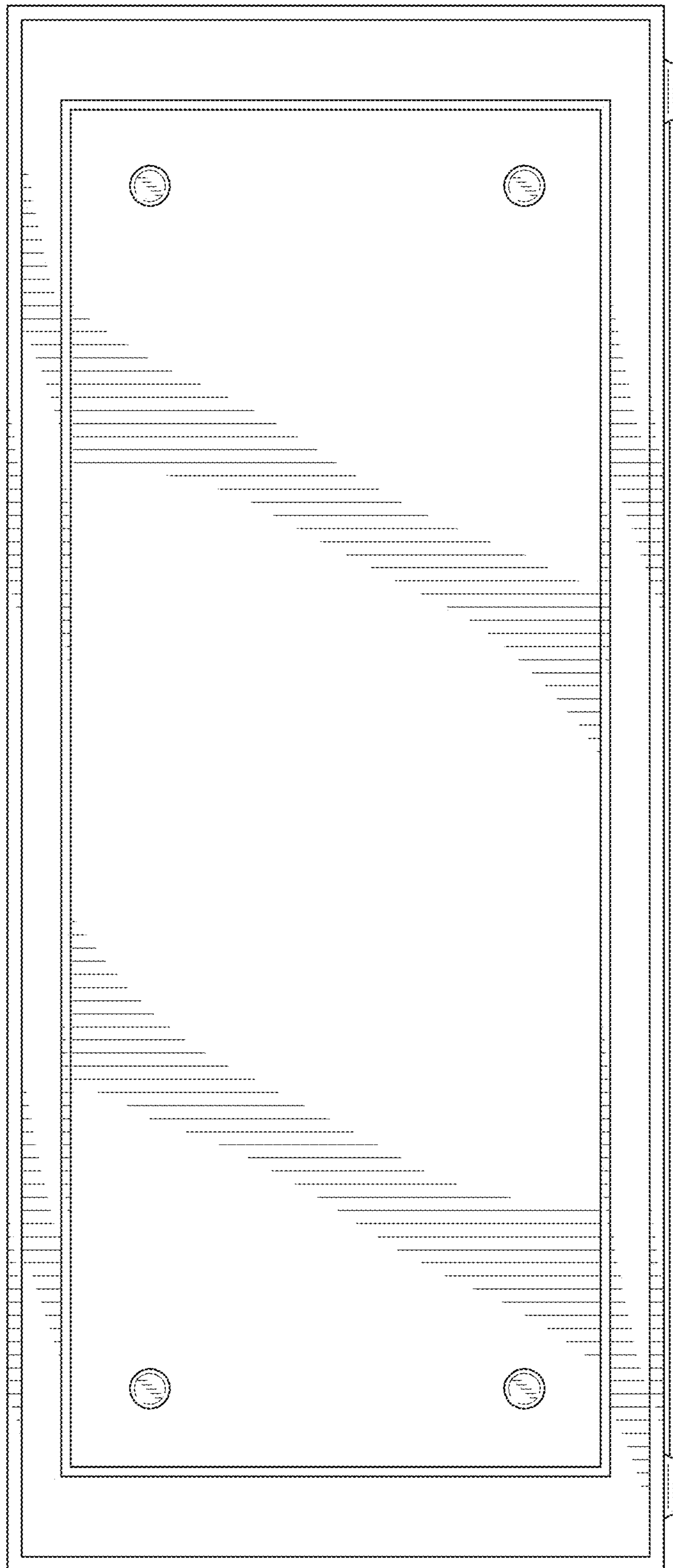


FIG. 4

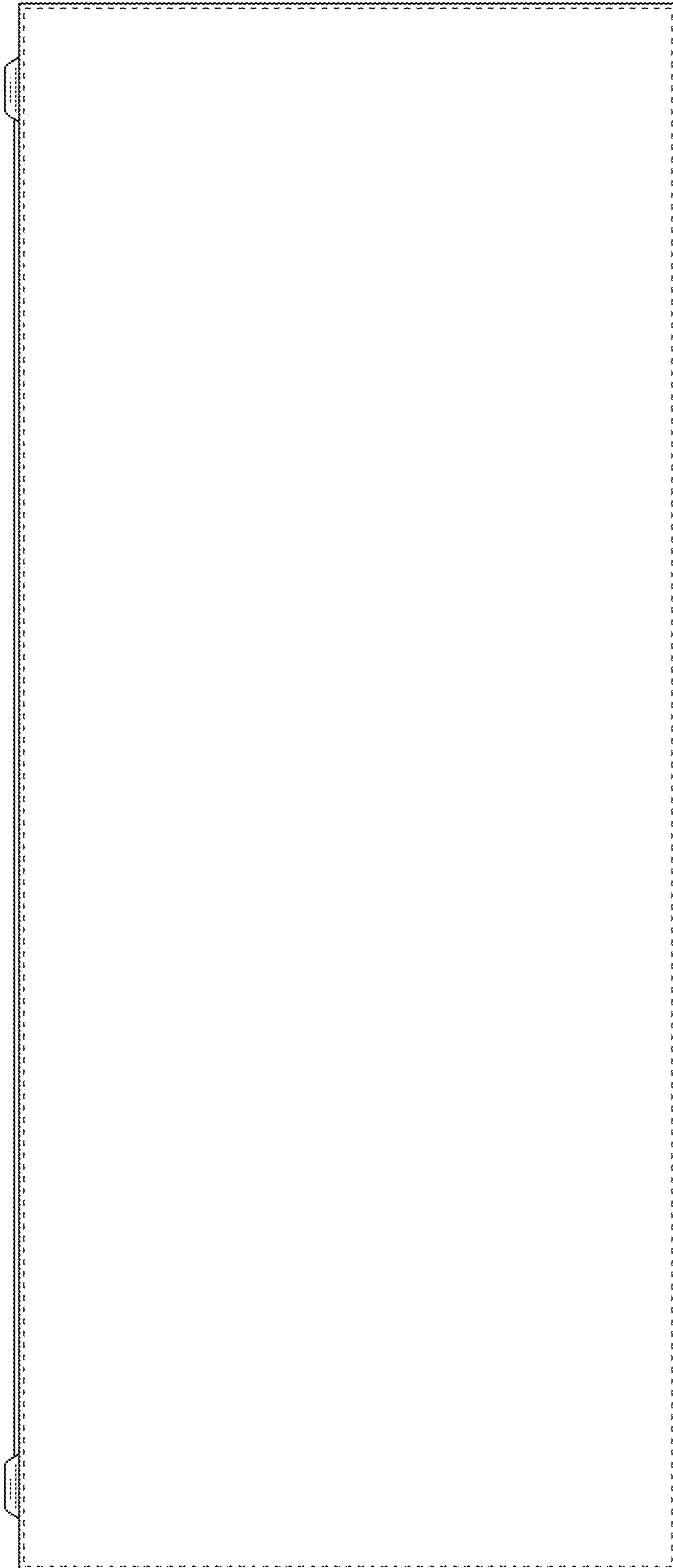


FIG. 5

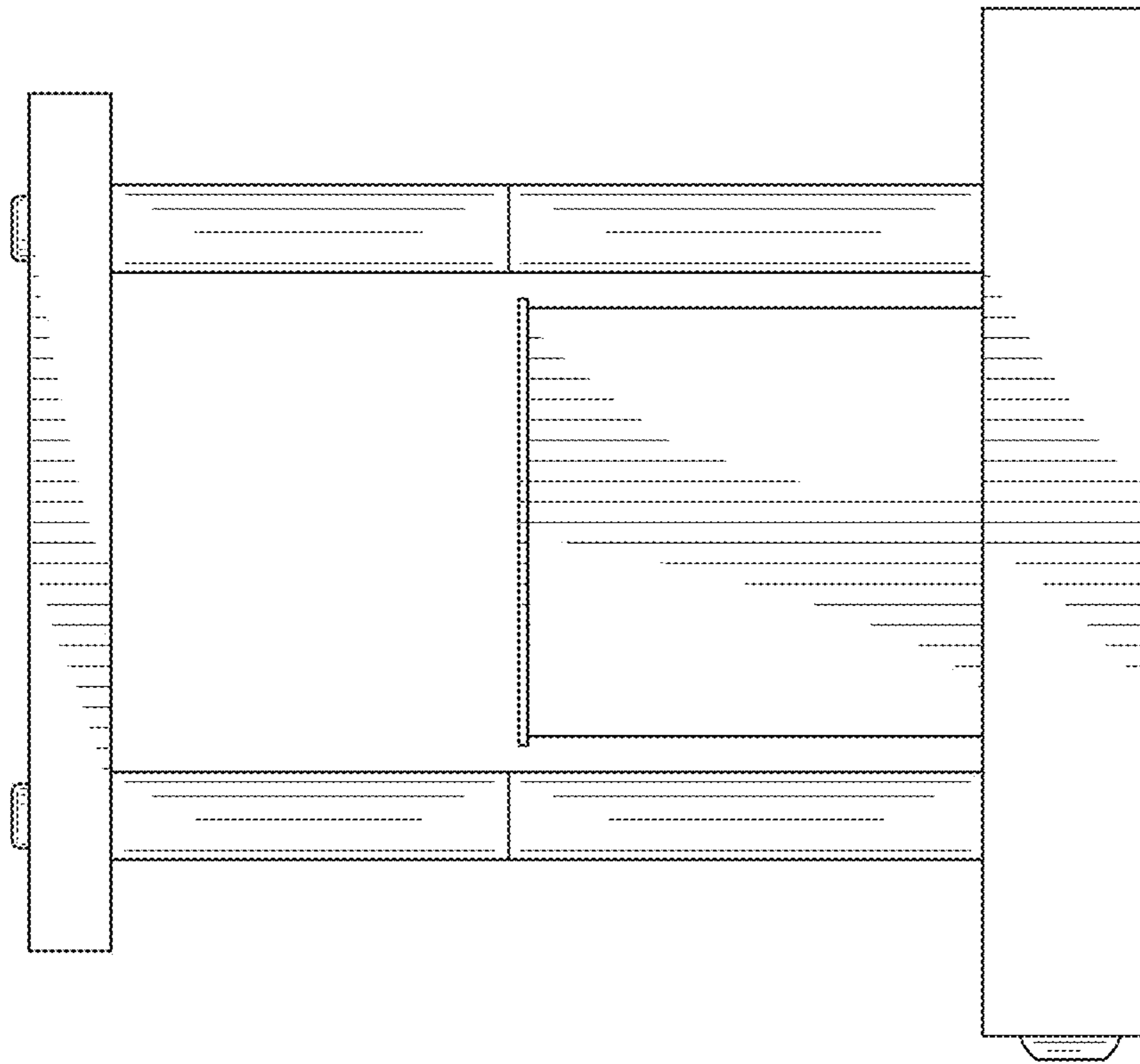


FIG. 7

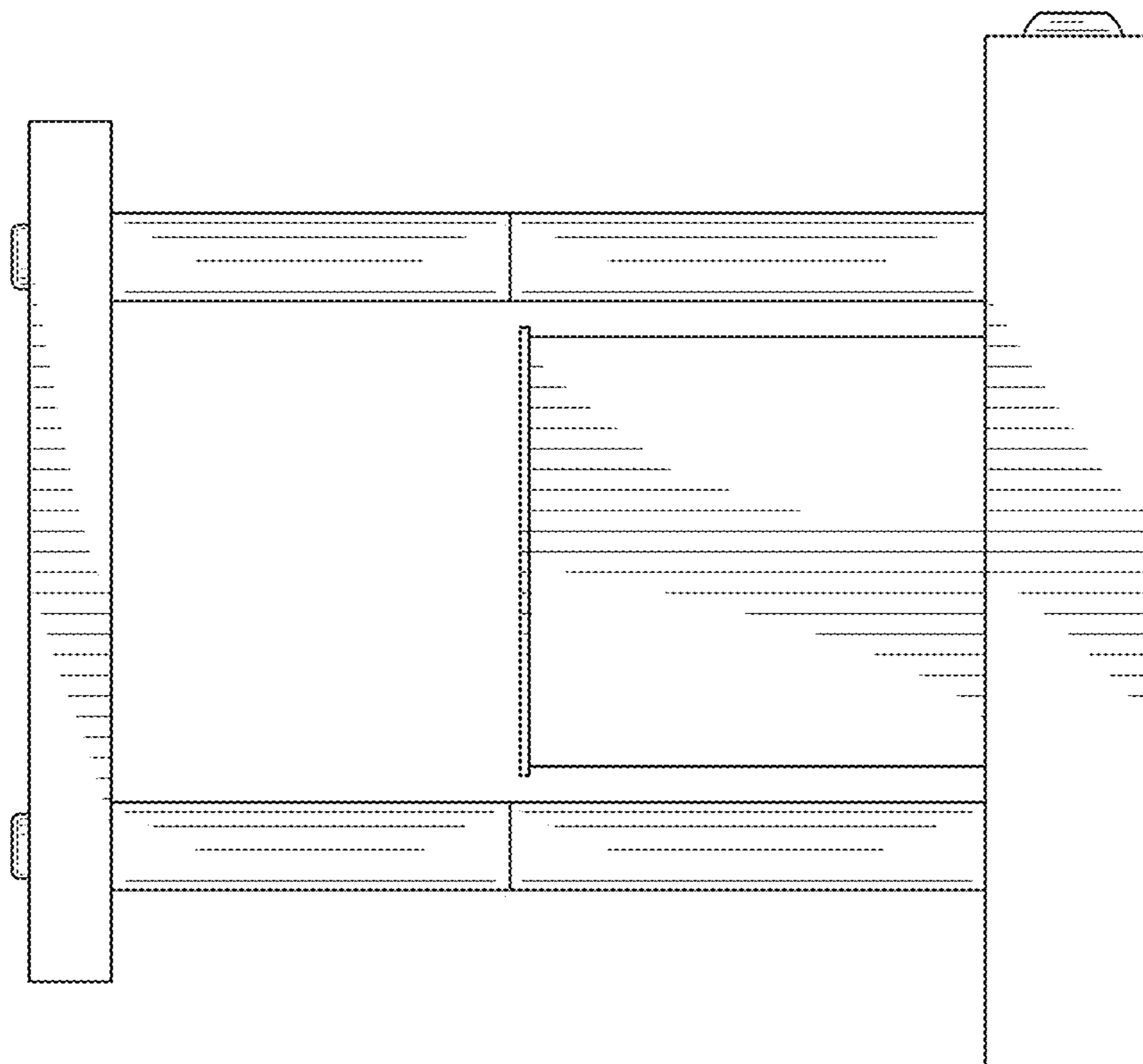


FIG. 6

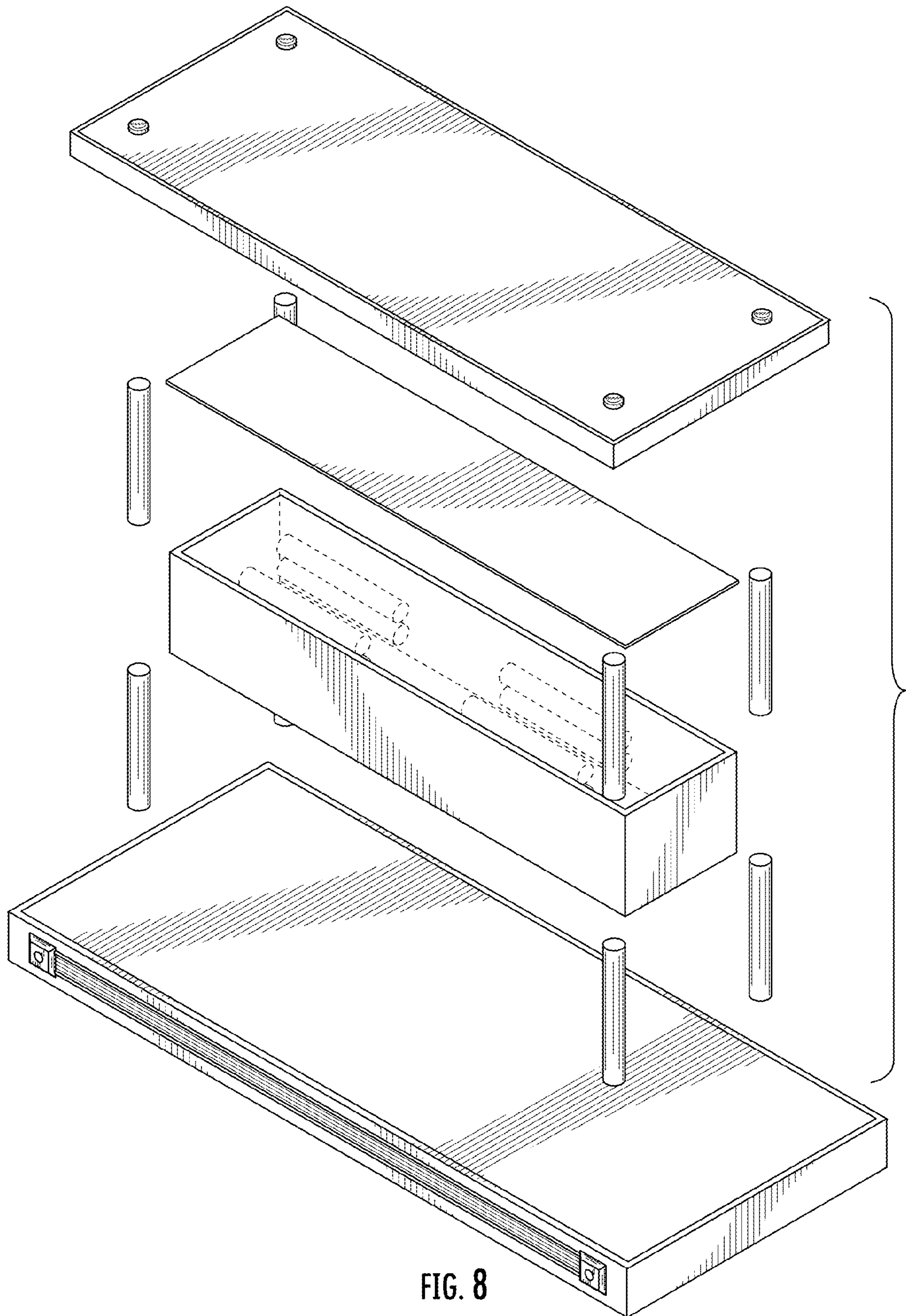


FIG. 8

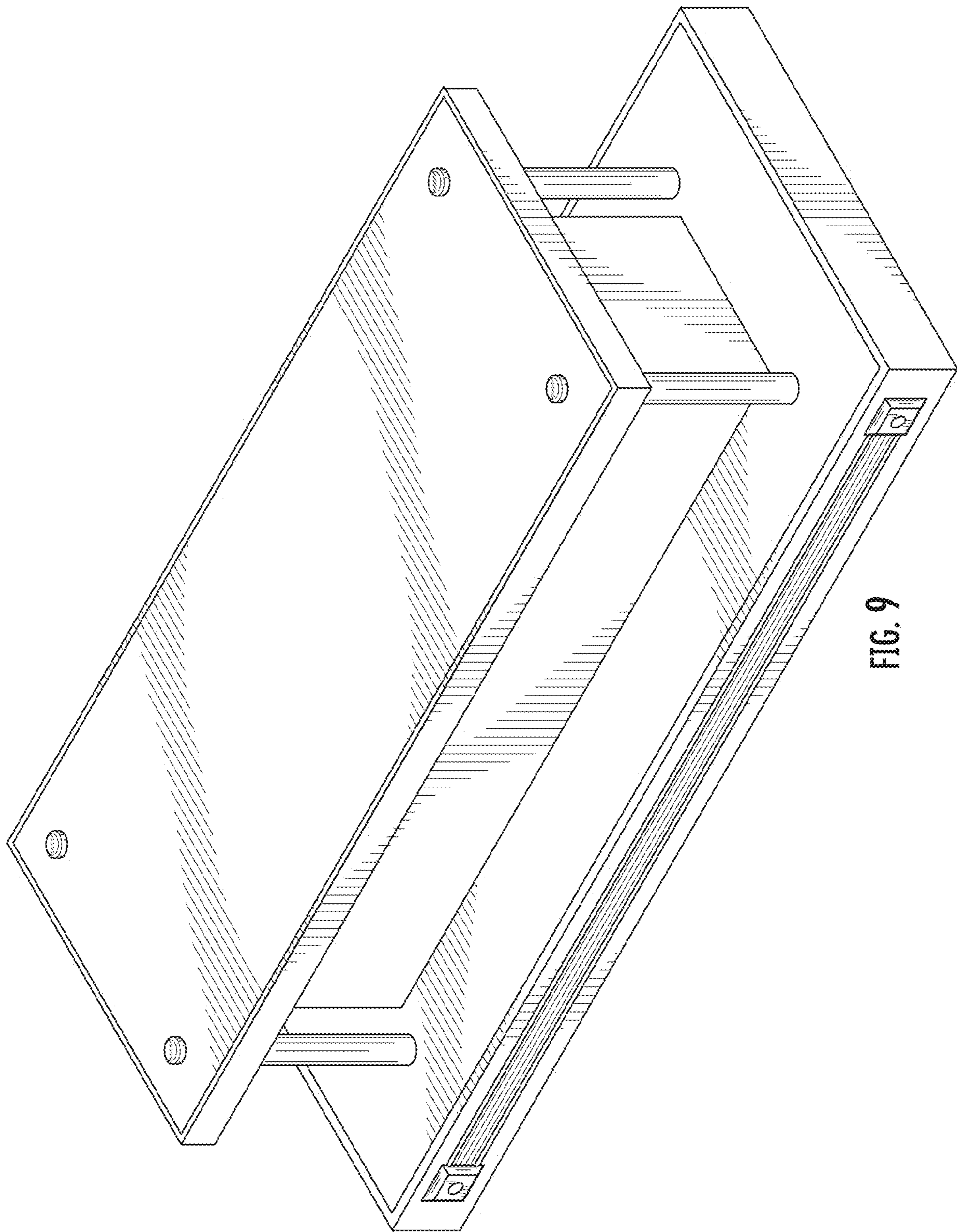


FIG. 9

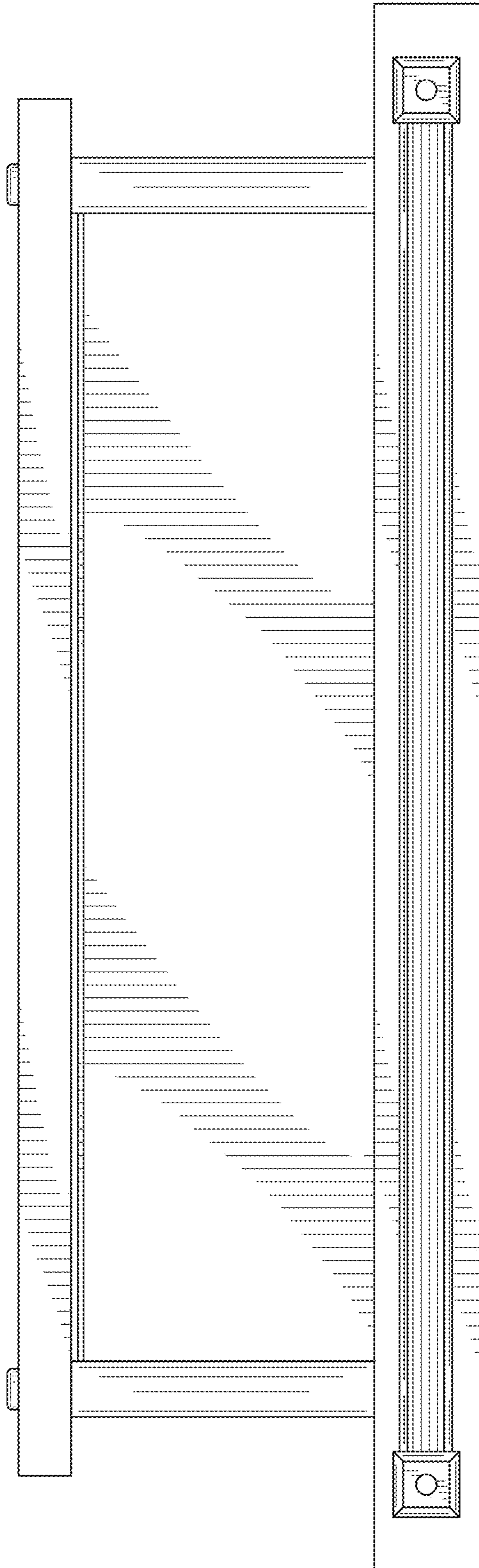


FIG. 10

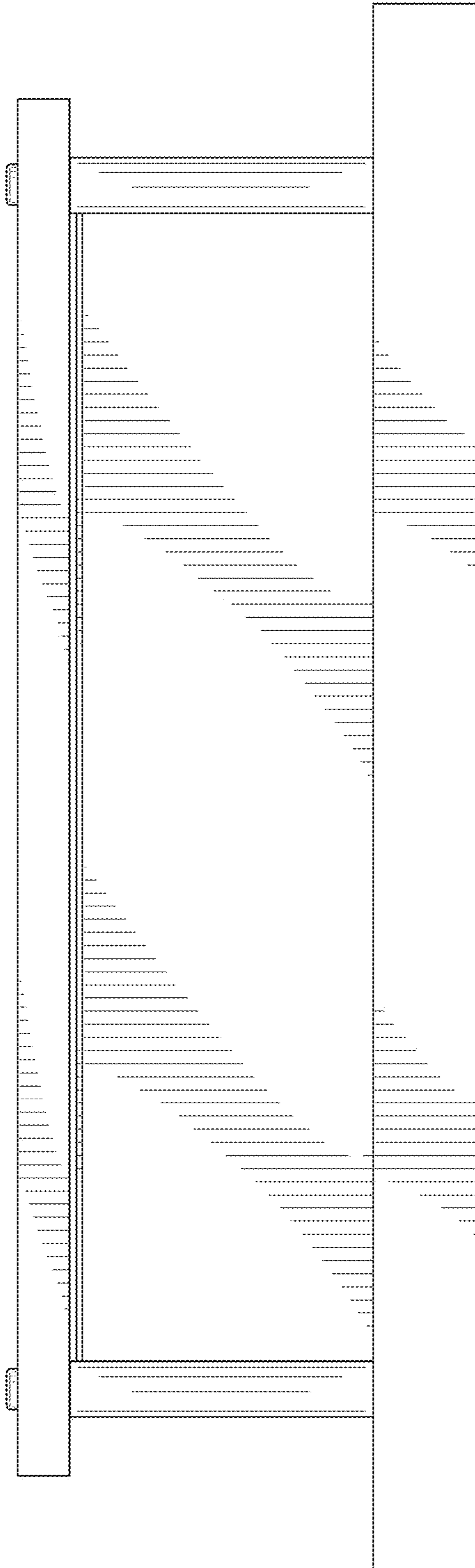


FIG. 11

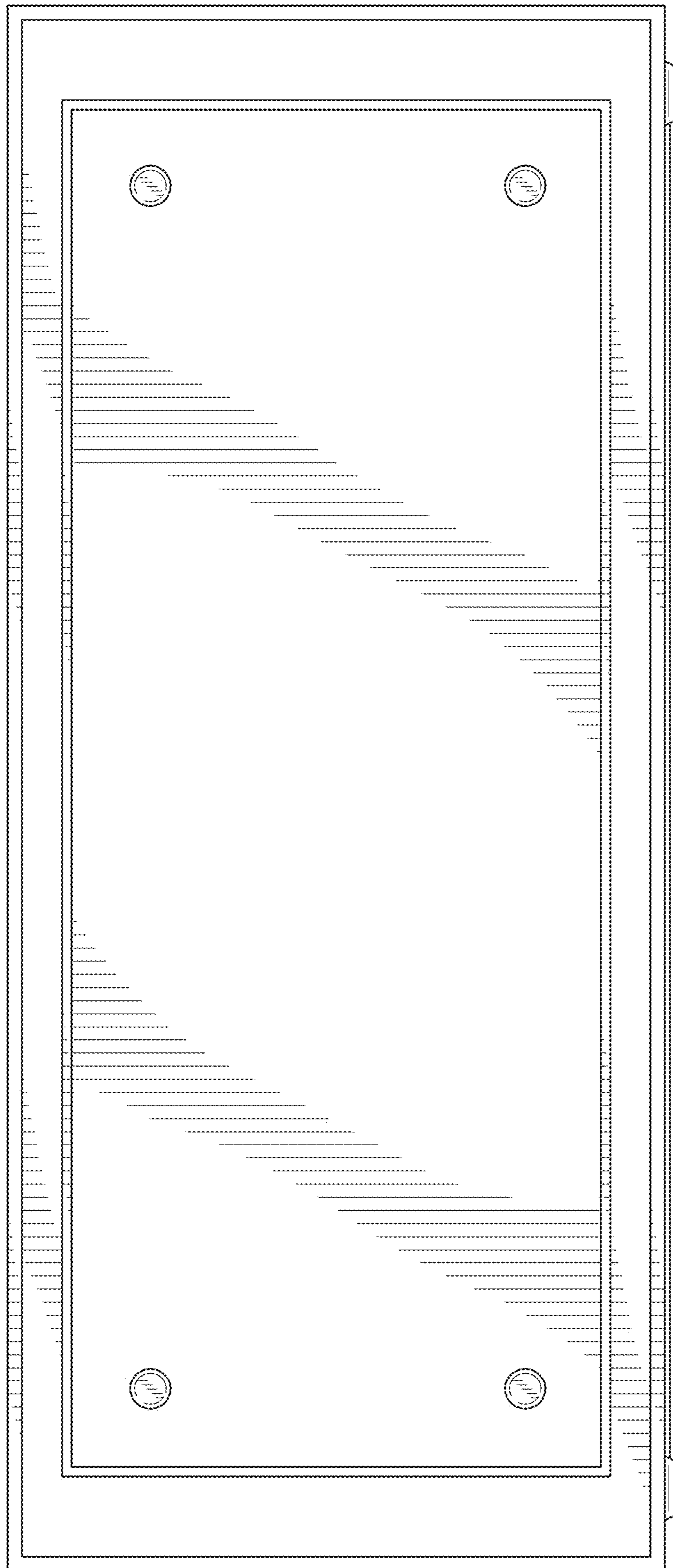


FIG. 12

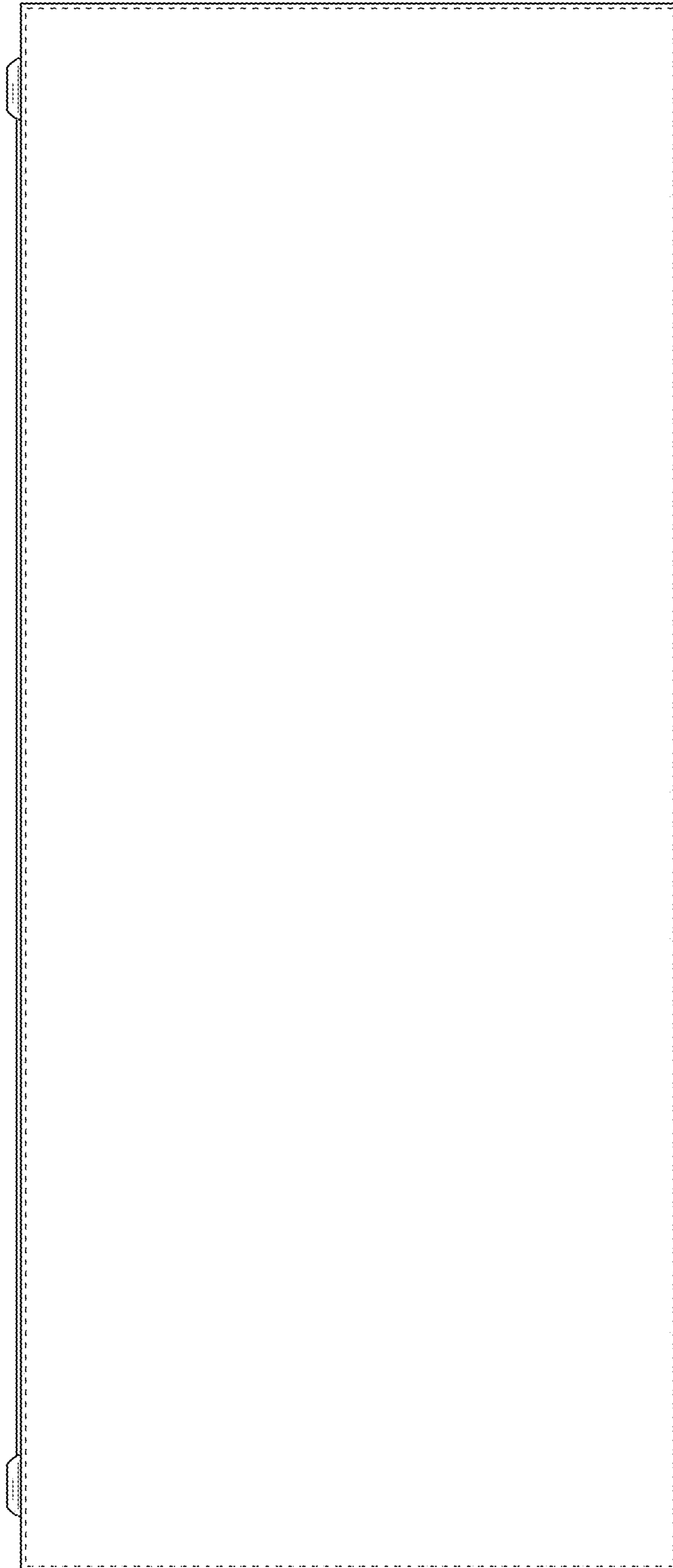


FIG. 13

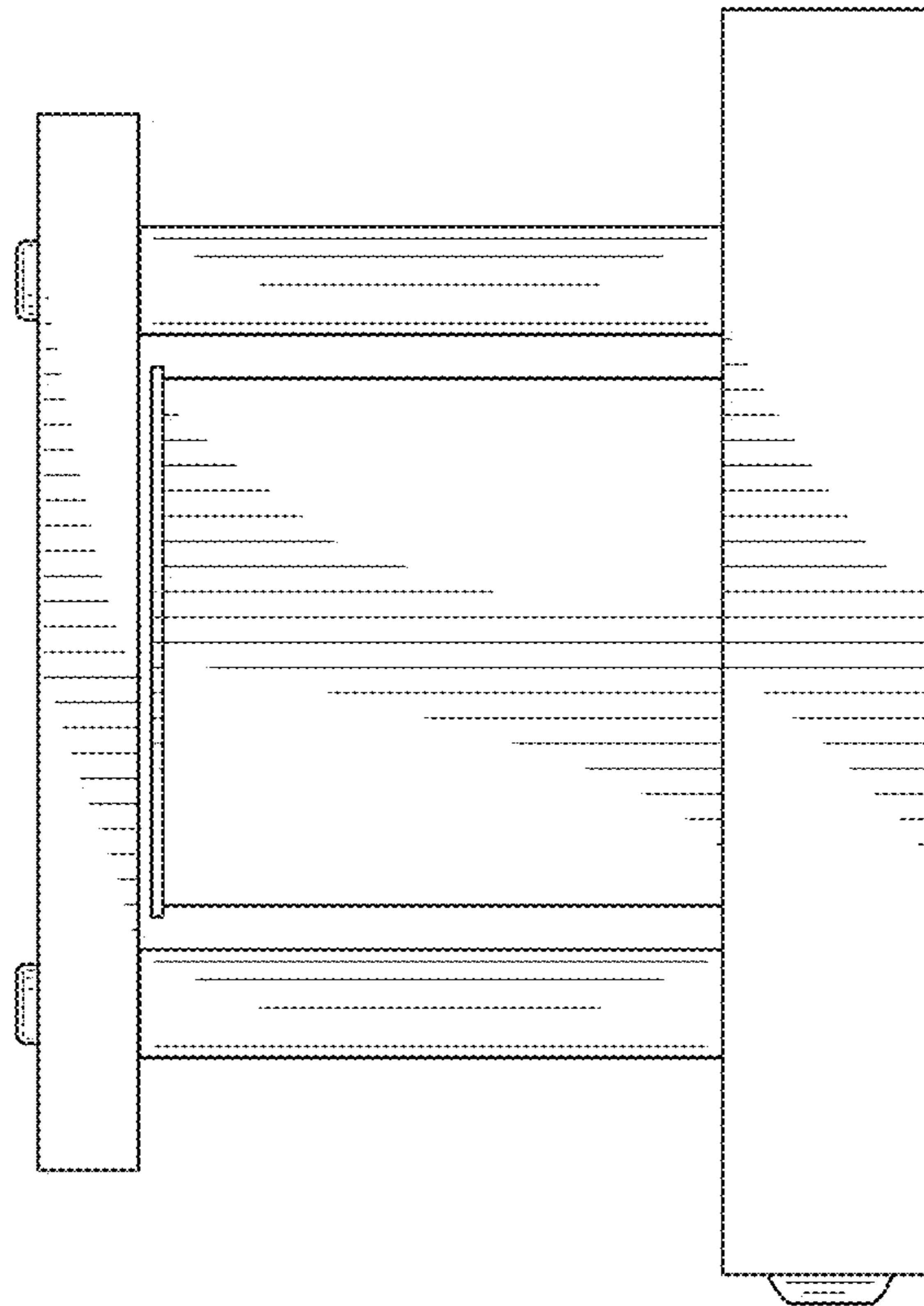


FIG. 15

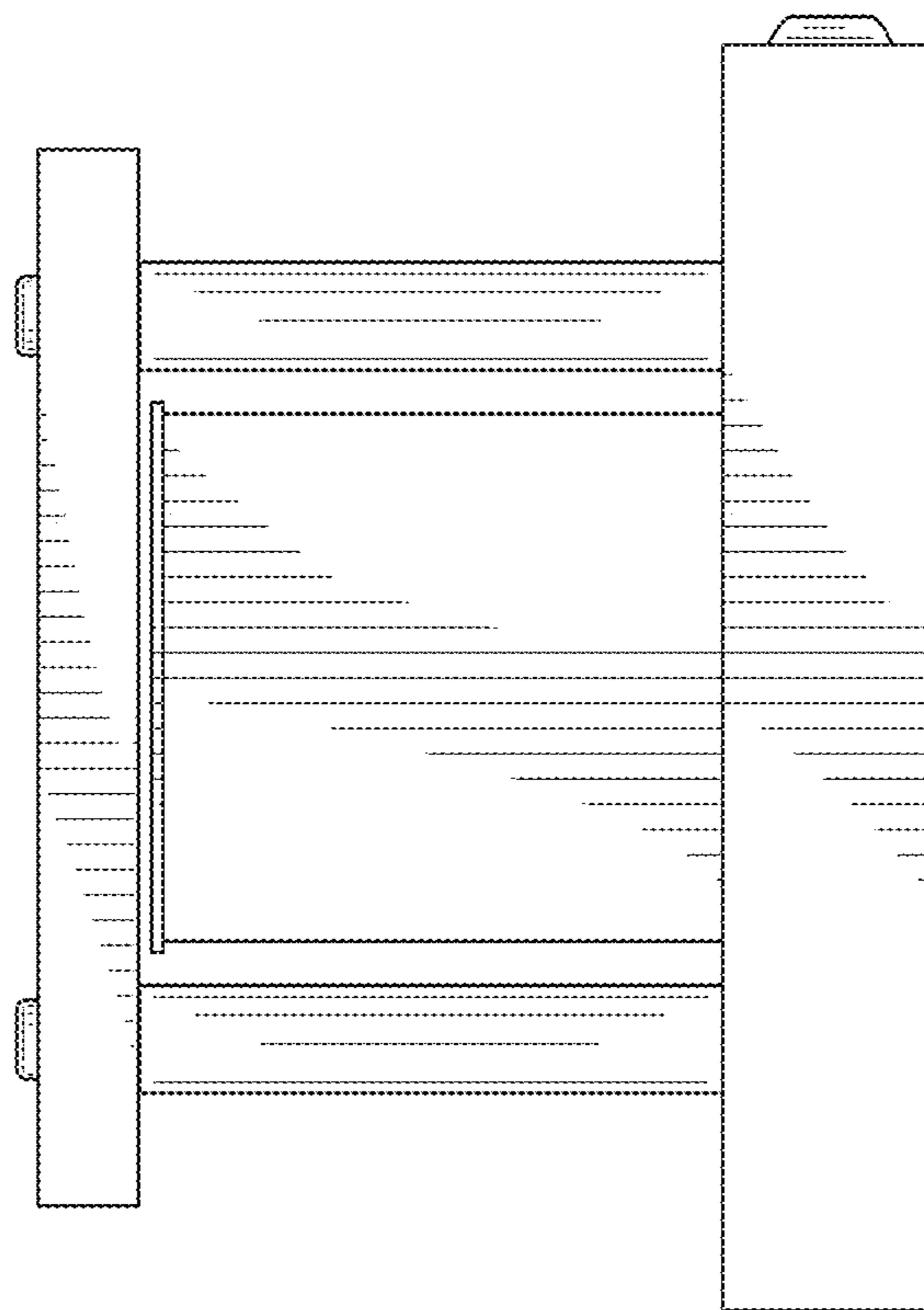


FIG. 14

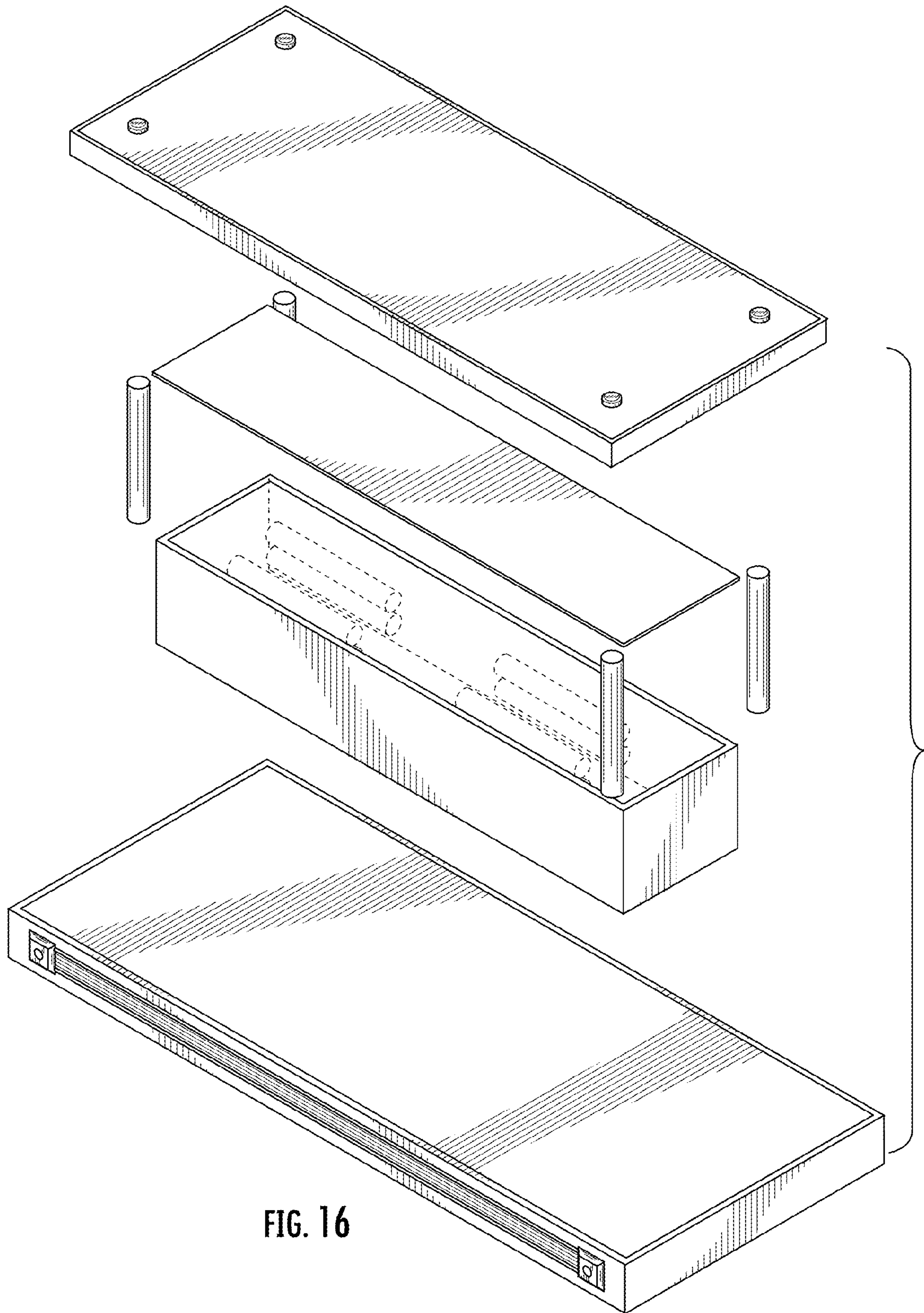


FIG. 16

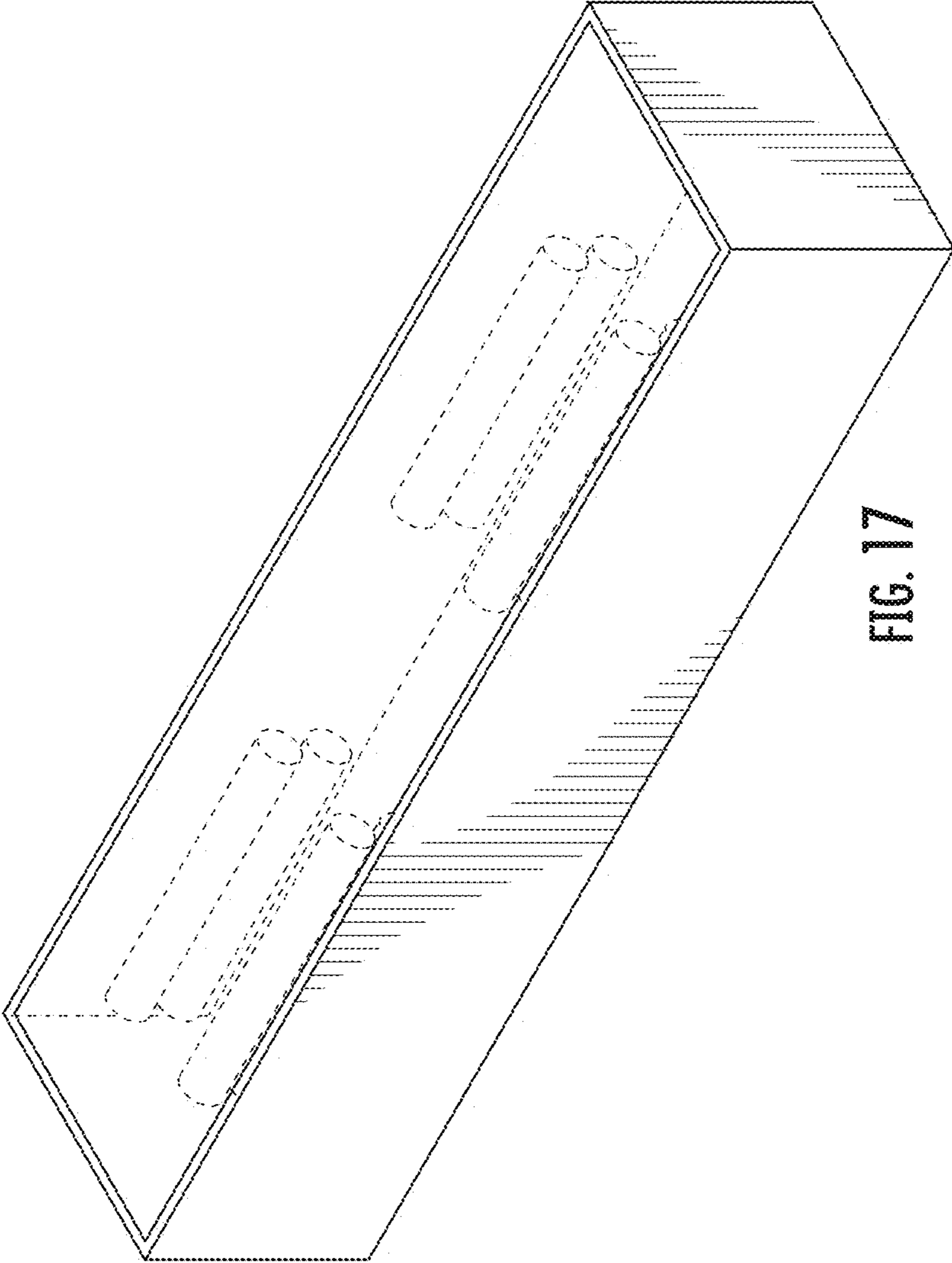


FIG. 17