



US00D870413S

(12) **United States Design Patent** (10) **Patent No.:** **US D870,413 S**
Clark (45) **Date of Patent:** **** Dec. 17, 2019**

(54) **CRANE**
(71) Applicant: **Joshua Thomas Clark**, Vancouver, WA (US)
(72) Inventor: **Joshua Thomas Clark**, Vancouver, WA (US)
(**) Term: **15 Years**
(21) Appl. No.: **29/648,389**
(22) Filed: **May 21, 2018**
(51) **LOC (12) Cl.** **12-05**
(52) **U.S. Cl.**
USPC **D34/33**
(58) **Field of Classification Search**
USPC D34/28, 33
CPC B66C 23/20; B66C 23/48; B66C 23/36;
B66C 23/50; B66C 23/62; B66C 19/02;
B66F 3/24
See application file for complete search history.

5,829,605 A * 11/1998 Poitras B60P 3/125
212/180
D644,811 S * 9/2011 Clark D34/33
D728,186 S * 4/2015 Clark D34/33
2017/0190550 A1 * 7/2017 Tranchero B66F 9/06

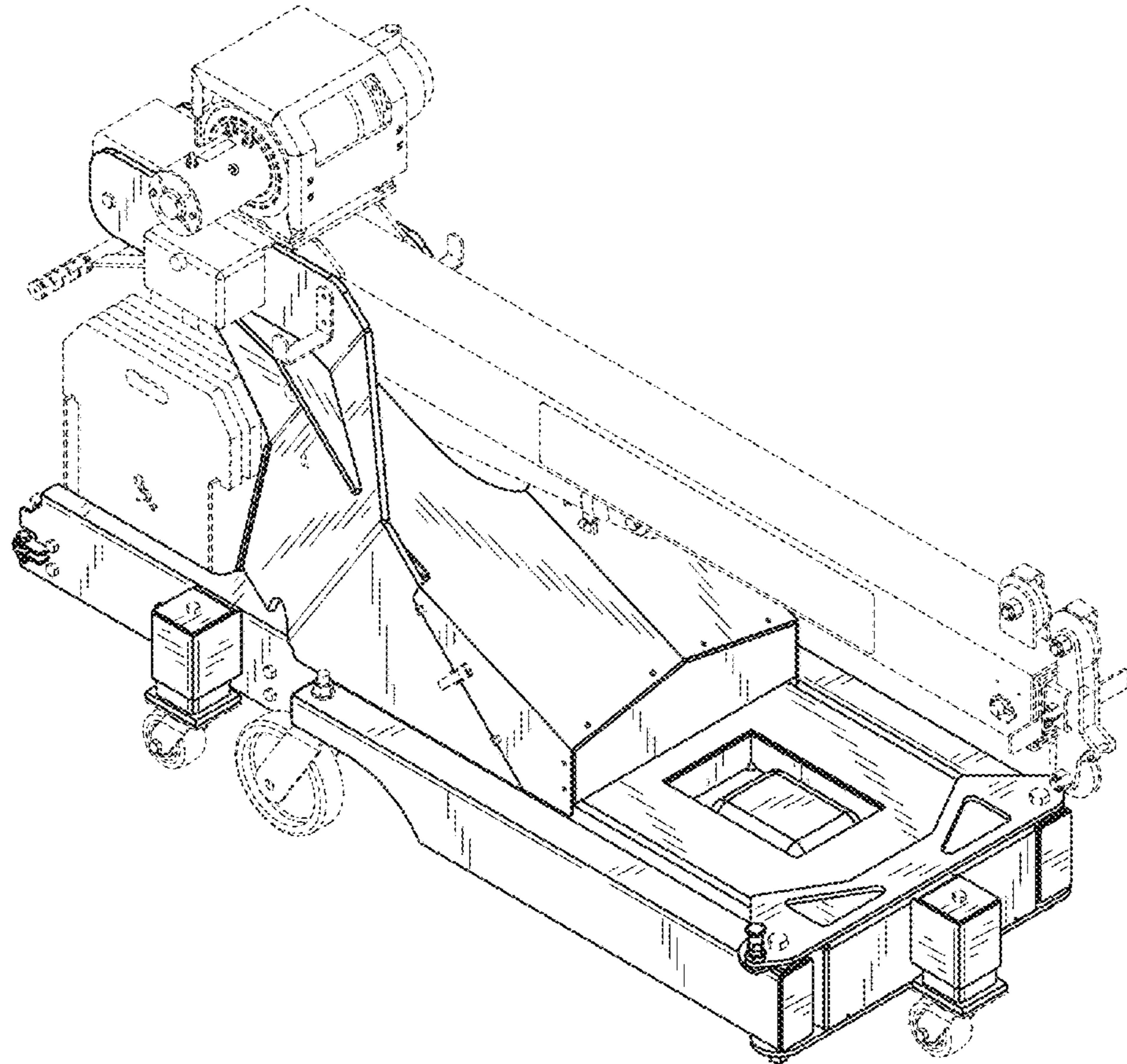
* cited by examiner
Primary Examiner — Cynthia Ramirez
(74) *Attorney, Agent, or Firm* — Dumlap Bennett & Ludwig PLLC; Brandon E. Squire

(57) **CLAIM**
The ornamental design for a crane, as shown and described.

DESCRIPTION
FIG. 1 is a front perspective view a crane showing my new design;
FIG. 2 is a front elevation view thereof;
FIG. 3 is a rear elevation view thereof;
FIG. 4 is a right side elevation view thereof;
FIG. 5 is a left side elevation view thereof;
FIG. 6 is a top plan view thereof; and,
FIG. 7 is a bottom plan view thereof.
The broken lines shown in the drawings illustrate portions of the crane that form no part of the claimed design.

(56) **References Cited**
U.S. PATENT DOCUMENTS
4,691,805 A * 9/1987 Kishi B66F 11/046
182/2.11
D323,052 S * 1/1992 Pollock D34/28

1 Claim, 6 Drawing Sheets



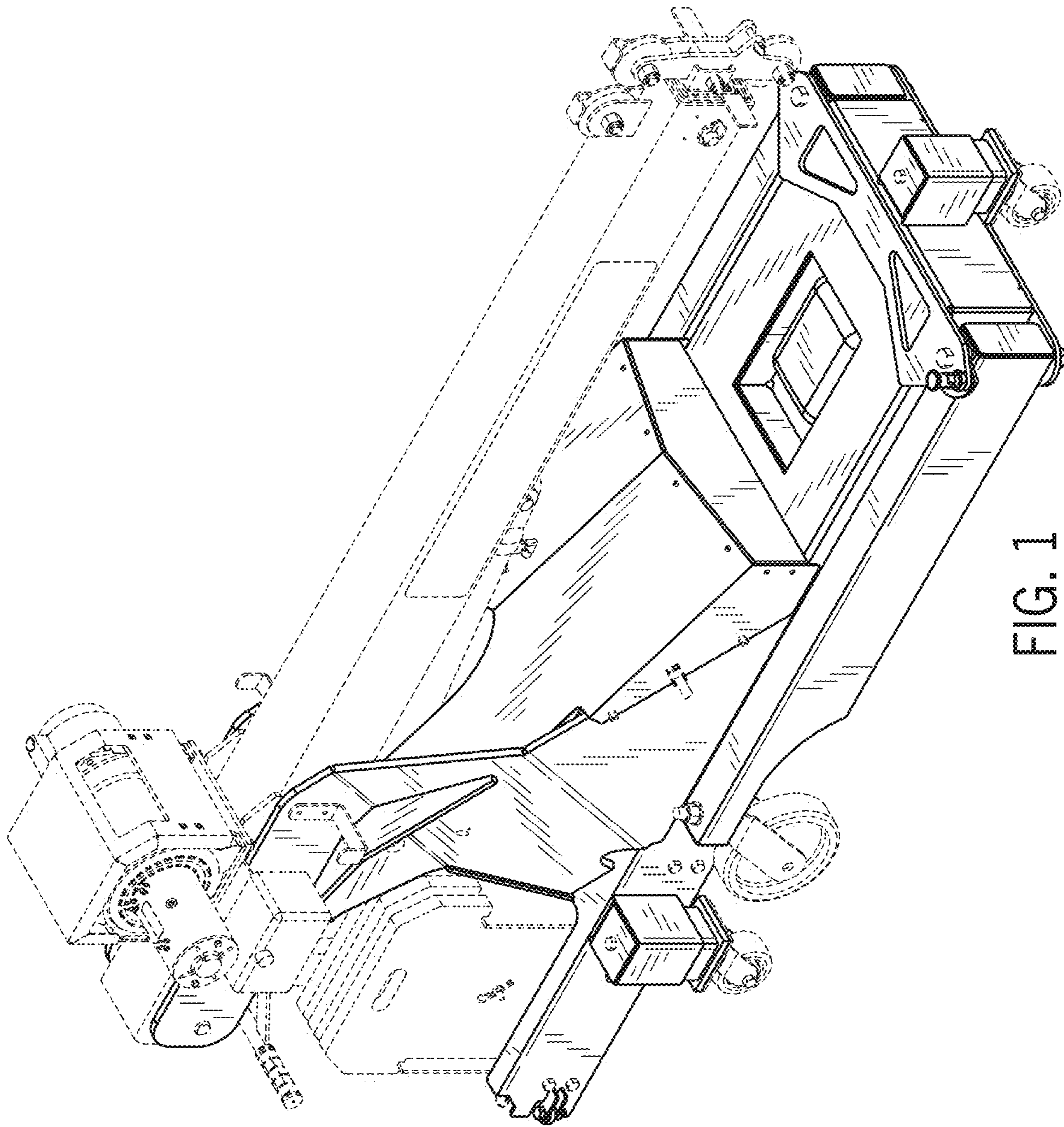


FIG. 1

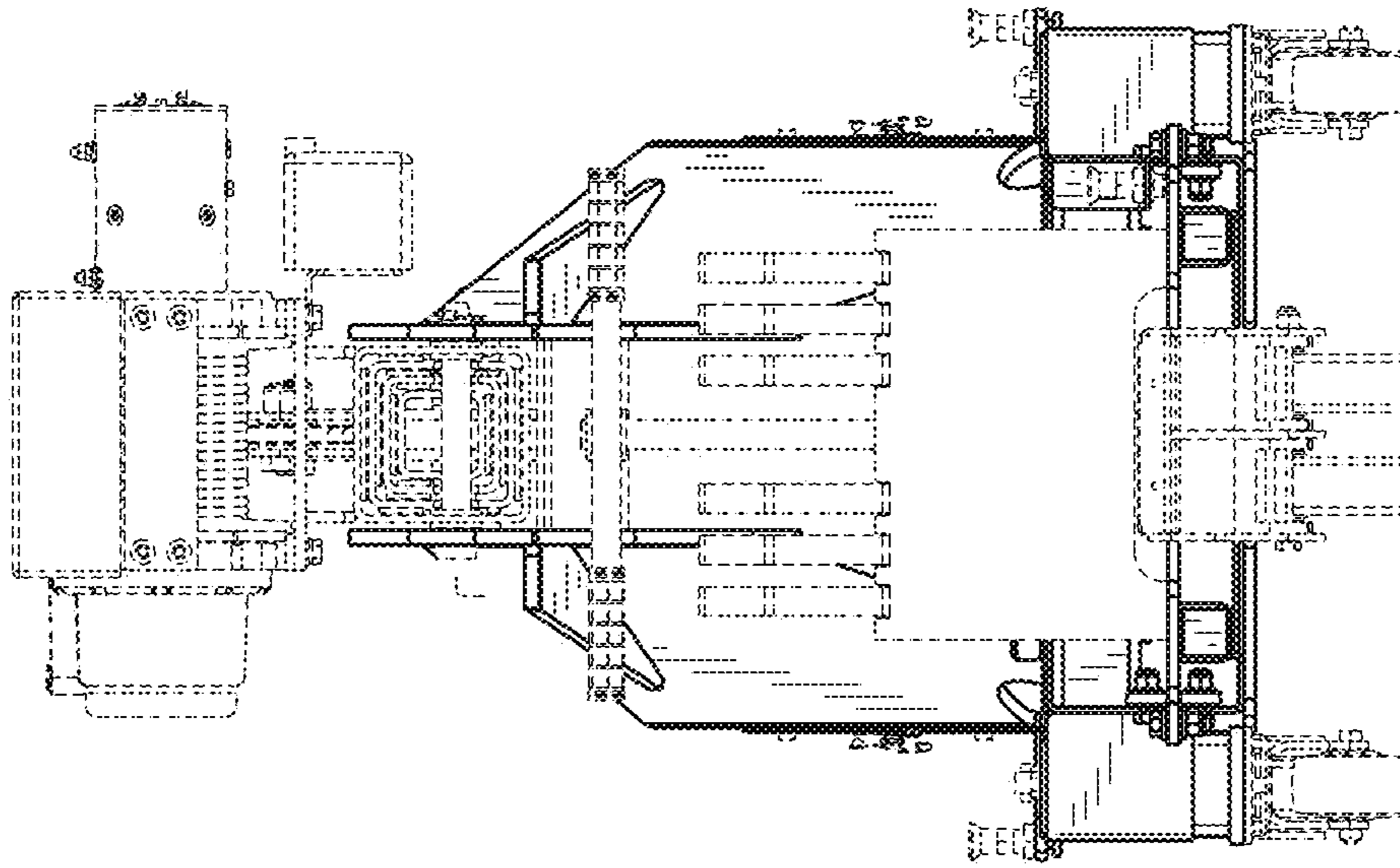


FIG. 2

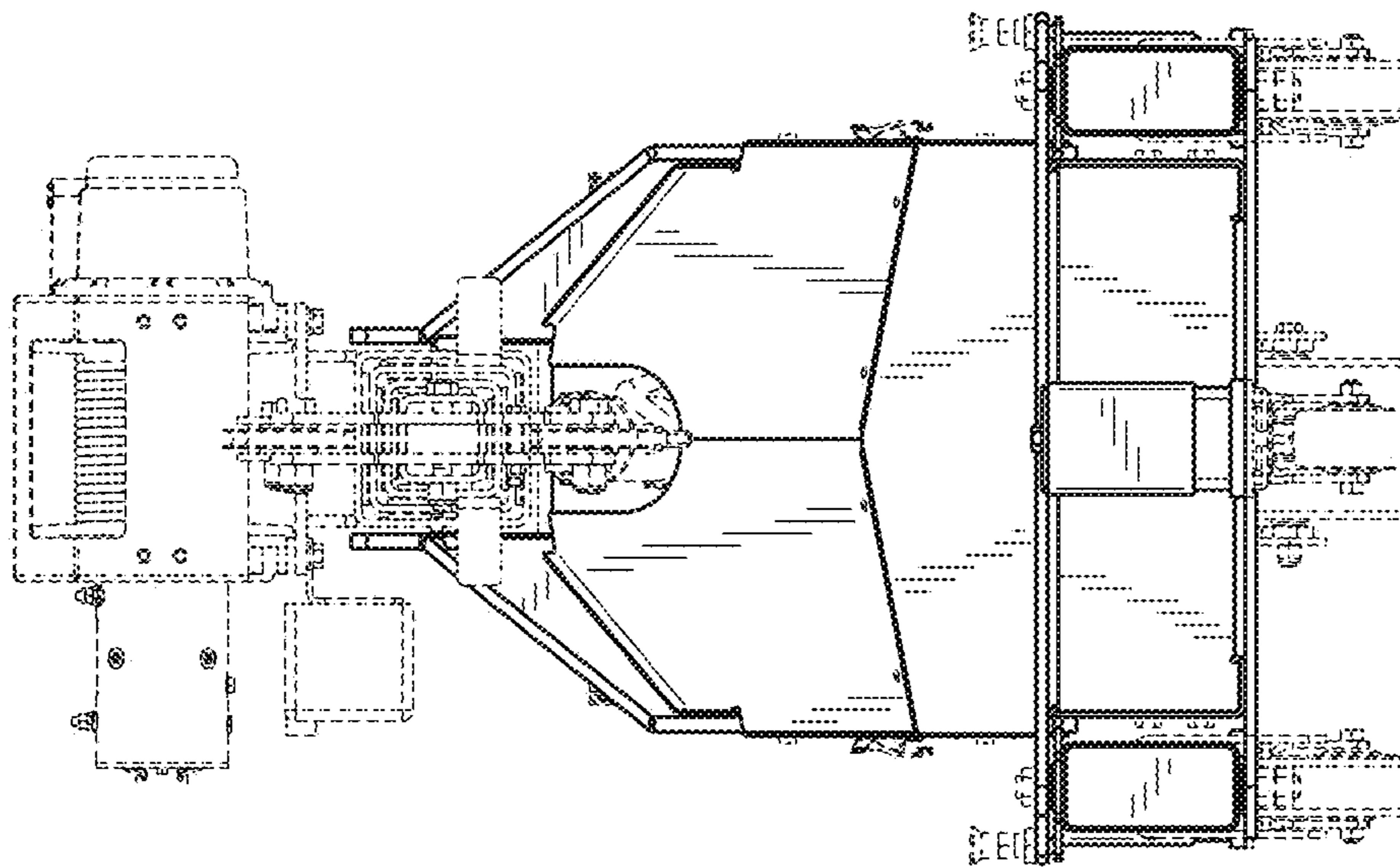


FIG. 3

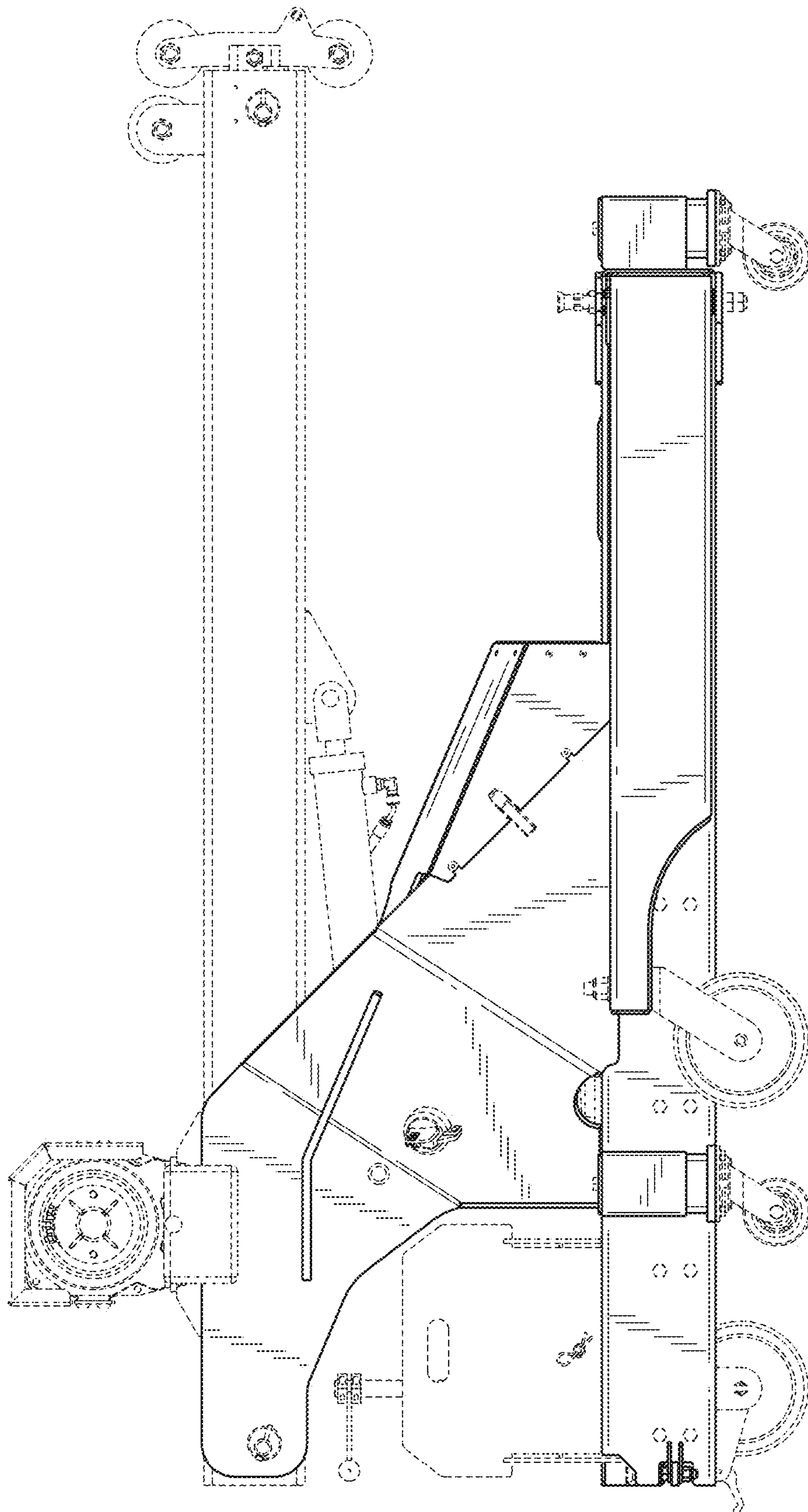


FIG. 4

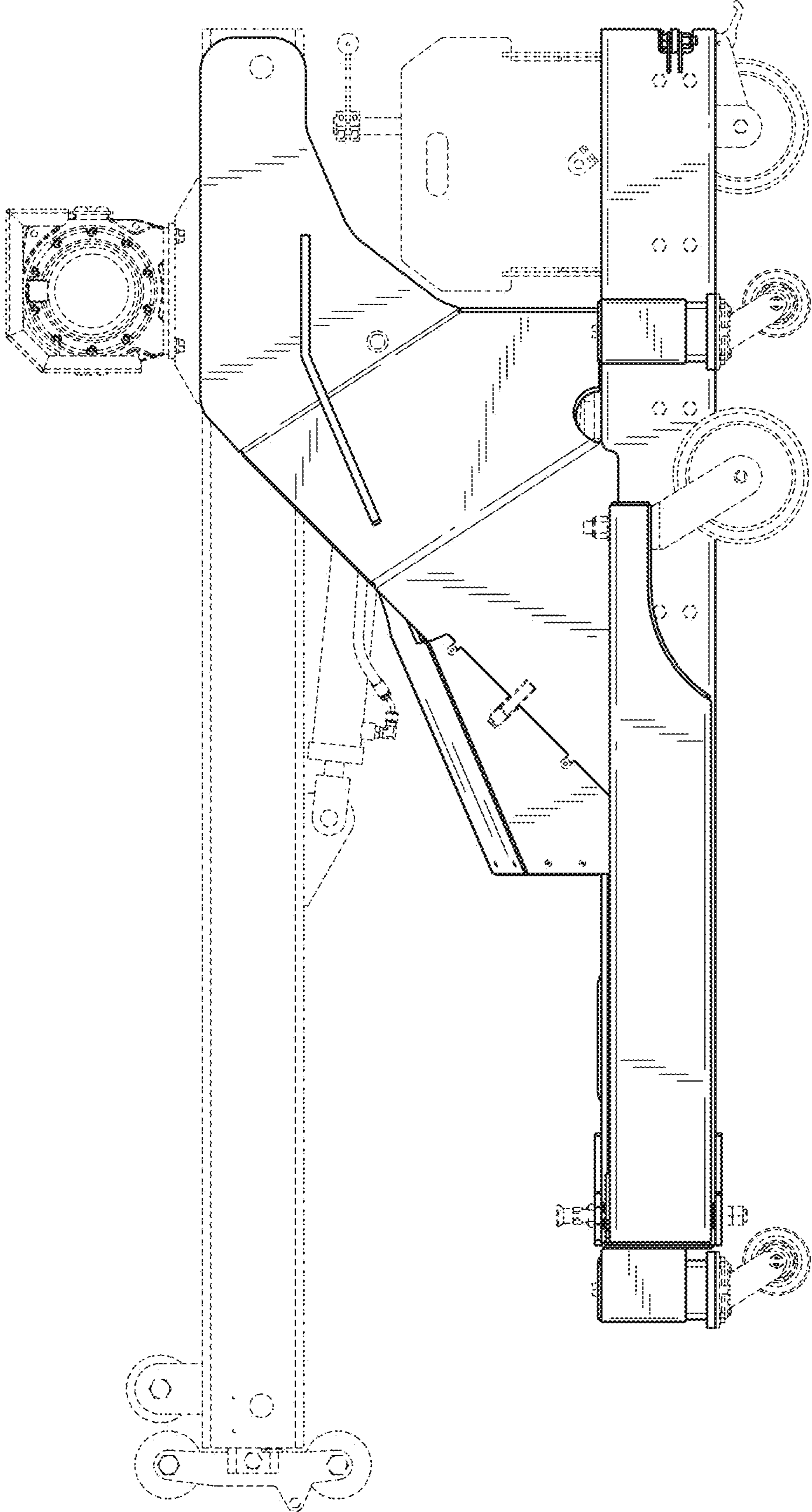


FIG. 5

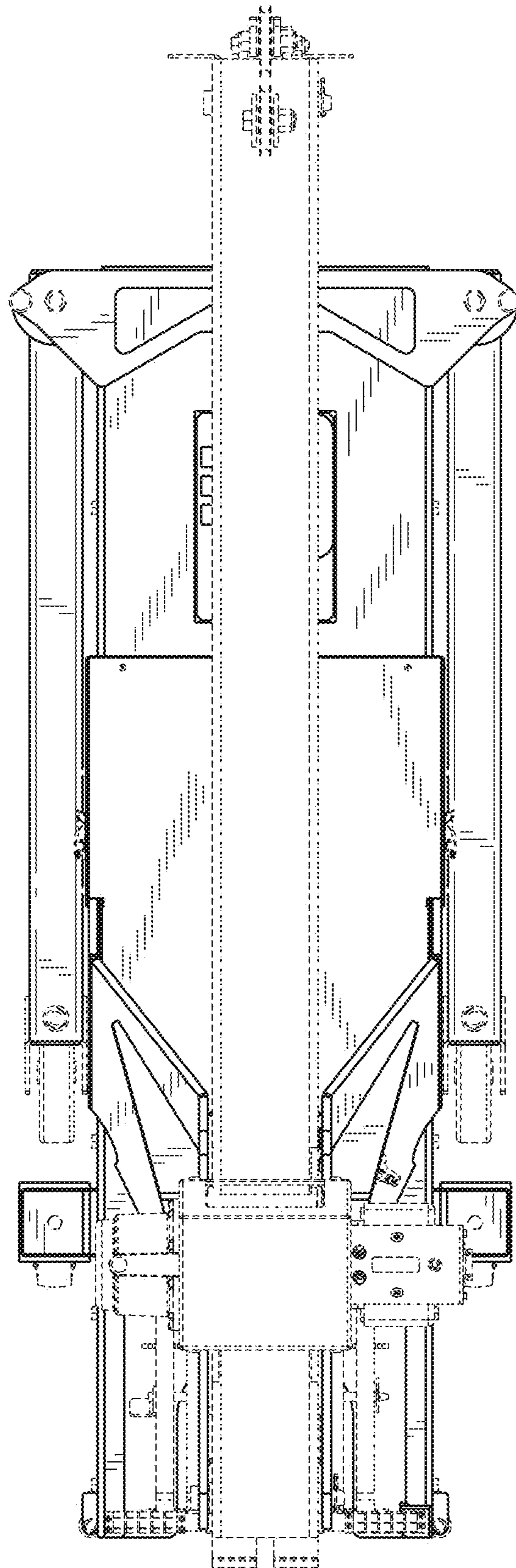


FIG. 6

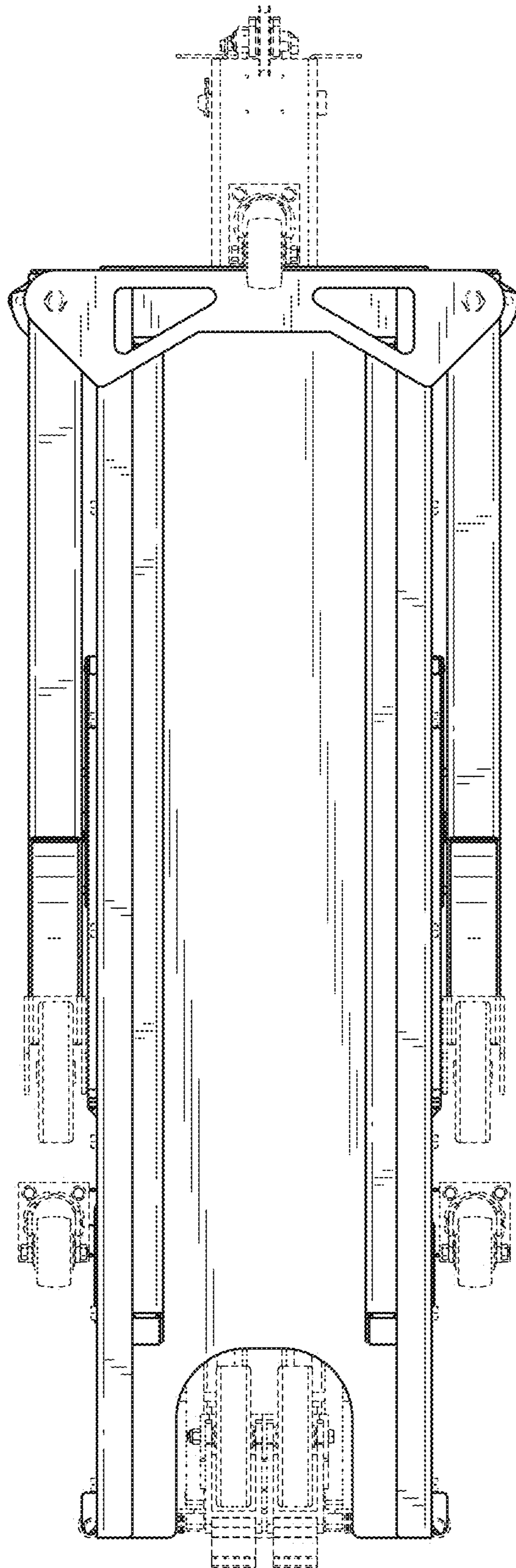


FIG. 7