



US00D870412S

(12) **United States Design Patent** (10) **Patent No.:** **US D870,412 S**
Harrison et al. (45) **Date of Patent:** **** *Dec. 17, 2019**

- (54) **CART**
- (71) Applicant: **Unarco Industries LLC**, Wagoner, OK (US)
- (72) Inventors: **William Timothy Harrison**, Muskogee, OK (US); **Gregory Eric Dallen**, Broken Arrow, OK (US); **Ryan Witchey**, Olathe, KS (US)
- (73) Assignee: **Unarco Industries LLC**, Wagoner, OK (US)

6,749,204 B2	6/2004	Werner	
7,063,337 B2	6/2006	Russell et al.	
D530,478 S	10/2006	Splain et al.	
D546,021 S	7/2007	Splain et al.	
D550,423 S	9/2007	Splain et al.	
D556,413 S	11/2007	Splain et al.	
7,384,049 B2	6/2008	Peota et al.	
7,416,194 B2	8/2008	Splain et al.	
D591,474 S *	4/2009	Peota	D34/27
7,600,763 B2	10/2009	Splain et al.	
7,766,347 B2	8/2010	Ryan et al.	
7,793,948 B2	9/2010	Splain et al.	
D628,759 S	12/2010	Walter	
7,959,166 B2	6/2011	Splain et al.	
D644,810 S	9/2011	Peota et al.	
D646,041 S	9/2011	Berthiaume et al.	
8,096,564 B2	1/2012	Berthiaume et al.	

- (*) Notice: This patent is subject to a terminal disclaimer.
- (**) Term: **15 Years**

- (21) Appl. No.: **29/632,694**
- (22) Filed: **Jan. 9, 2018**
- (51) **LOC (12) Cl.** **12-02**
- (52) **U.S. Cl.**
USPC **D34/27**
- (58) **Field of Classification Search**
USPC D34/12-27
CPC B62B 3/027; B62B 3/1444; B62B 3/14;
B62B 3/144; B62B 3/1496; B62B 3/1404;
B62B 5/06; B62B 3/02; B62B 2202/67;
B62B 5/00; B62B 5/0006; B62B 5/069;
B62B 5/0423
See application file for complete search history.

(56) **References Cited**
U.S. PATENT DOCUMENTS

2,890,057 A	6/1959	Davis
2,906,542 A	9/1959	Hoedinghaus et al.
2,931,662 A	4/1960	Young
3,195,912 A	7/1965	Howard
D283,264 S	4/1986	Levy-Joseph
D294,419 S	2/1988	Rehrig

OTHER PUBLICATIONS

Jun. 27, 2019 (US) Office Action—U.S. Appl. No. 16/242,100.

Primary Examiner — Cynthia Ramirez

(74) *Attorney, Agent, or Firm* — Banner & Witcoff, Ltd.

(57) **CLAIM**

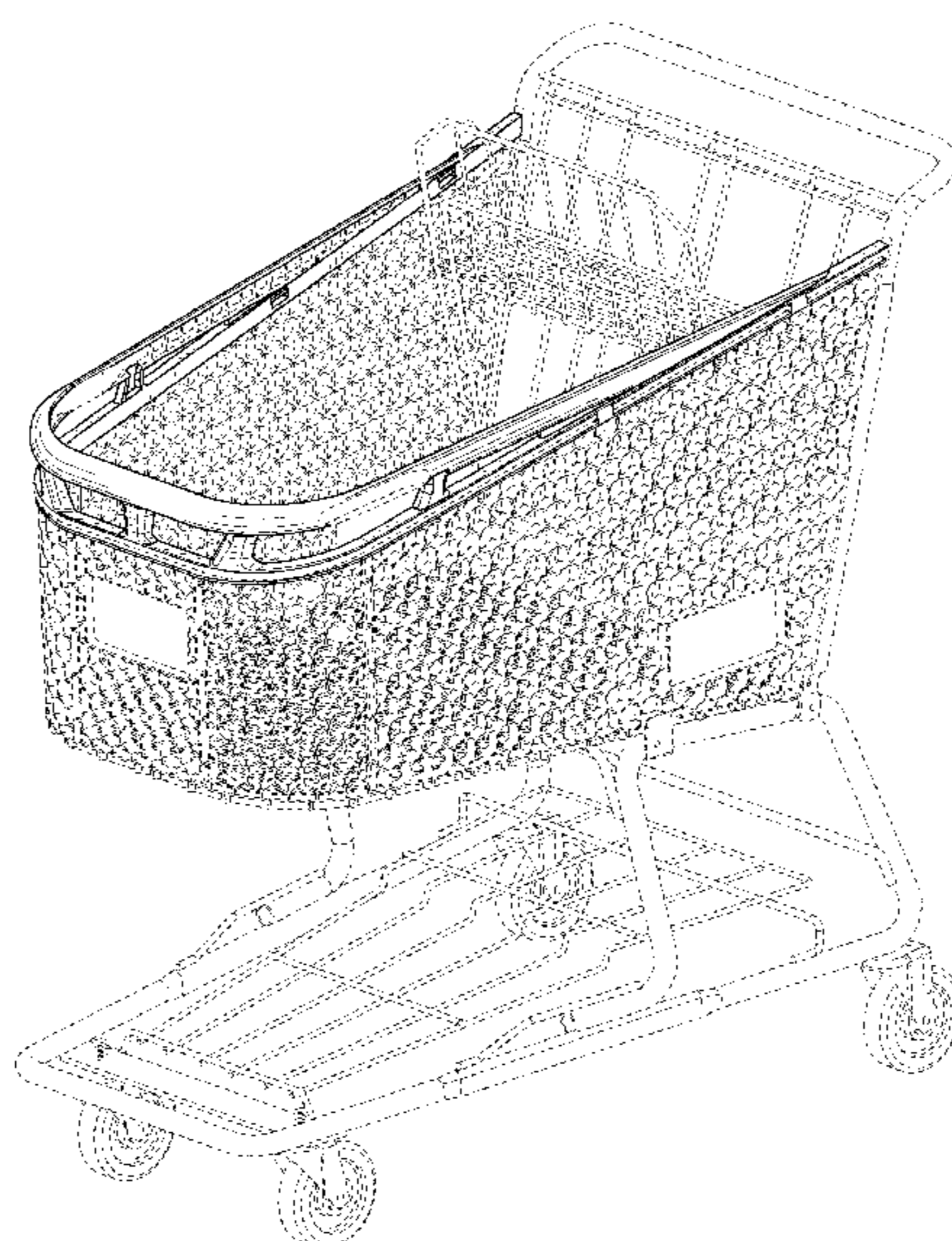
The ornamental design for a cart, as shown and described.

DESCRIPTION

FIG. 1 is a top, front, right perspective view of a cart showing our new design;
FIG. 2 is a front view thereof;
FIG. 3 is a rear view thereof;
FIG. 4 is a right side view thereof;
FIG. 5 is a left side view thereof;
FIG. 6 is a top view thereof; and,
FIG. 7 is a bottom view thereof.

The broken lines immediately adjacent to the shaded area define the bounds of the claimed design and form no part thereof. The other broken lines show portions of the cart which form no part of the claimed design.

1 Claim, 6 Drawing Sheets



(56)

References Cited

U.S. PATENT DOCUMENTS

8,469,373	B2	6/2013	Berthiaume et al.	
8,684,371	B2	4/2014	Berthiaume et al.	
D802,868	S *	11/2017	Sherman	D34/27
D802,869	S *	11/2017	Sherman	D34/27
D818,237	S	5/2018	Walter et al.	
D821,049	S	6/2018	Lazzarino et al.	
2002/0135144	A1	9/2002	Murar et al.	
2003/0057666	A1 *	3/2003	Murar	B62B 3/14 280/33.991
2004/0046341	A1	3/2004	Wilkinson	
2007/0063461	A1 *	3/2007	Peota	B62B 3/144 280/33.992
2007/0063464	A1	3/2007	Splain et al.	
2009/0160146	A1	6/2009	Berthiaume et al.	
2012/0304440	A1	12/2012	Berthiaume et al.	
2013/0300076	A1	11/2013	Berthiaume et al.	

* cited by examiner



FIG. 1

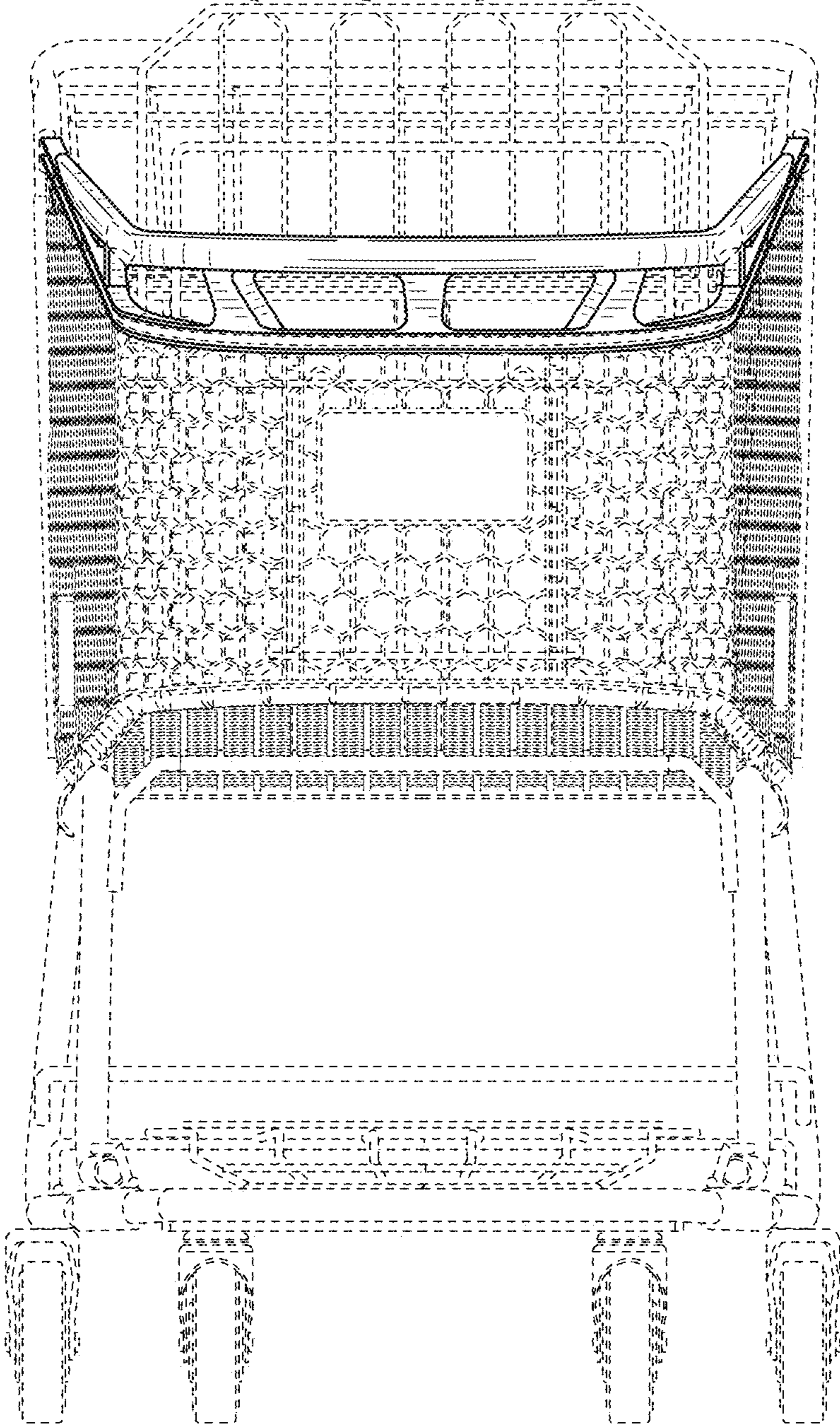


FIG. 2

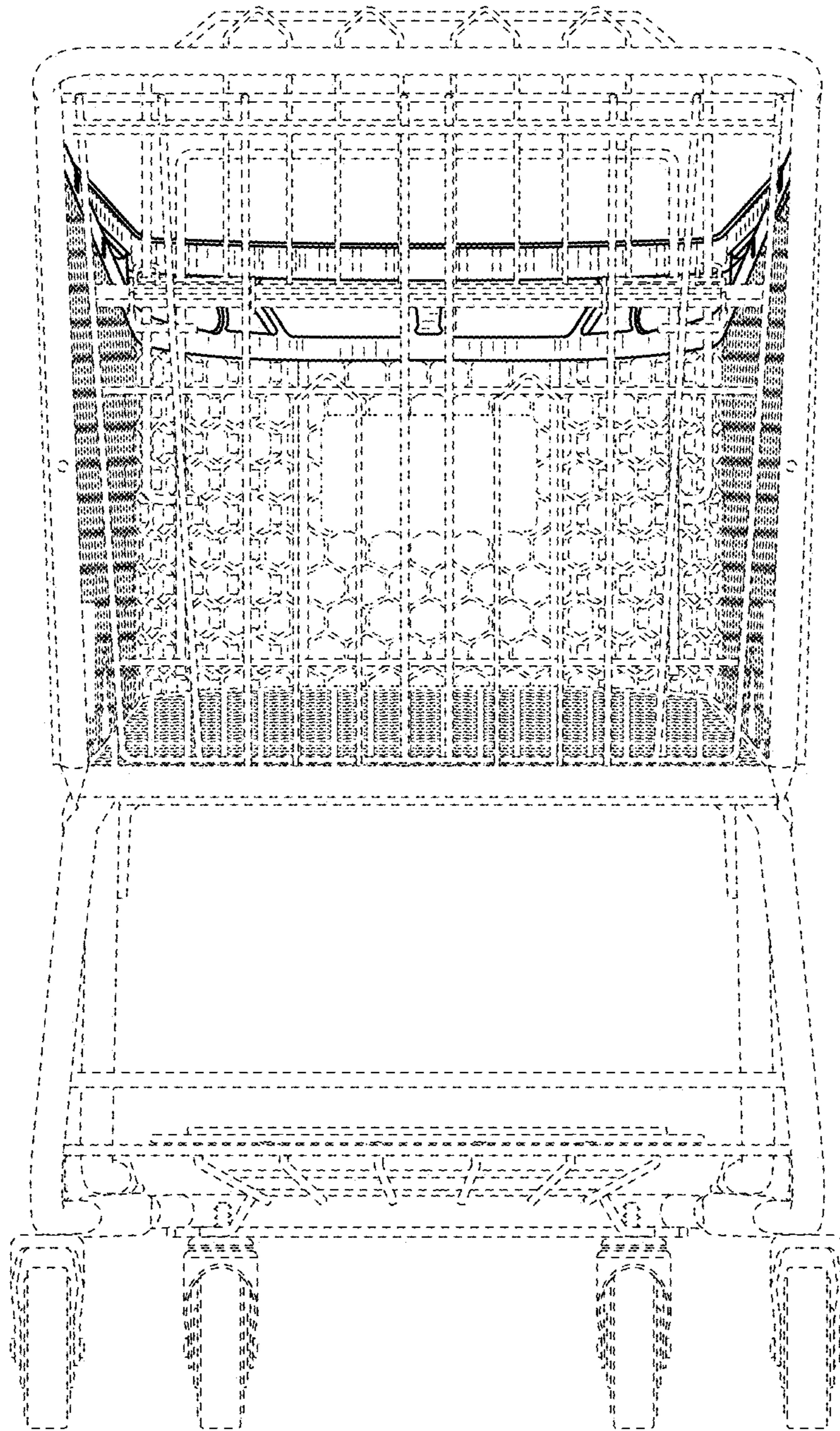


FIG. 3

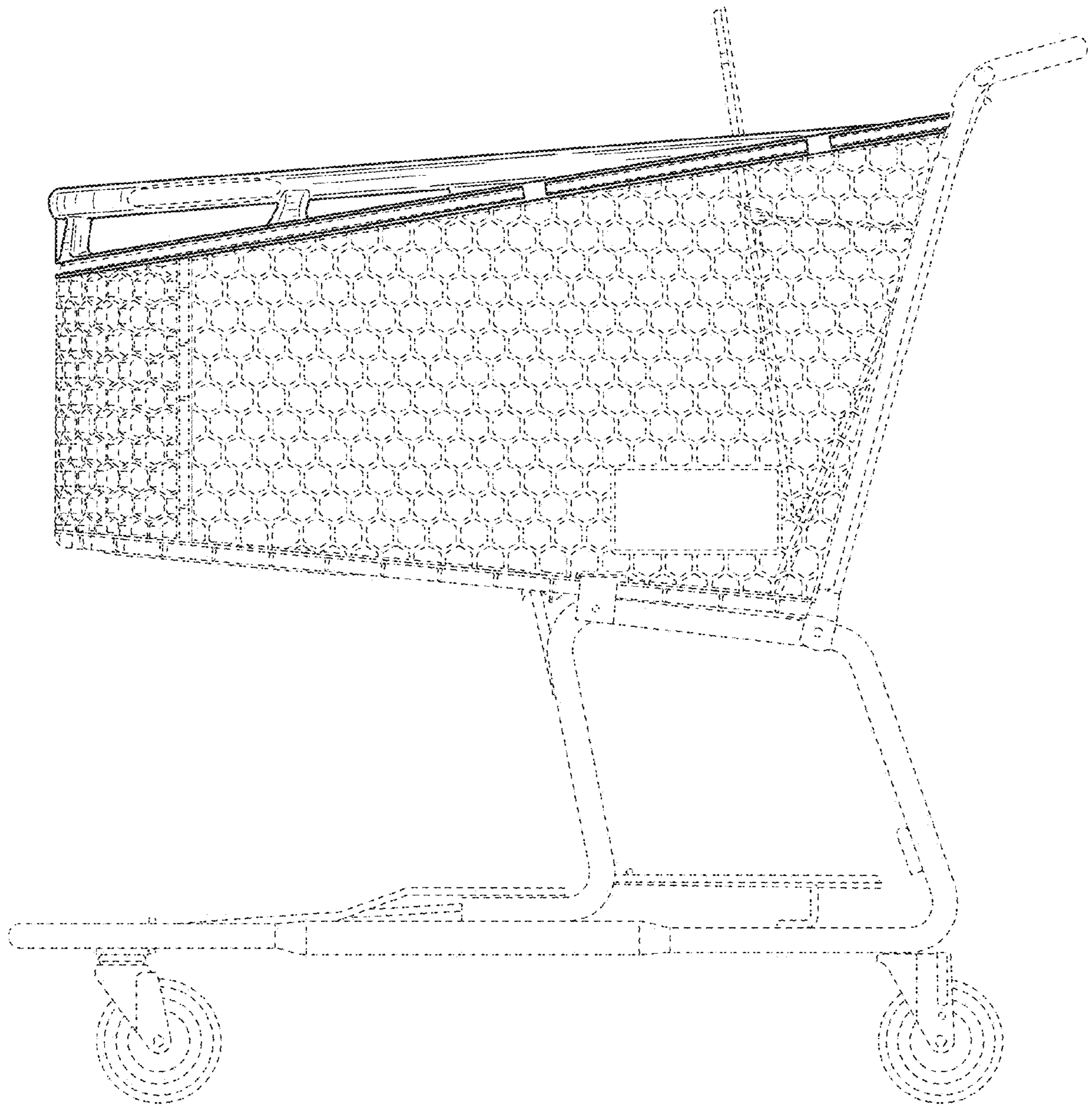


FIG. 4

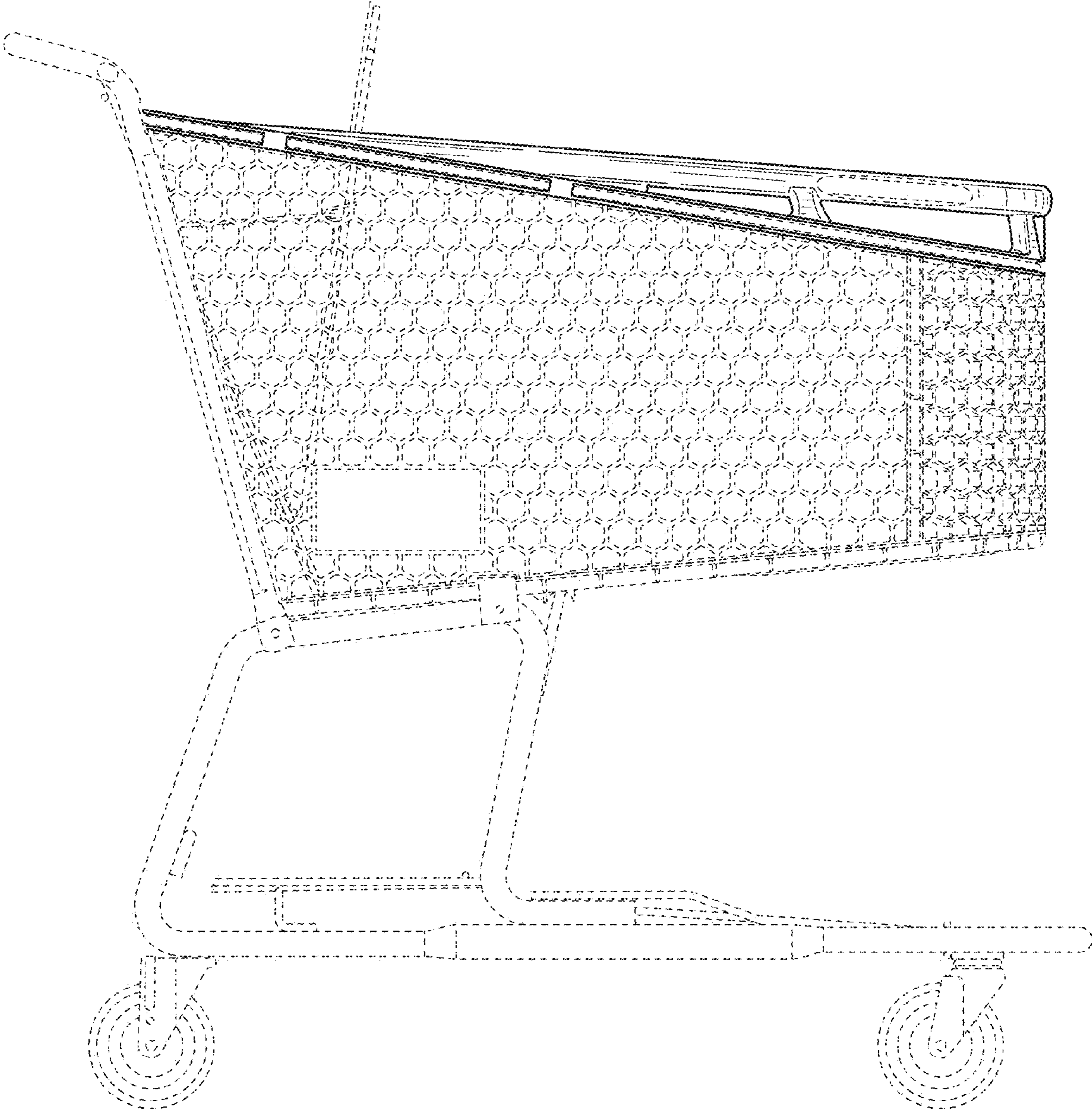


FIG. 5

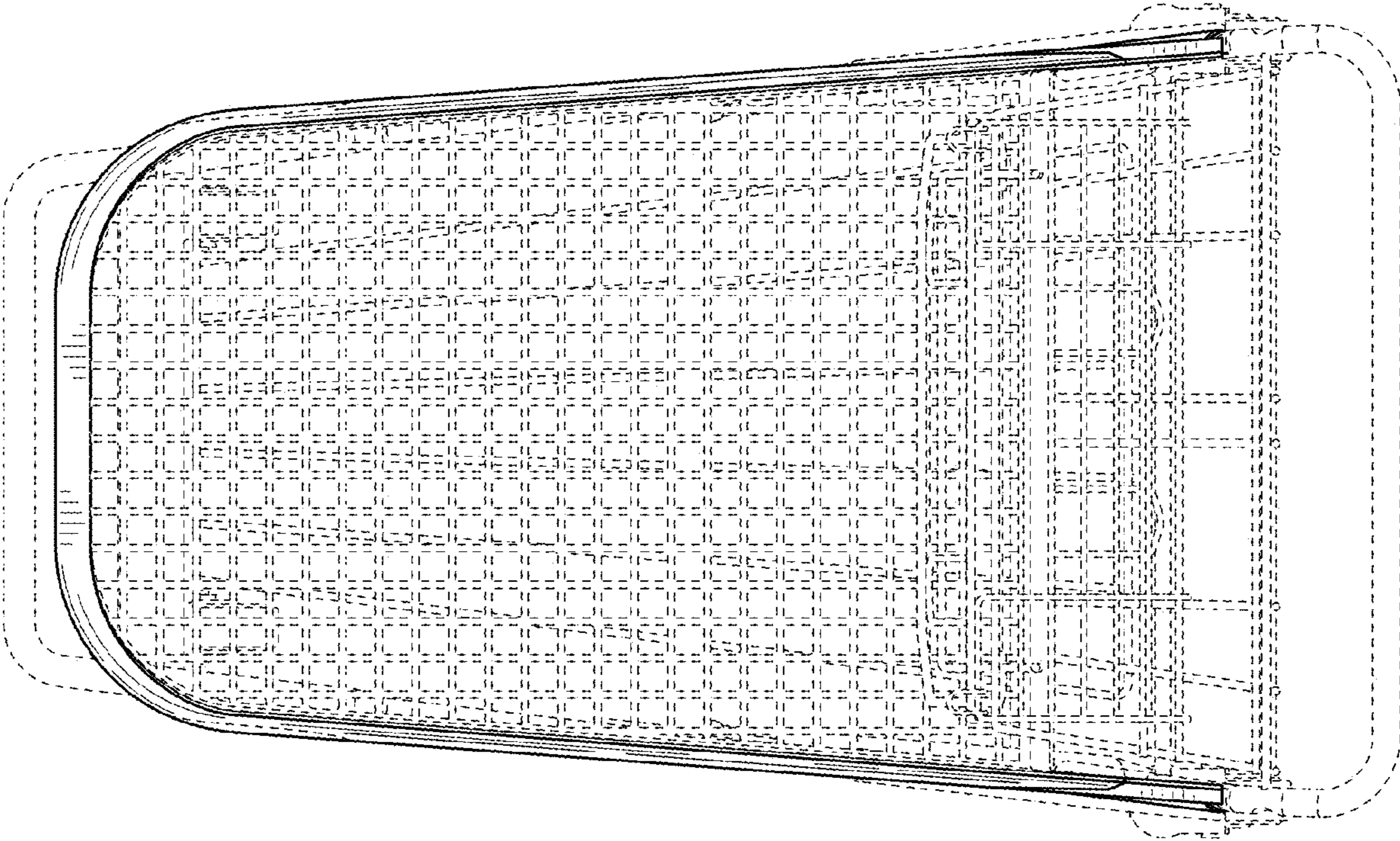


FIG. 6

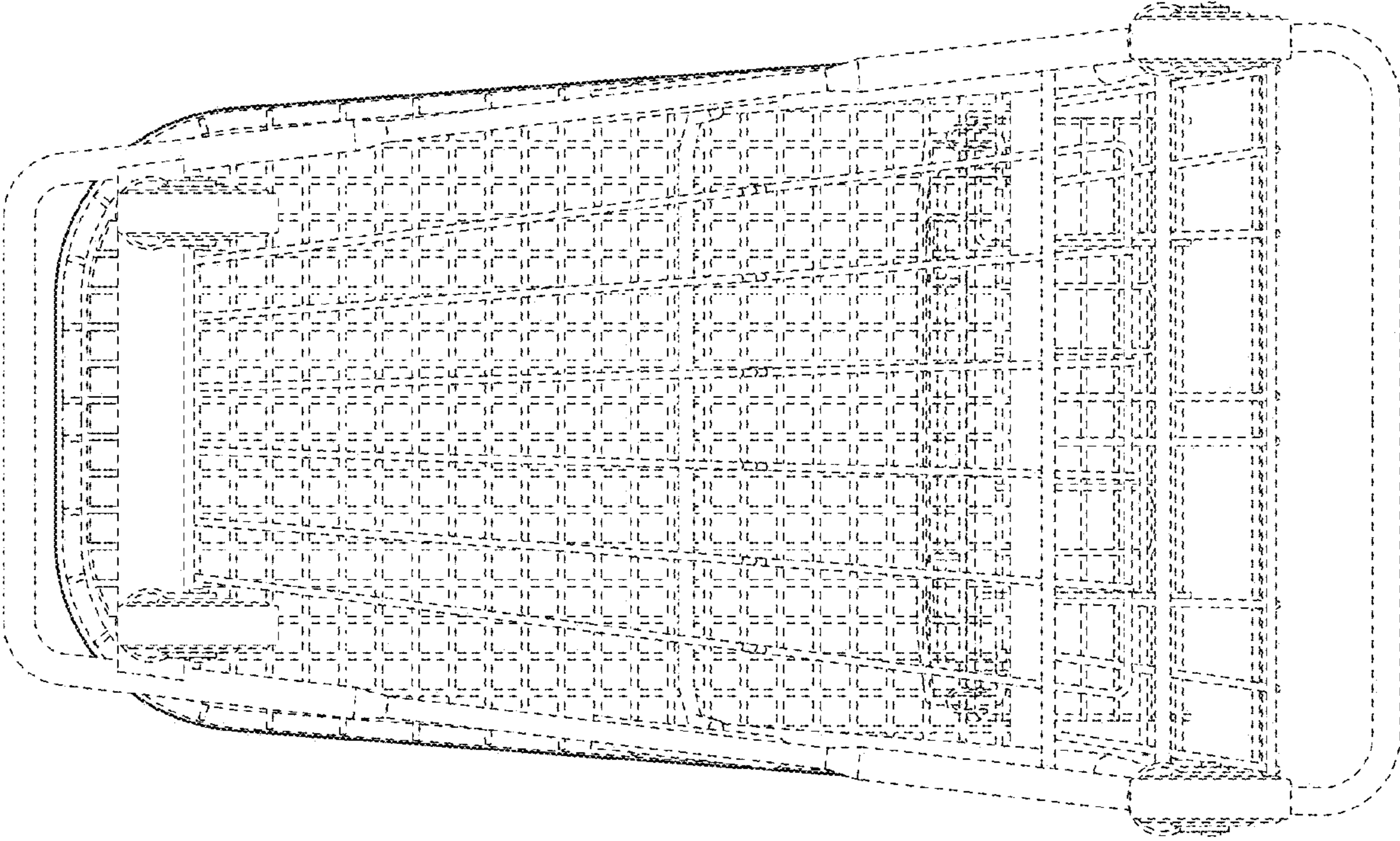


FIG. 7