



US00D870411S

(12) **United States Design Patent**
Alexander

(10) **Patent No.:** **US D870,411 S**

(45) **Date of Patent:** **** Dec. 17, 2019**

(54) **PRESSURE WASHER FRAME**

(71) Applicant: **FNA Group, Inc.**, Pleasant Prairie, WI (US)

(72) Inventor: **Gus Alexander**, Inverness, IL (US)

(73) Assignee: **FNA GROUP, INC.**, Pleasant Prairie, WI (US)

(**) Term: **15 Years**

(21) Appl. No.: **29/694,808**

(22) Filed: **Jun. 13, 2019**

Related U.S. Application Data

(63) Continuation of application No. 29/598,855, filed on Mar. 29, 2017, now Pat. No. Des. 854,763.

(51) **LOC (12) Cl.** **12-02**

(52) **U.S. Cl.**
USPC **D34/24**

(58) **Field of Classification Search**
USPC D32/15-16, 25; D34/24, 12, 14;
280/47.131

CPC .. B08B 3/022; B08B 3/02; B05B 7/32; B05B 9/007

See application file for complete search history.

(56) **References Cited**

U.S. PATENT DOCUMENTS

D402,433 S *	12/1998	Wells	D34/24
D580,610 S *	11/2008	Hawkins	D32/25
D590,110 S *	4/2009	Hawkins	D32/25
D596,817 S *	7/2009	Glass	D32/25
D622,471 S *	8/2010	Hernandez	D34/12
D648,082 S *	11/2011	Alexander	D32/15
D688,841 S *	8/2013	van Deursen	D32/25
8,602,323 B2 *	12/2013	Bearup	B62B 1/12 239/146
D702,900 S *	4/2014	Kahan	D32/16
D703,888 S *	4/2014	Kahan	D32/16

D733,373 S *	6/2015	Kahan	D32/16
D824,612 S *	7/2018	Alexander	D32/16
D824,613 S *	7/2018	Alexander	D32/16

OTHER PUBLICATIONS

United States Patent and Trademark Office, "Notice of Allowance and Fee(s) Due," issued in connection with U.S. Design Appl. No. 29/694,804, dated Aug. 14, 2019, 16 pages.

* cited by examiner

Primary Examiner — Ruth McInroy

(74) *Attorney, Agent, or Firm* — Hanley, Flight & Zimmerman, LLC

(57) **CLAIM**

I claim the ornamental design for a pressure washer frame, as shown and described.

DESCRIPTION

FIG. 1 is a front, top perspective view of a pressure washer frame.

FIG. 2 is a front view of the pressure washer frame of FIG. 1.

FIG. 3 is a rear view of the pressure washer frame of FIG. 1.

FIG. 4 is a left side view of the pressure washer frame of FIG. 1.

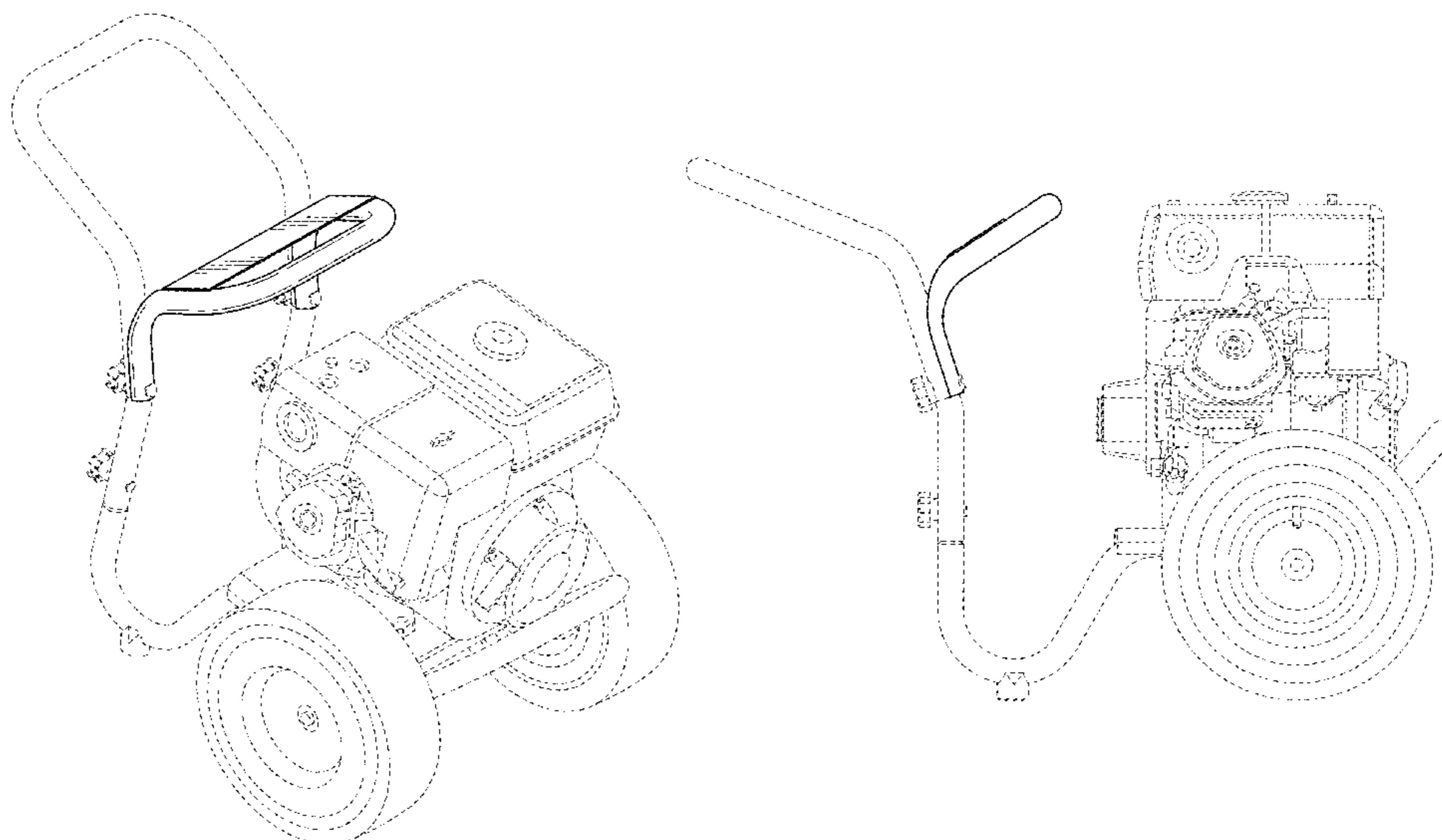
FIG. 5 is a right side view of the pressure washer frame of FIG. 1.

FIG. 6 is a top view of the pressure washer frame of FIG. 1; and,

FIG. 7 is a bottom view of the pressure washer frame of FIG. 1.

The features shown in broken lines form no part of the claimed design.

1 Claim, 7 Drawing Sheets



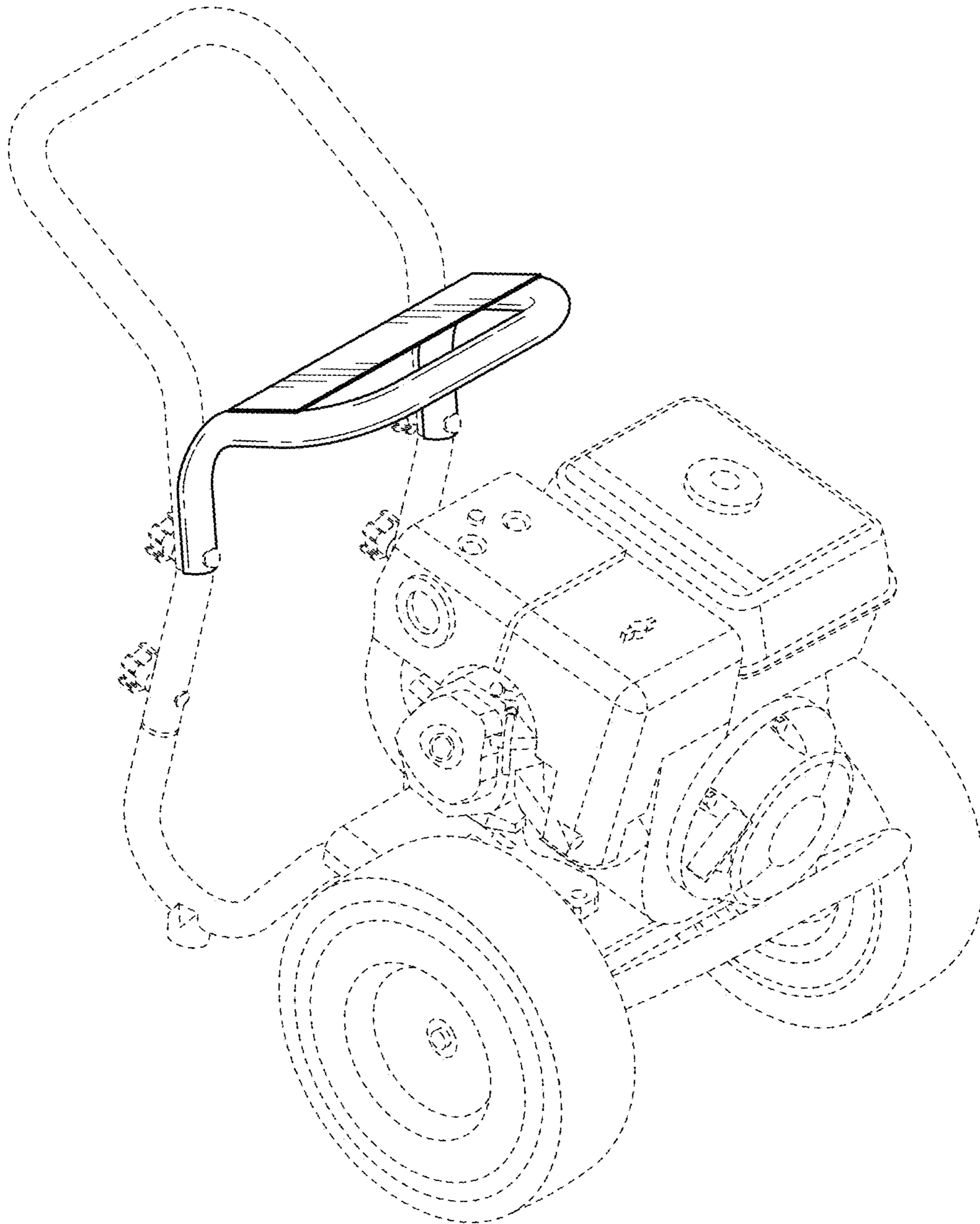


FIG.1

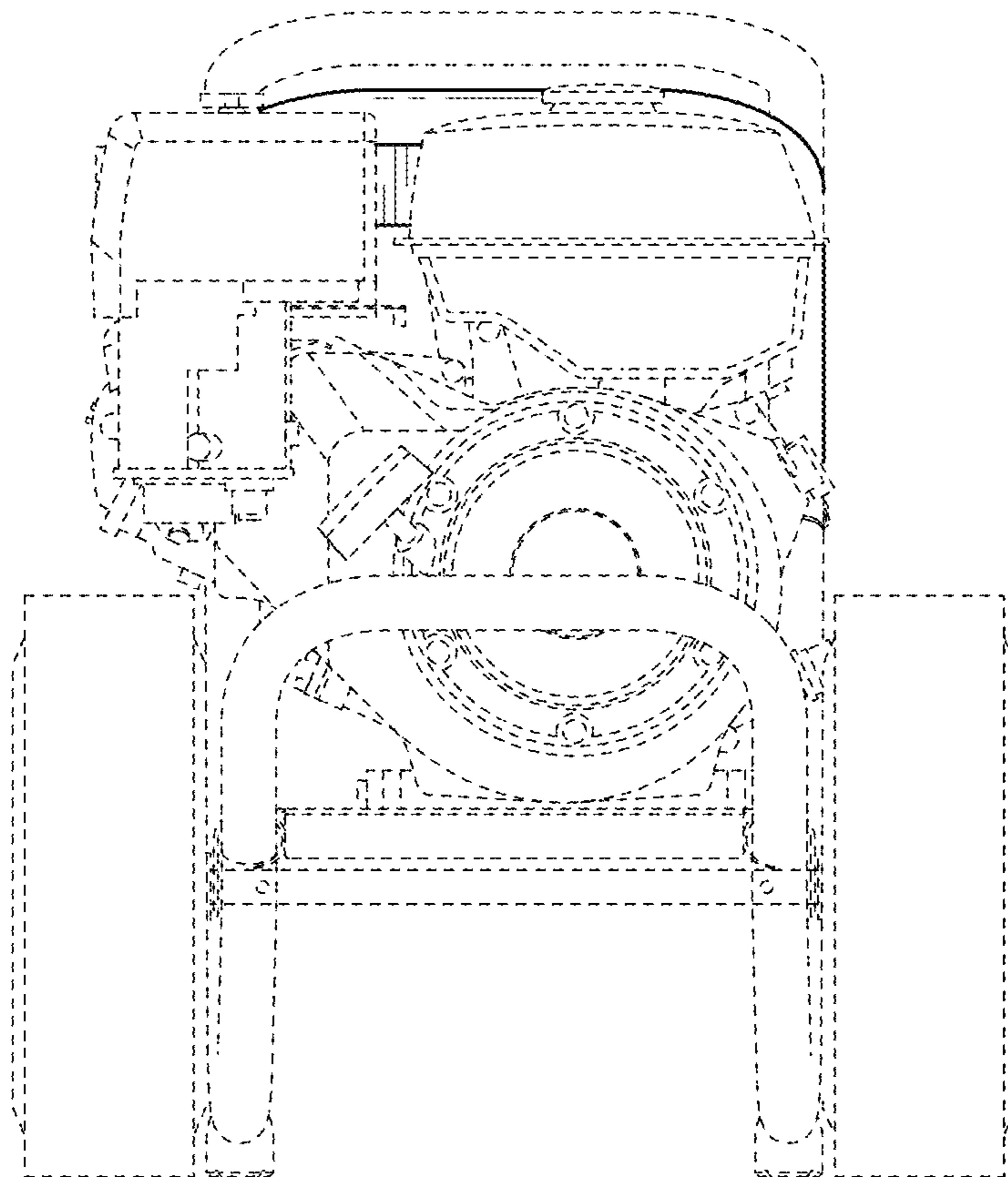


FIG.2

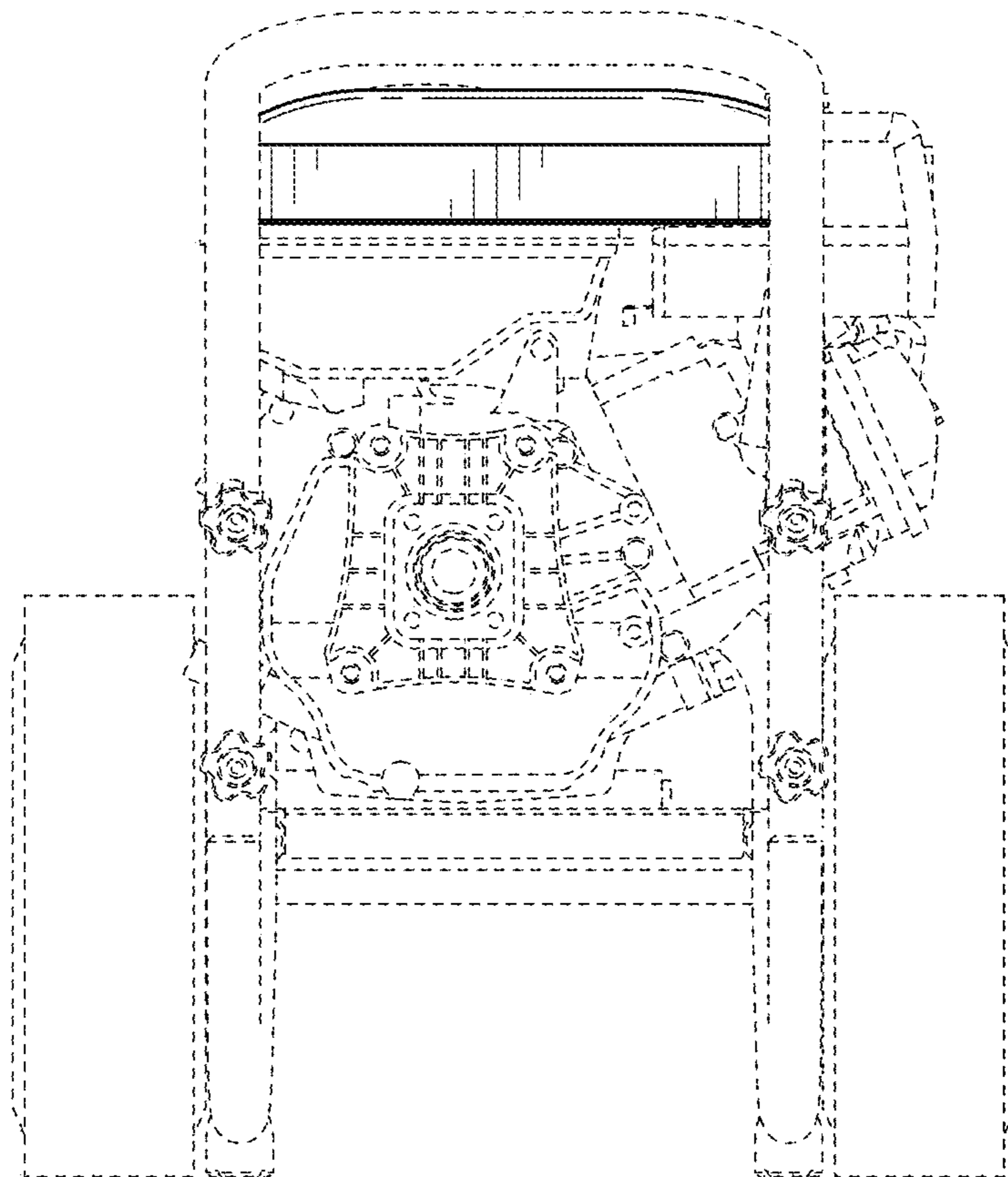


FIG.3

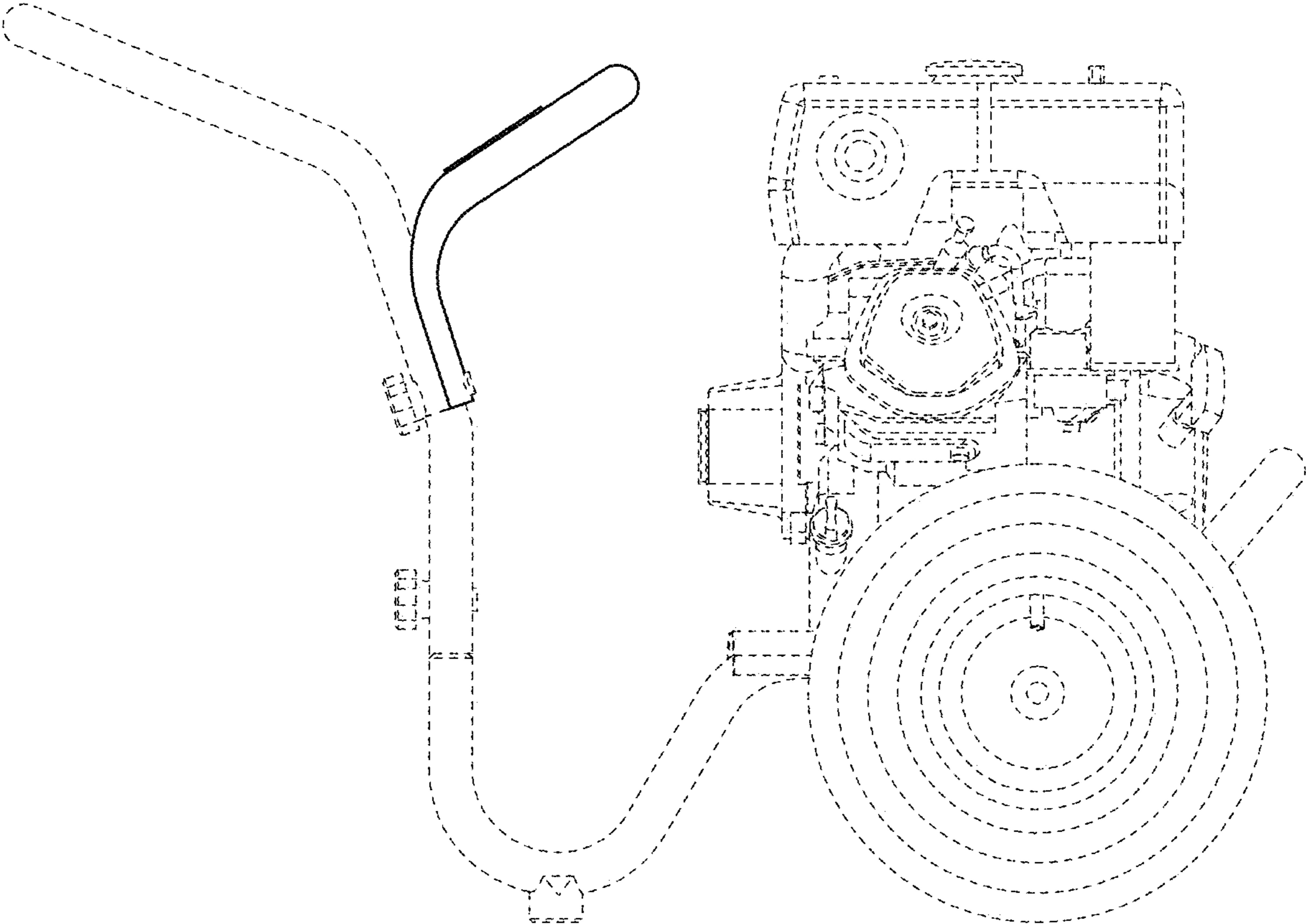


FIG.4

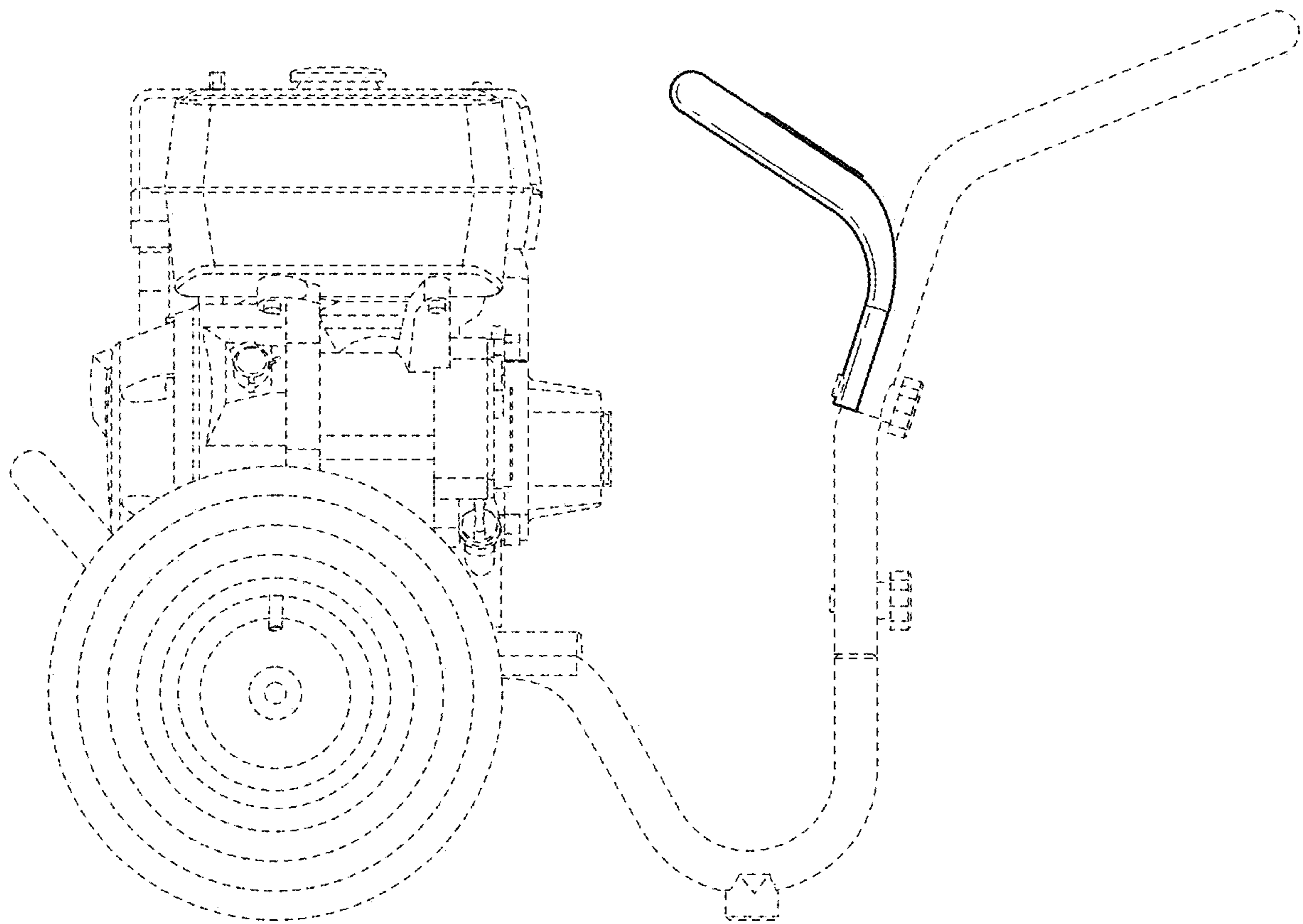


FIG.5

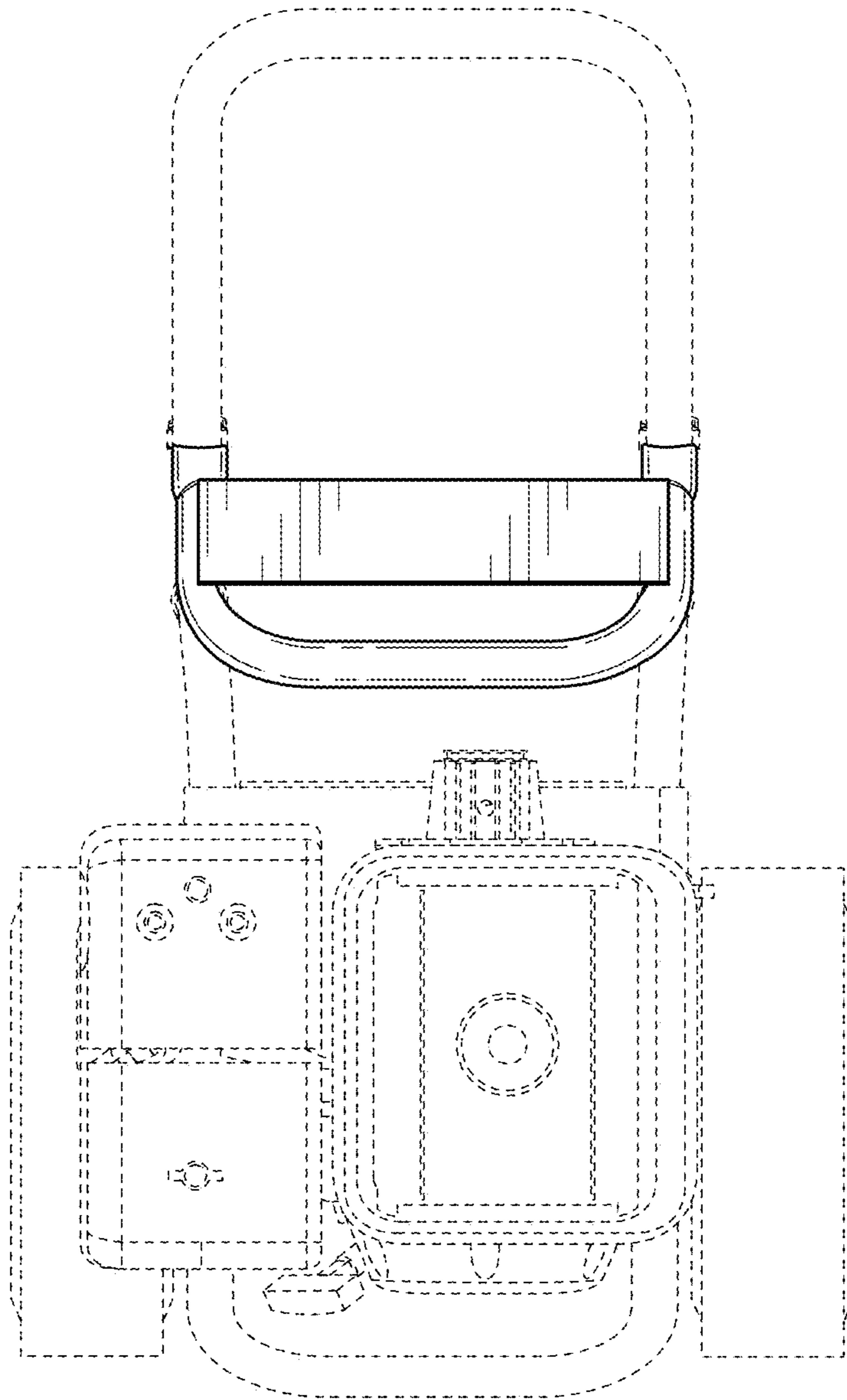


FIG.6

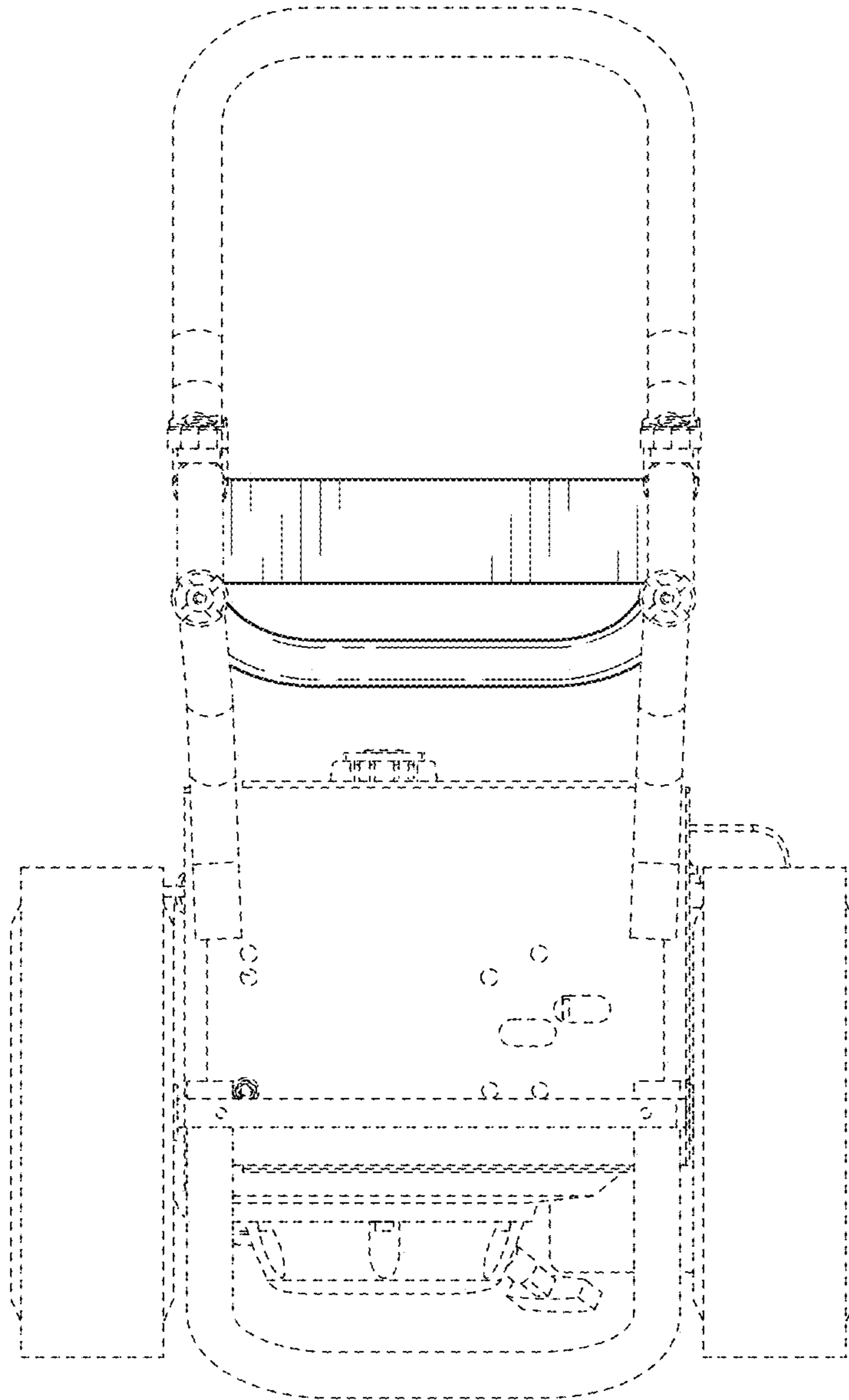


FIG.7