



US00D870409S

(12) **United States Design Patent**  
**Rosca**

(10) **Patent No.:** **US D870,409 S**

(45) **Date of Patent:** **\*\* Dec. 17, 2019**

(54) **DOLLY FOR CARPET POLE FOR A FORKLIFT**

(71) Applicant: **Nicolae Rosca**, Roswell, GA (US)

(72) Inventor: **Nicolae Rosca**, Roswell, GA (US)

(\*\*) Term: **15 Years**

(21) Appl. No.: **29/645,201**

(22) Filed: **Apr. 24, 2018**

(51) **LOC (12) Cl.** ..... **12-02**

(52) **U.S. Cl.**  
USPC ..... **D34/23; D34/35; D34/38**

(58) **Field of Classification Search**  
USPC ..... D34/12, 13, 14, 15, 19, 25, 35, 38  
CPC ..... B62B 2202/404; B62B 3/02; B62B 3/003;  
B62B 3/004; B62B 3/005; B62B 3/006;  
B62B 3/10; B62B 3/108; B62B 2202/90;  
B62B 3/1476; B62B 3/16  
See application file for complete search history.

(56) **References Cited**

**U.S. PATENT DOCUMENTS**

- 968,316 A \* 8/1910 Beckert ..... B66F 5/025  
254/7 B
- 2,943,863 A \* 7/1960 Corey ..... B60P 3/127  
280/79.11
- D213,679 S \* 4/1969 Mayer ..... D34/23
- 4,784,402 A \* 11/1988 Roman ..... B25H 5/00  
280/79.4

- D349,993 S \* 8/1994 Brand ..... D34/12
- D353,702 S \* 12/1994 Martinez ..... D34/12
- 5,403,022 A \* 4/1995 Snider ..... B60N 2/2848  
280/30
- D363,588 S \* 10/1995 Bancroft ..... D34/12
- D366,547 S \* 1/1996 Arn ..... D34/23
- 8,448,972 B1 \* 5/2013 Belcher ..... B60P 3/127  
280/401

\* cited by examiner

*Primary Examiner* — Cynthia Ramirez

(74) *Attorney, Agent, or Firm* — Thomas | Horstemeyer, LLP

(57) **CLAIM**

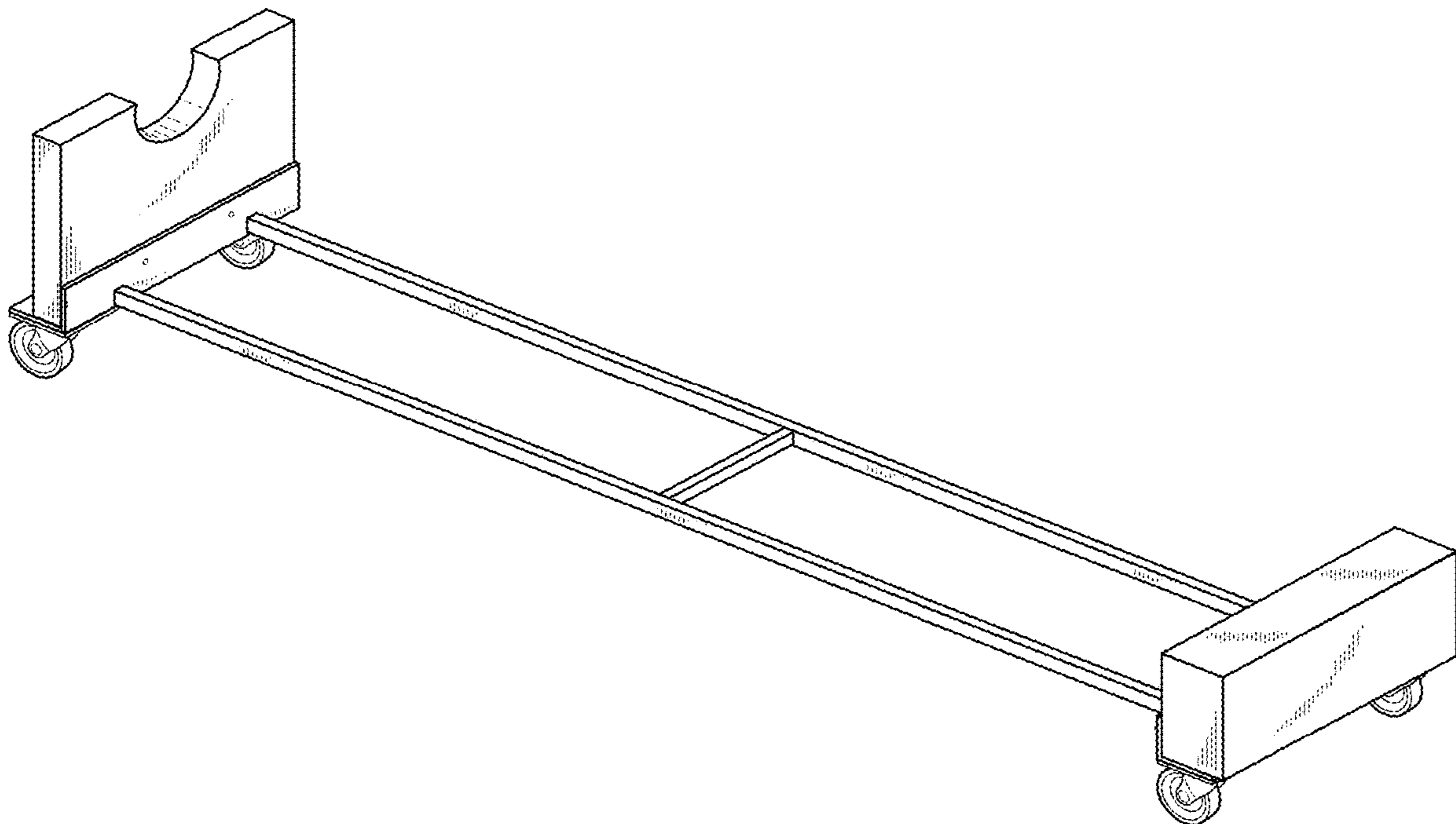
The ornamental design for a dolly for carpet pole for a forklift, as shown and described.

**DESCRIPTION**

FIG. 1 is a perspective view showing my new dolly for carpet pole for a forklift;  
FIG. 2 is a perspective view thereof;  
FIG. 3 is a left view thereof;  
FIG. 4 is a right view thereof;  
FIG. 5 is a front view thereof;  
FIG. 6 is a back view thereof;  
FIG. 7 is a top view thereof; and,  
FIG. 8 is a bottom view thereof.

The broken line showing of a pole in FIG. 2 is included for the purpose of illustrating environment and forms no part of the claimed design.

**1 Claim, 5 Drawing Sheets**



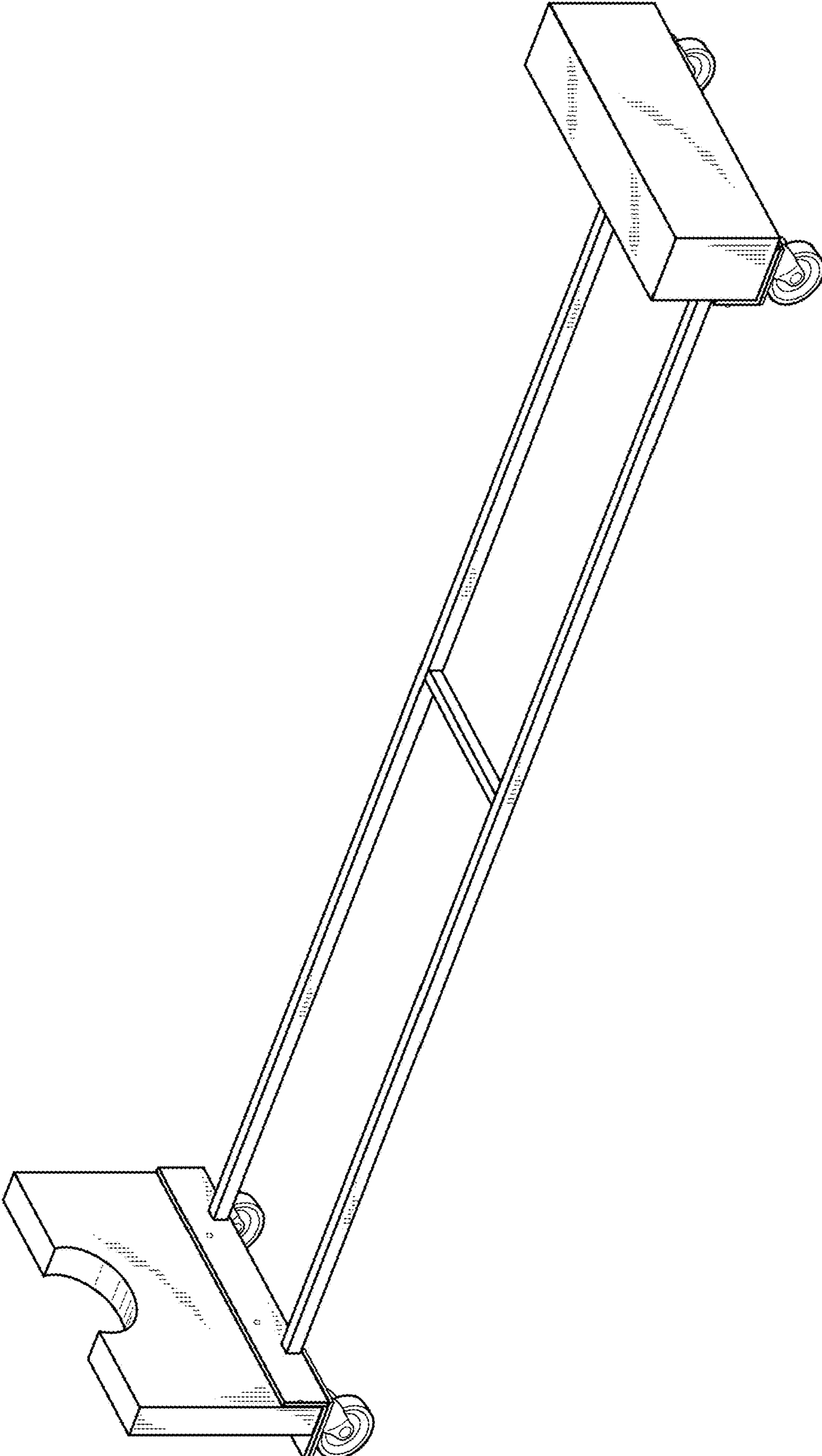


FIG. 1

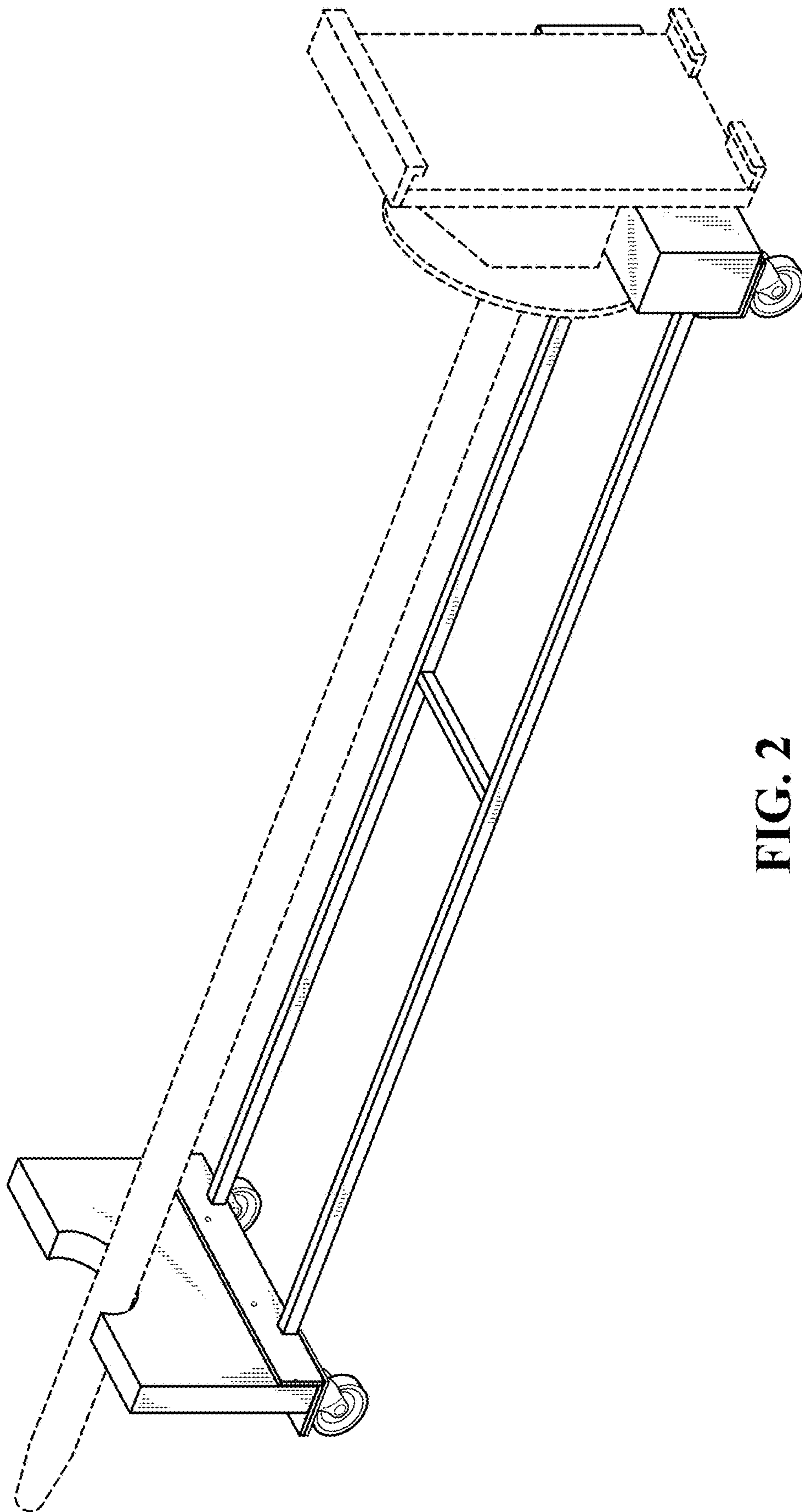


FIG. 2

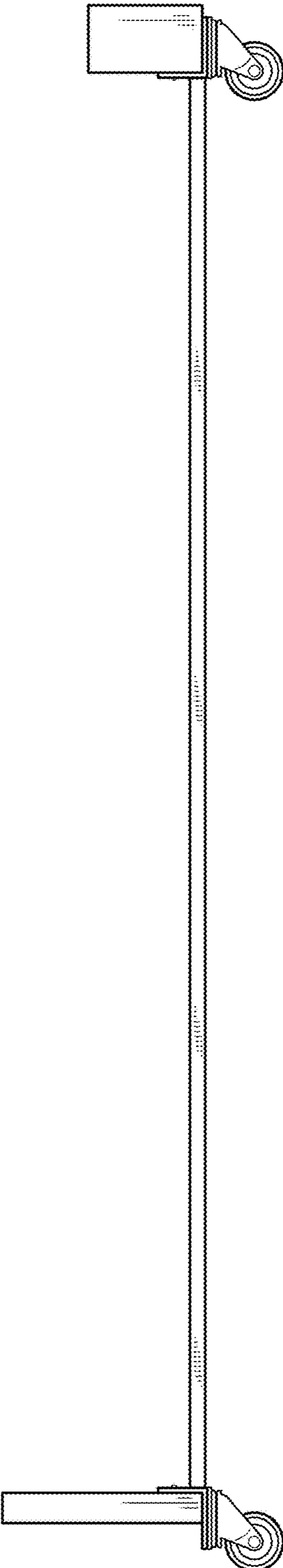


FIG. 3

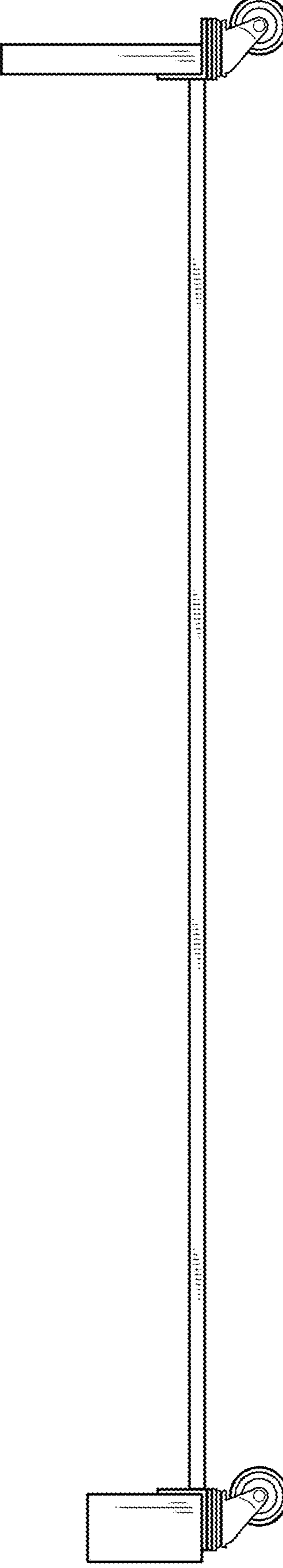
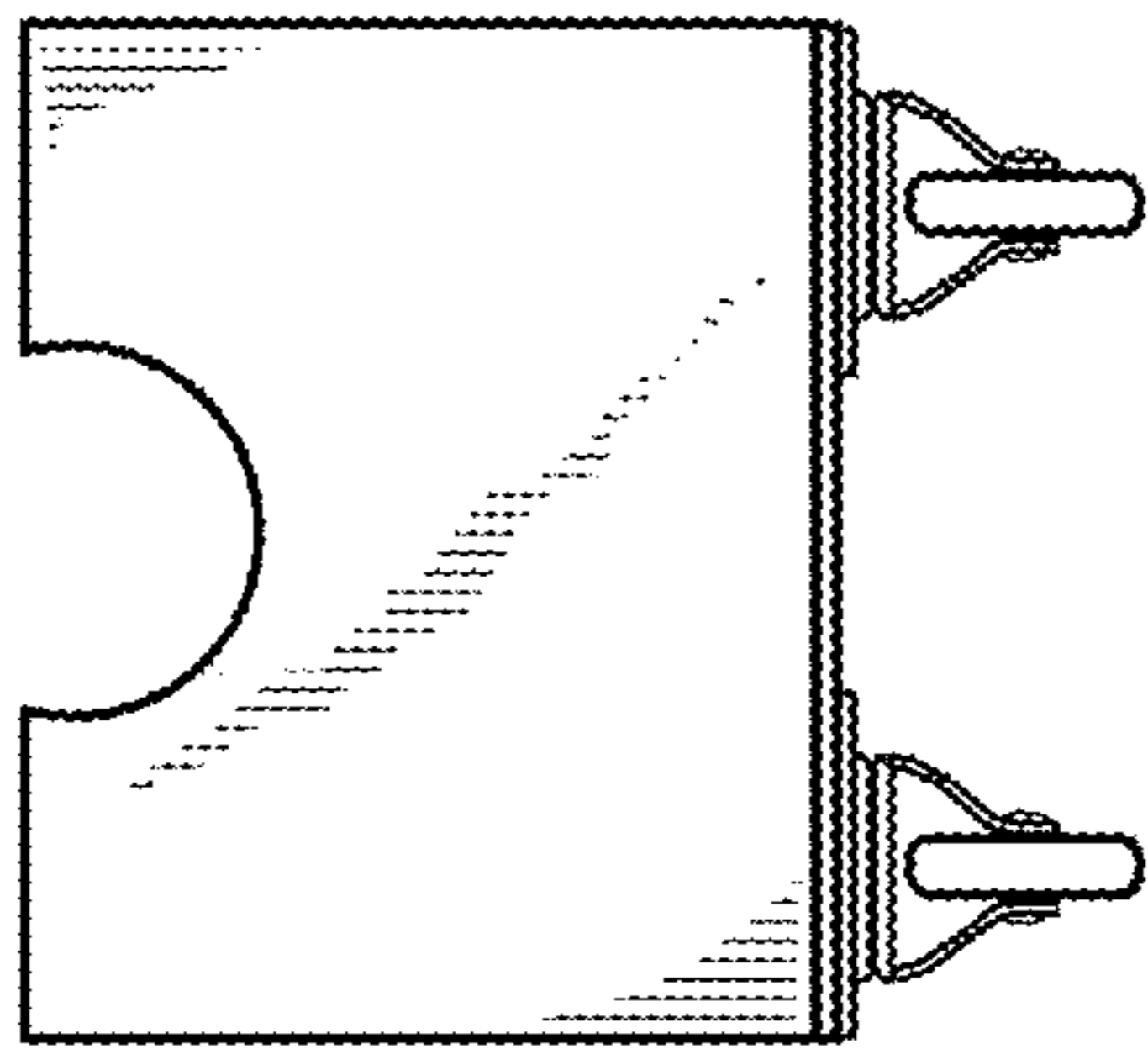
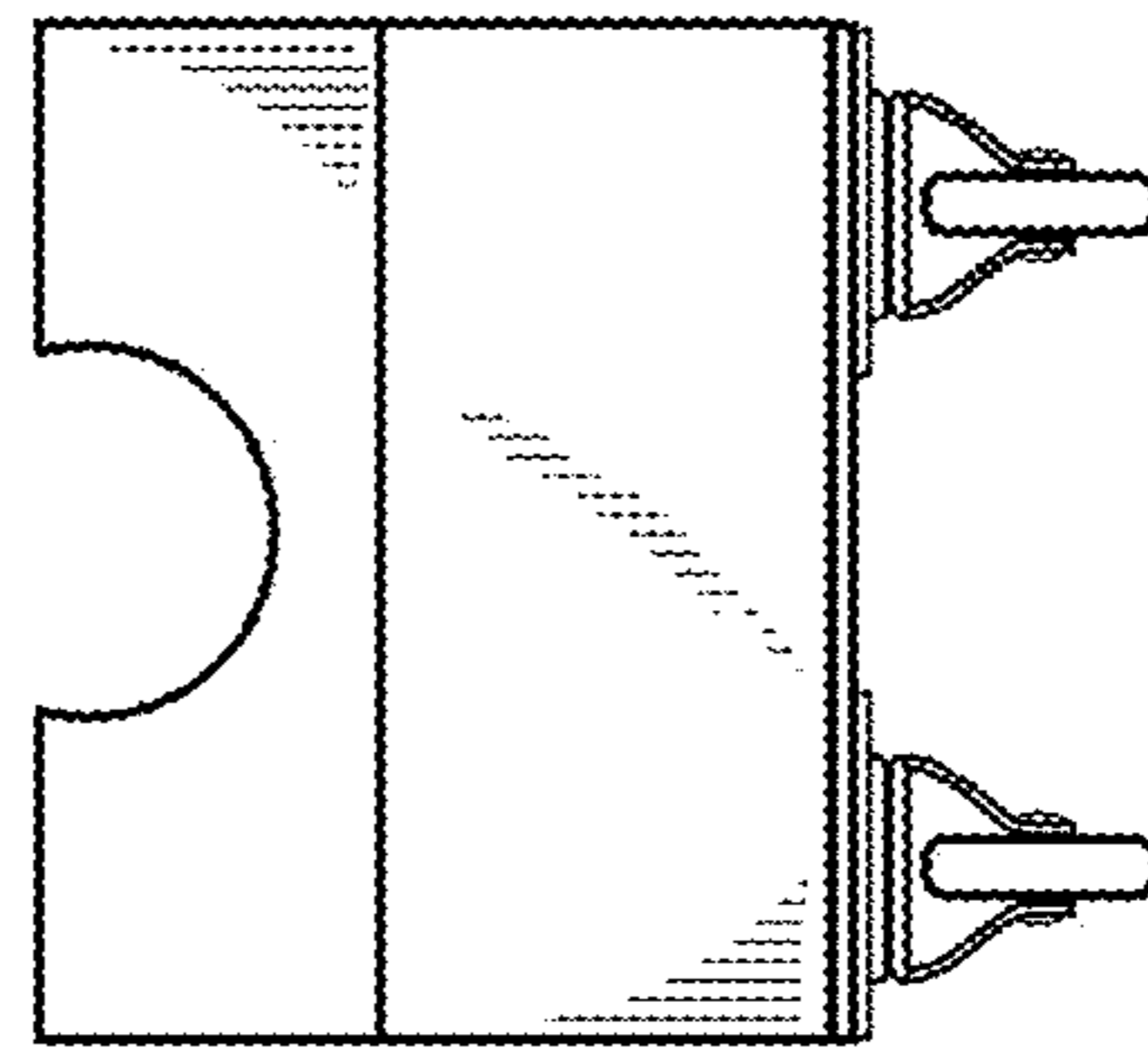


FIG. 4



**FIG. 5**



**FIG. 6**

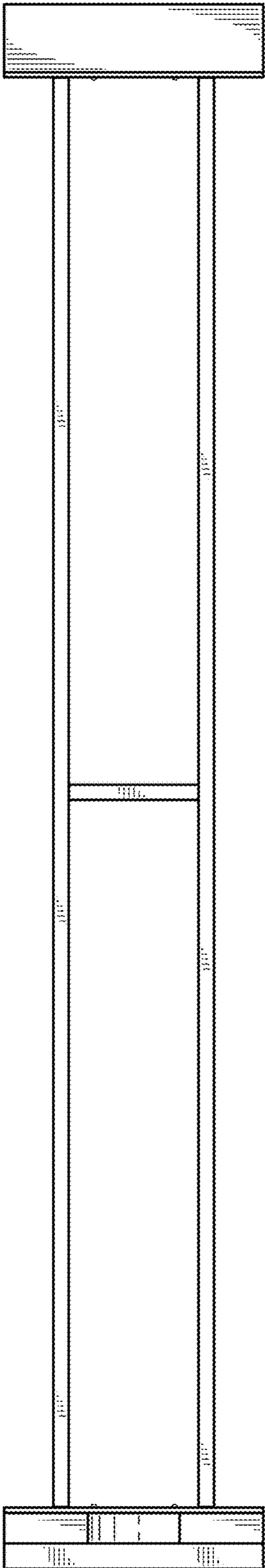


FIG. 7

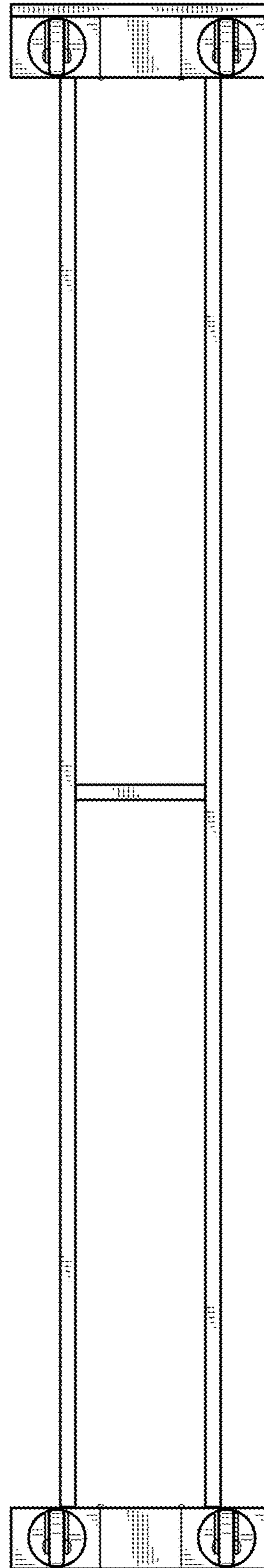


FIG. 8