



US00D870408S

(12) **United States Design Patent**
Thompson

(10) **Patent No.:** **US D870,408 S**

(45) **Date of Patent:** **** Dec. 17, 2019**

(54) **COLLAPSIBLE GOLF CART**

(71) Applicant: **PowaKaddy International Limited**,
Sittingbourne (GB)

(72) Inventor: **Andrew Thompson**, Sittingbourne
(GB)

(73) Assignee: **PowaKaddy International Limited**,
Sittingbourne (GB)

(**) Term: **15 Years**

(21) Appl. No.: **29/655,095**

(22) Filed: **Jun. 29, 2018**

(51) **LOC (12) Cl.** **12-13**

(52) **U.S. Cl.**
USPC **D34/15**

(58) **Field of Classification Search**
USPC D34/12, 13, 14, 15, 19
CPC . B62B 2202/404; B62B 3/02; B62B 2205/00;
B62B 2205/24

See application file for complete search history.

(56) **References Cited**

U.S. PATENT DOCUMENTS

D596,365 S *	7/2009	Reimers	D34/15
D638,601 S *	5/2011	Lin	D34/15
D657,524 S *	4/2012	Liao	D34/15
D664,732 S *	7/2012	Liao	D34/15
D702,010 S *	4/2014	Wang	D34/15

(Continued)

Primary Examiner — Cynthia Ramirez

(74) *Attorney, Agent, or Firm* — Haugen Law Firm PLLP

(57) **CLAIM**

The ornamental design for a collapsible golf cart, as shown and described.

DESCRIPTION

FIG. 1 is a left rear upper perspective view of the collapsible golf cart in an extended condition;

FIG. 2 is a left front upper perspective view of the collapsible golf cart in an extended condition;

FIG. 3 is a left rear lower perspective view of the collapsible golf cart in an extended condition;

FIG. 4 is a left front lower perspective view of the collapsible golf cart in an extended condition;

FIG. 5 is a left side elevational view of the collapsible golf cart in an extended condition;

FIG. 6 is a right side elevational view of the collapsible golf cart in an extended condition;

FIG. 7 is a front elevational view of the collapsible golf cart in an extended condition;

FIG. 8 is a rear elevational view of the collapsible golf cart in an extended condition;

FIG. 9 is a top plan view of the collapsible golf cart in an extended condition;

FIG. 10 is a bottom plan view of the collapsible golf cart in an extended condition;

FIG. 11 is a left rear upper perspective view of the collapsible golf cart in a folded condition;

FIG. 12 is a left front upper perspective view of the collapsible golf cart in a folded condition;

FIG. 13 is a left rear lower perspective view of the collapsible golf cart in a folded condition;

FIG. 14 is a left front lower perspective view of the collapsible golf cart in a folded condition;

FIG. 15 is a left side elevational view of the collapsible golf cart in a folded condition;

FIG. 16 is a right side elevational view of the collapsible golf cart in a folded condition;

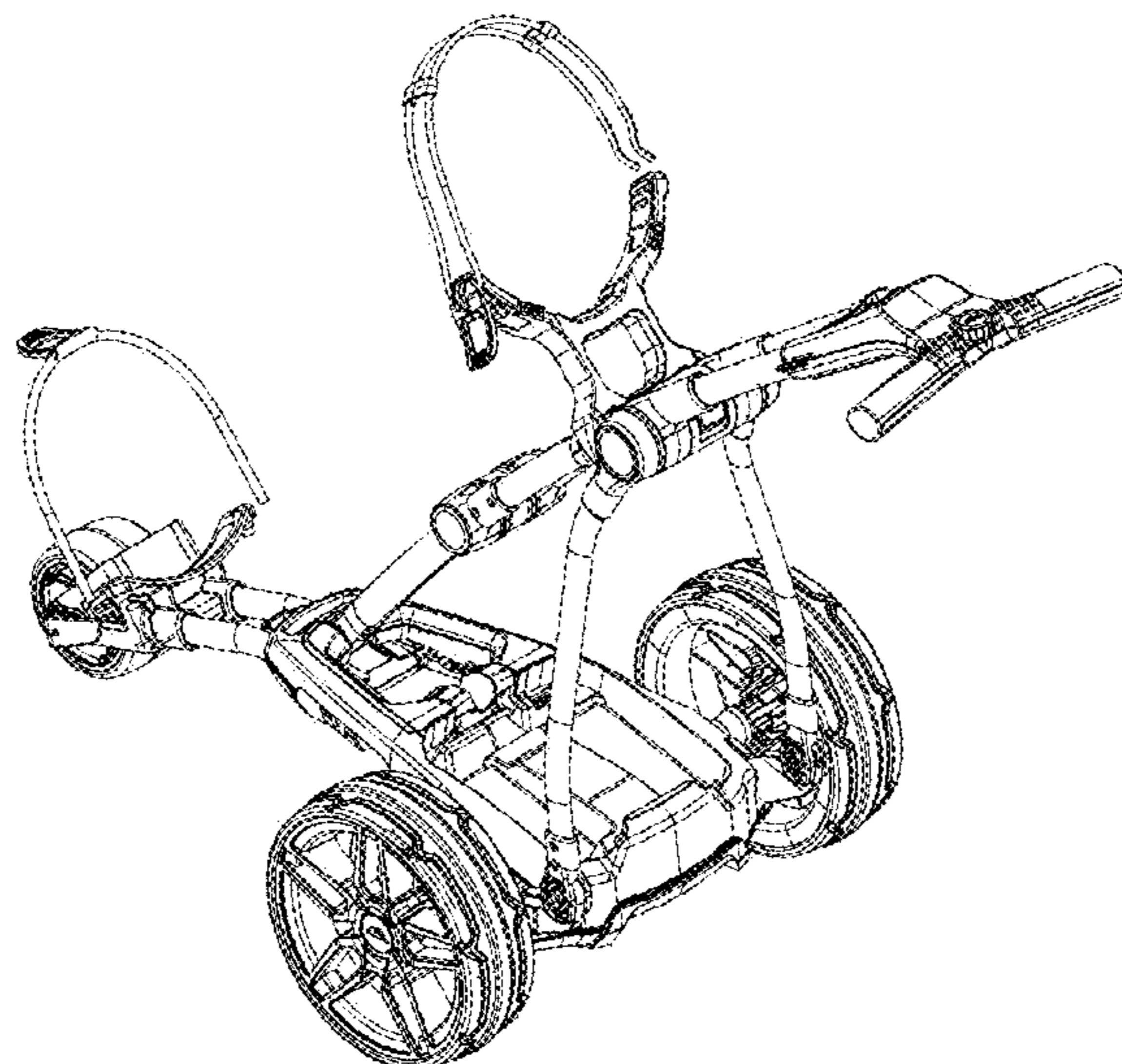
FIG. 17 is a front elevational view of the collapsible golf cart in a folded condition;

FIG. 18 is a rear elevational view of the collapsible golf cart in a folded condition;

FIG. 19 is a top plan view of the collapsible golf cart in a folded condition; and,

FIG. 20 is a bottom plan view of the collapsible golf cart in a folded condition.

1 Claim, 20 Drawing Sheets



(56)

References Cited

U.S. PATENT DOCUMENTS

D794,896 S * 8/2017 Liao D34/15
D812,333 S * 3/2018 Gong D34/15
D854,773 S * 7/2019 Hillesheim D34/15
2018/0194382 A1* 7/2018 Gong A63B 55/60
2018/0354537 A1* 12/2018 Ho B62B 3/106

* cited by examiner

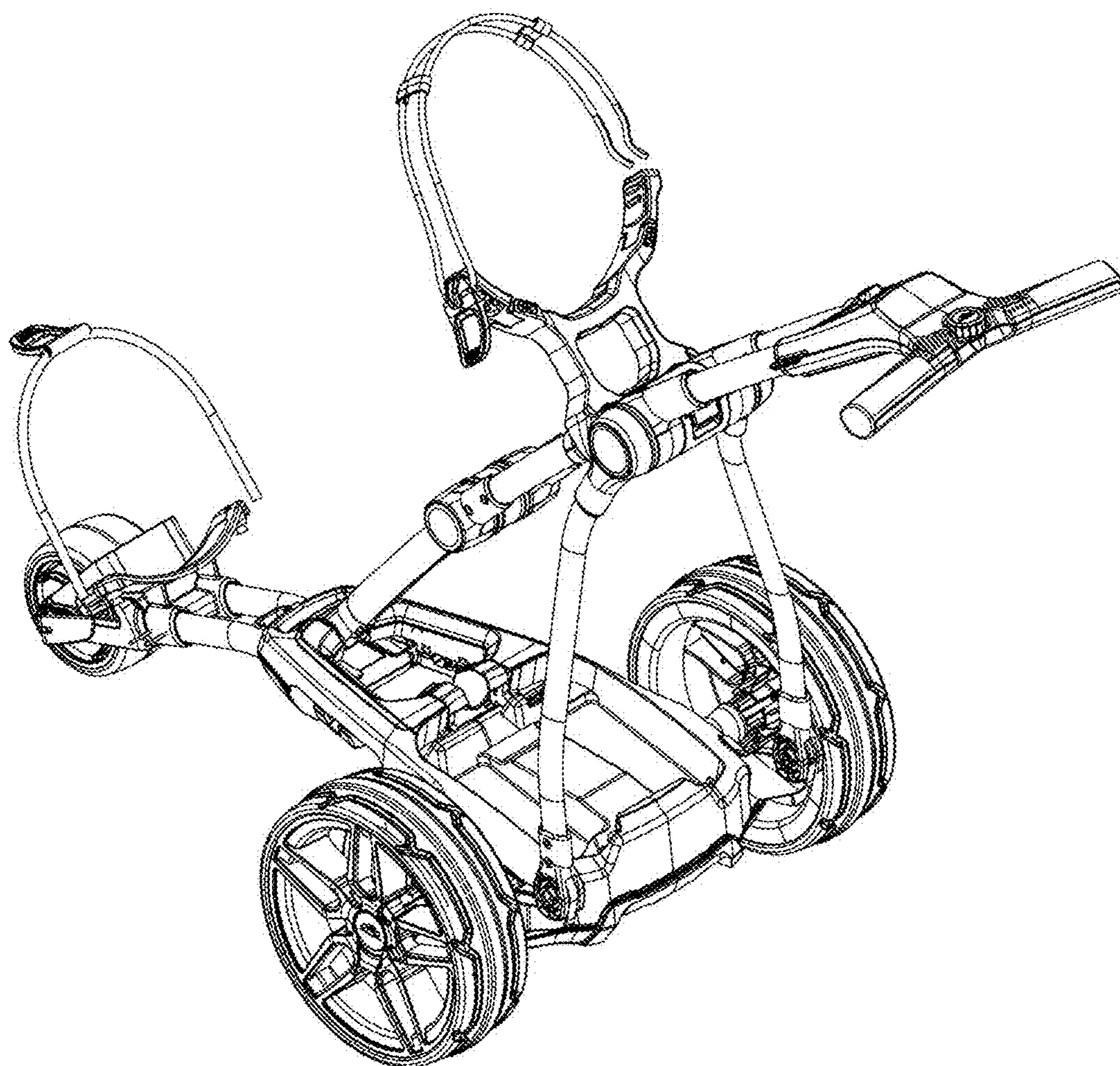


FIG. 1

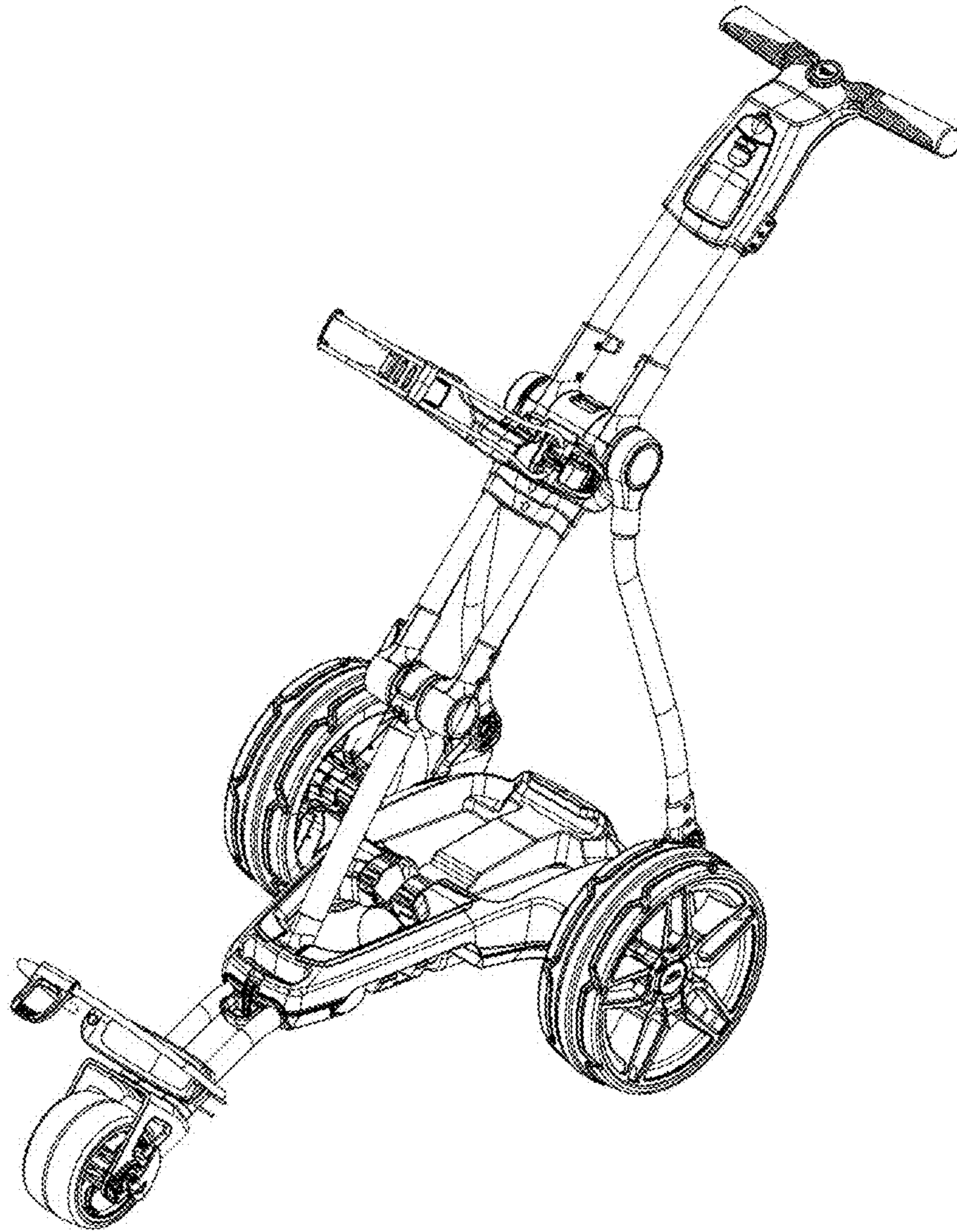


FIG. 2

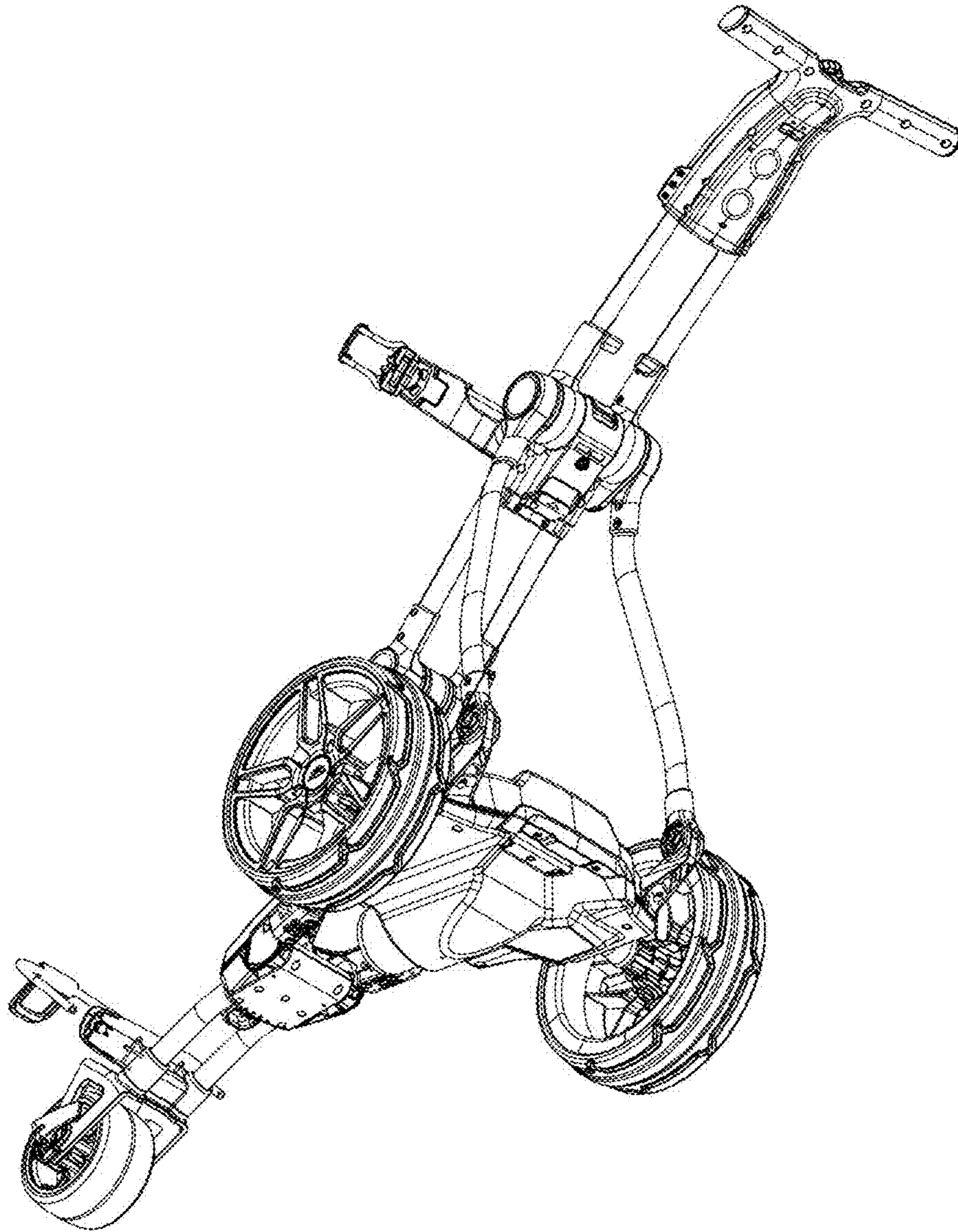


FIG. 3

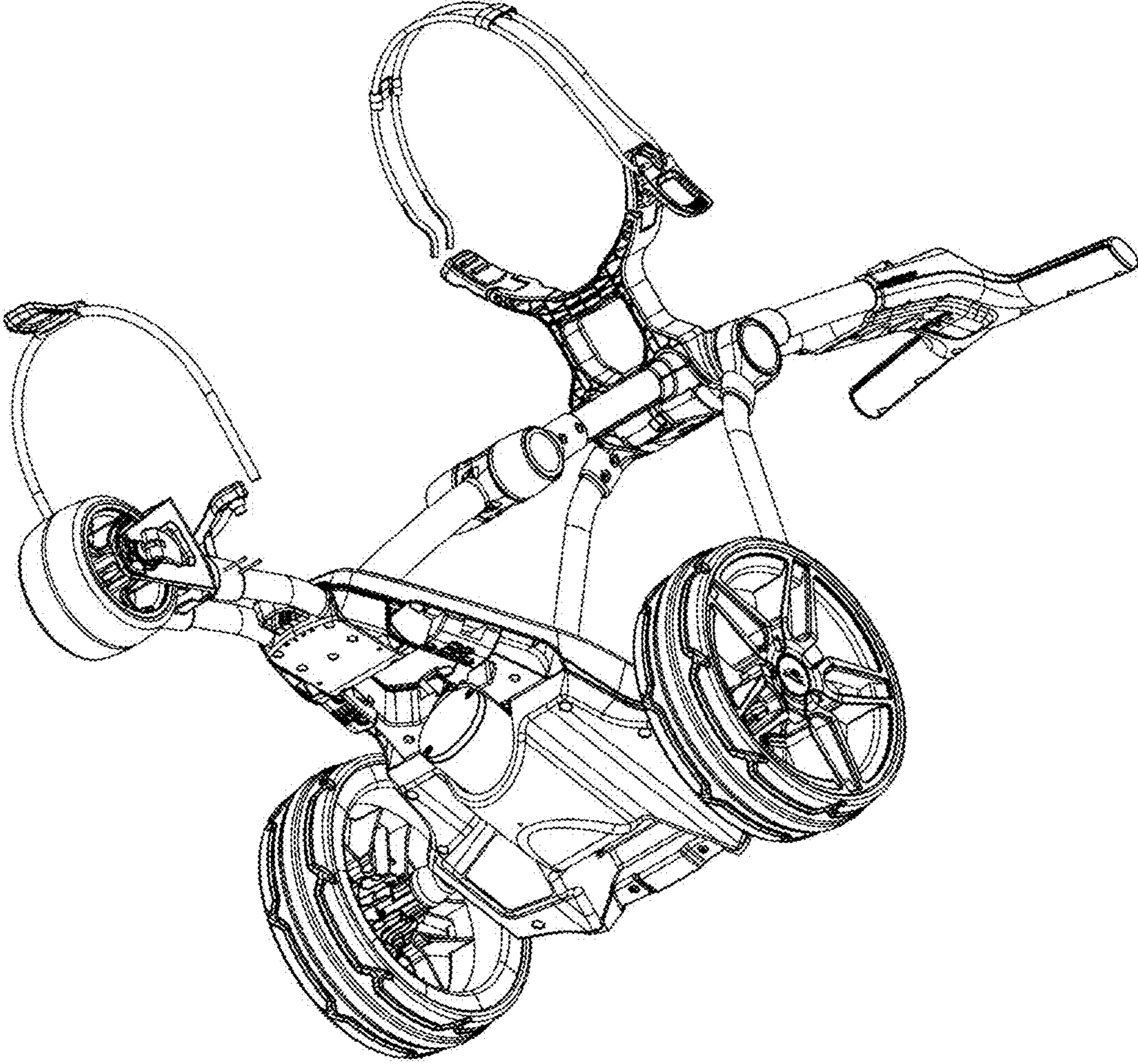


FIG. 4

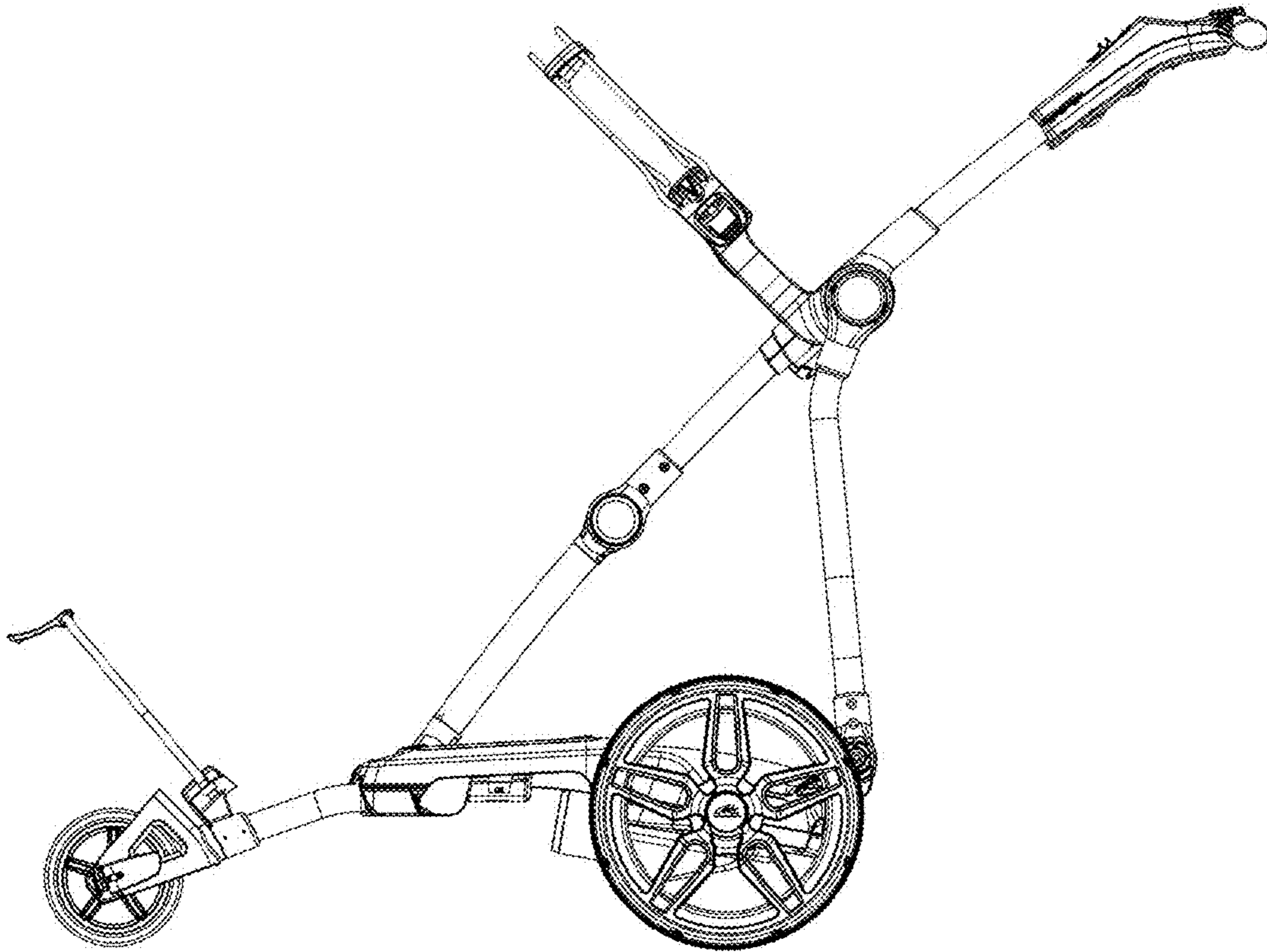


FIG 5.

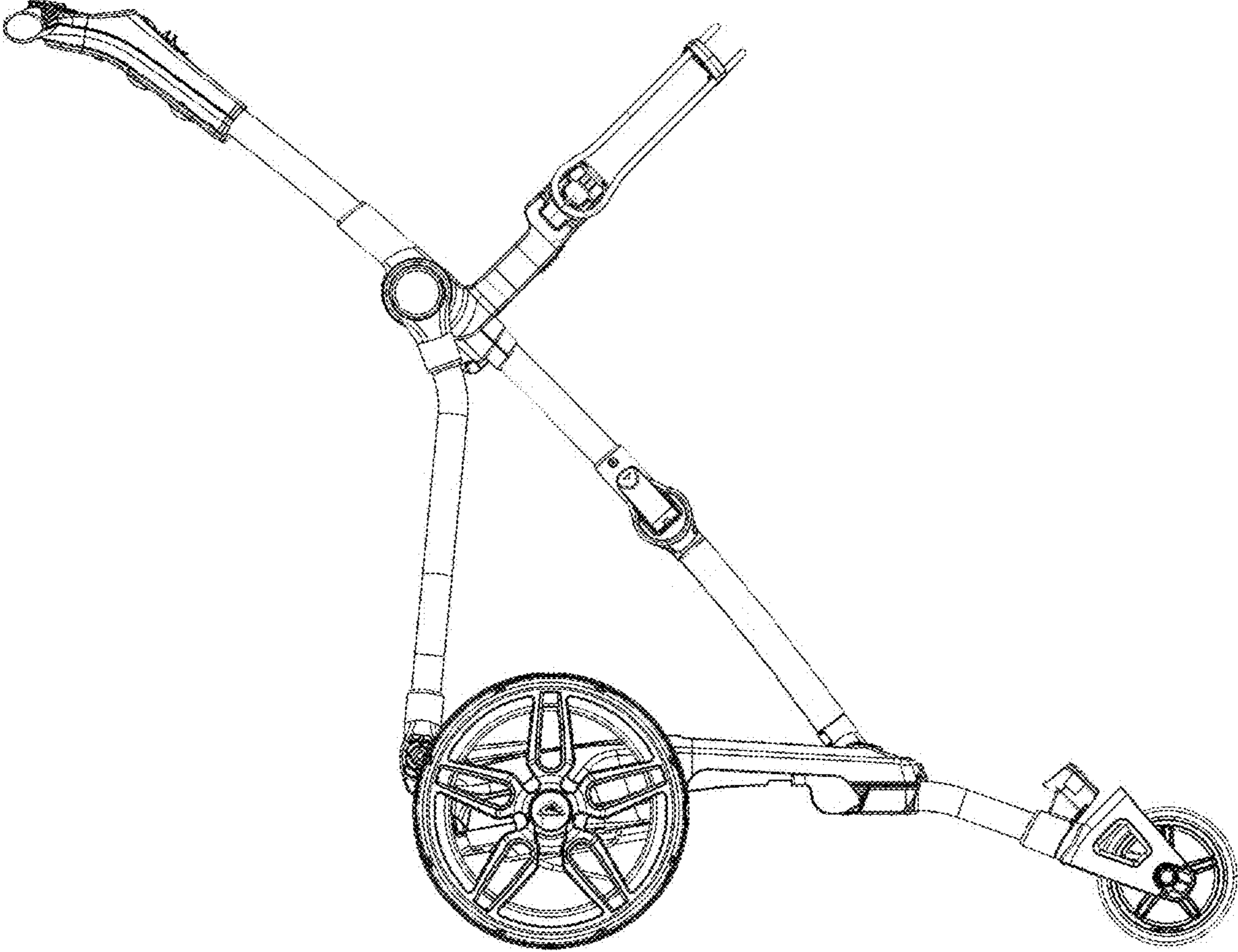


FIG. 6

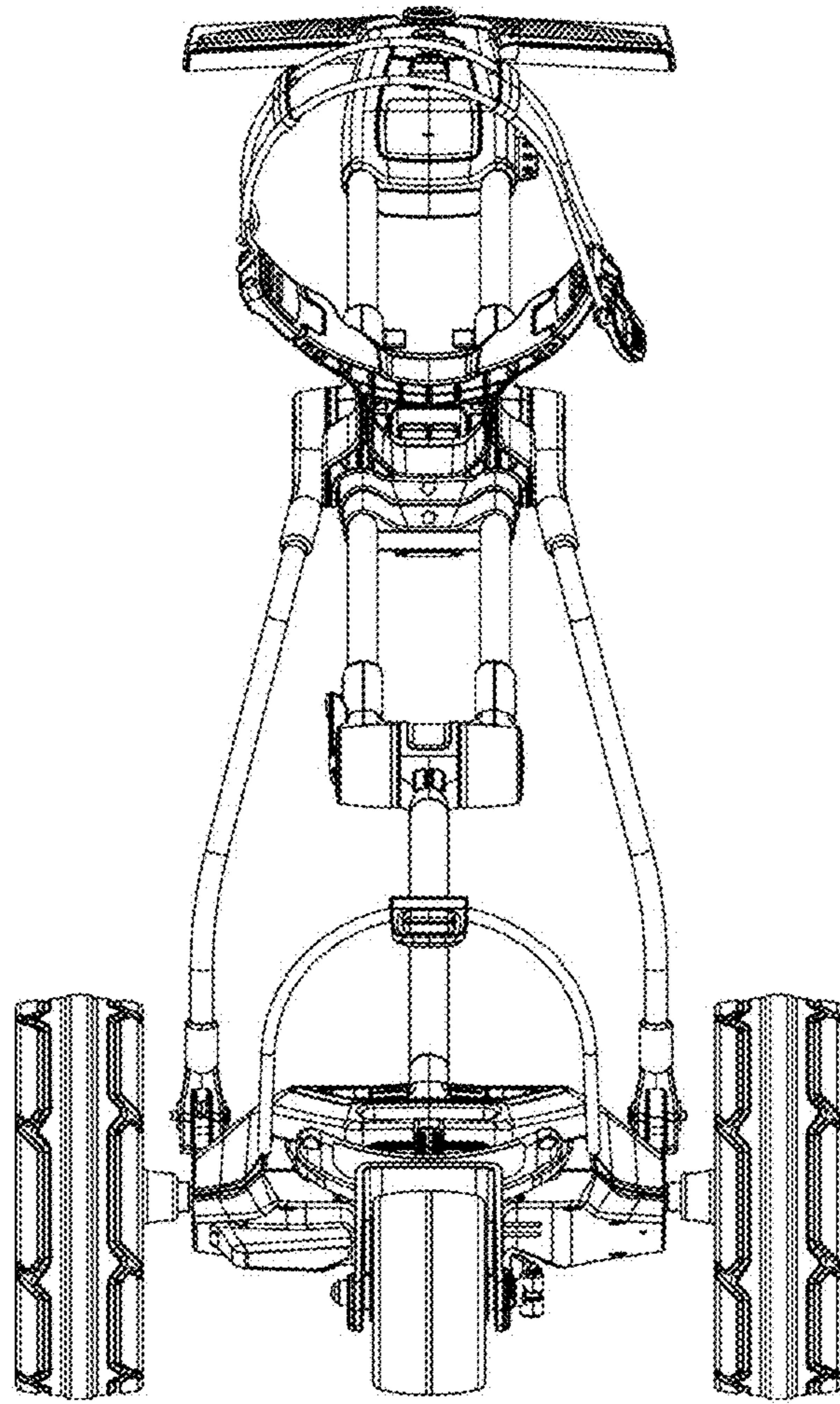


FIG. 7

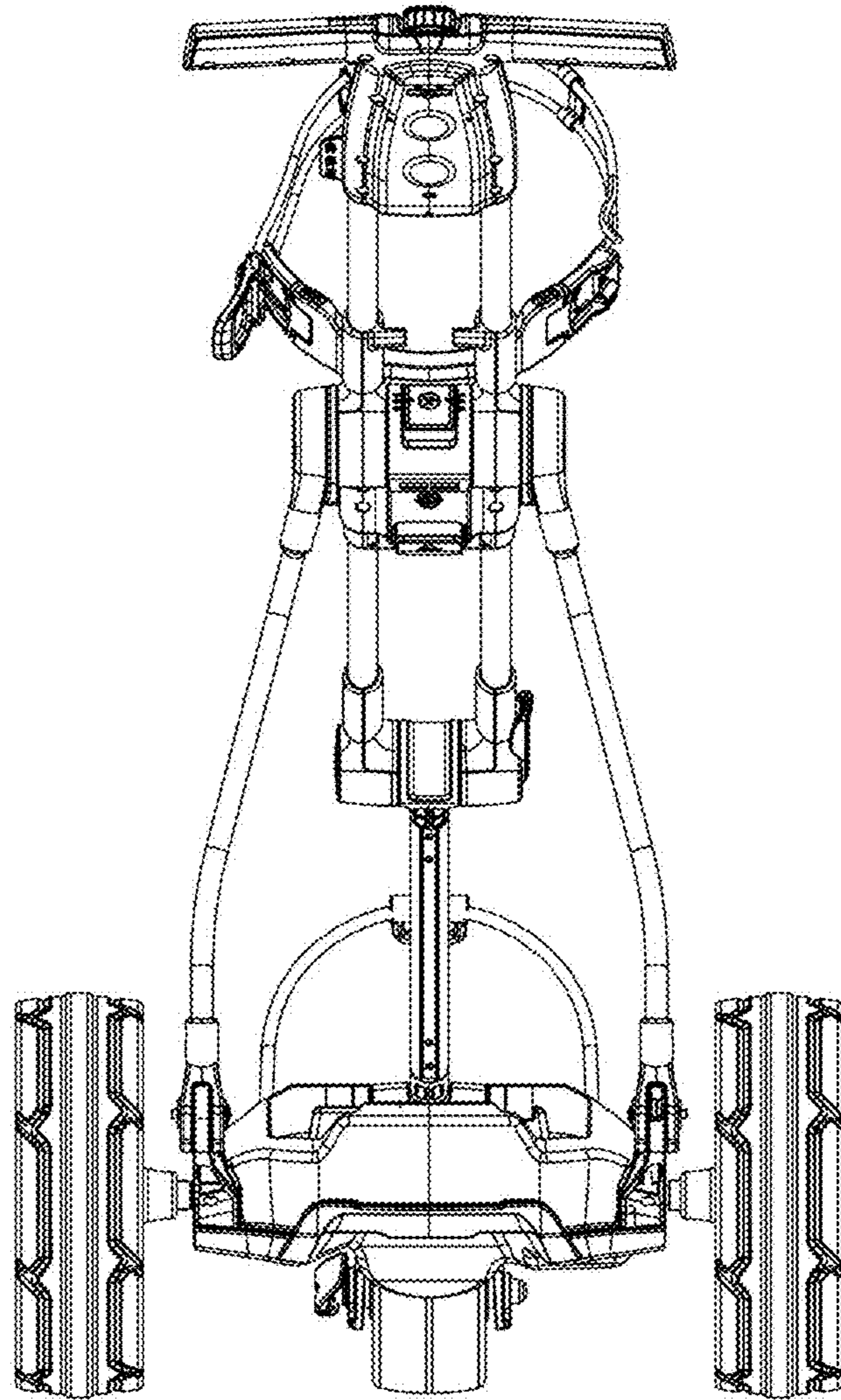


FIG. 8

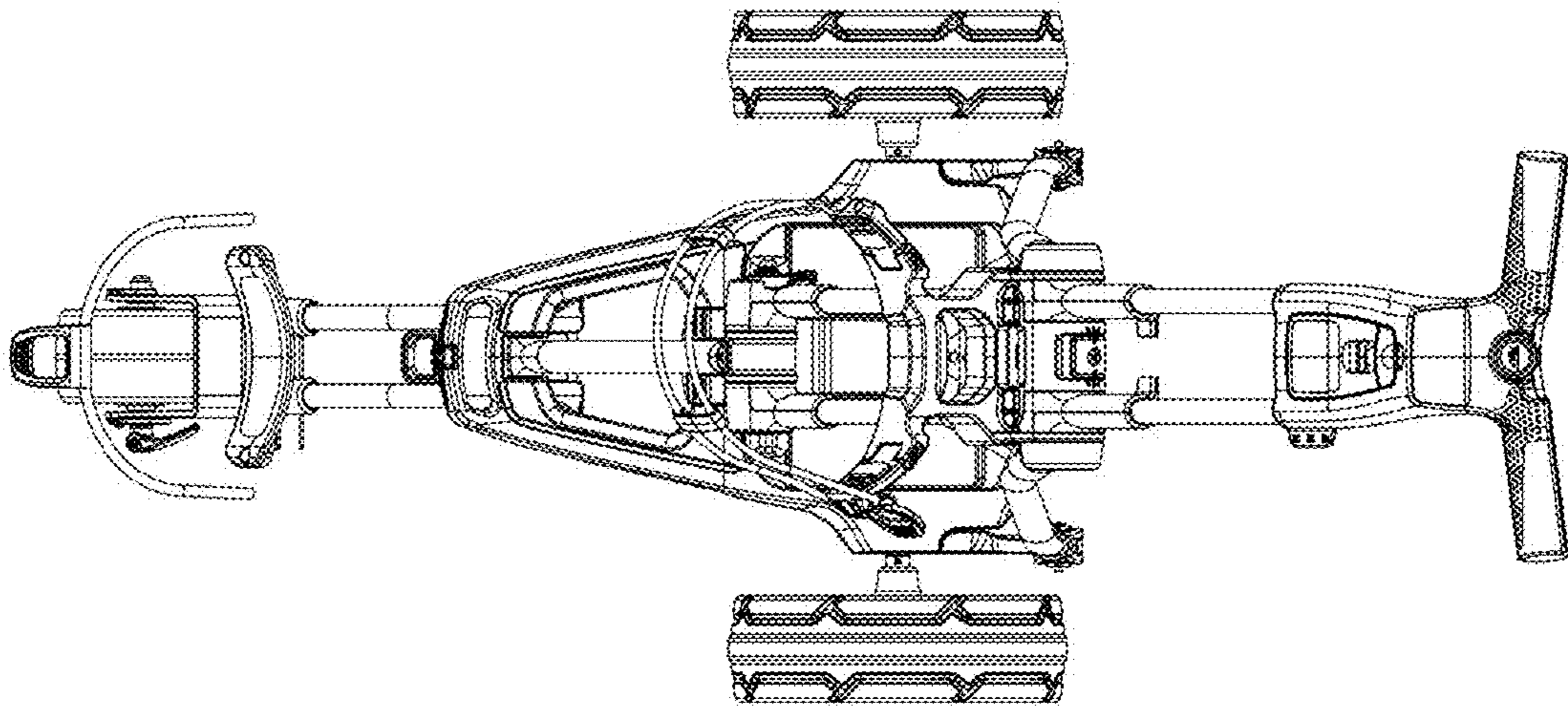


FIG. 9

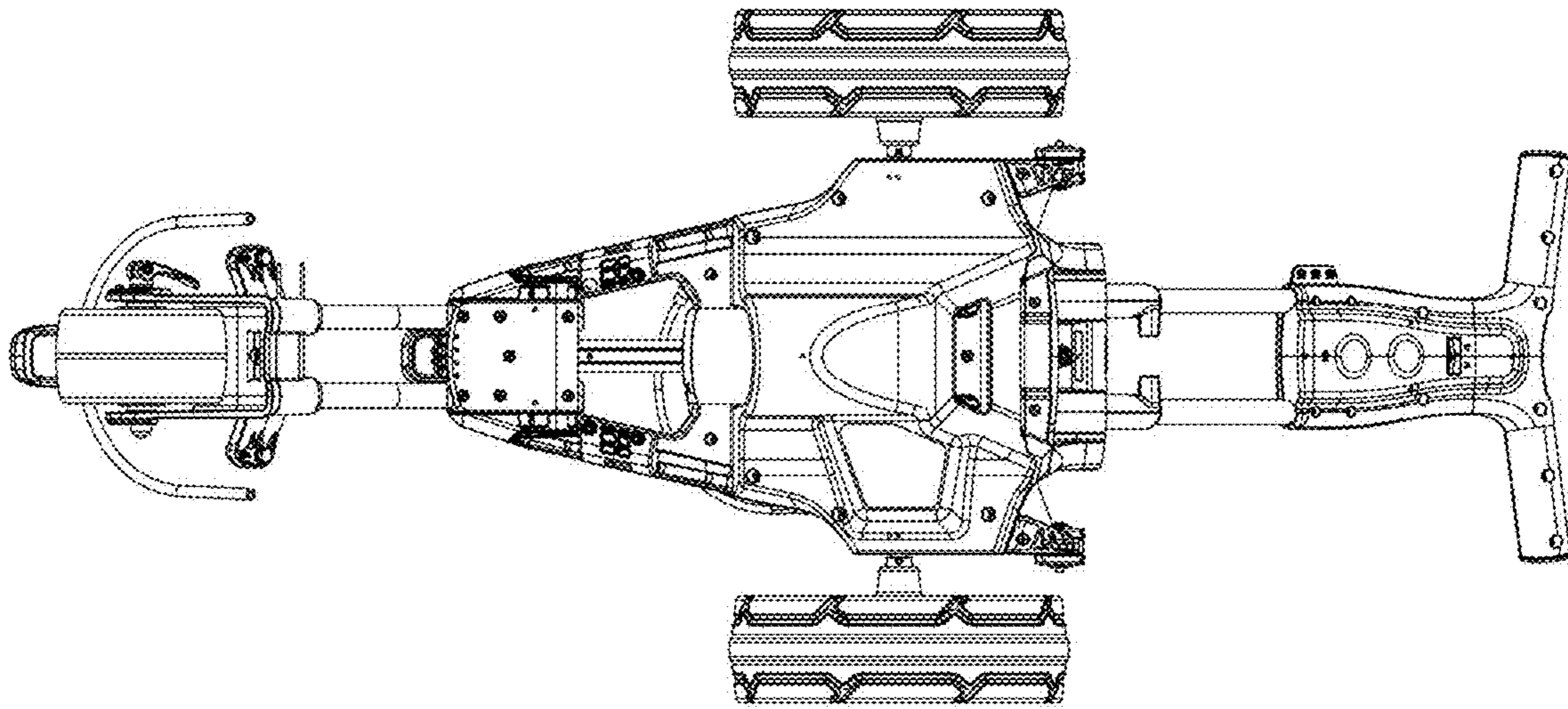


FIG. 10

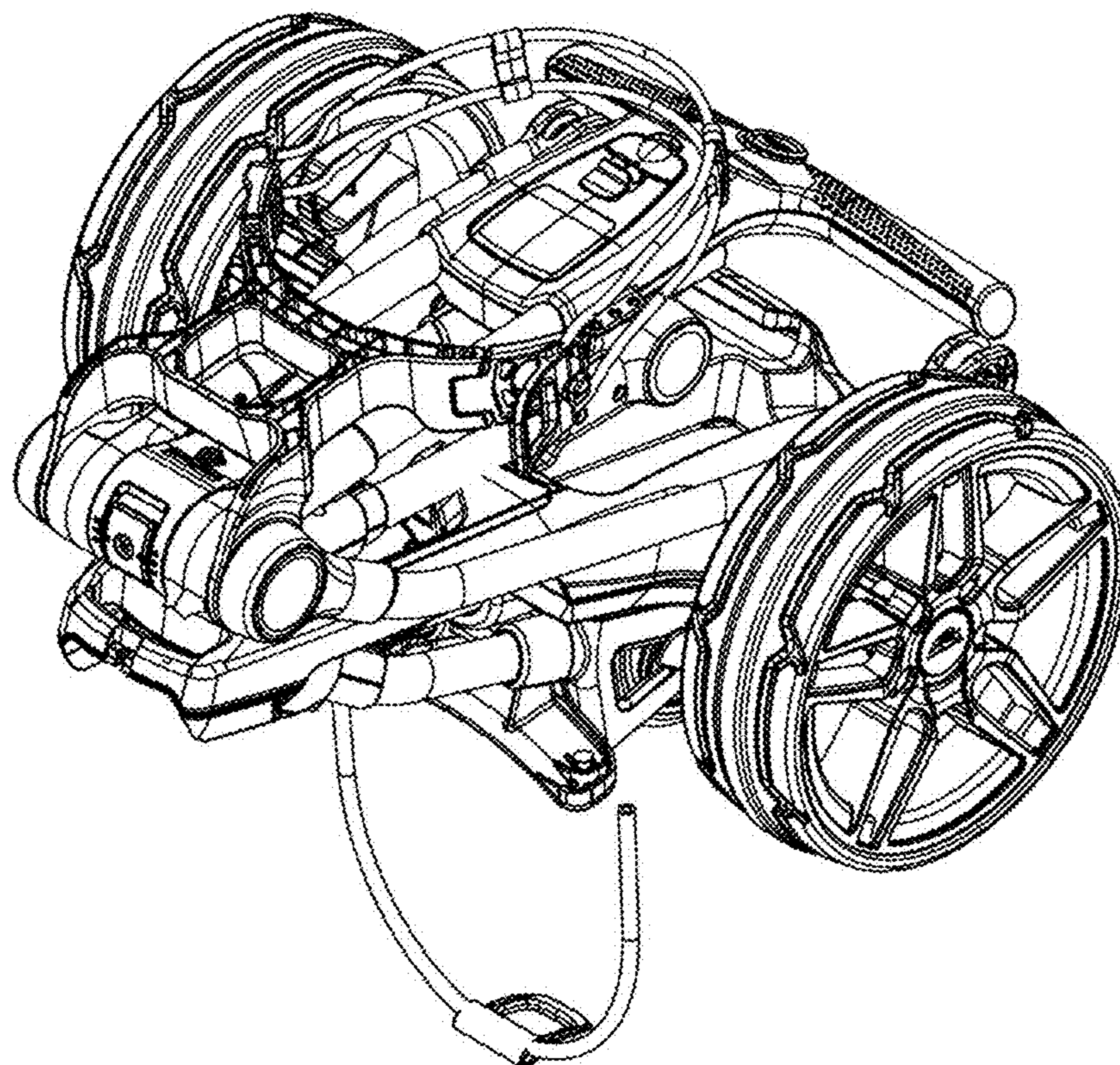


FIG. 11

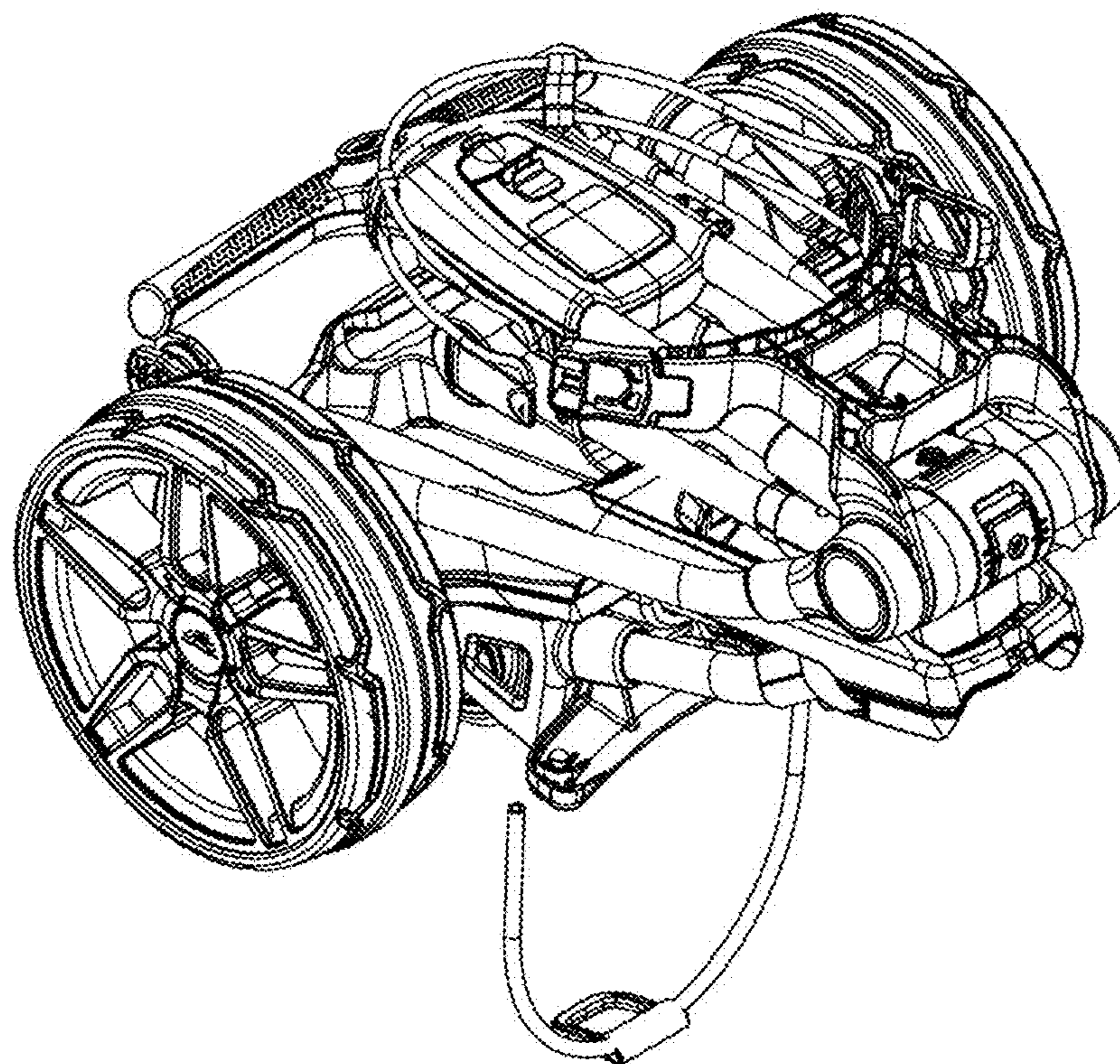


FIG. 12

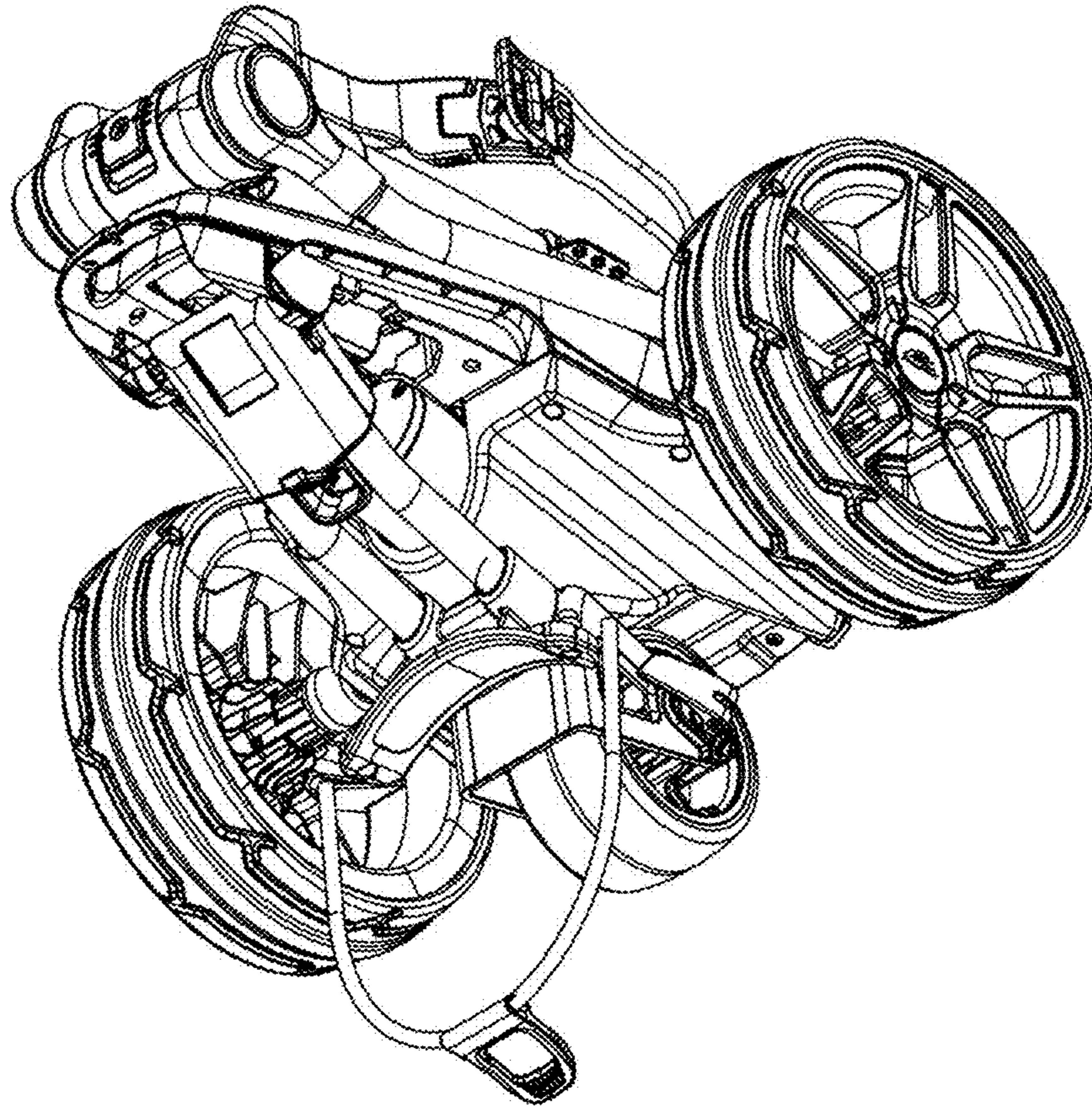


FIG. 13

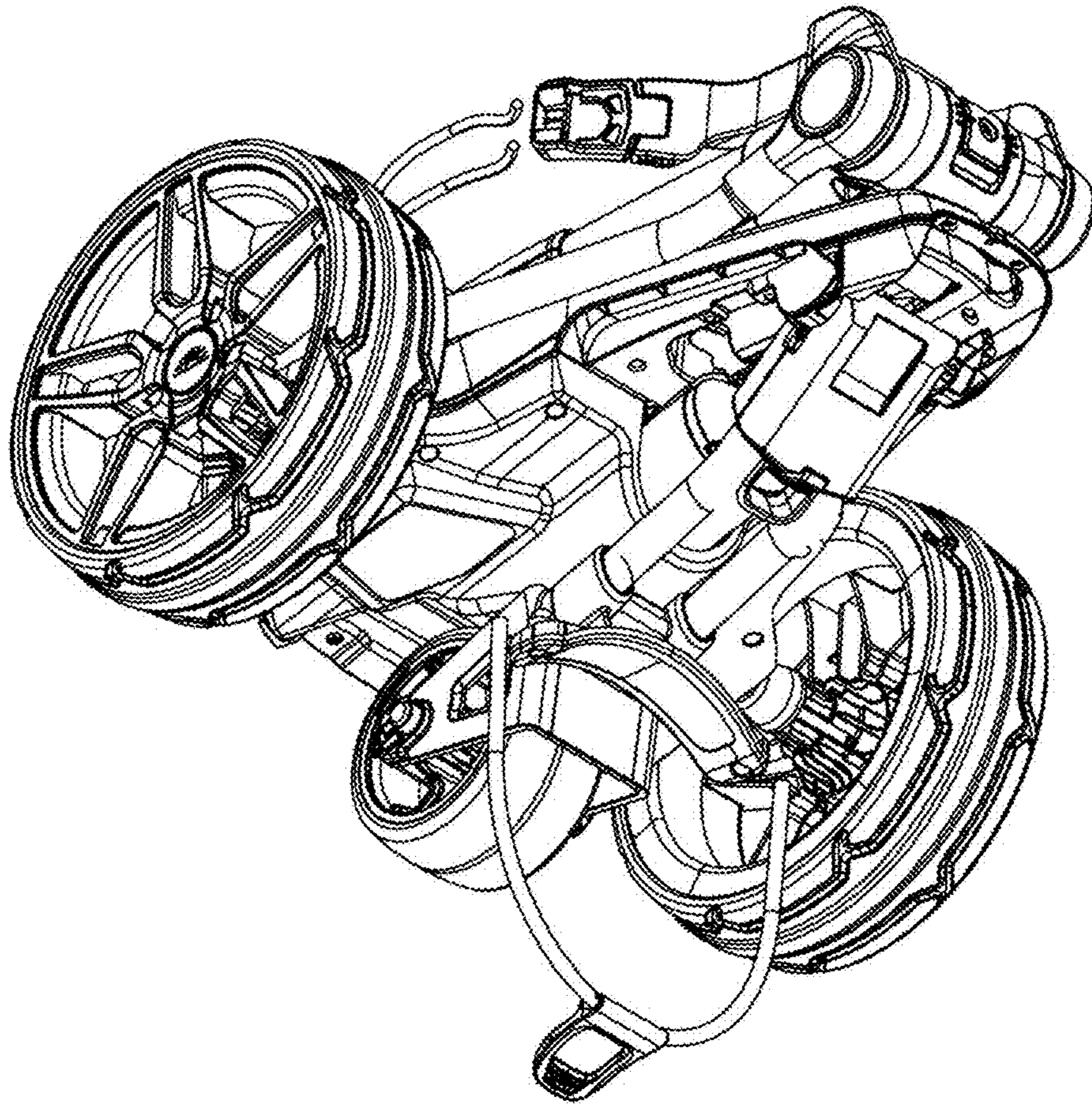


FIG. 14

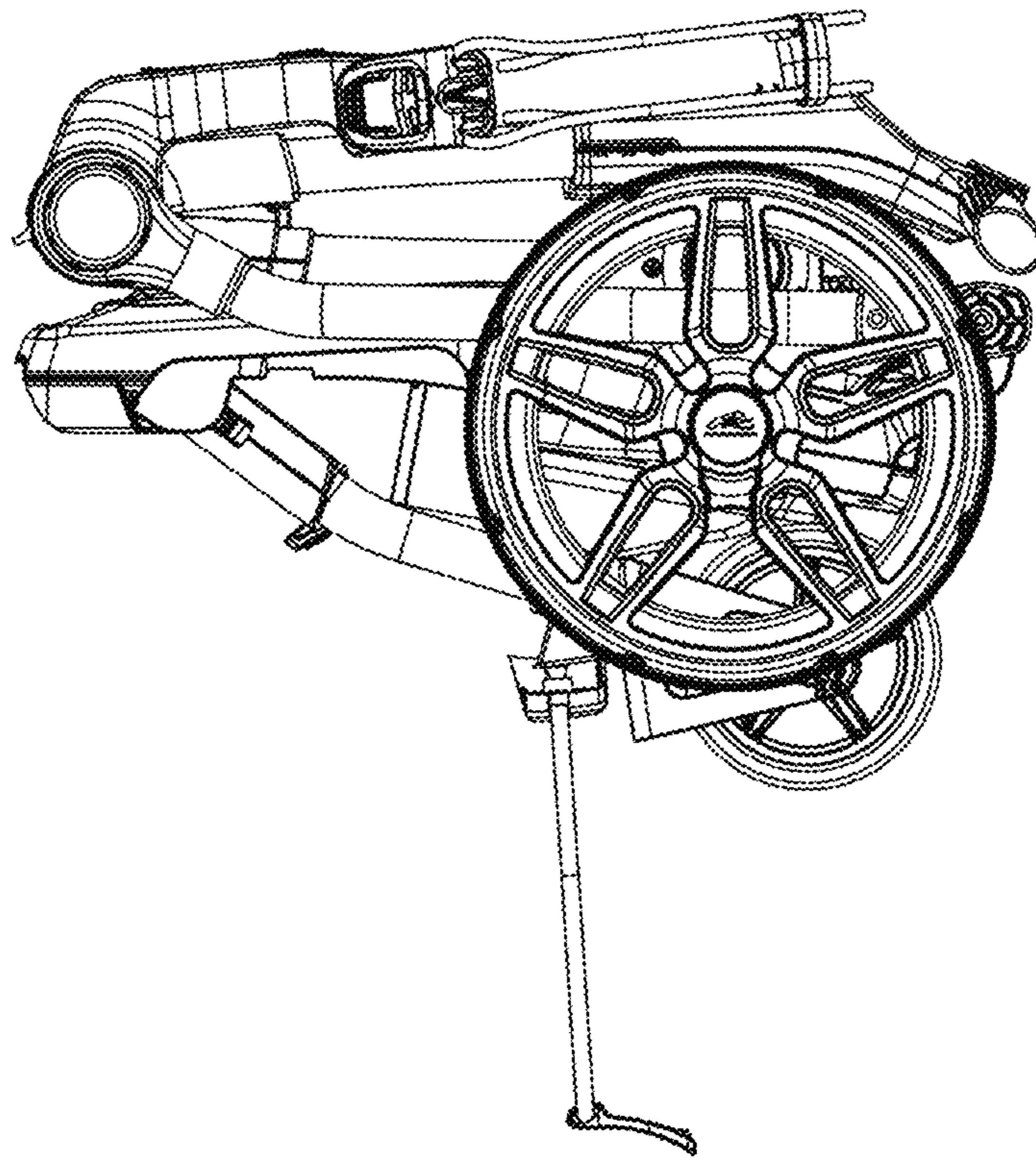


FIG. 15

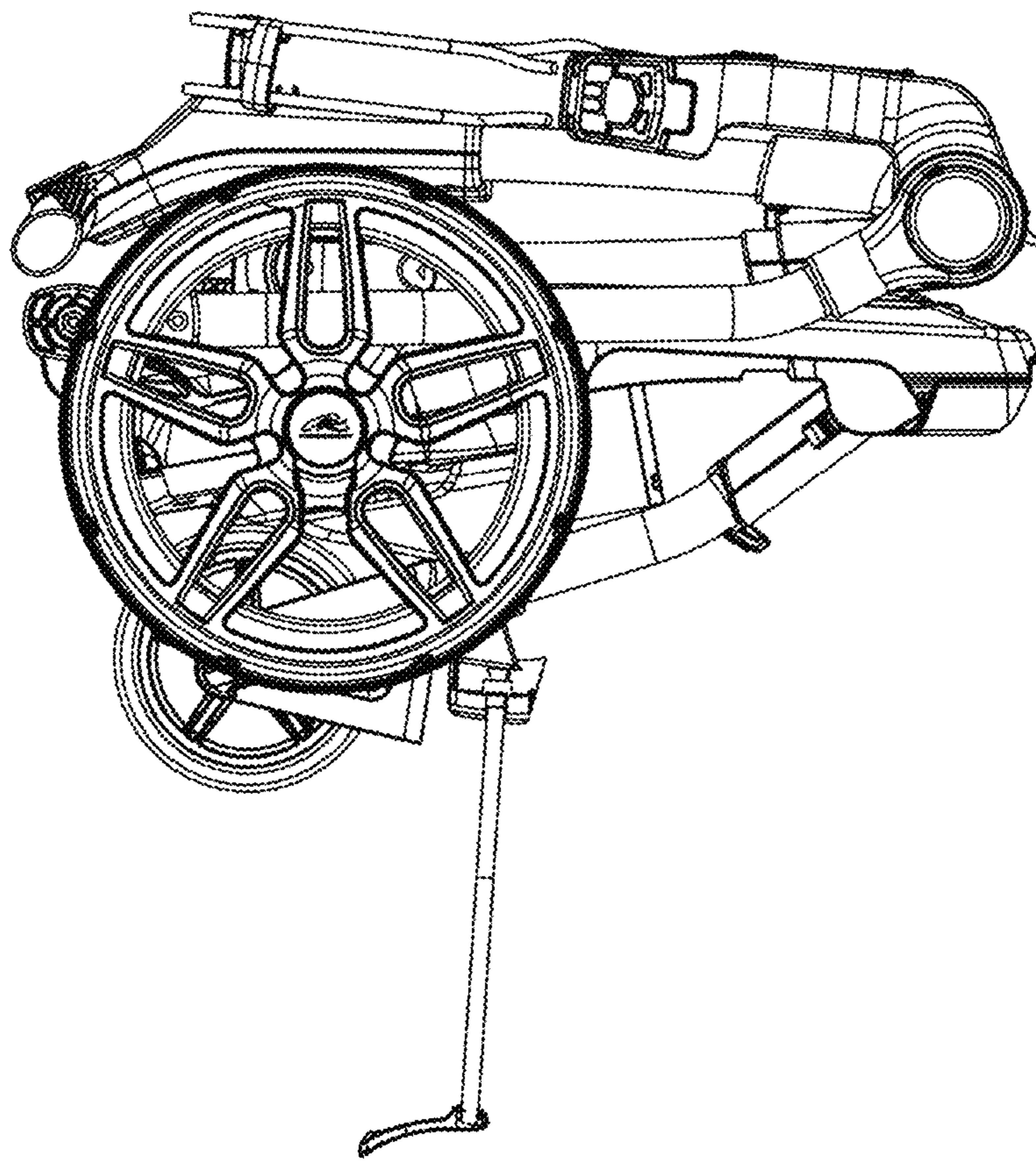


FIG. 16

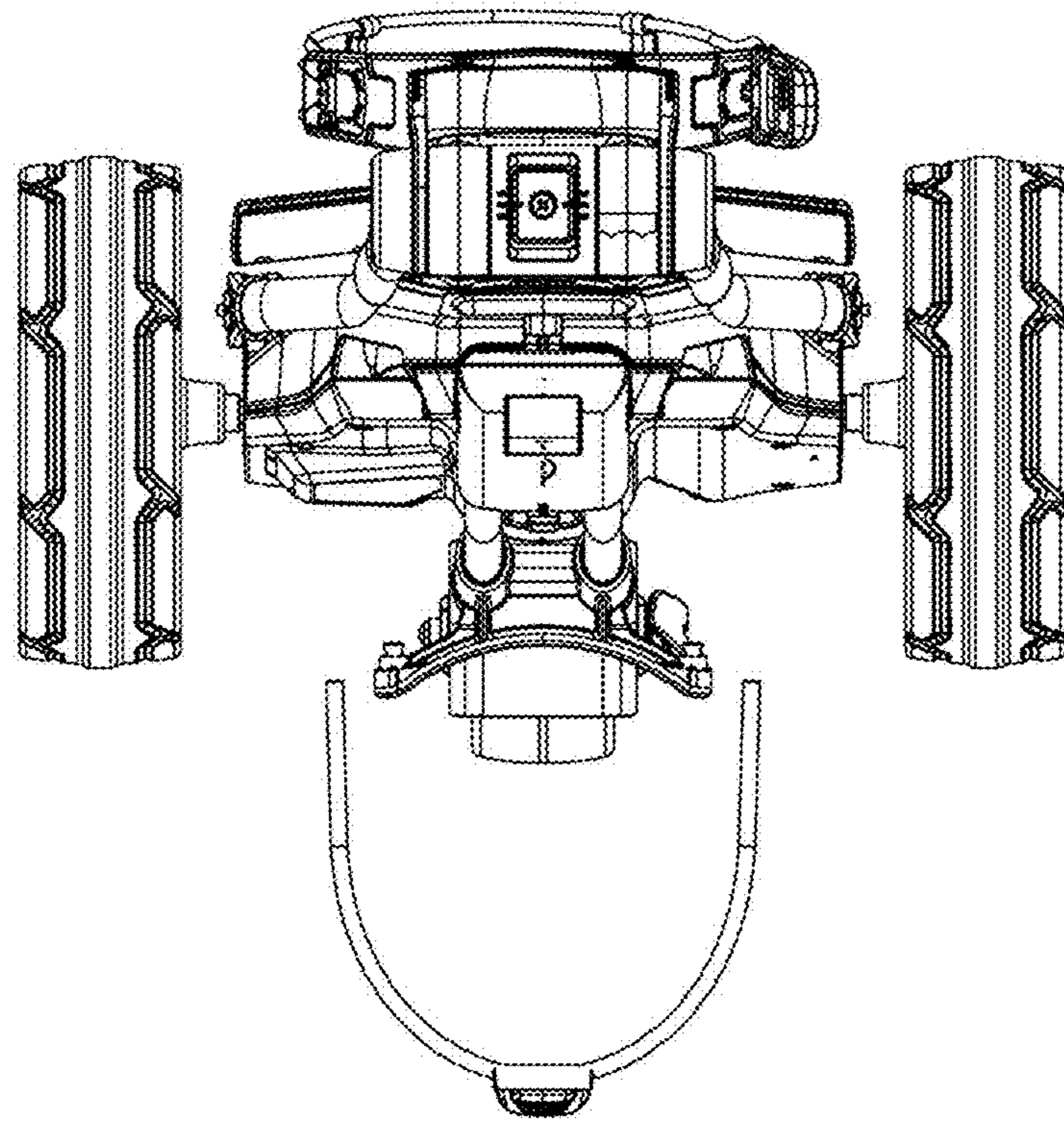


FIG. 17

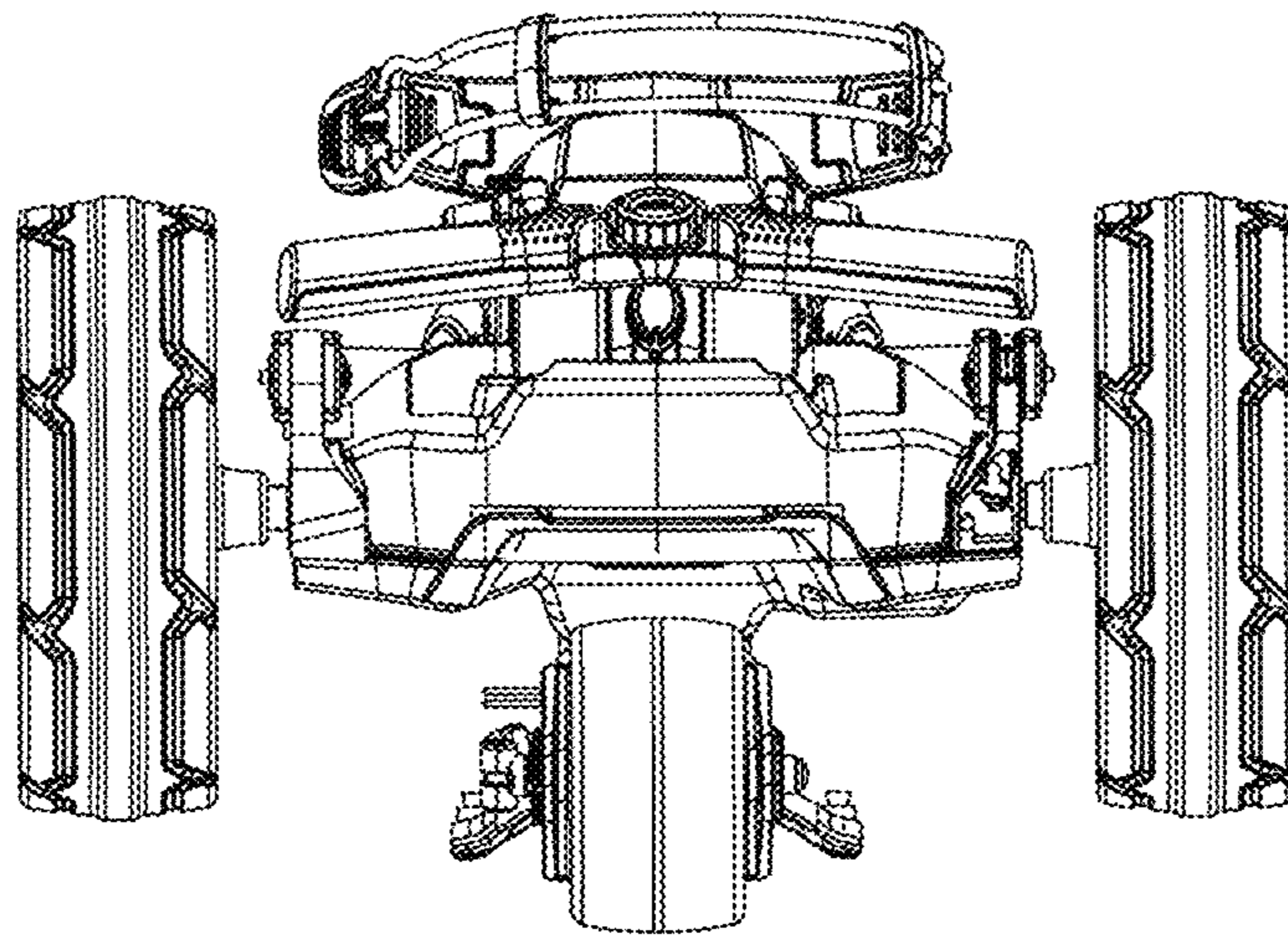


FIG. 18

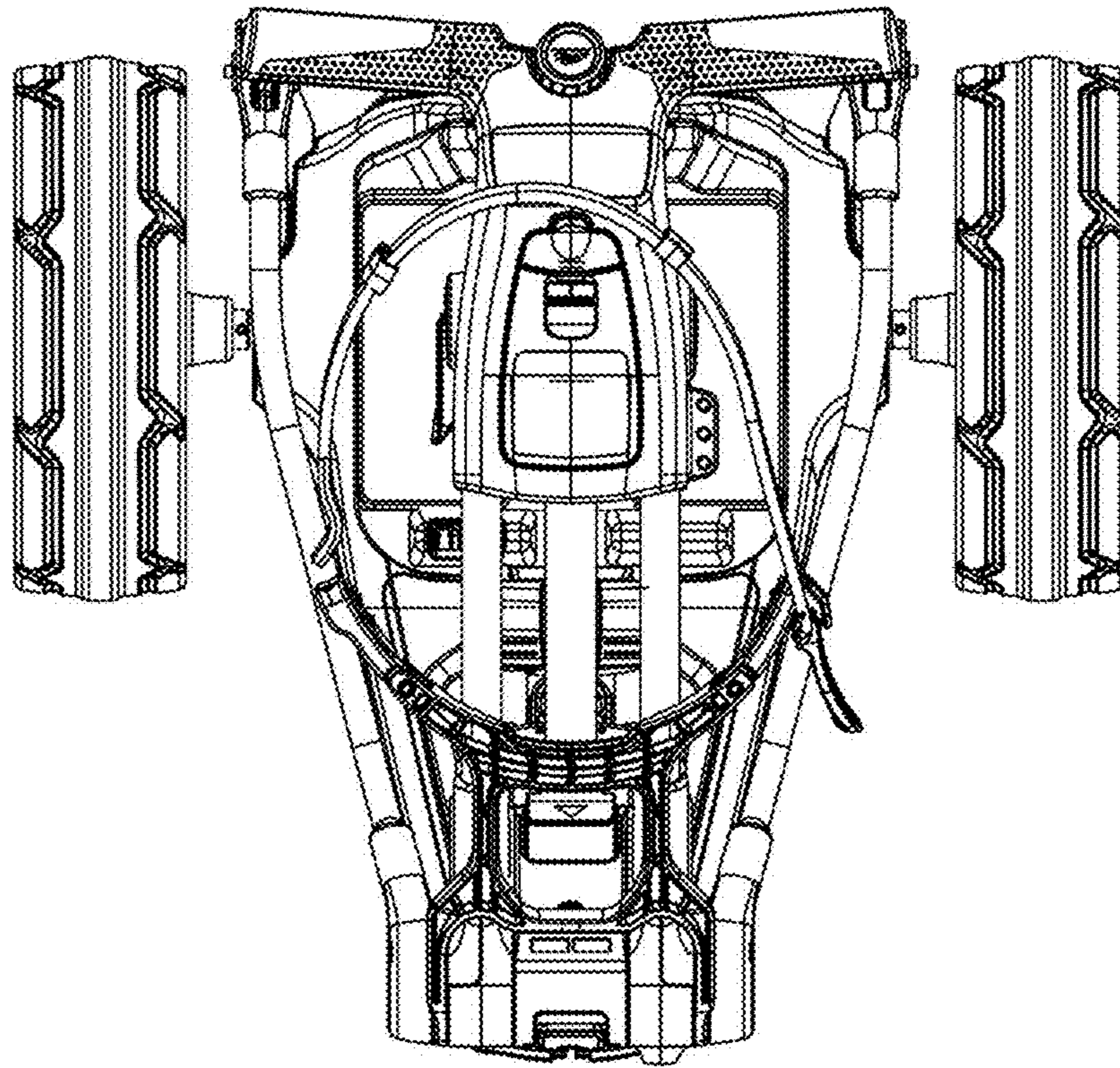


FIG. 19

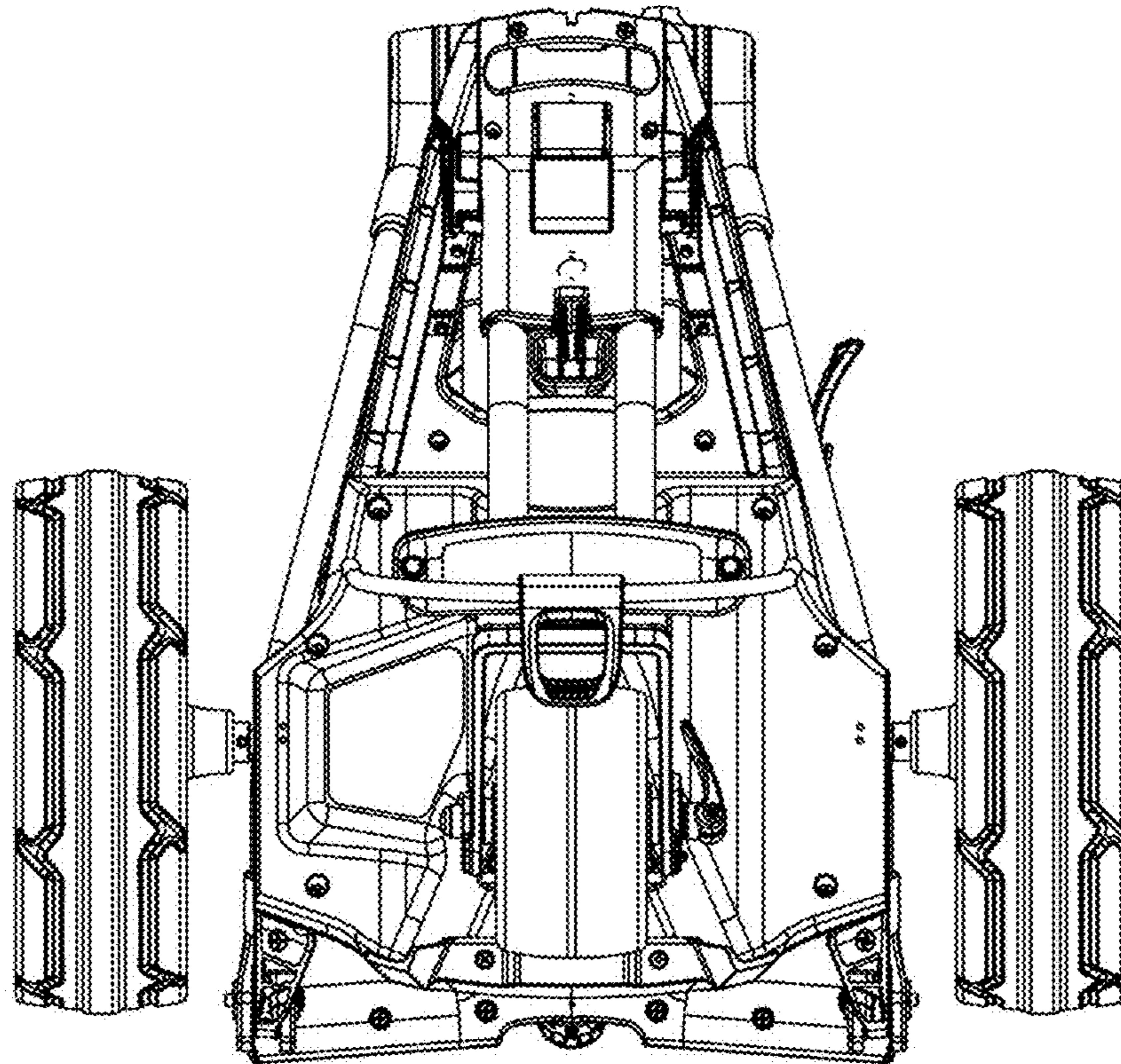


FIG. 20