



US00D870407S

(12) **United States Design Patent**
Cohen

(10) **Patent No.:** **US D870,407 S**

(45) **Date of Patent:** **** Dec. 17, 2019**

(54) **CLOTHES PEG FOR COUPLING SOCKS**

(71) Applicant: **Amir Cohen**, Modiin (IL)

(72) Inventor: **Amir Cohen**, Modiin (IL)

(**) Term: **15 Years**

(21) Appl. No.: **29/636,541**

(22) Filed: **Feb. 9, 2018**

(51) **LOC (12) Cl.** **07-05**

(52) **U.S. Cl.**
USPC **D32/61**

(58) **Field of Classification Search**
USPC D32/60-61, 35, 64, 54; D11/78.1;
D19/65, 78; D6/328, 315-319; D8/72,
D8/394-396
CPC A44D 2203/00; A61B 17/0664;
A61B 17/04; A61B 17/1265; A43D
79/00; A41B 3/08; A41F 15/02; A62F
2/0063; D06F 55/00

See application file for complete search history.

(56) **References Cited**

U.S. PATENT DOCUMENTS

- 2,823,004 A * 2/1958 Melloh A47G 23/0225
248/215
- 3,013,654 A * 12/1961 Hoff D06F 55/00
206/343
- D193,510 S * 9/1962 Sanders D32/61
- 3,076,242 A * 2/1963 Priolo D06F 55/00
24/563

- D233,312 S * 10/1974 Lock D24/143
- D245,568 S * 8/1977 Edlin D32/63
- D353,245 S * 12/1994 Tucker D32/61
- D360,053 S * 7/1995 Wilborn, II D28/38
- D393,117 S * 3/1998 Doyle D32/61
- D402,778 S * 12/1998 Housman D32/61
- 6,842,951 B1 * 1/2005 Barre B25B 7/00
24/499
- D586,060 S * 2/2009 Kahn D32/54
- D599,520 S * 9/2009 Boesi D32/61
- D600,871 S * 9/2009 Keylikhes D32/54
- 2010/0269309 A1 * 10/2010 Boesi D06F 55/00
24/303

* cited by examiner

Primary Examiner — Michelle E. Wilson

(74) *Attorney, Agent, or Firm* — Alphapatent Associates,
Ltd; Daniel J. Swirsky

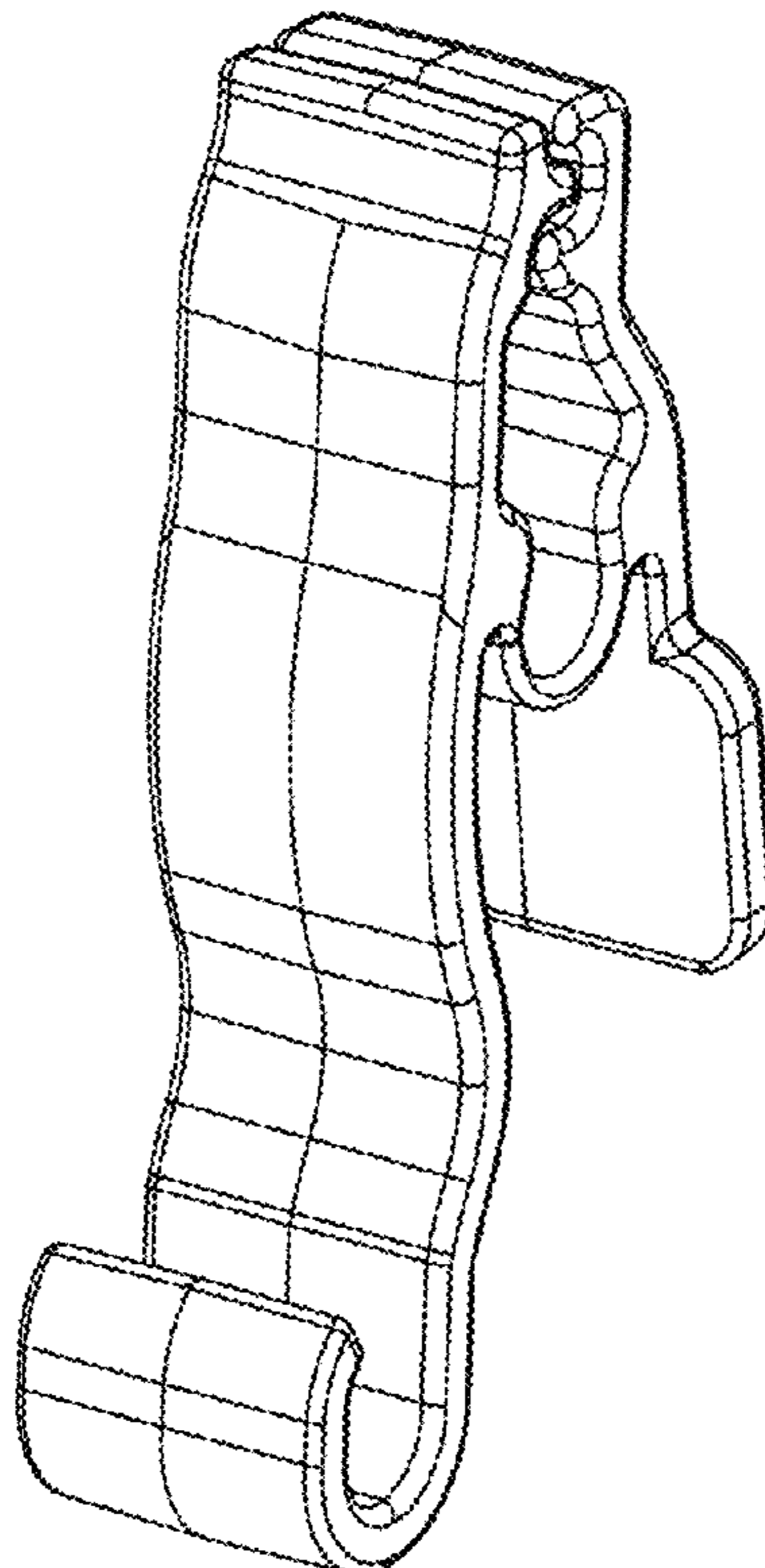
(57) **CLAIM**

The ornamental design for a clothes peg for coupling socks,
as shown and described.

DESCRIPTION

FIG. 1 is a rear view of a clothes peg for coupling socks,
showing my new design;
FIG. 2 is a bottom view thereof;
FIG. 3 is a front view thereof;
FIG. 4 is a left view thereof;
FIG. 5 is a right view thereof; and,
FIG. 6 is a top view thereof.

1 Claim, 6 Drawing Sheets



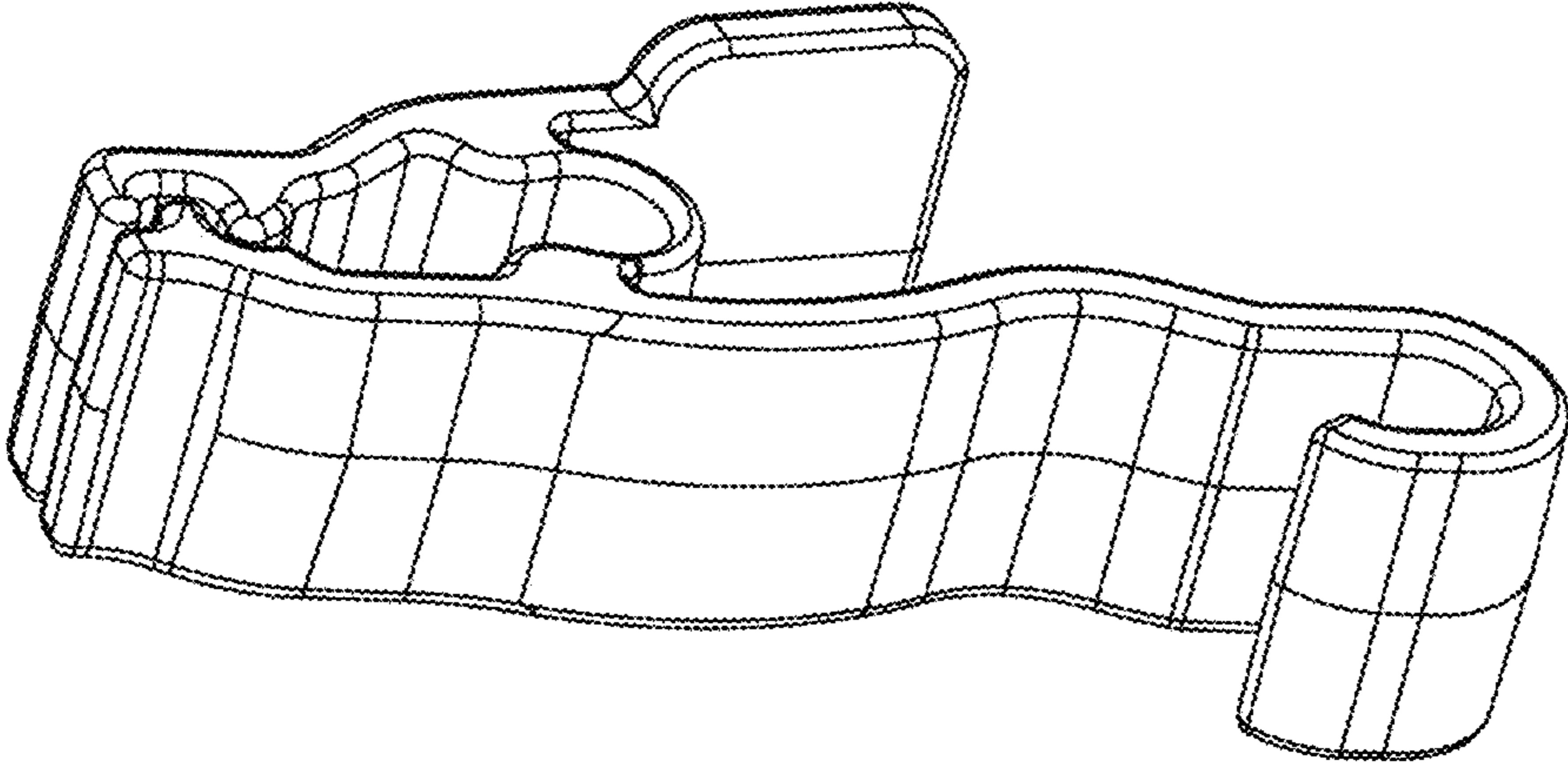


FIG 1

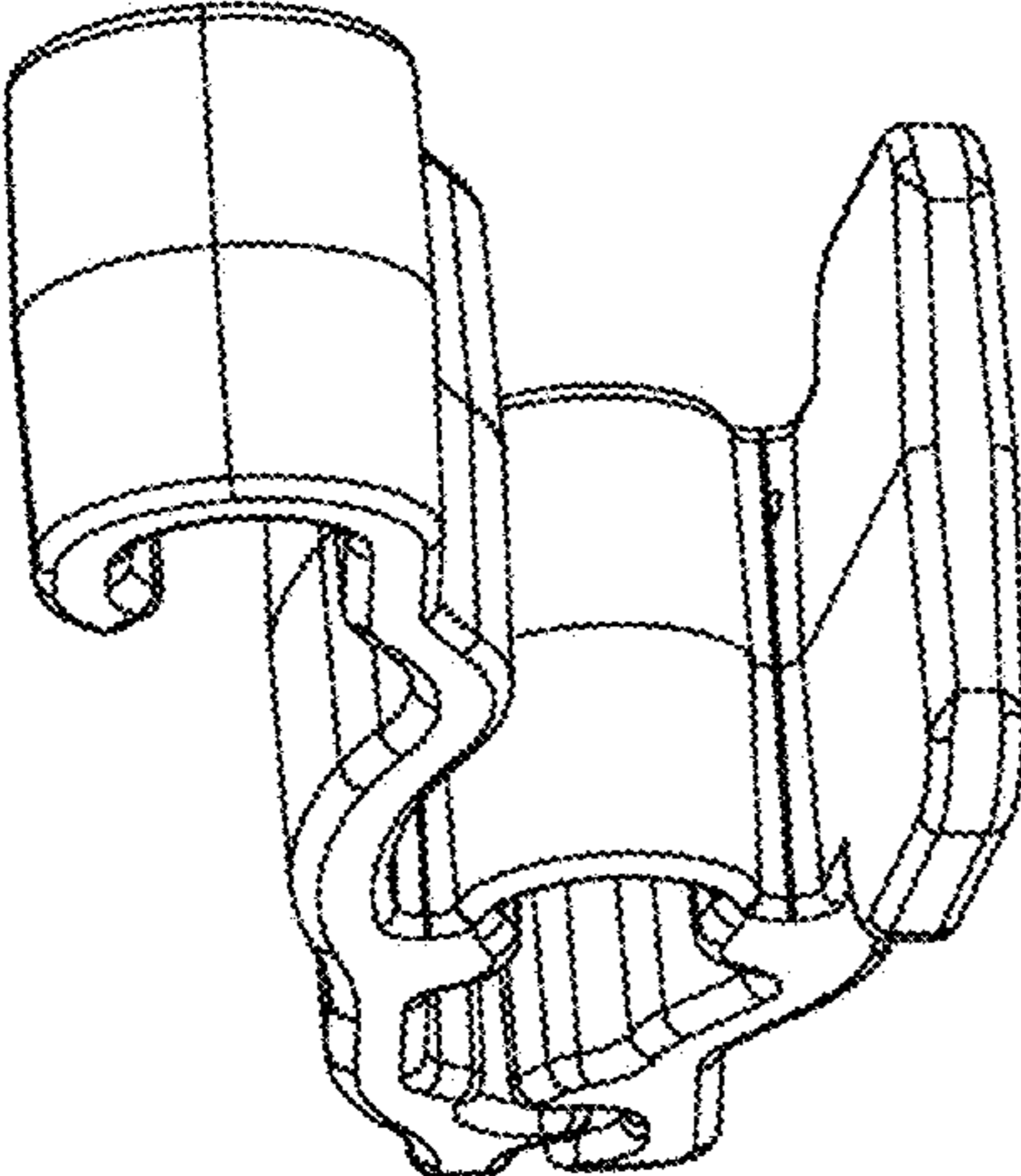


FIG 2

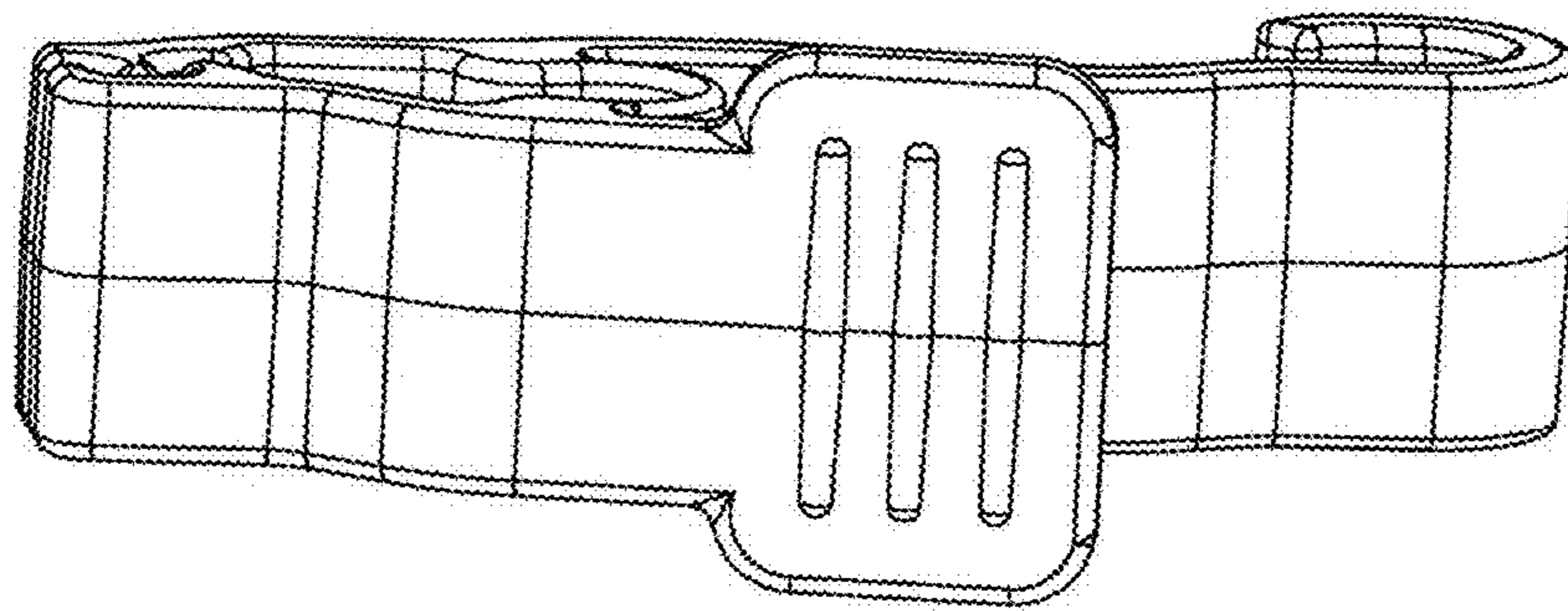


FIG 3

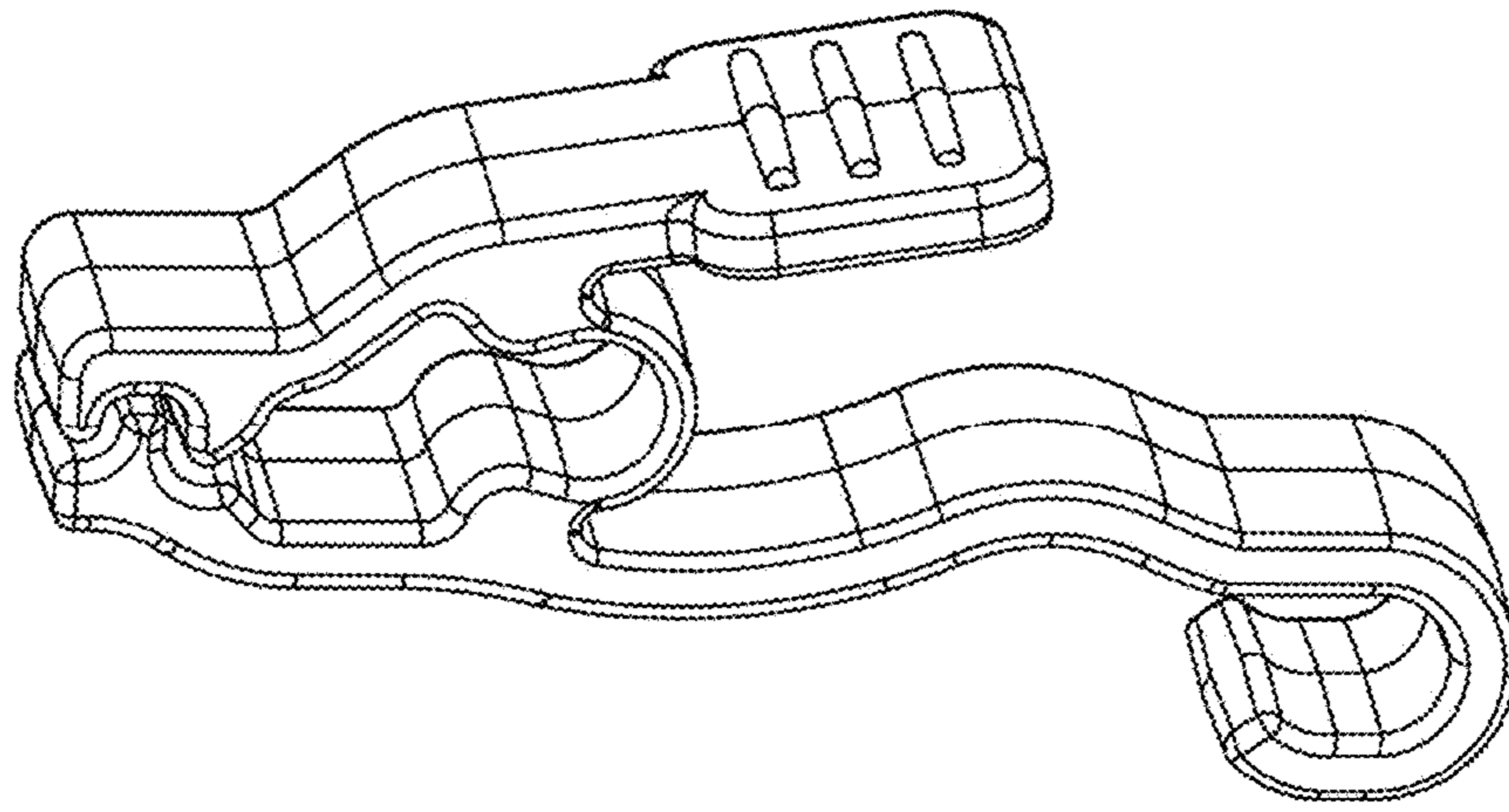


FIG 4

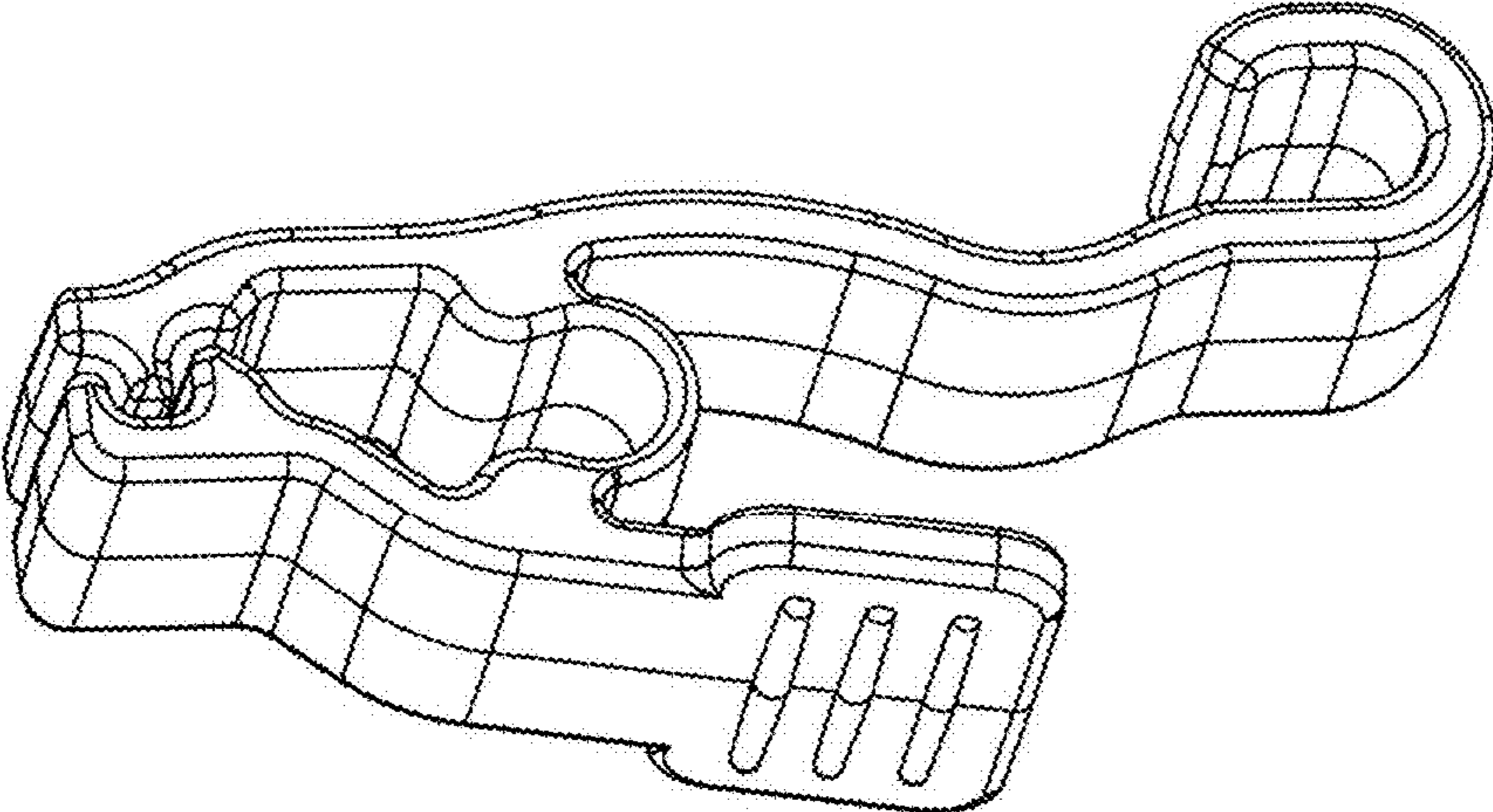


FIG 5

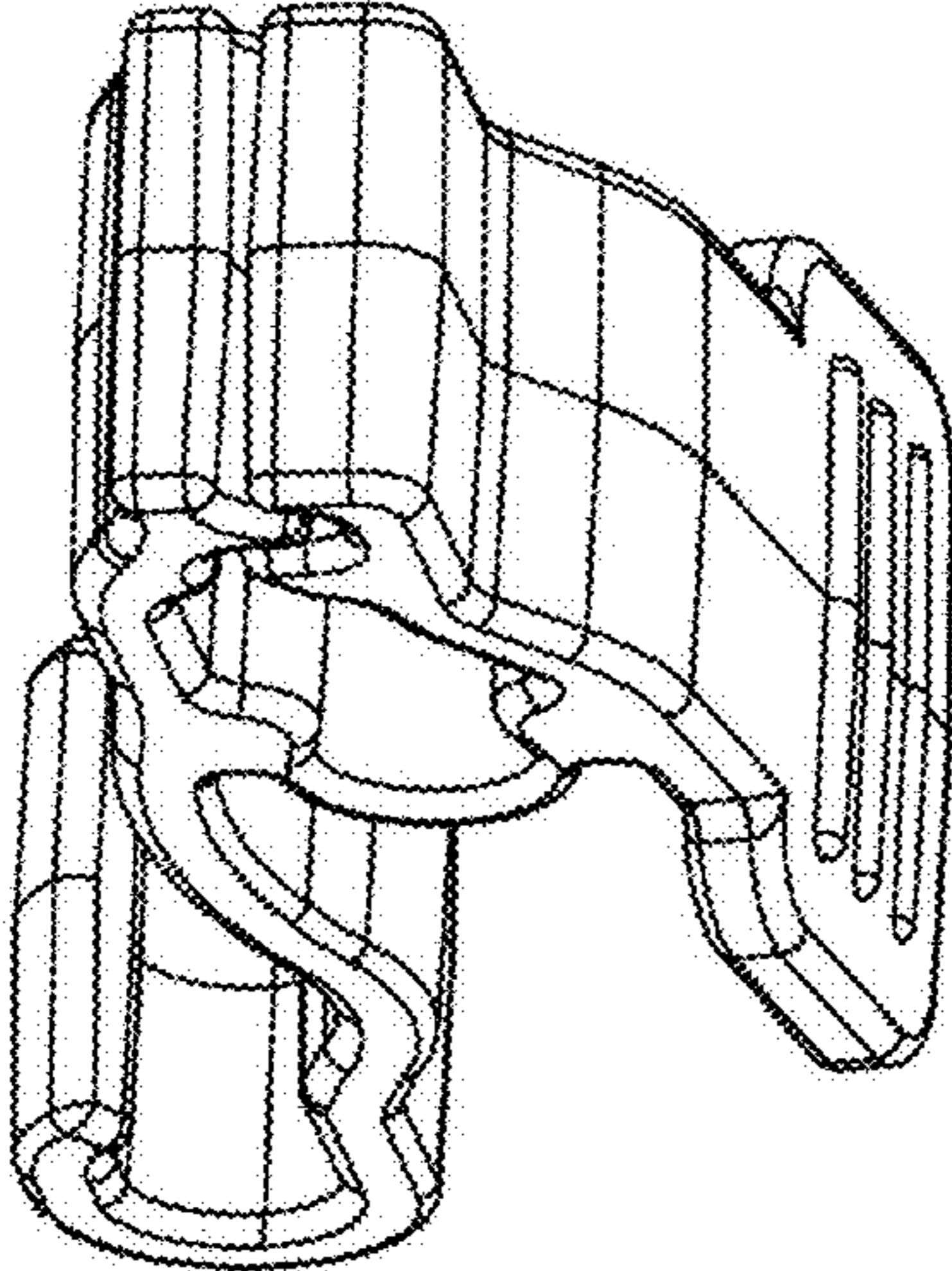


FIG 6