



US00D870405S

(12) **United States Design Patent**
Kim et al.

(10) **Patent No.:** **US D870,405 S**

(45) **Date of Patent:** **** Dec. 17, 2019**

(54) **WASHING MACHINE**

(71) Applicant: **Samsung Electronics Co., Ltd.**,
Suwon-si (KR)

(72) Inventors: **Jinnam Kim**, Seoul (KR); **Jungah Choi**, Seoul (KR)

(73) Assignee: **Samsung Electronics Co., Ltd.**,
Suwon-si (KR)

(**) Term: **15 Years**

(21) Appl. No.: **29/661,602**

(22) Filed: **Aug. 29, 2018**

Related U.S. Application Data

(63) Continuation of application No. 29/615,383, filed on Aug. 29, 2017, now Pat. No. Des. 830,019.

(30) **Foreign Application Priority Data**

May 22, 2017 (KR) 30-2017-0023116

(51) **LOC (12) Cl.** **15-05**

(52) **U.S. Cl.**
USPC **D32/28**

(58) **Field of Classification Search**

USPC D32/1, 28, 6, 25, 29, 29.1, 8; D15/89;
D13/162, 162.1, 164, 177; D7/348, 349,
D7/402, 405, 406

CPC D06F 39/045; D06F 29/00; D06F 29/005;
D06F 33/02; D06F 2204/065; D06F
25/00; D06F 35/006; D06F 37/28; D06F
39/14; D06F 58/203

See application file for complete search history.

(56) **References Cited**

U.S. PATENT DOCUMENTS

D540,499 S * 4/2007 Crookshanks D32/28
D573,762 S * 7/2008 Eicher D32/28

D577,471 S * 9/2008 Park D32/28
D613,010 S * 3/2010 Eicher D32/28
D681,892 S * 5/2013 Meda D32/28
D684,740 S * 6/2013 Geyer D32/28
D693,674 S 11/2013 Swart et al.
D693,974 S * 11/2013 Geyer D32/28
D702,407 S * 4/2014 Geyer D32/28
D705,508 S * 5/2014 Calmeise D32/28
D744,179 S * 11/2015 Lee D32/28
D747,575 S * 1/2016 Choi D32/28
D759,916 S * 6/2016 Choi D32/28

(Continued)

FOREIGN PATENT DOCUMENTS

JP D1424953 10/2011
KR 30-2006-0020554 9/2007

(Continued)

Primary Examiner — Michelle E. Wilson

(74) *Attorney, Agent, or Firm* — NSIP Law

(57) **CLAIM**

We claim the ornamental design for a washing machine, as shown and described.

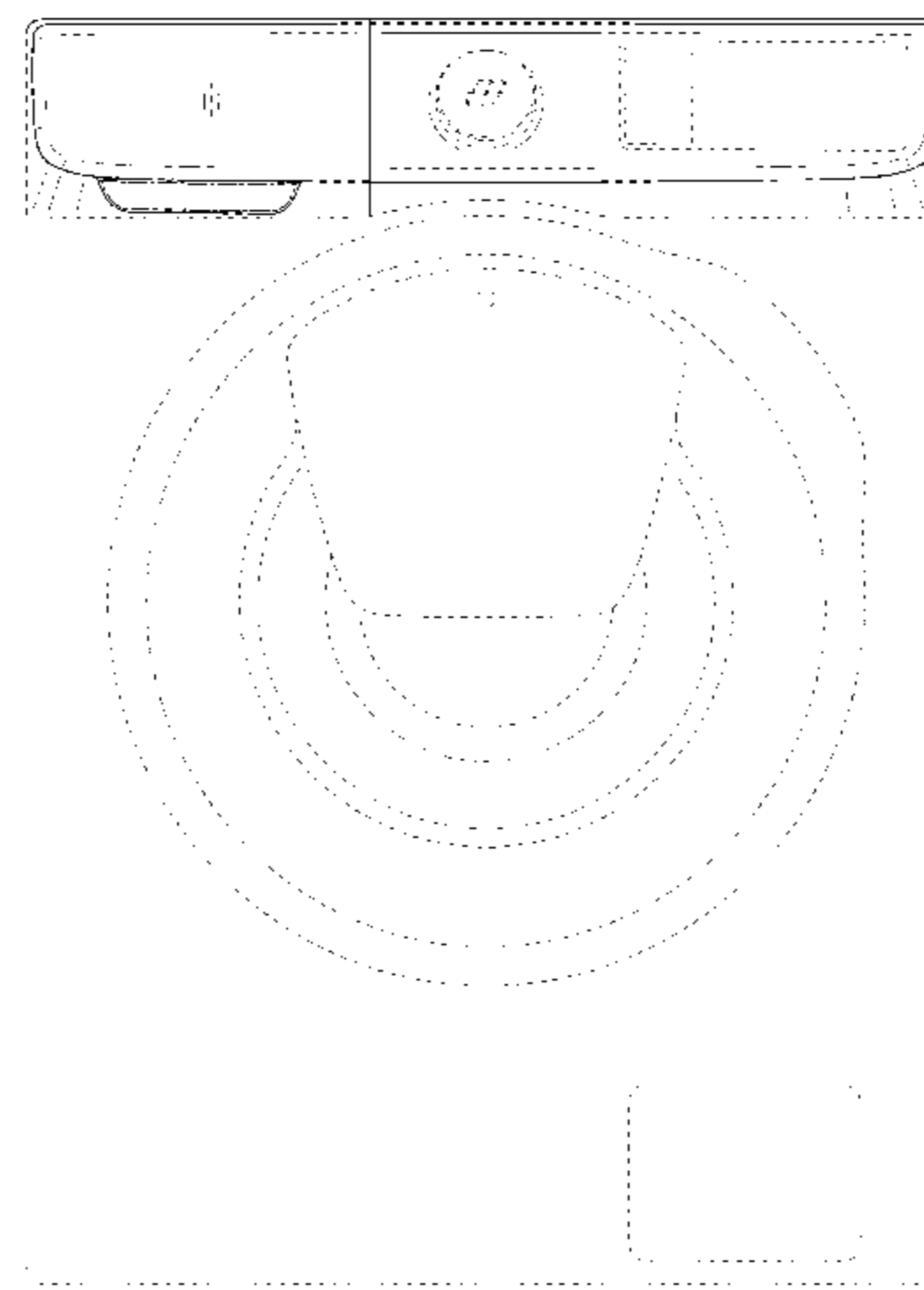
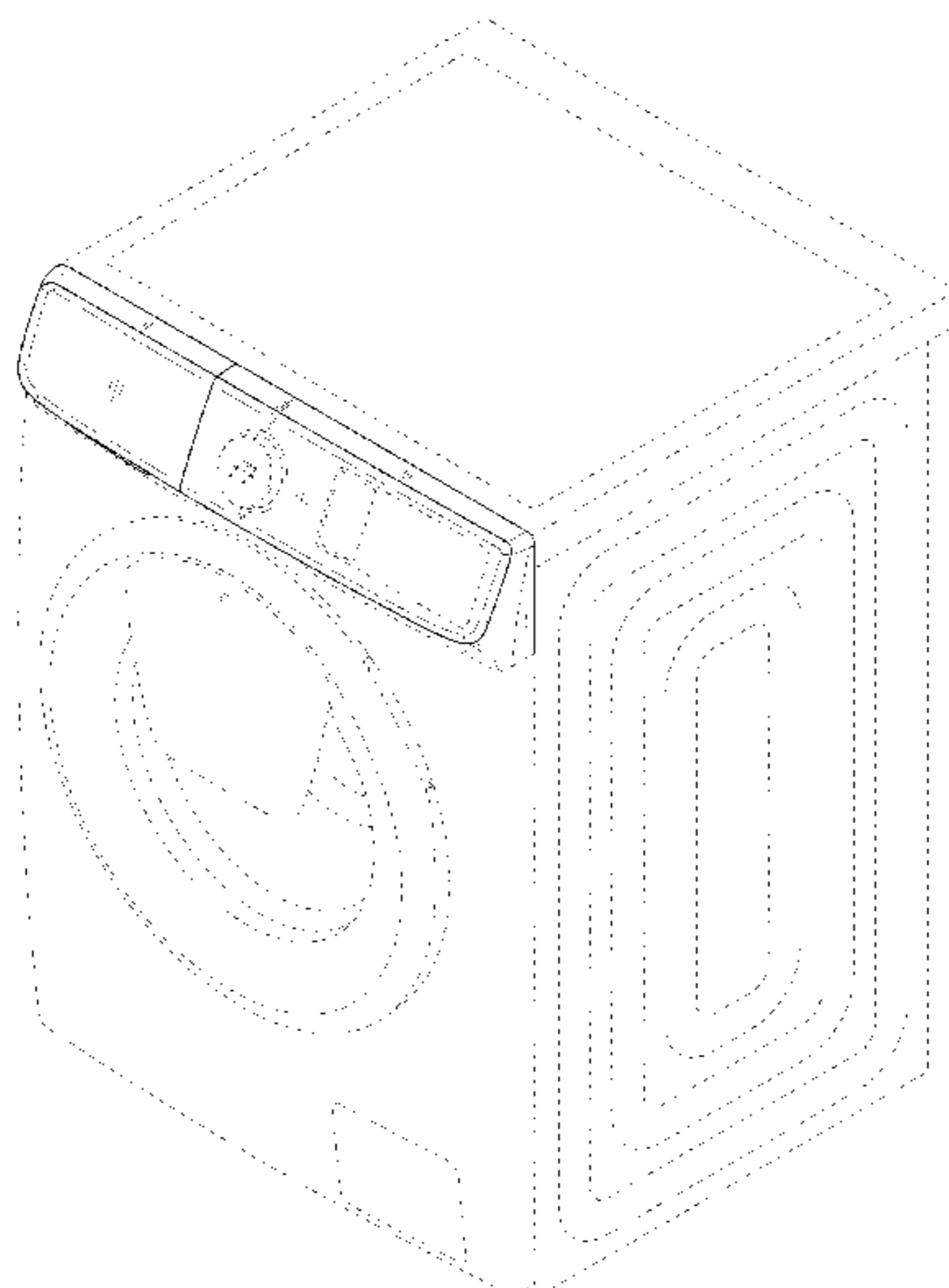
DESCRIPTION

FIG. 1 is a front perspective view of a washing machine showing our new design;
FIG. 2 is a front view thereof;
FIG. 3 is a rear view thereof;
FIG. 4 is a left-side view thereof;
FIG. 5 is a right-side view thereof;
FIG. 6 is a top view thereof; and,
FIG. 7 is a bottom view thereof.

The evenly spaced dot-dot broken lines in the figures show portions of the washing machine which form no part of the claimed design.

The dot-dash broken lines in the figures represent a boundary of the claimed design and form no part thereof.

1 Claim, 7 Drawing Sheets



(56)

References Cited

U.S. PATENT DOCUMENTS

D759,917 S	*	6/2016	Choi	D32/28
D760,457 S	*	6/2016	Choi	D32/28
D760,458 S	*	6/2016	Choi	D32/28
D771,888 S	*	11/2016	Kim	D32/28
D794,884 S	*	8/2017	Ayers	D32/28

FOREIGN PATENT DOCUMENTS

KR	30-2008-0033864	2/2009
KR	30-2013-0006874	1/2014
KR	30-2013-0020381	7/2014

* cited by examiner

FIG. 1

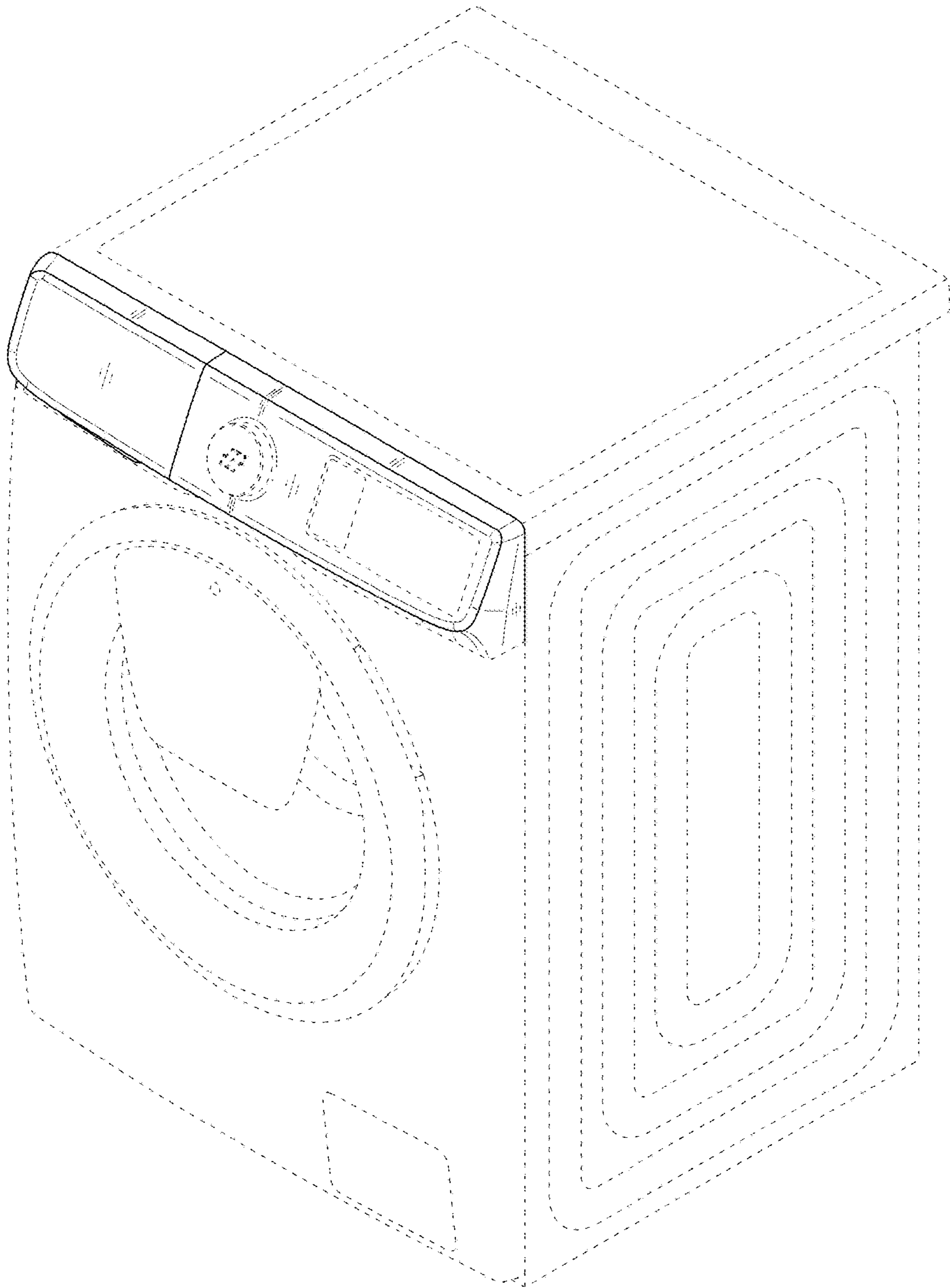


FIG. 2

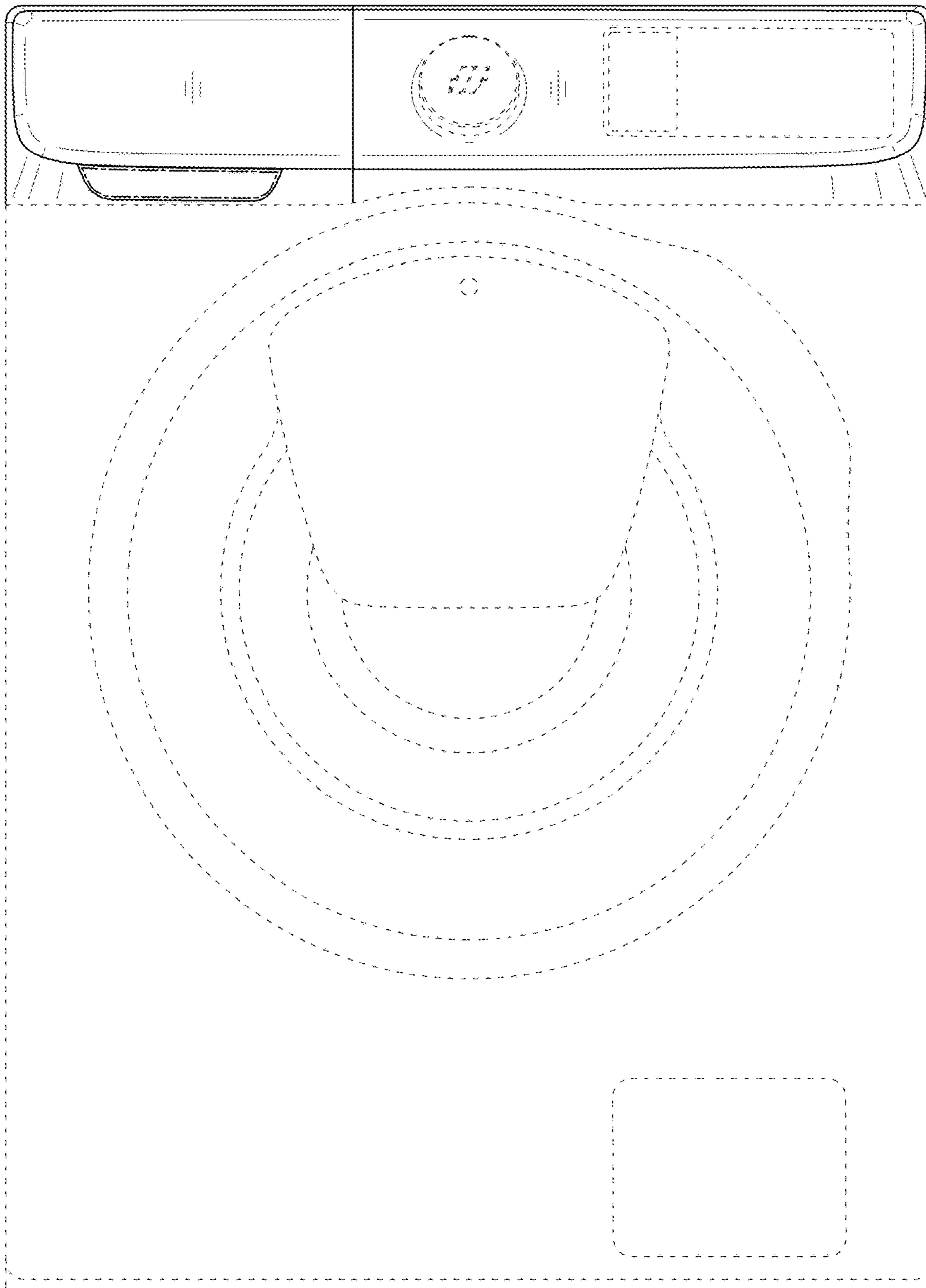


FIG. 3



FIG. 4

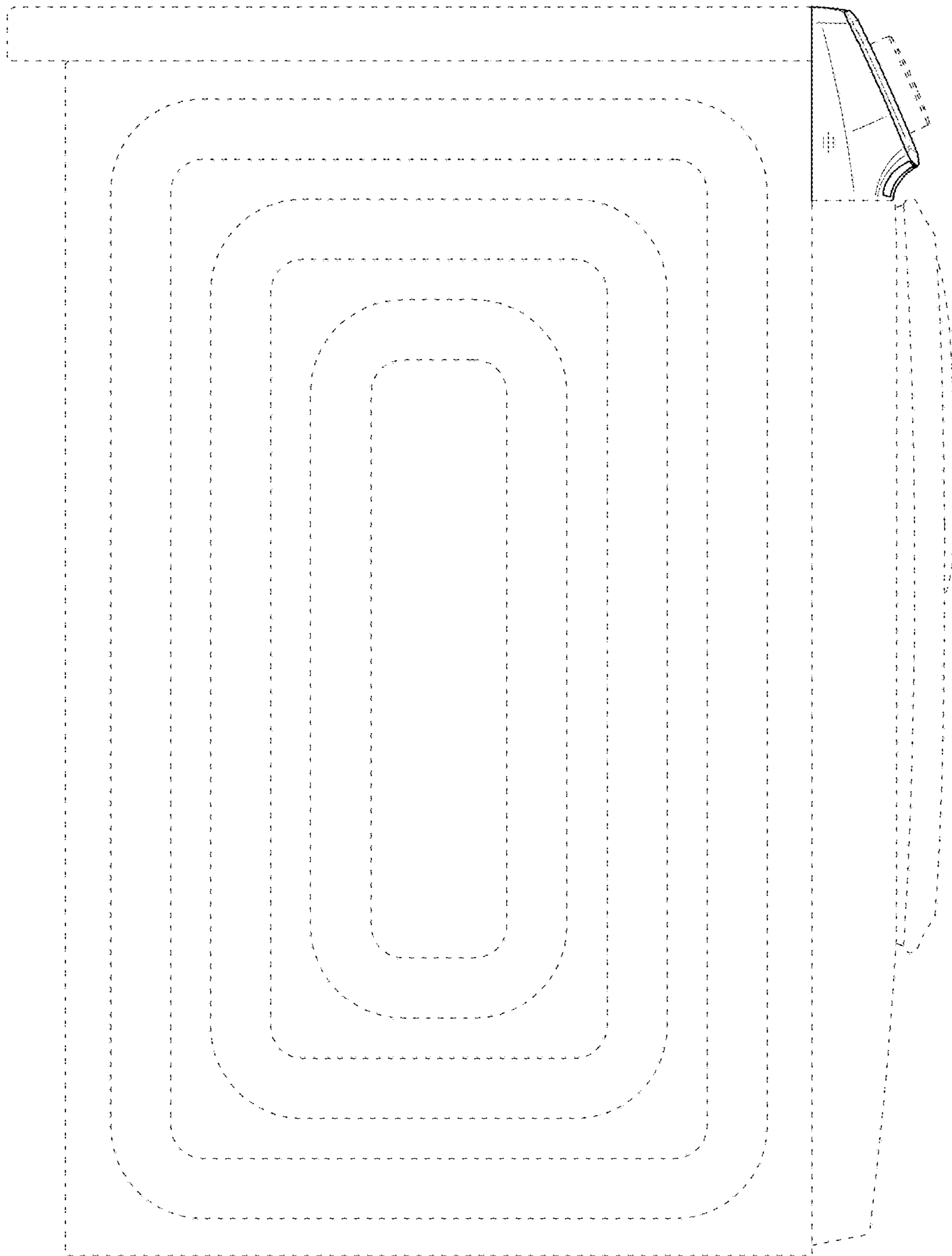


FIG. 5

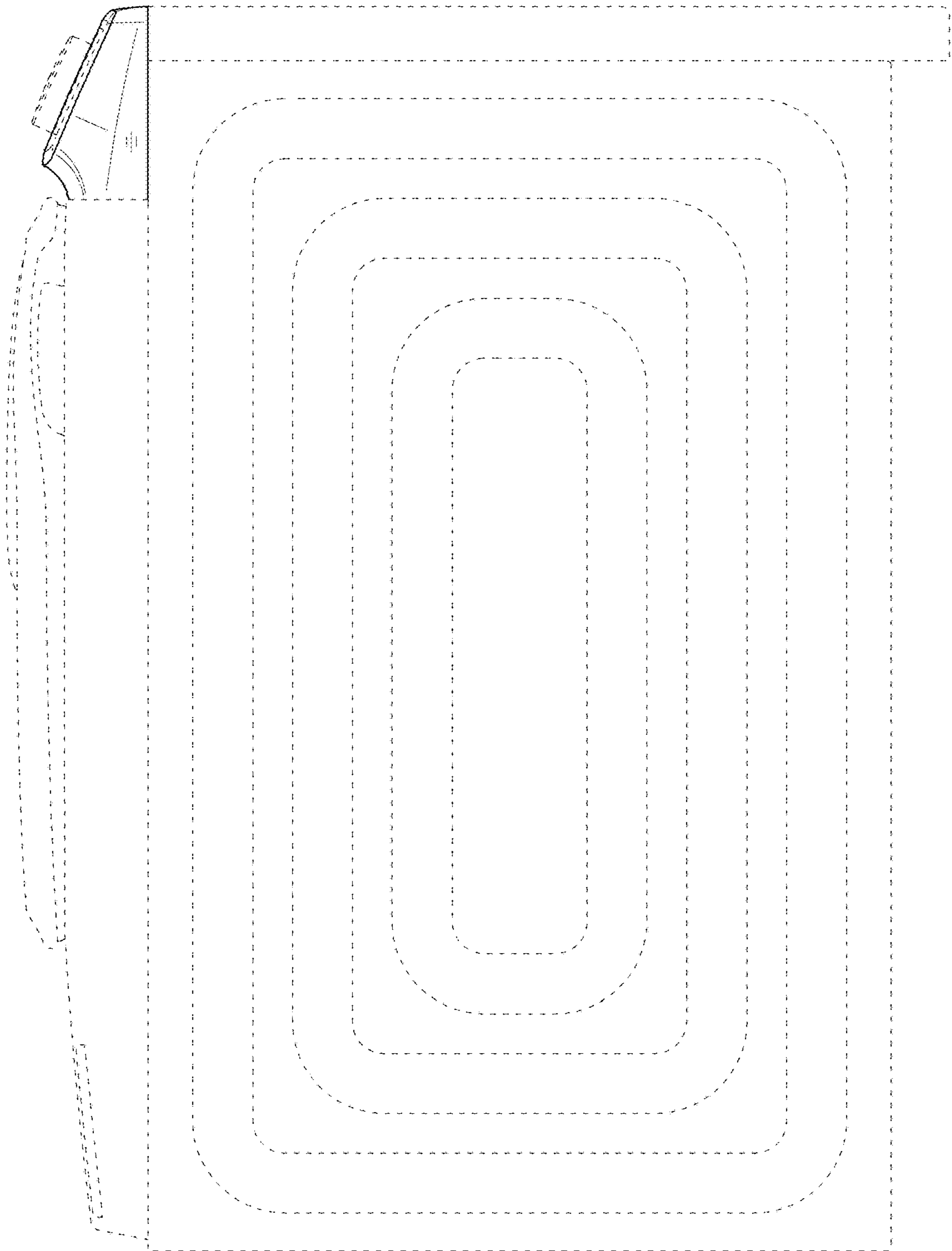


FIG. 6

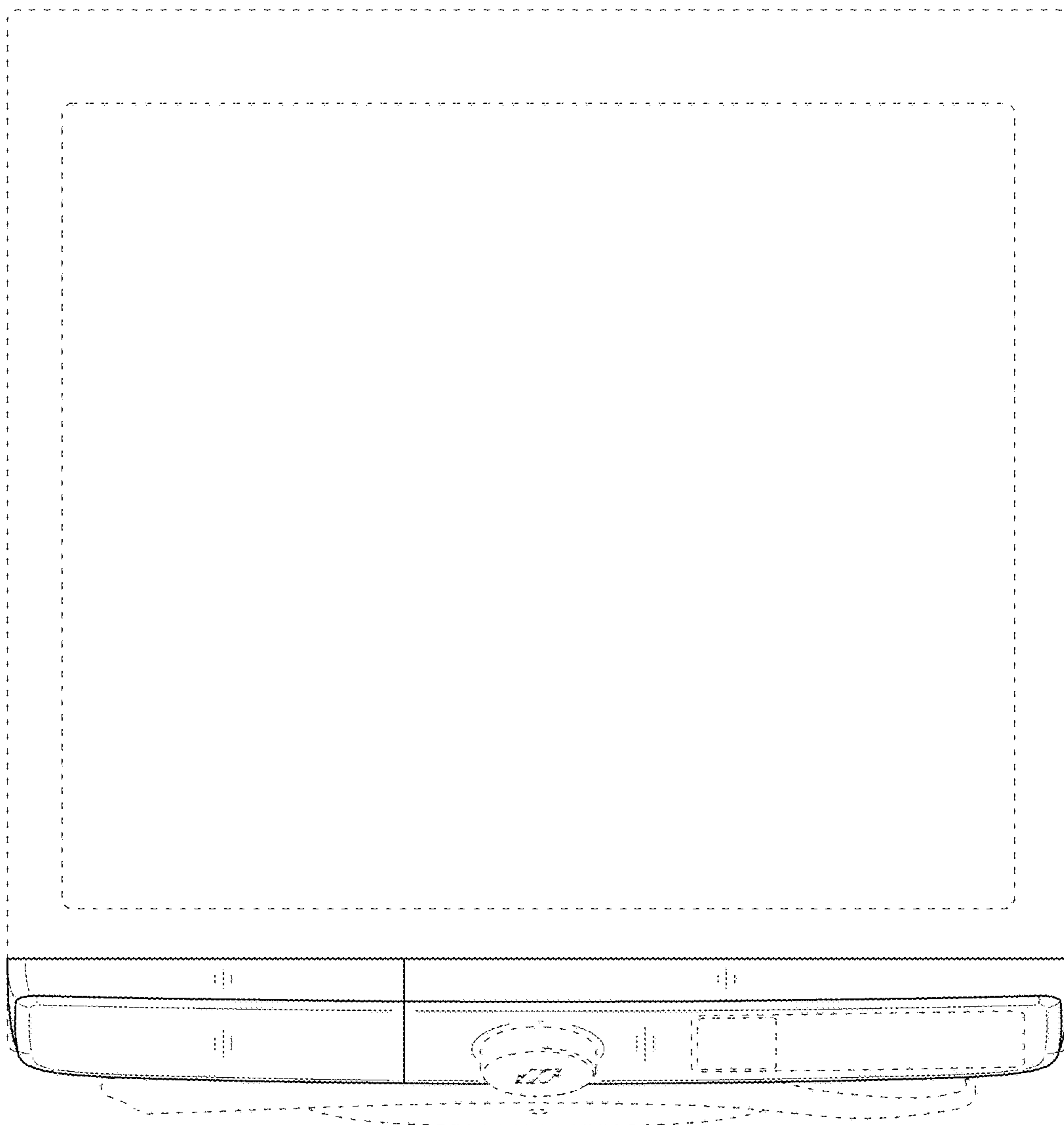


FIG. 7

