



US00D870404S

(12) **United States Design Patent** (10) **Patent No.:** **US D870,404 S**
Copp (45) **Date of Patent:** **** Dec. 17, 2019**

(54) **PRESSURE WASHER SPRAY SHIELD**

(71) Applicant: **Copp and Copp Enterprises, Inc.,**
Lake Worth, FL (US)

(72) Inventor: **Mark H. Copp,** Lake Worth, FL (US)

(73) Assignee: **Copp and Copp Enterprises, Inc.,**
Lake Worth, FL (US)

(**) Term: **15 Years**

(21) Appl. No.: **29/604,618**

(22) Filed: **May 18, 2017**

(51) **LOC (12) Cl.** **15-05**

(52) **U.S. Cl.**
USPC **D32/25**

(58) **Field of Classification Search**
USPC D32/25; D9/435, 440, 447;
D25/133-135; D23/213, 223-230
See application file for complete search history.

(56) **References Cited**

U.S. PATENT DOCUMENTS

D25,916 S *	8/1896	Woods	D23/213
1,147,933 A *	7/1915	Ford	B05B 15/16
				239/288
4,192,462 A *	3/1980	Erickson	B05B 1/28
				134/183
D257,740 S *	12/1980	Humphrey, II	D23/213
D297,298 S *	8/1988	Sarnoff	D7/391
5,211,338 A *	5/1993	Leite	B05B 15/00
				239/276
5,280,856 A *	1/1994	Haggerty	B05B 1/005
				239/288
D390,181 S *	2/1998	Morrison	D12/213
D398,704 S *	9/1998	Randle	D23/213

D418,102 S *	12/1999	Schehr	D12/213
D460,094 S *	7/2002	Mann	D15/199
D529,576 S *	10/2006	McGiveron	D23/225
D665,953 S *	8/2012	Leary	A01K 13/001
				D30/158
D676,203 S *	2/2013	Hansen	D30/121
D676,619 S *	2/2013	Hansen	D30/121
D681,886 S *	5/2013	Paschall	D30/129
D687,193 S *	7/2013	Wenstrand	D30/121
D774,626 S *	12/2016	McMurtry	D23/227
D796,412 S *	9/2017	Aker, Jr.	D12/213
D826,829 S *	8/2018	Floyd, Sr.	D12/213

* cited by examiner

Primary Examiner — Michelle E. Wilson

(74) *Attorney, Agent, or Firm* — McHale & Slavin, P.A.

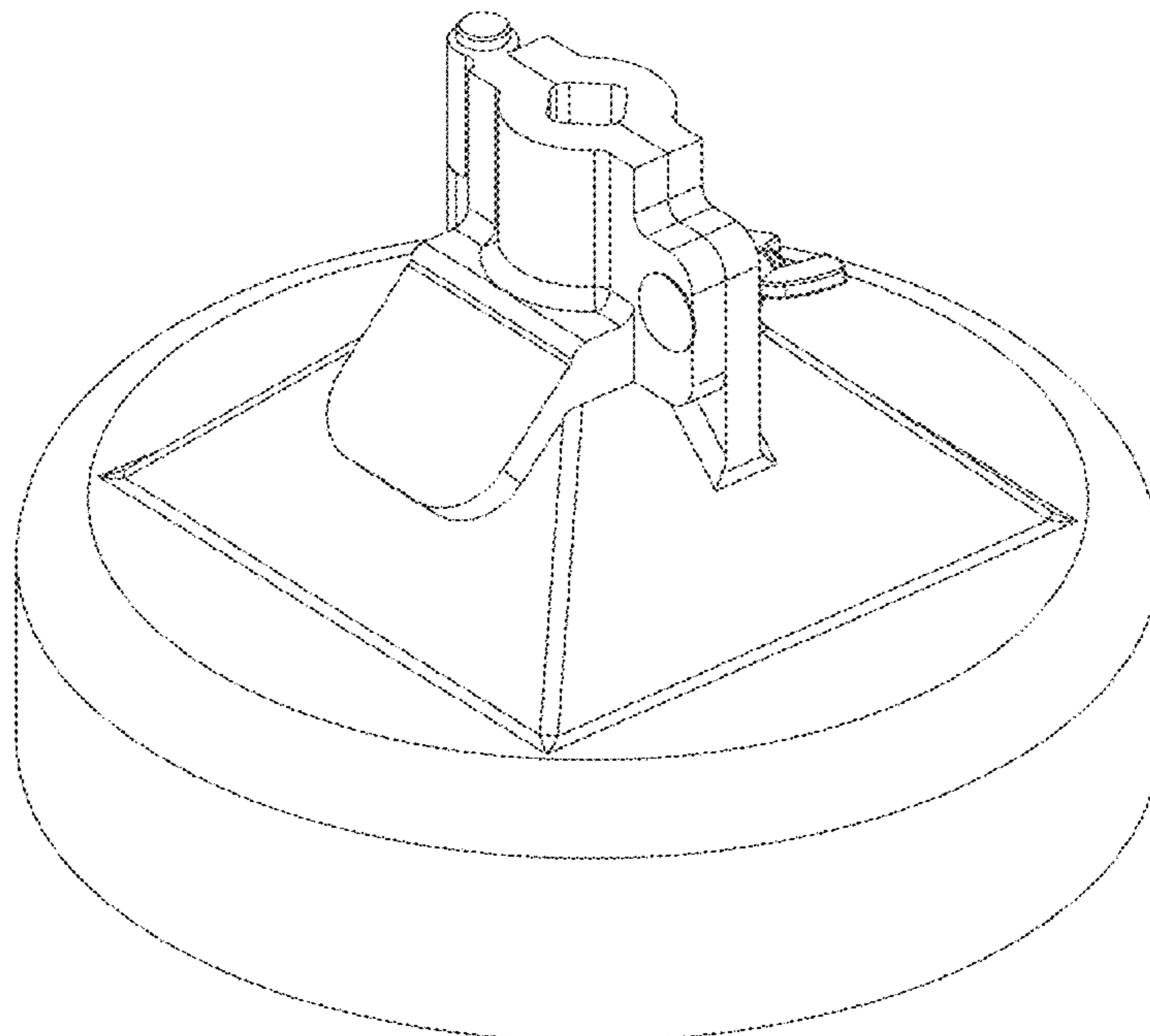
(57) **CLAIM**

The ornamental design for a pressure washer spray shield, as shown and described.

DESCRIPTION

FIG. 1 is a perspective view of the pressure washer spray shield of the instant invention with an end of a pressure washer attached thereto;
 FIG. 2 is a front side view thereof;
 FIG. 3 is a right side view thereof;
 FIG. 4 is a back side view thereof;
 FIG. 5 is a left side view thereof;
 FIG. 6 is a top view thereof with a coupling door in a closed position;
 FIG. 7 is a bottom view thereof;
 FIG. 8 is a top view thereof with the coupling door in an open position; and,
 FIG. 9 is a perspective view illustrating the bottom of the pressure washer spray shield.

1 Claim, 6 Drawing Sheets



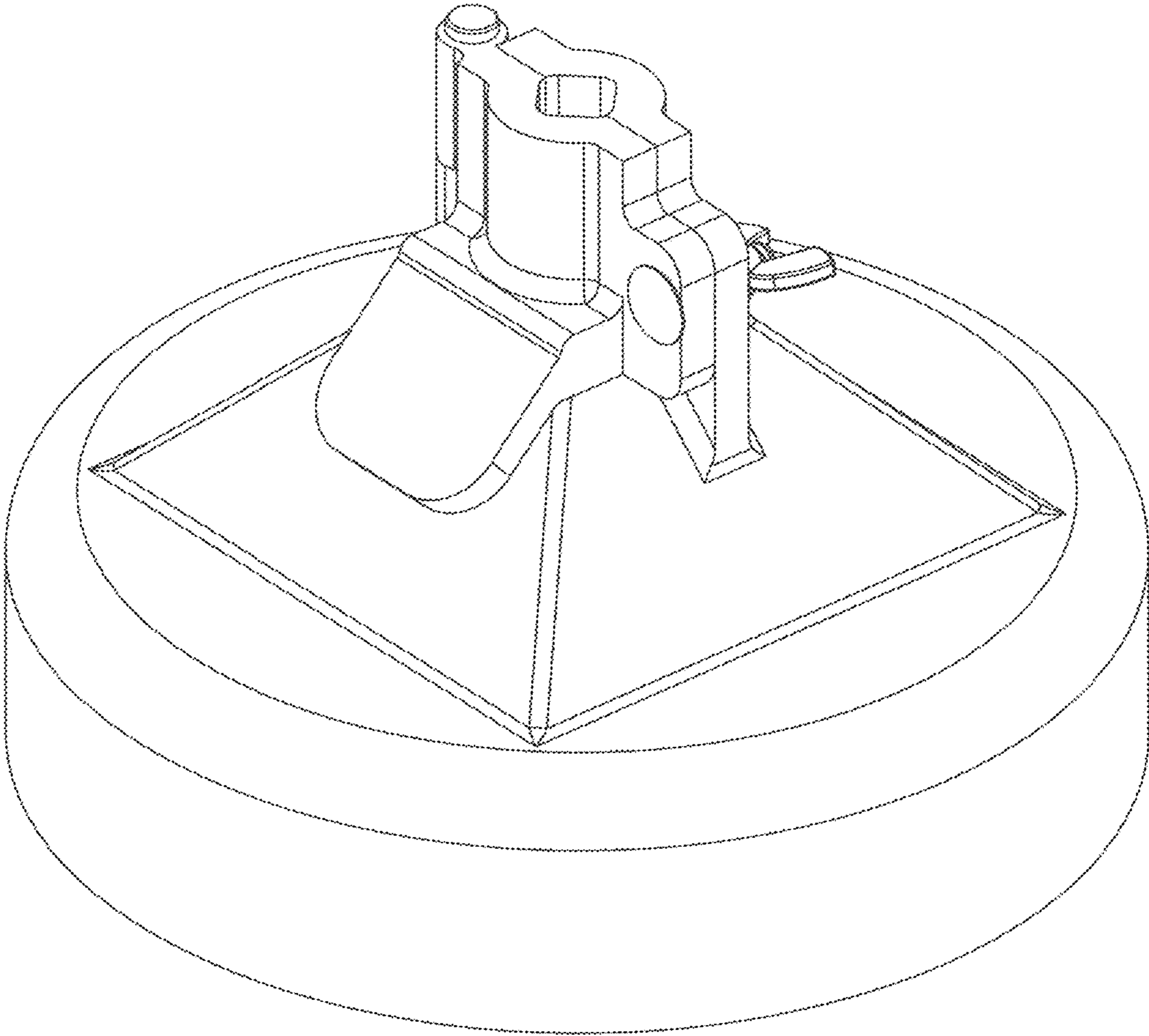


Fig 1

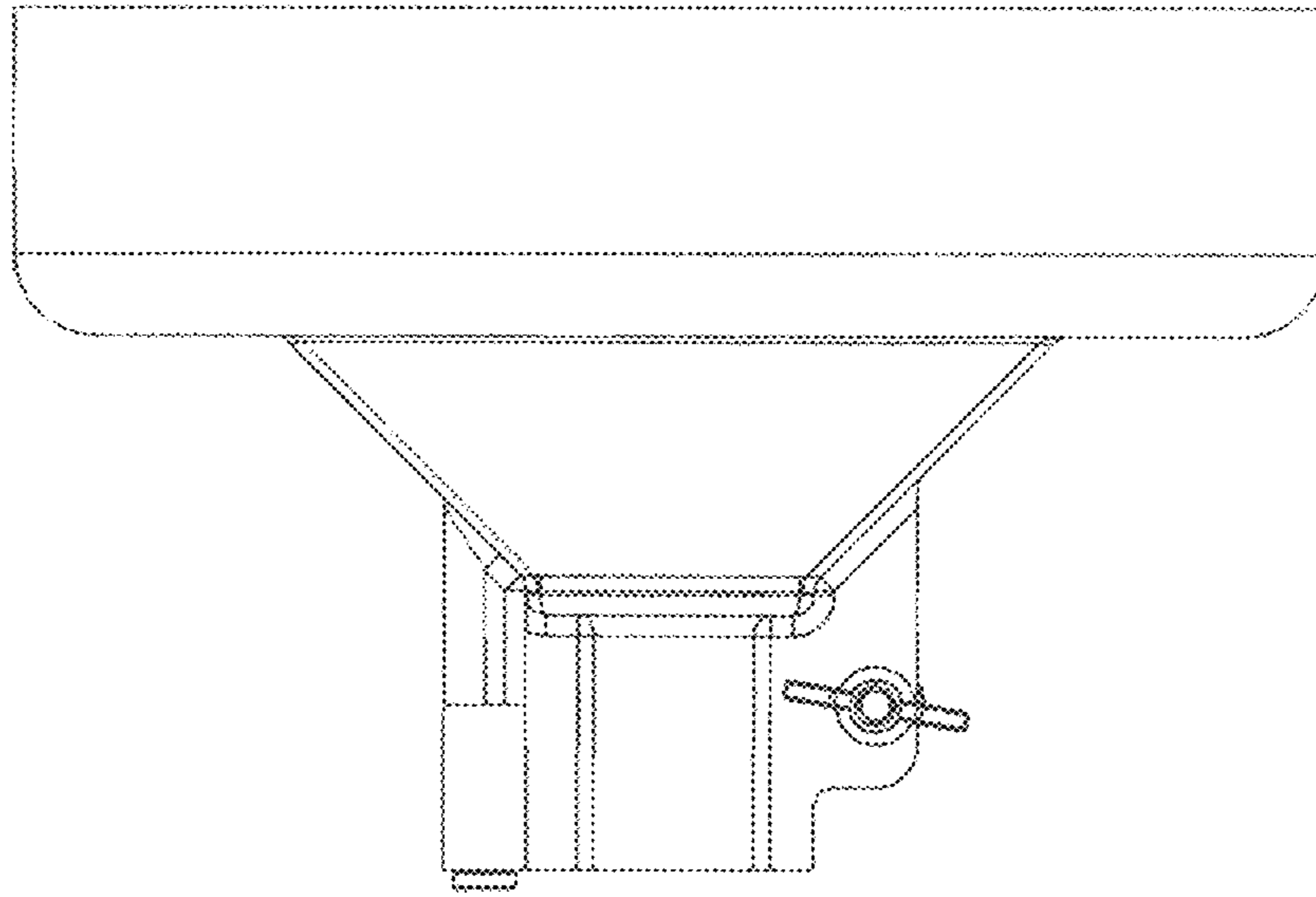


Fig. 2

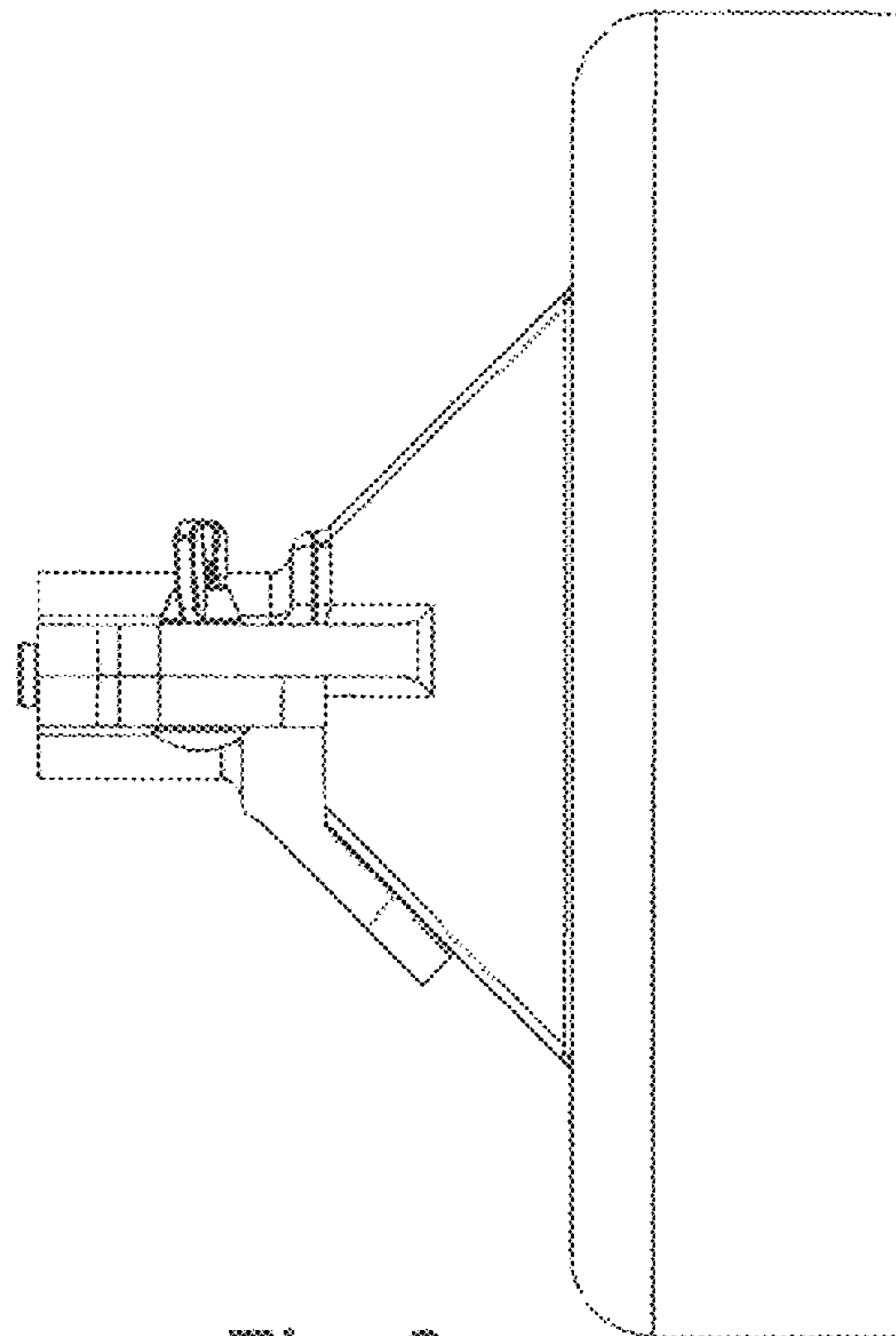


Fig. 3

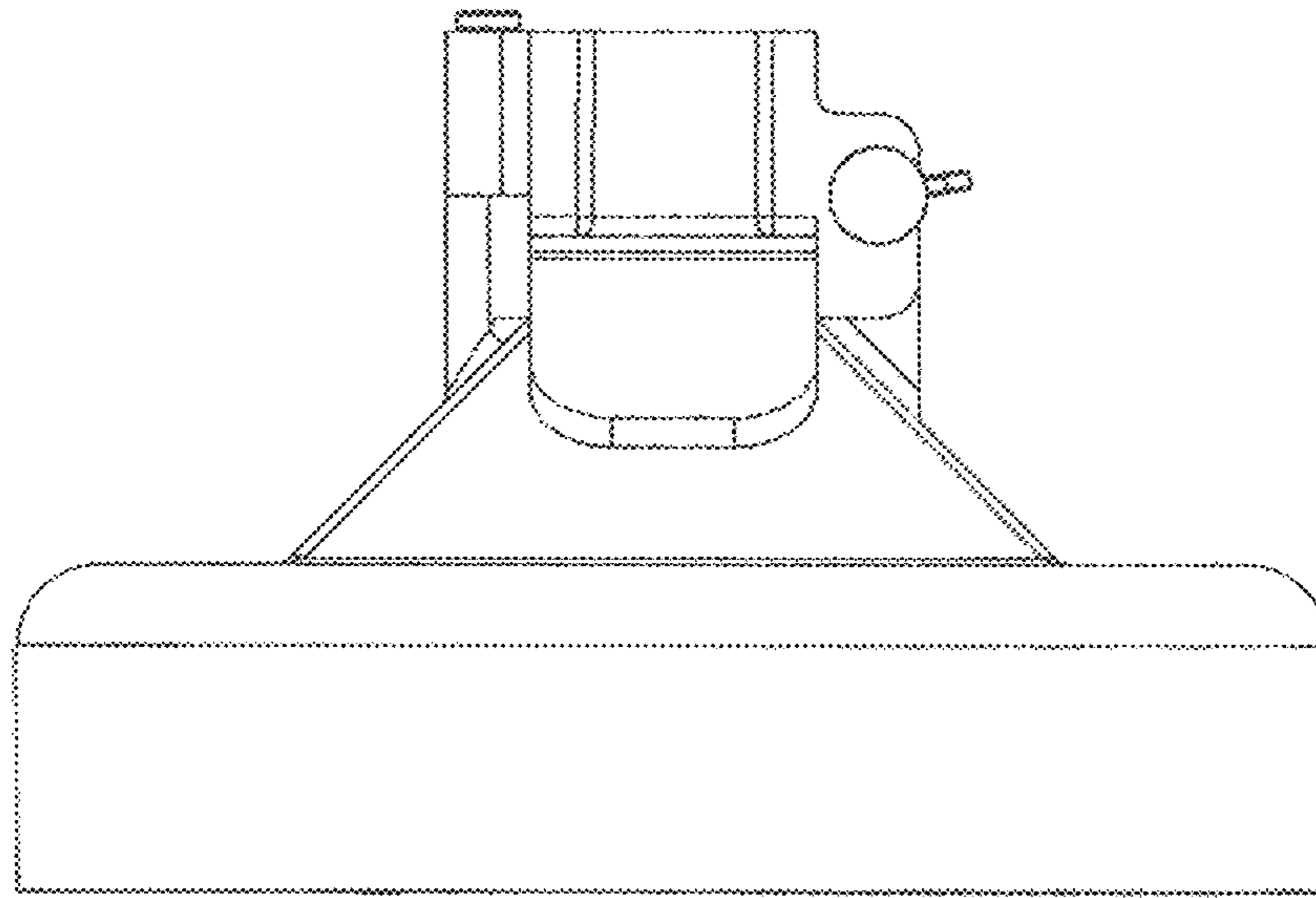


Fig. 4

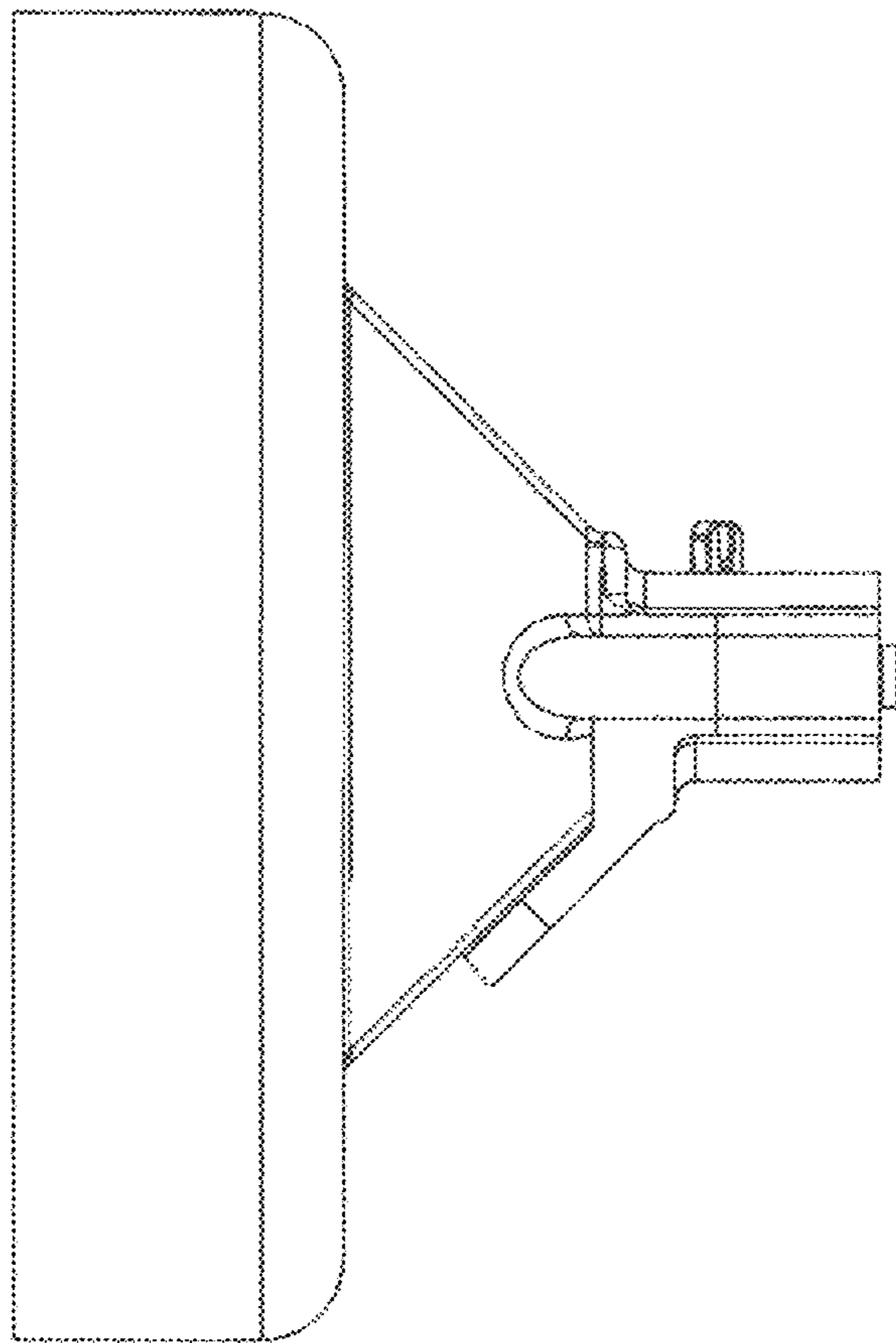


Fig. 5

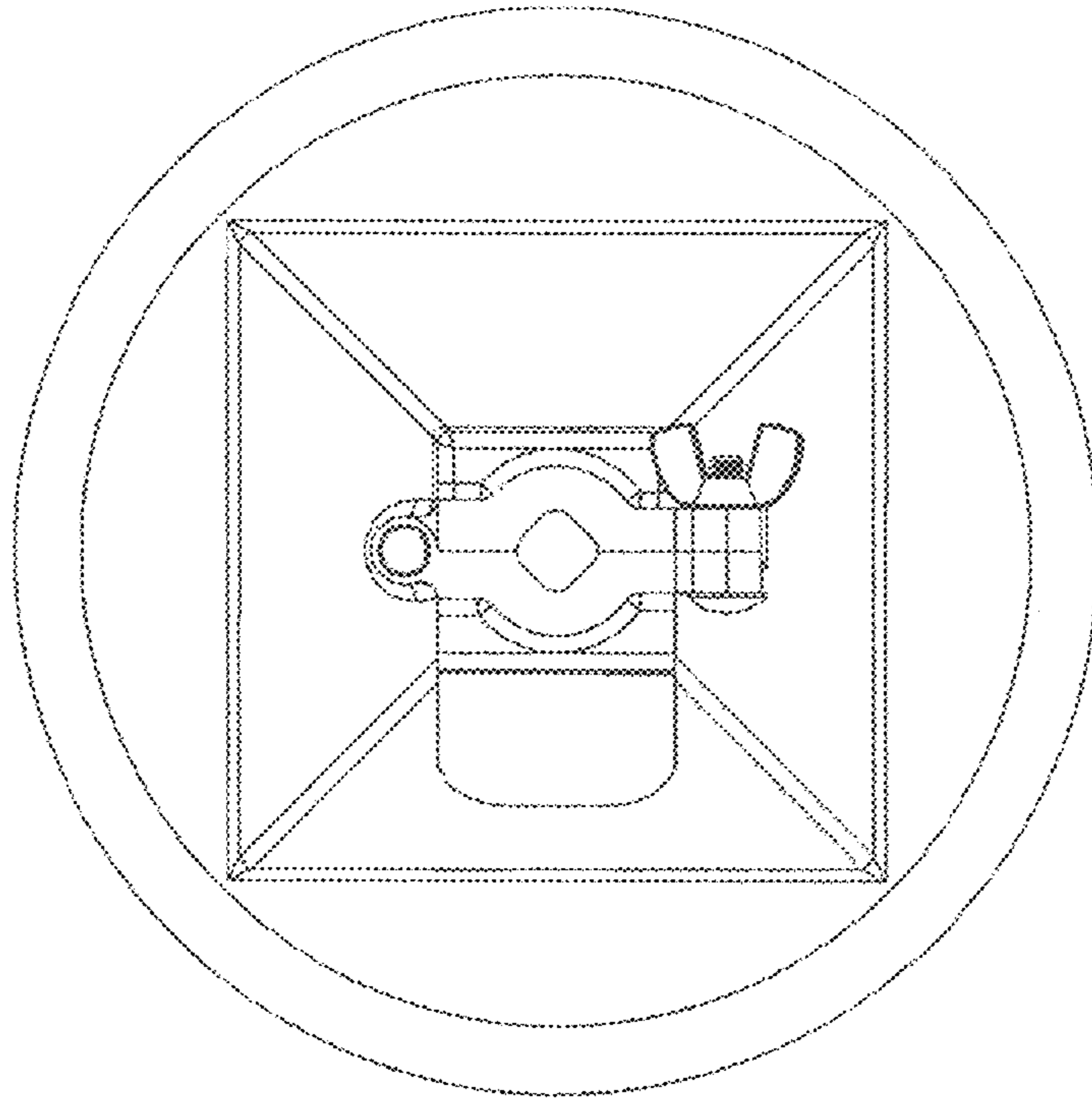


Fig 6

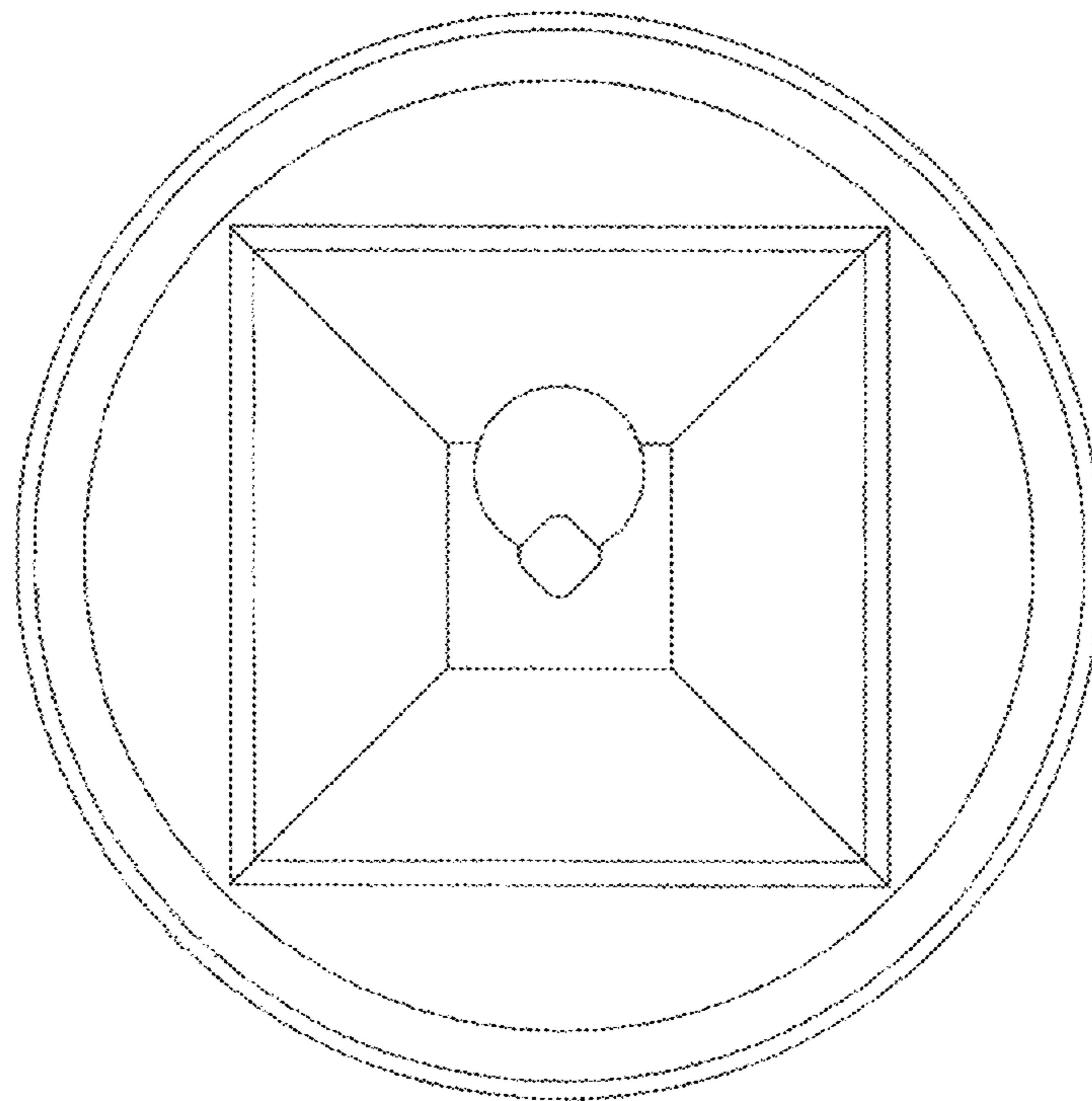


Fig 7

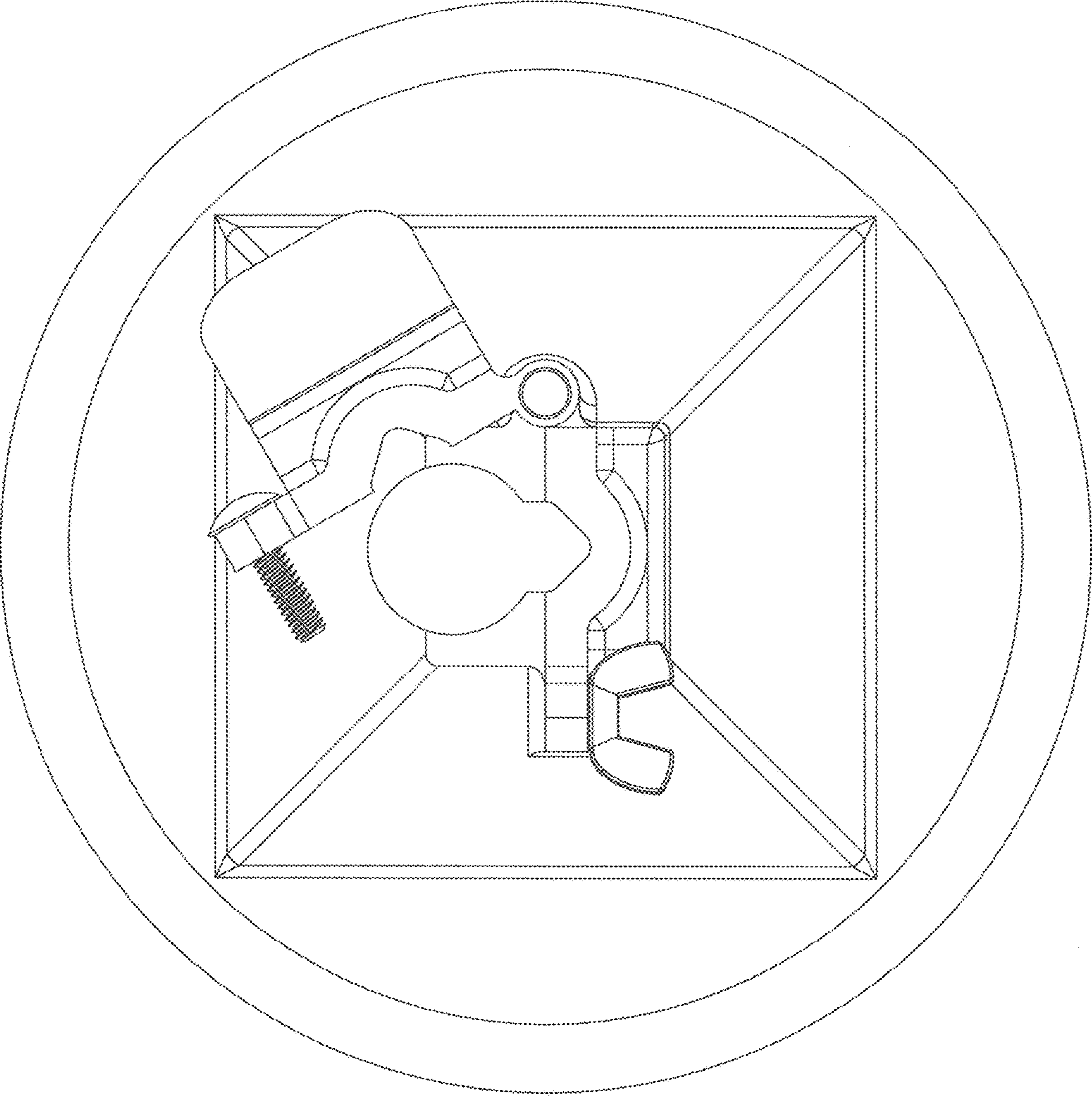


Fig 8

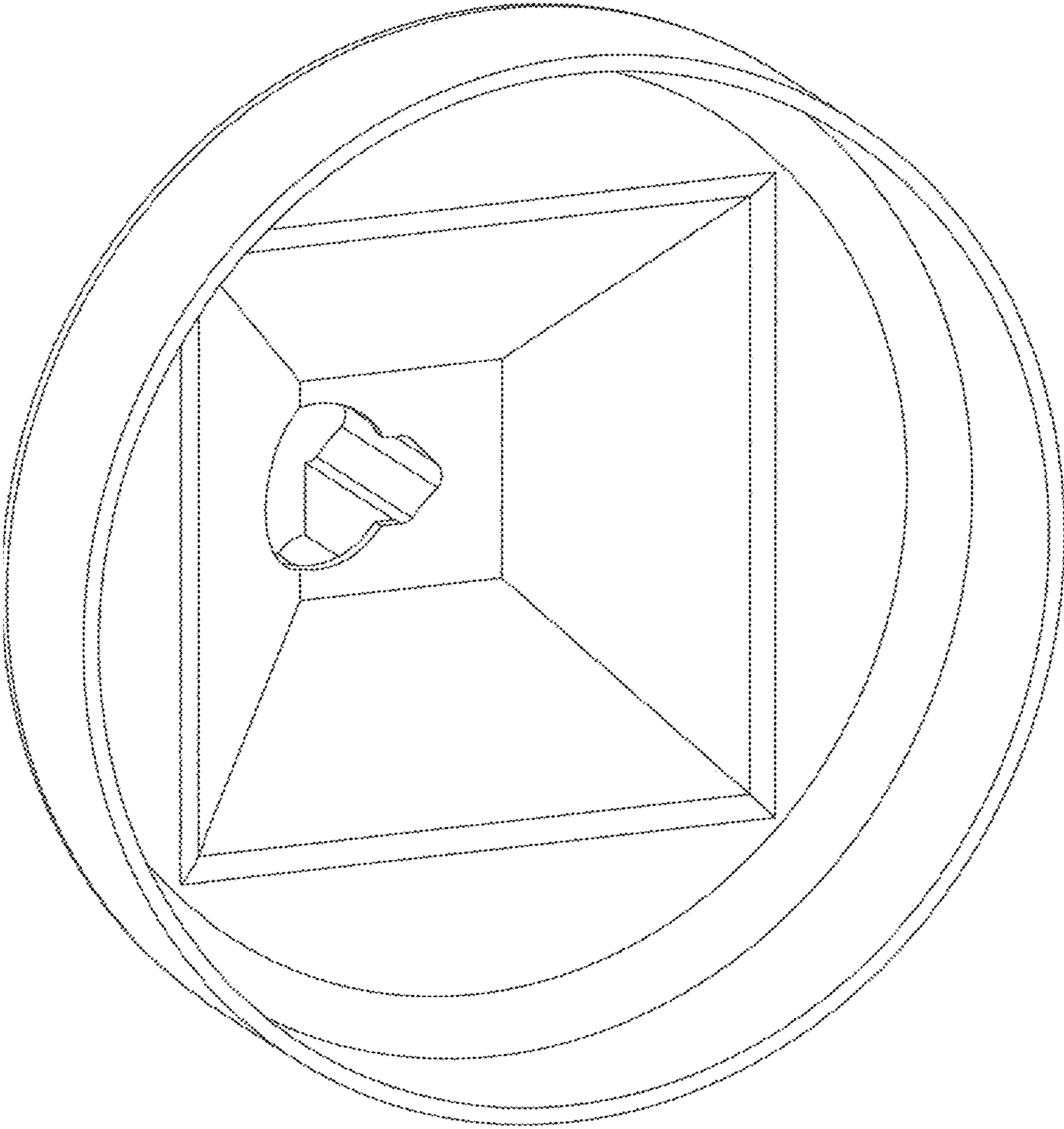


Fig 9