



US00D870403S

(12) **United States Design Patent** (10) **Patent No.:** **US D870,403 S**
Ebrahimi Afrouzi et al. (45) **Date of Patent:** **** Dec. 17, 2019**

(54) **ROBOTIC VACUUM**

(56) **References Cited**

(71) Applicants: **Ali Ebrahimi Afrouzi**, San Jose, CA (US); **Shahin Fathi Djalali**, San Leandro, CA (US); **Azadeh Afshar Bakooshli**, Las Vegas, NV (US)

U.S. PATENT DOCUMENTS

D548,902	S	*	8/2007	Chun	D32/21
D556,961	S	*	12/2007	Swyst	D15/199
D661,440	S	*	6/2012	Lee	D32/21
D665,547	S	*	8/2012	Nam	D32/21
D669,235	S	*	10/2012	Bassett	D32/21
D670,877	S	*	11/2012	Geringer	D32/21
8,505,158	B2	*	8/2013	Han	A47L 7/02 15/347
D690,478	S	*	9/2013	Li	D32/21
D703,397	S	*	4/2014	Sungkyung	D32/21
D714,002	S	*	9/2014	Casini	D32/21
D714,003	S	*	9/2014	Casini	D32/21
D715,504	S	*	10/2014	Deoksang	D32/21
D743,645	S	*	11/2015	Lee	D32/21
D771,884	S	*	11/2016	Ninomiya	D32/21
D775,439	S	*	12/2016	Vanderstegen-Drake	D32/21
9,833,116	B2	*	12/2017	Huang	A47L 9/2857

(72) Inventors: **Ali Ebrahimi Afrouzi**, San Jose, CA (US); **Shahin Fathi Djalali**, San Leandro, CA (US); **Azadeh Afshar Bakooshli**, Las Vegas, NV (US)

(73) Assignee: **AI Incorporated**, Toronto (CA)

(**) Term: **15 Years**

(21) Appl. No.: **29/682,828**

(22) Filed: **Mar. 8, 2019**

* cited by examiner

Primary Examiner — Ruth McInroy

Related U.S. Application Data

(63) Continuation of application No. 29/595,875, filed on Mar. 2, 2017, now abandoned.

(51) **LOC (12) Cl.** **15-05**

(52) **U.S. Cl.**
USPC **D32/21**

(58) **Field of Classification Search**
USPC D32/21–24, 31, 34, 17–18
CPC A47L 5/24; A47L 5/22; A47L 5/28; A47L 5/225; A47L 5/362; A47L 5/365; A47L 9/2842; A47L 9/24; A47L 9/248

See application file for complete search history.

(57) **CLAIM**

The ornamental design for a robotic vacuum, as shown and described.

DESCRIPTION

FIG. 1 is a front elevation view of a robotic vacuum showing our new design;

FIG. 2 is a left side elevation view thereof;

FIG. 3 is a rear elevation view thereof;

FIG. 4 is a top plan view thereof; and,

FIG. 5 is a top perspective view thereof.

1 Claim, 5 Drawing Sheets

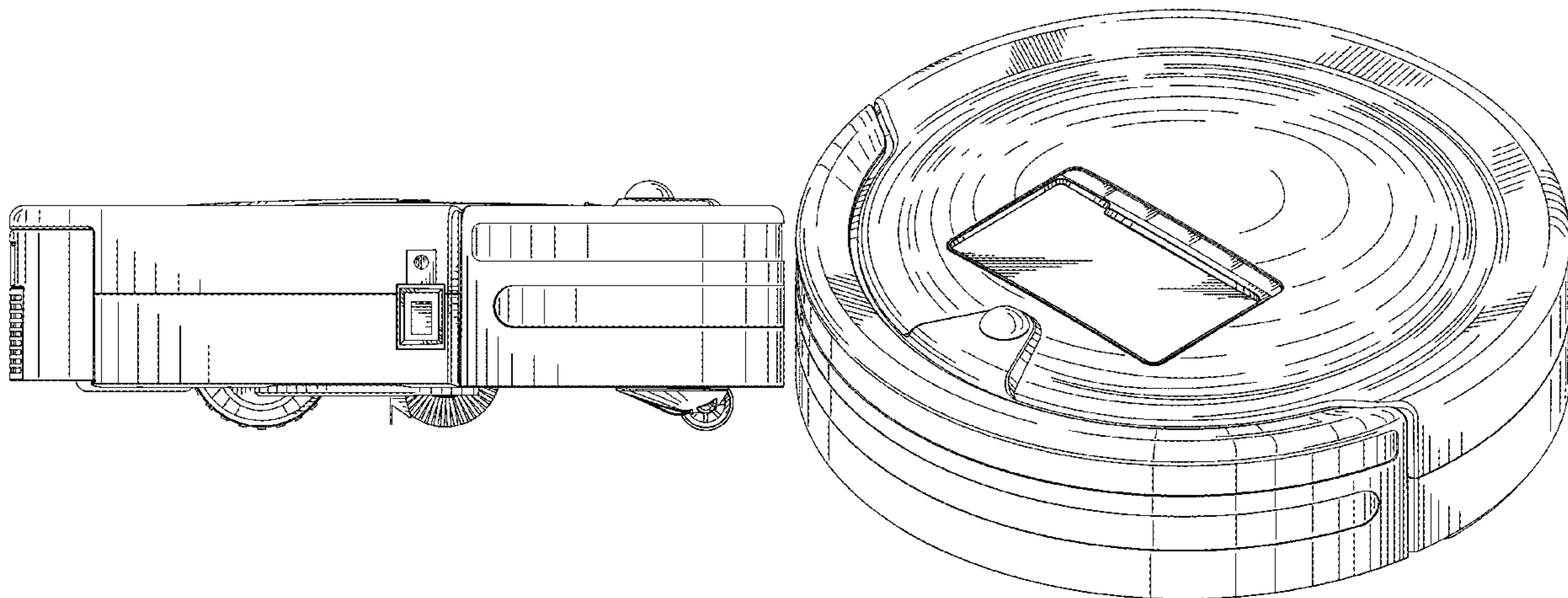


FIG. 1

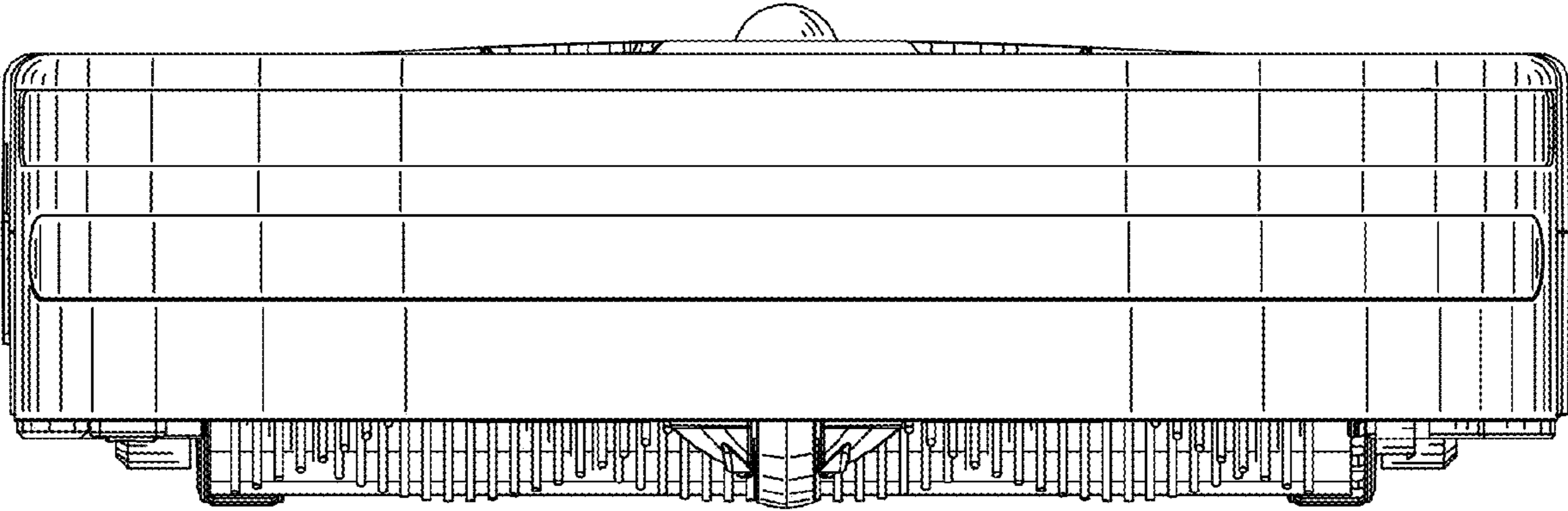


FIG. 2

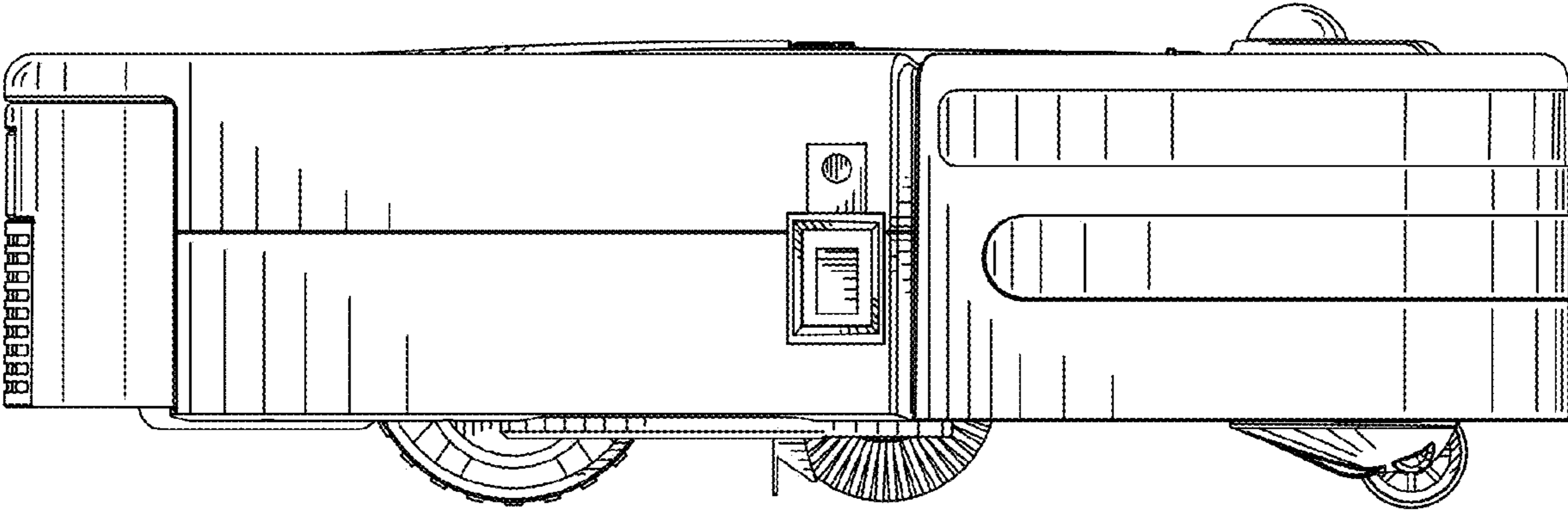


FIG. 3

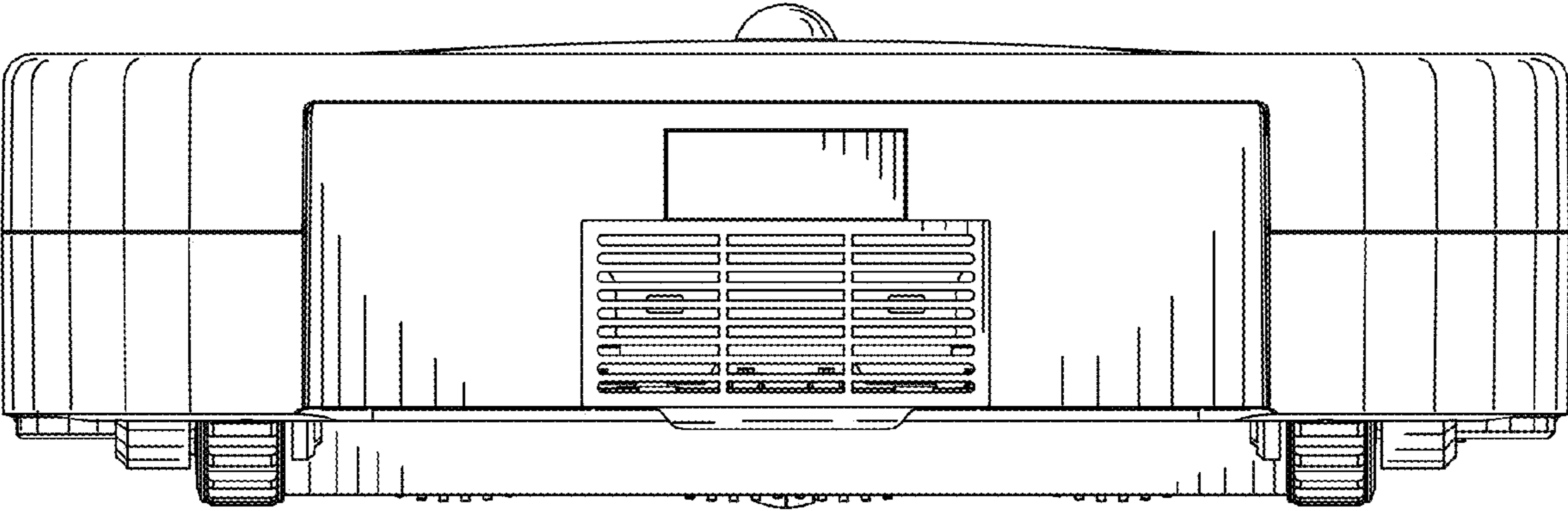


FIG. 4

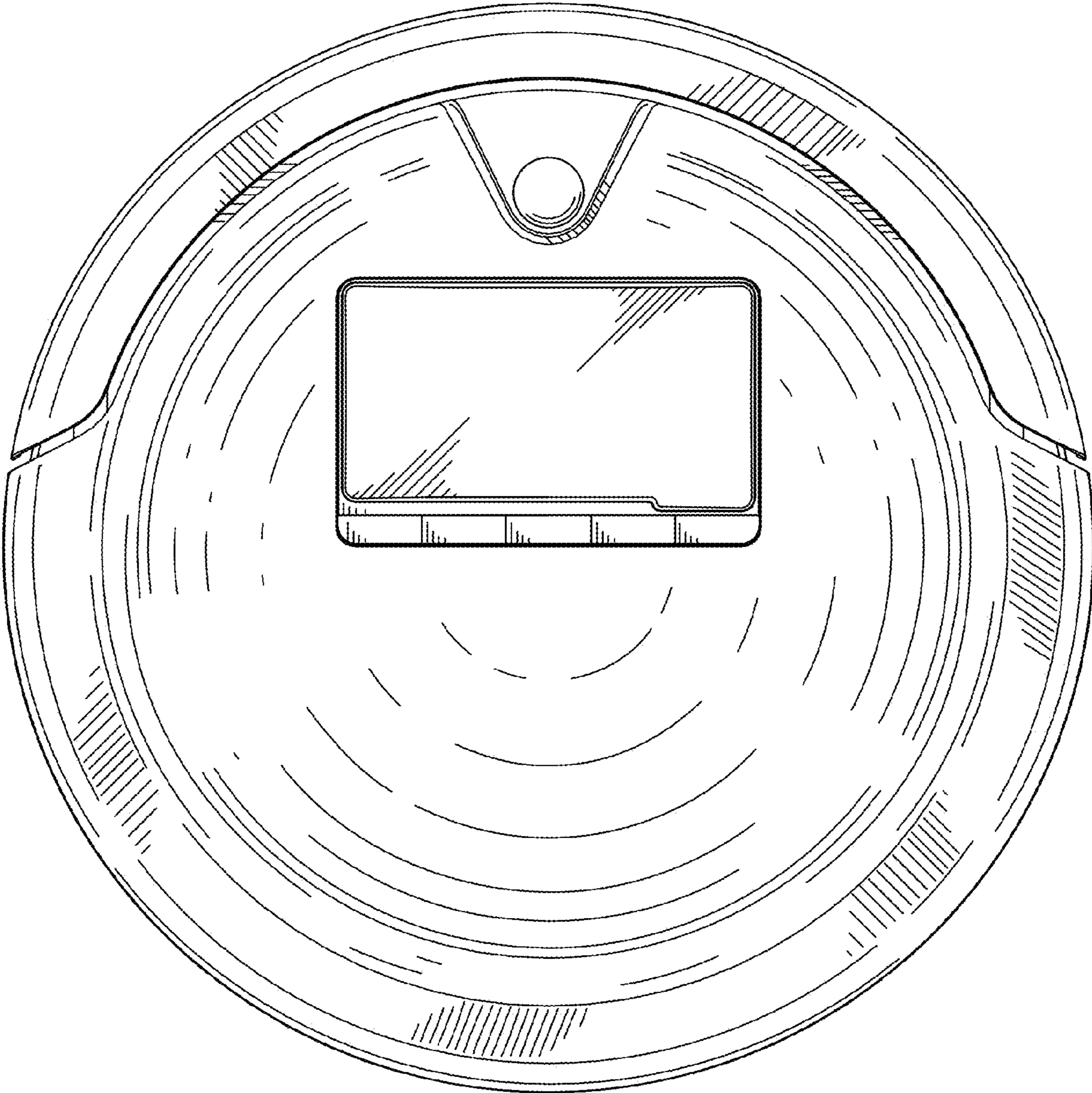


FIG. 5

