



US00D870401S

(12) **United States Design Patent** (10) **Patent No.:** **US D870,401 S**
Supron et al. (45) **Date of Patent:** **** Dec. 17, 2019**

(54) **ROBOT BODY**
(71) Applicant: **Maidbot, Inc.**, Austin, TX (US)
(72) Inventors: **Steven A. Supron**, Ithaca, NY (US);
David Moroniti, Austin, TX (US);
Steven Whitehead, Austin, TX (US);
Micah Estis Green, Austin, TX (US)
(73) Assignee: **Maidbot, Inc.**, Austin, TX (US)
(**) Term: **15 Years**

D691,337 S * 10/2013 Kim D32/21
D704,400 S * 5/2014 Shin D32/21
D718,793 S * 12/2014 Gur D15/14
D720,511 S * 12/2014 Shin D32/21
D743,647 S * 11/2015 Heck D32/21
D758,455 S * 6/2016 Maibach D15/14
D760,806 S * 7/2016 Cmich D15/14
D781,926 S * 3/2017 Al-Hashimi D15/14
D796,555 S * 9/2017 Landberg D15/14
D810,799 S * 2/2018 Sokuza D15/199
D828,660 S * 9/2018 Jang D32/21
D832,372 S * 10/2018 Huang D21/578
D853,447 S * 7/2019 Mehra D15/14
D853,448 S * 7/2019 Mehra D15/14

(Continued)

(21) Appl. No.: **29/645,684**

(22) Filed: **Apr. 27, 2018**

(51) **LOC (12) Cl.** **15-05**

(52) **U.S. Cl.**
USPC **D32/21**; D15/199

(58) **Field of Classification Search**
USPC D15/199; D32/18, 21-24, 31
CPC . A47L 9/16; A47L 9/20; A47L 9/1683; A47L
9/1666; A47L 9/1608; A47L 9/2857;
A47L 9/2842; A47L 9/2836; A47L
9/2847; A47L 9/2852; A47L 5/28; A47L
7/0038; E04H 4/1654; G06N 3/008
See application file for complete search history.

(56) **References Cited**

U.S. PATENT DOCUMENTS

D504,901 S * 5/2005 Wickstrom D15/14
D524,495 S * 7/2006 Ljunggren D32/21
D527,854 S * 9/2006 Marzynski D15/199
D548,411 S * 8/2007 Schroter D32/21
D555,305 S * 11/2007 Chun D32/21
D600,254 S * 9/2009 Lindars D15/14
D602,215 S * 10/2009 Ljunggren D32/21
D656,163 S * 3/2012 Johansson D15/14
D679,294 S * 4/2013 Tajik D15/14
D679,295 S * 4/2013 Tajik D15/14
D681,065 S * 4/2013 Maeda D15/14
D688,276 S * 8/2013 Naslund D15/14

OTHER PUBLICATIONS

“Robot Maid for Cleaner Floors,” Mashable Daily, Published Mar. 22, 2017, May be Viewed at<URL:https://www.youtube.com/watch?v=gyktHss8qmU>.

(Continued)

Primary Examiner — Patricia A Palasik
(74) *Attorney, Agent, or Firm* — Fenwick & West LLP

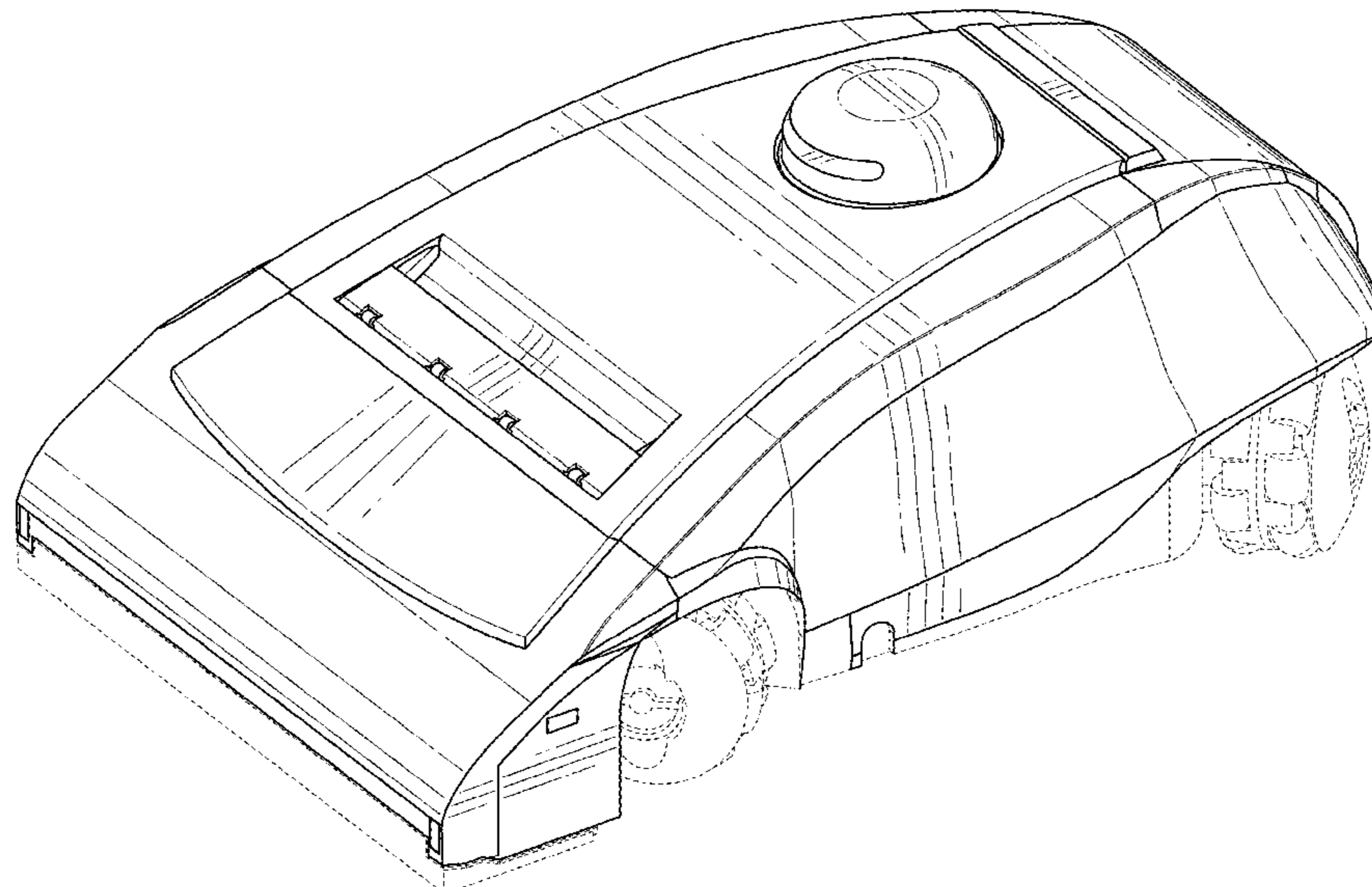
(57) **CLAIM**

The ornamental design for a robot body, as shown and described.

DESCRIPTION

FIG. 1 is a front, top, and right side perspective view of a robot body;
FIG. 2 is a rear, bottom, and left side view thereof;
FIG. 3 is a front elevational view thereof;
FIG. 4 is a rear elevational view thereof;
FIG. 5 is a right side elevational view thereof;
FIG. 6 is a left side elevational view thereof;
FIG. 7 is a top plan view thereof; and,
FIG. 8 is a bottom plan view thereof.

1 Claim, 8 Drawing Sheets



(56)

References Cited

U.S. PATENT DOCUMENTS

2015/0166060 A1* 6/2015 Smith B60W 30/09
701/23
2017/0154431 A1* 6/2017 Kim G06K 9/00664
2017/0336796 A1* 11/2017 Jun A47L 5/22
2018/0103812 A1* 4/2018 Lee A47L 9/0653

OTHER PUBLICATIONS

Japan Patent Office, Preliminary Notice of Reason for Refusal, JP Patent Application No. 2018-023504, dated Aug. 2, 2019, four pages.

* cited by examiner

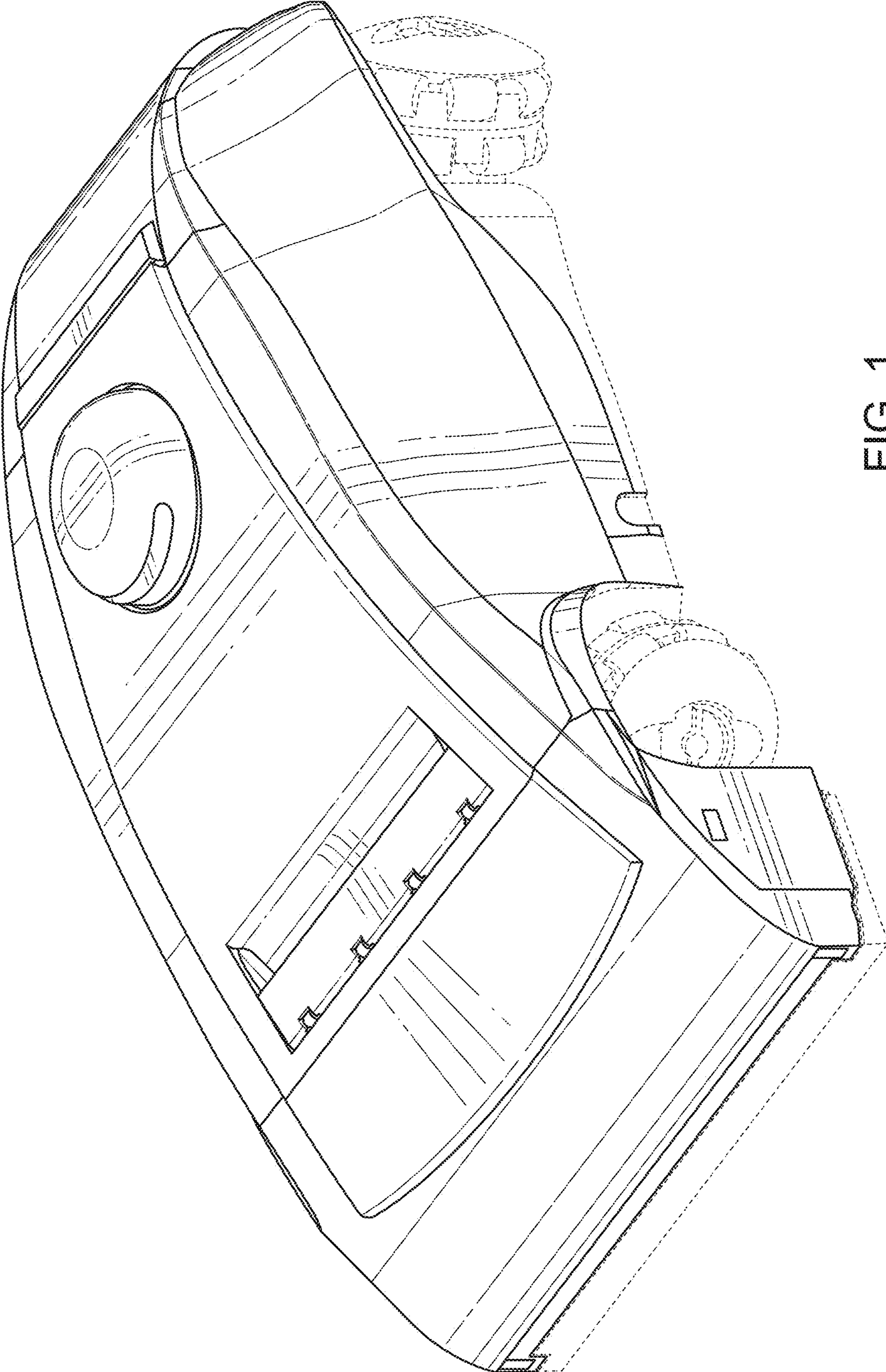


FIG. 1

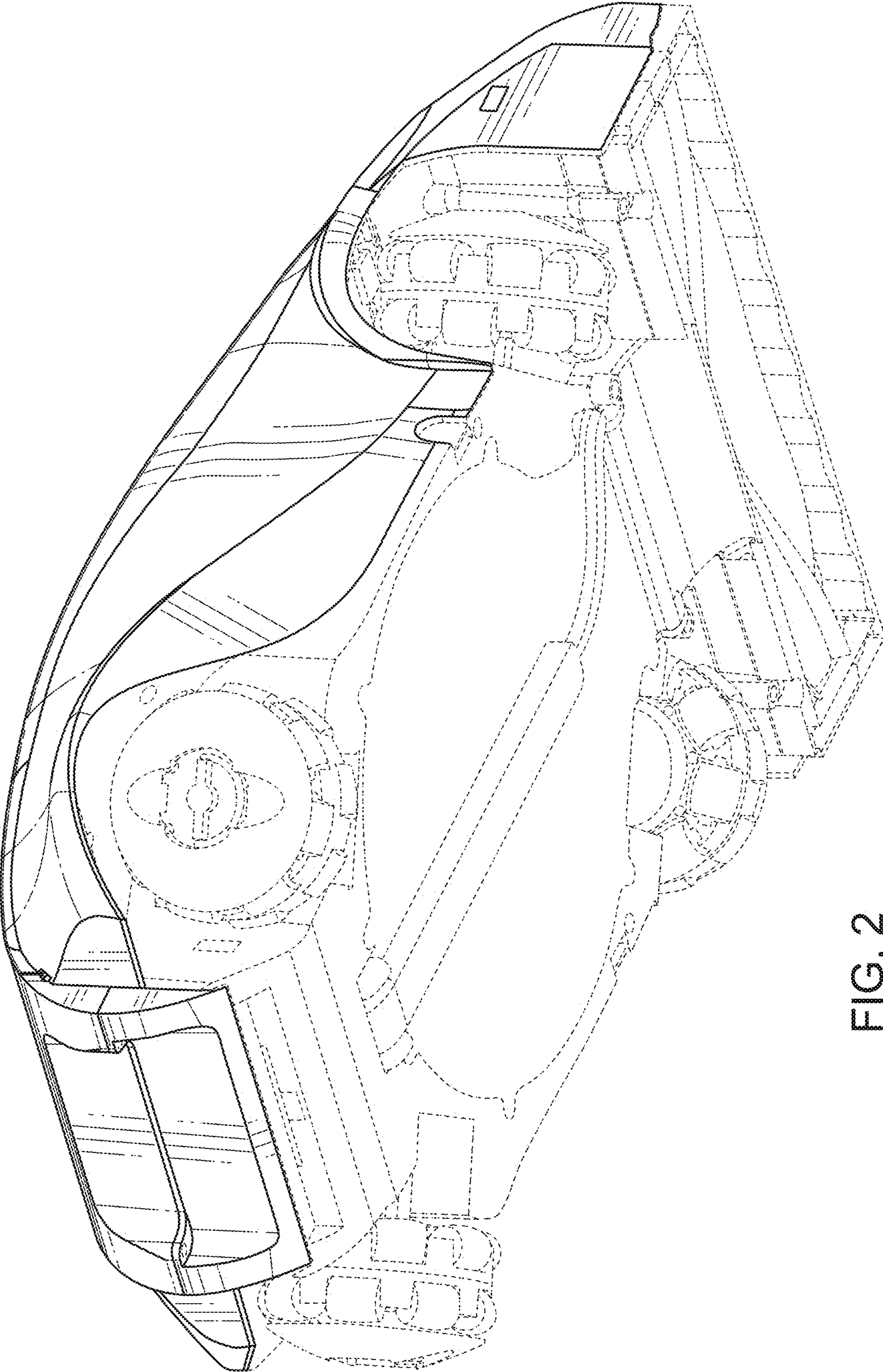


FIG. 2

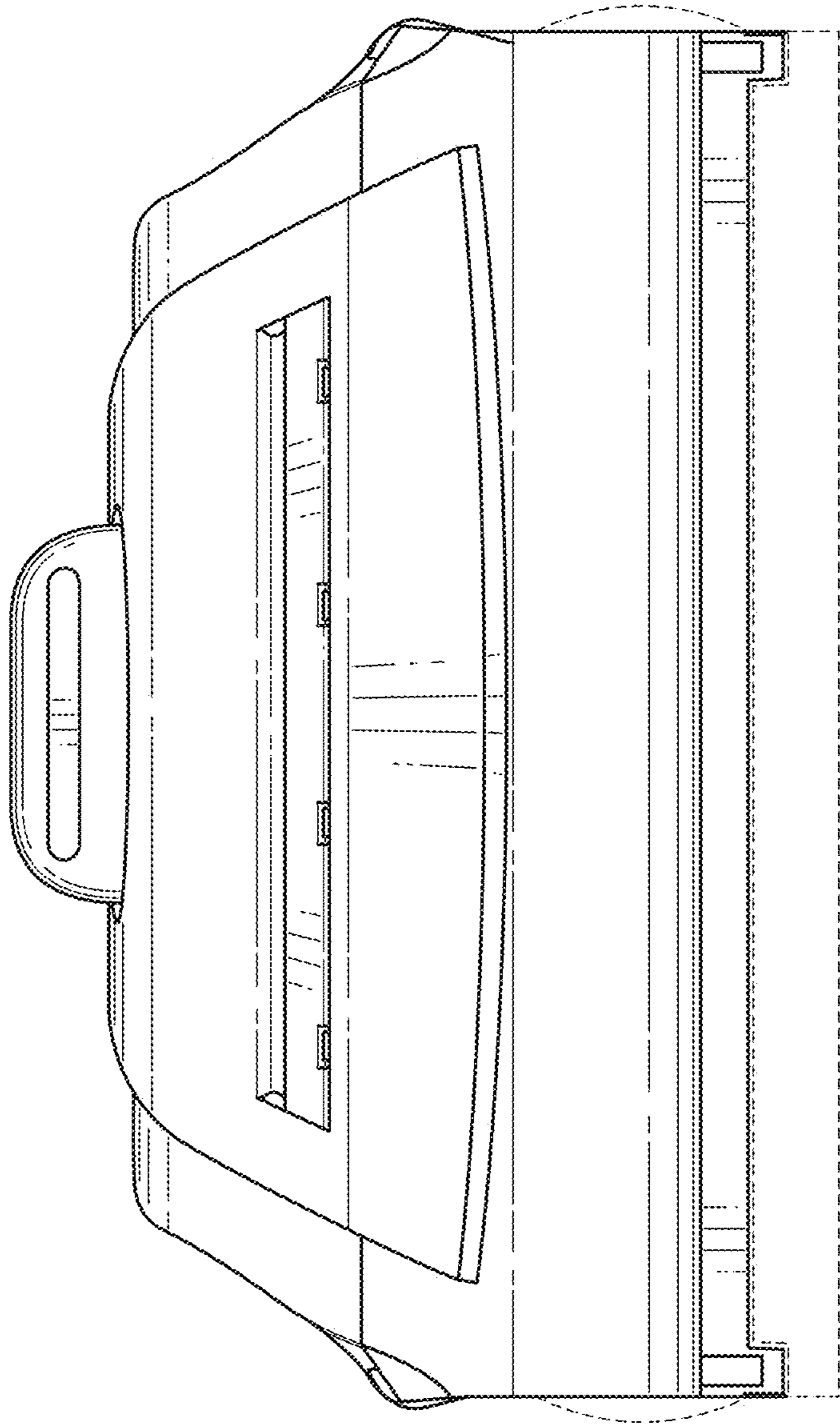


FIG. 3

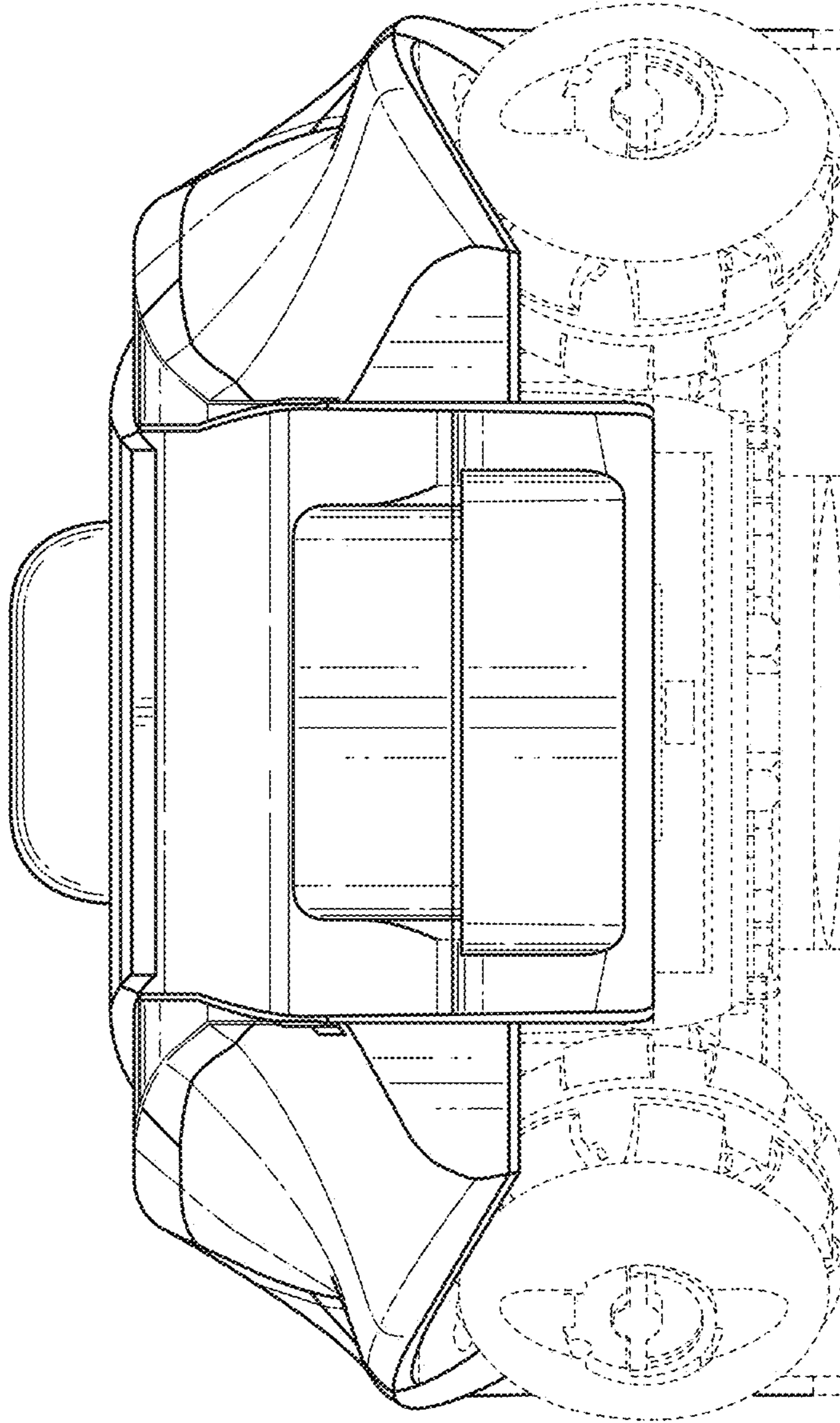


FIG. 4

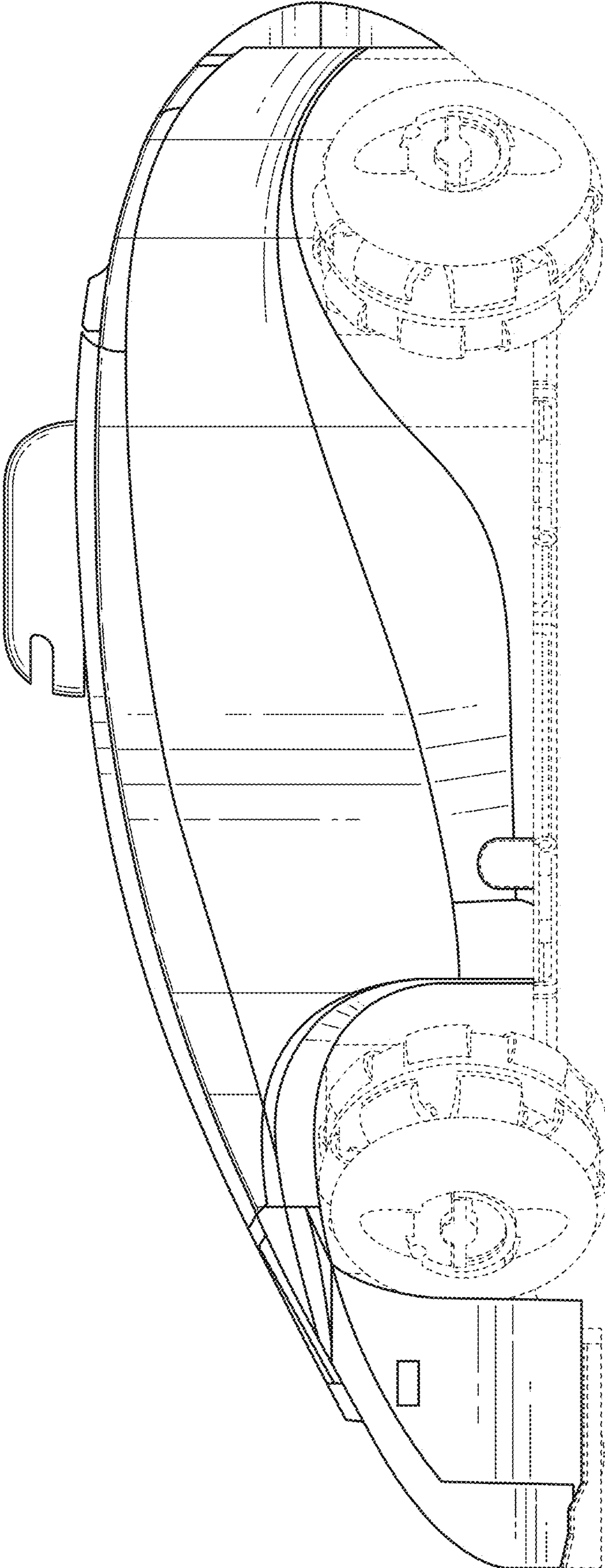


FIG. 5

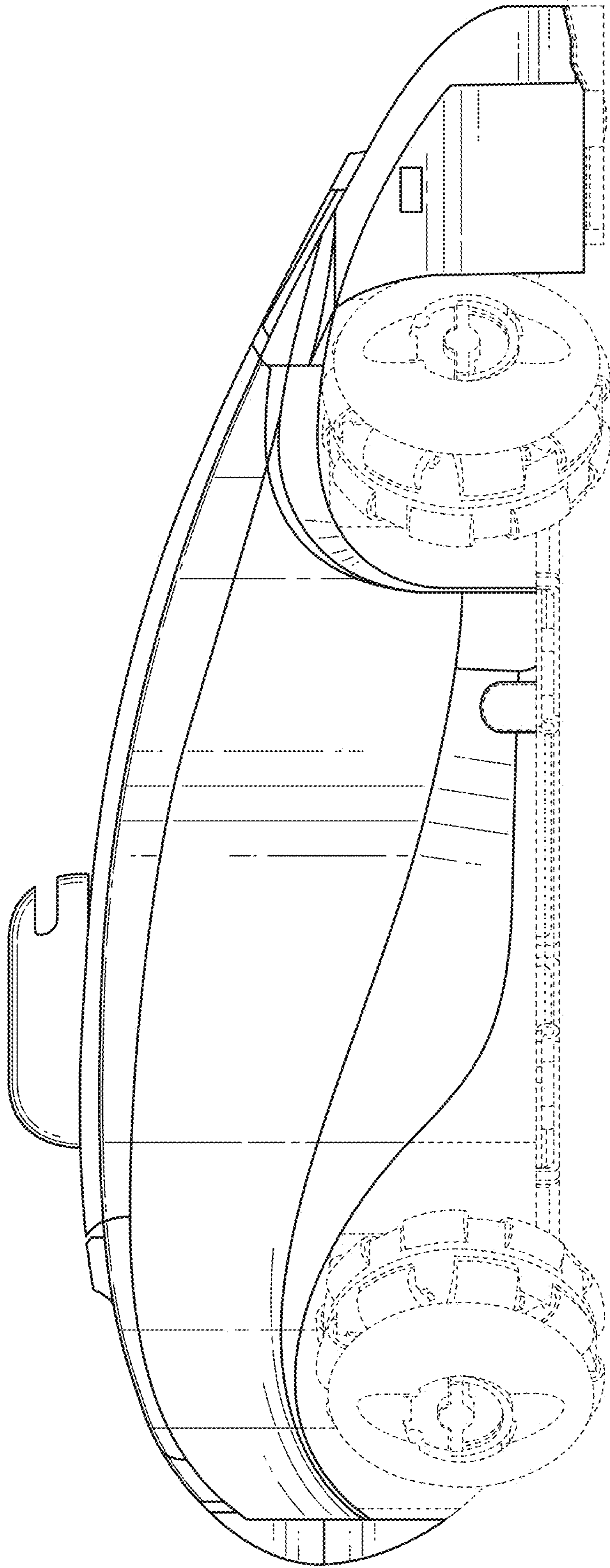


FIG. 6

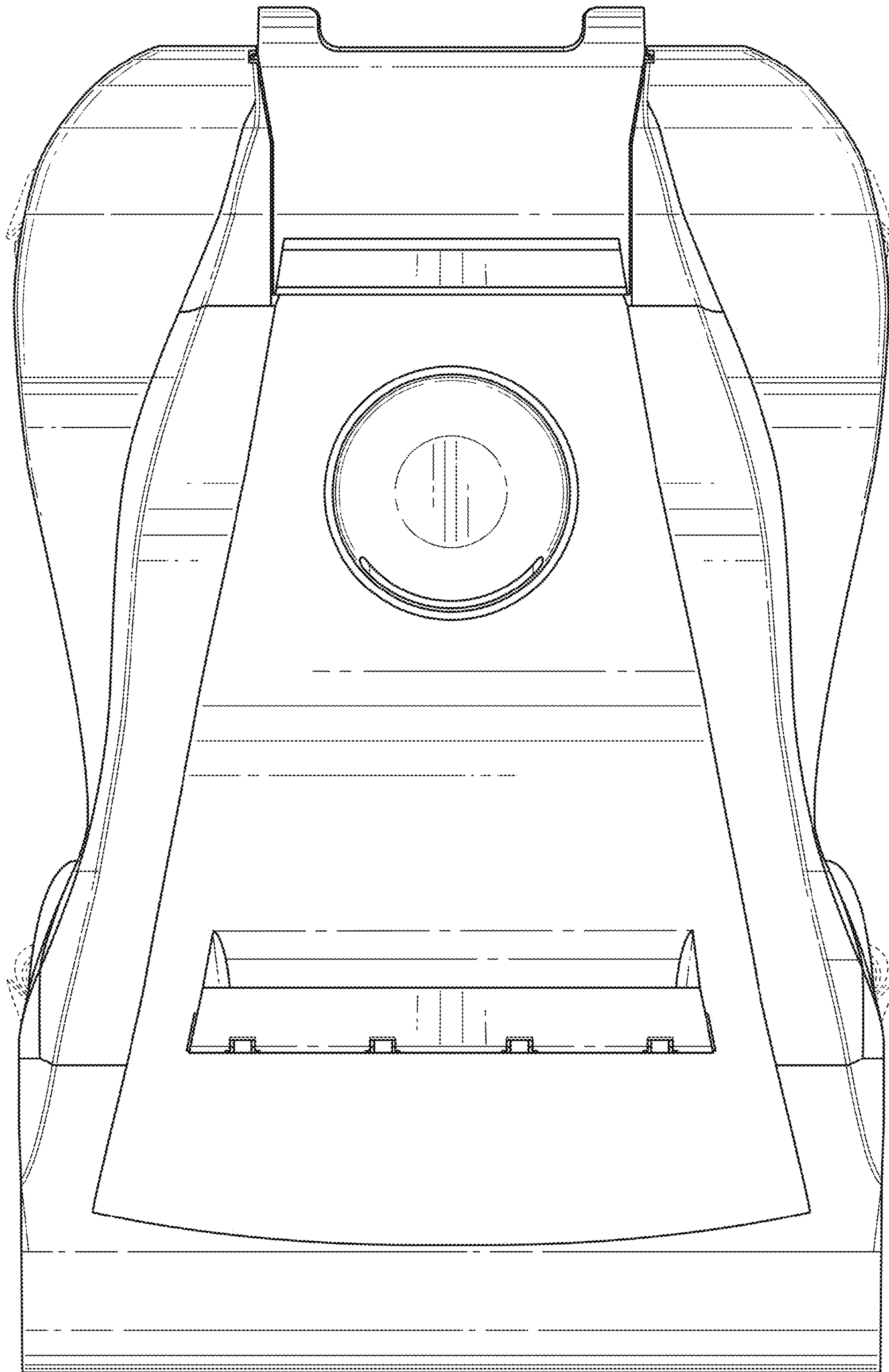


FIG. 7

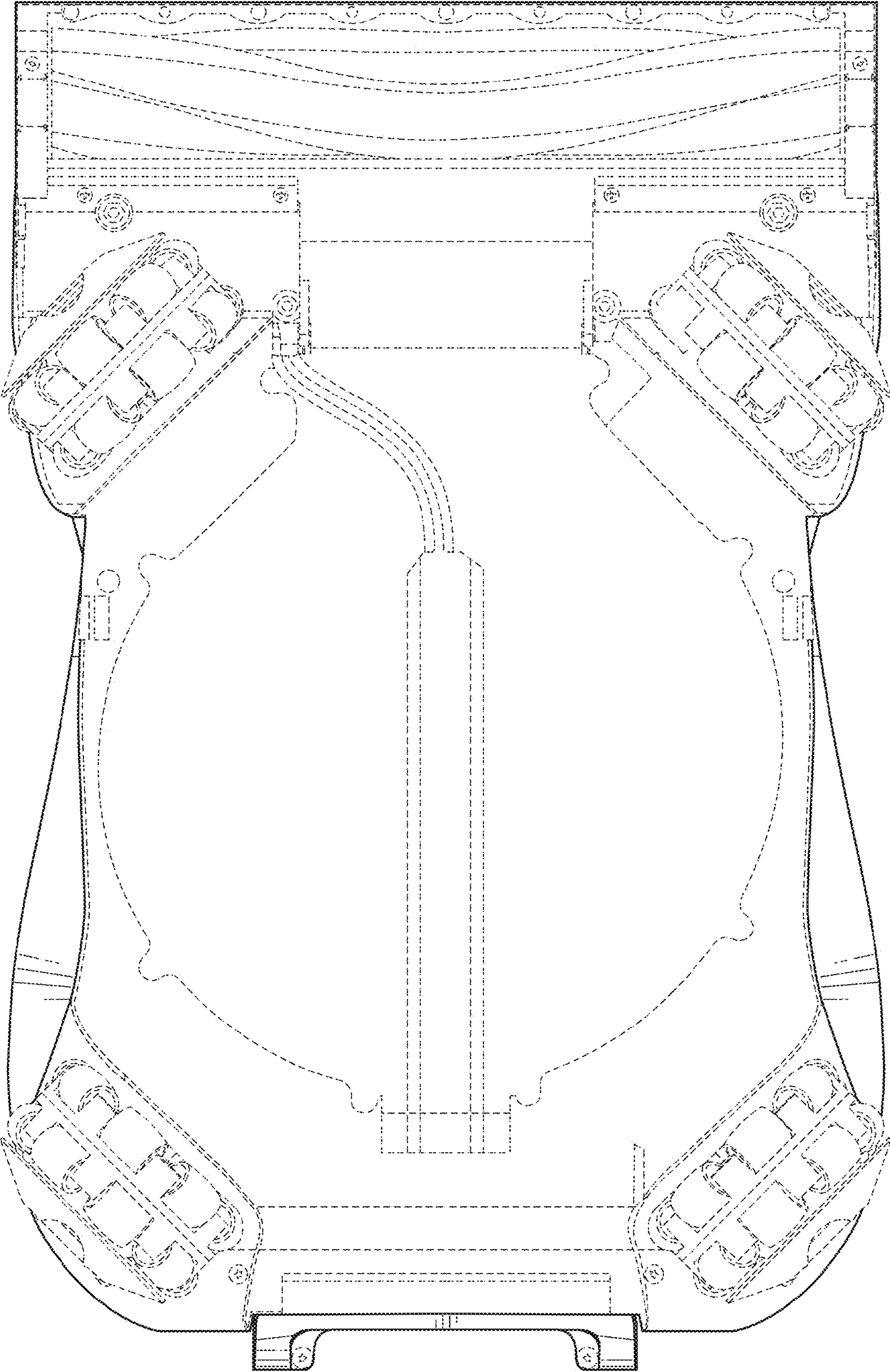


FIG. 8