



US00D870399S

(12) **United States Design Patent**  
**Van Curen et al.**

(10) **Patent No.:** **US D870,399 S**

(45) **Date of Patent:** **\*\* Dec. 17, 2019**

(54) **ANIMAL TRAINING COLLAR DEVICE**

(71) Applicant: **E-Collar Technologies, Inc.**, Garrett,  
IN (US)

(72) Inventors: **Greg Van Curen**, Fremont, IN (US);  
**Ho-Sung So**, Seoul (KR)

(73) Assignee: **E-Collar Technologies, Inc.**, Garrett,  
IN (US)

(\*\*) Term: **15 Years**

(21) Appl. No.: **29/650,538**

(22) Filed: **Jun. 7, 2018**

(51) **LOC (12) Cl.** ..... **30-04**

(52) **U.S. Cl.**  
USPC ..... **D30/152; D30/199**

(58) **Field of Classification Search**  
USPC ..... D30/144, 151, 152, 155, 199; D11/3;  
D10/104.1

CPC ... A01K 27/009; A01K 15/021; A01K 15/022  
See application file for complete search history.

(56) **References Cited**

**U.S. PATENT DOCUMENTS**

D380,692 S *	7/1997	Heun	.....	D30/152
D410,206 S *	5/1999	Slater	.....	D10/104.1
D478,831 S *	8/2003	So	.....	D10/104.1
D520,894 S *	5/2006	Zakharyan	.....	D30/199
D553,037 S *	10/2007	Zakharyan	.....	D30/152
D637,365 S *	5/2011	Li	.....	D30/155
D657,098 S *	4/2012	So	.....	D30/152
D661,846 S *	6/2012	Miller	.....	D30/152
D683,915 S *	6/2013	So	.....	D30/152
D706,500 S *	6/2014	Hu	.....	D30/152
D798,003 S *	9/2017	Dong	.....	D30/199
D811,016 S *	2/2018	Liu	.....	D30/152
D819,280 S *	5/2018	Li	.....	D30/199
D822,921 S *	7/2018	Wen	.....	D30/199

D834,769 S *	11/2018	Wen	.....	D30/199
D835,364 S *	12/2018	Lee	.....	D30/199
2013/0233252 A1 *	9/2013	Bellon	.....	A01K 15/021 119/720

(Continued)

**OTHER PUBLICATIONS**

“Educator ME-302 Micro.” Found online May 8, 2019 at www.educatorcollars.com. Product reviewed Feb. 2, 2019. Retrieved from URL: <https://www.educatorcollars.com/educator-me-302-micro.html> (Year: 2019).\*

(Continued)

*Primary Examiner* — Garth Rademaker

*Assistant Examiner* — Katelin G Kloberg

(74) *Attorney, Agent, or Firm* — Taylor IP, P.C.

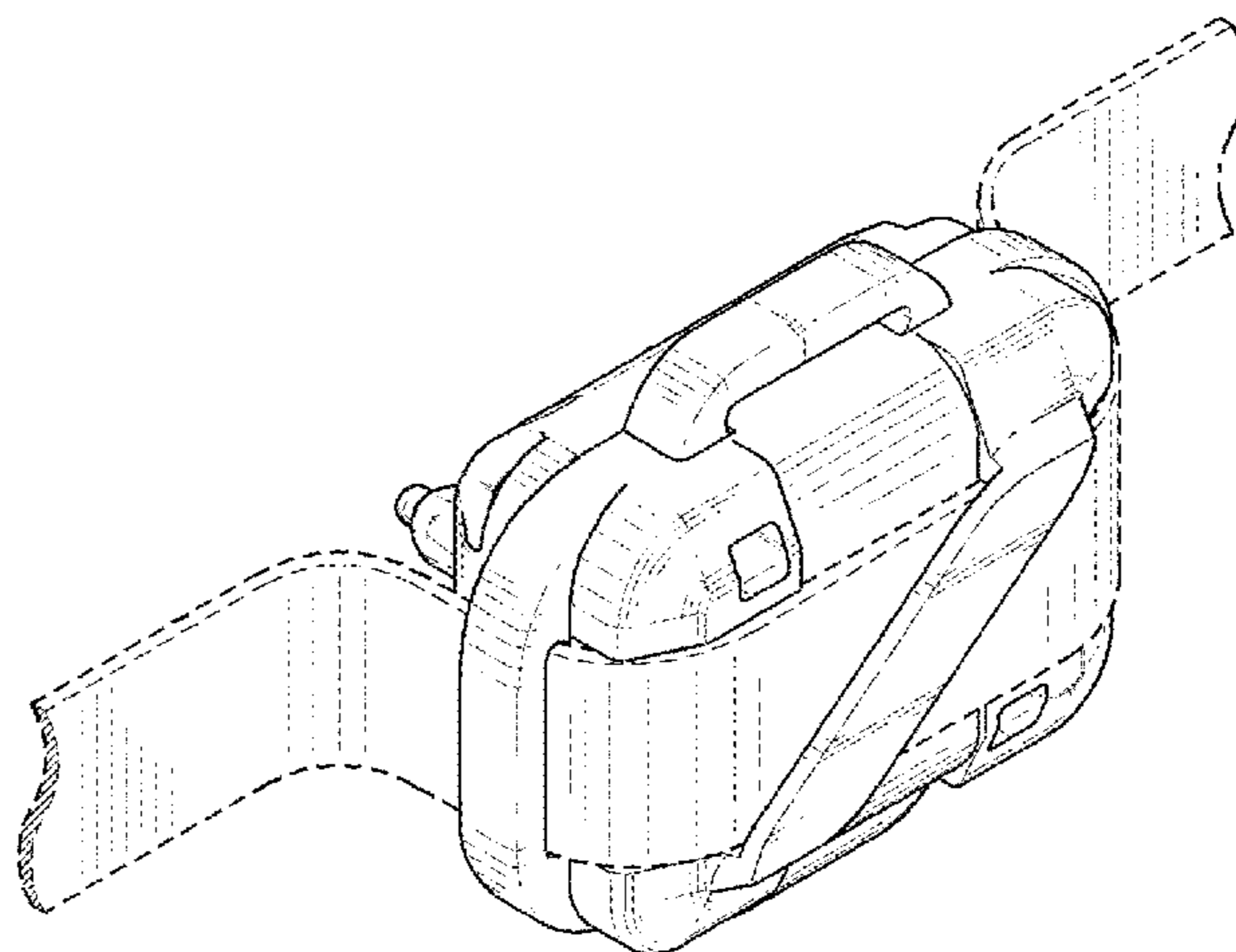
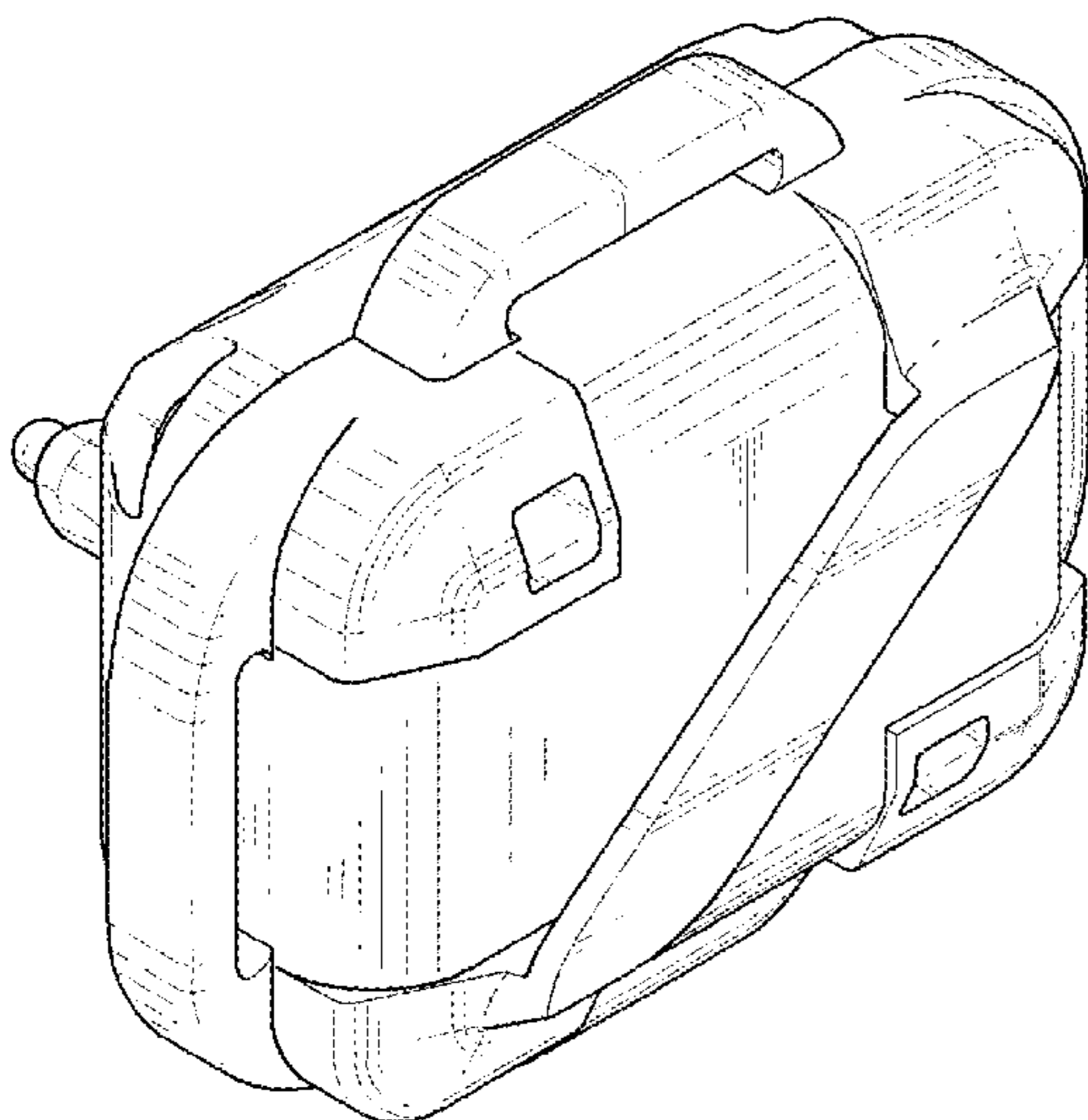
(57) **CLAIM**

The ornamental design for an animal training collar device, as shown and described.

**DESCRIPTION**

FIG. 1 is a front, top, left side perspective view of an animal training collar device, showing our new; FIG. 2 is a front elevation view thereof; FIG. 3 is a rear elevation view thereof; FIG. 4 is a left side elevation view thereof; FIG. 5 is a right side elevation view thereof; FIG. 6 is a top plan view thereof; FIG. 7 is a bottom plan view thereof; FIG. 8 is a rear, top, left side perspective view thereof; FIG. 9 is a reference front, top, left side perspective view, shown within a first configuration of use; and, FIG. 10 is a front, top, left side perspective view, shown rotated 90° within a second configuration of use. The broken lines depicting a collar represent environmental subject matter that forms no part of the claimed design.

**1 Claim, 7 Drawing Sheets**



(56)

**References Cited**

U.S. PATENT DOCUMENTS

2018/0249680 A1\* 9/2018 Van Curen ..... A01K 15/022

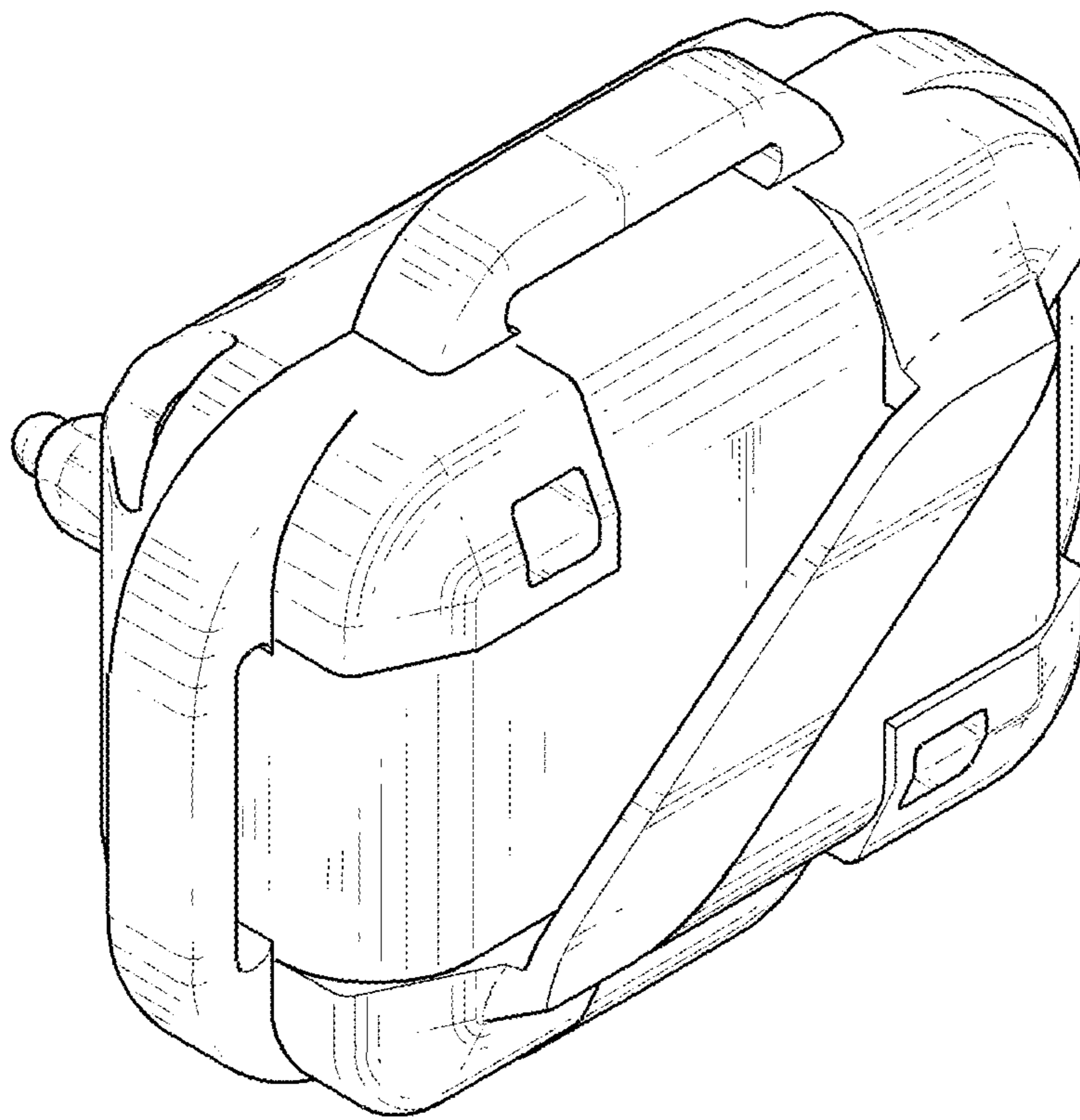
OTHER PUBLICATIONS

“ME-300 Micro Educator RX-070 Micro Collar Receiver.” Found online May 8, 2019 at [www.youtube.com](http://www.youtube.com). Video published Jul. 22, 2018. Retrieved from URL: [https://www.youtube.com/watch?v=fFtq\\_kyv\\_EM](https://www.youtube.com/watch?v=fFtq_kyv_EM) (Year: 2018).\*

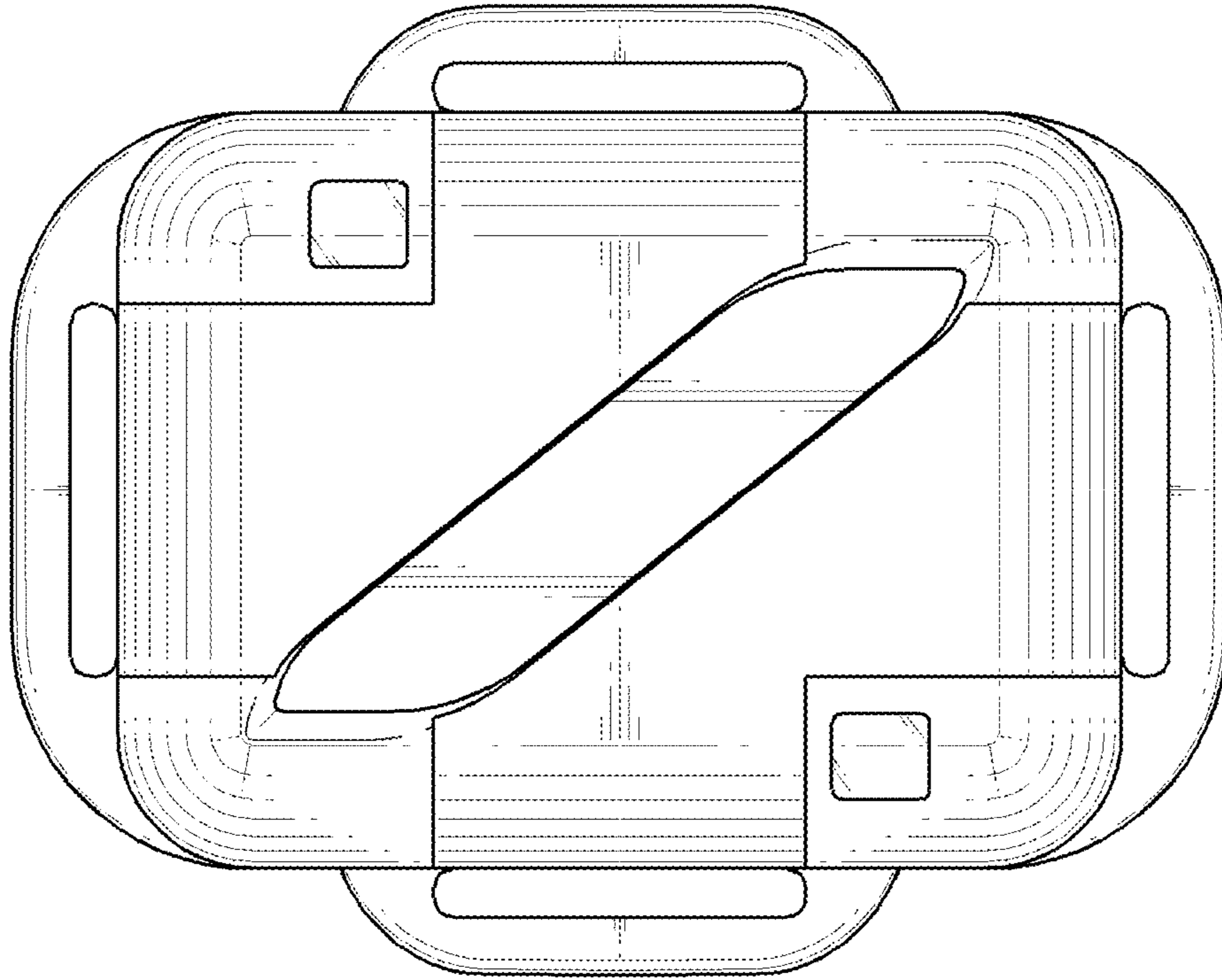
“Peston Dog Training Collar.” Found online May 8, 2019 at [www.amazon.com](http://www.amazon.com). Product reviewed Nov. 27, 2017. Retrieved from URL: <https://www.amazon.com/PESTON-Training-Collar-Shock-Dogs/dp/B0768XSK3B> (Year: 2017).\*

\* cited by examiner

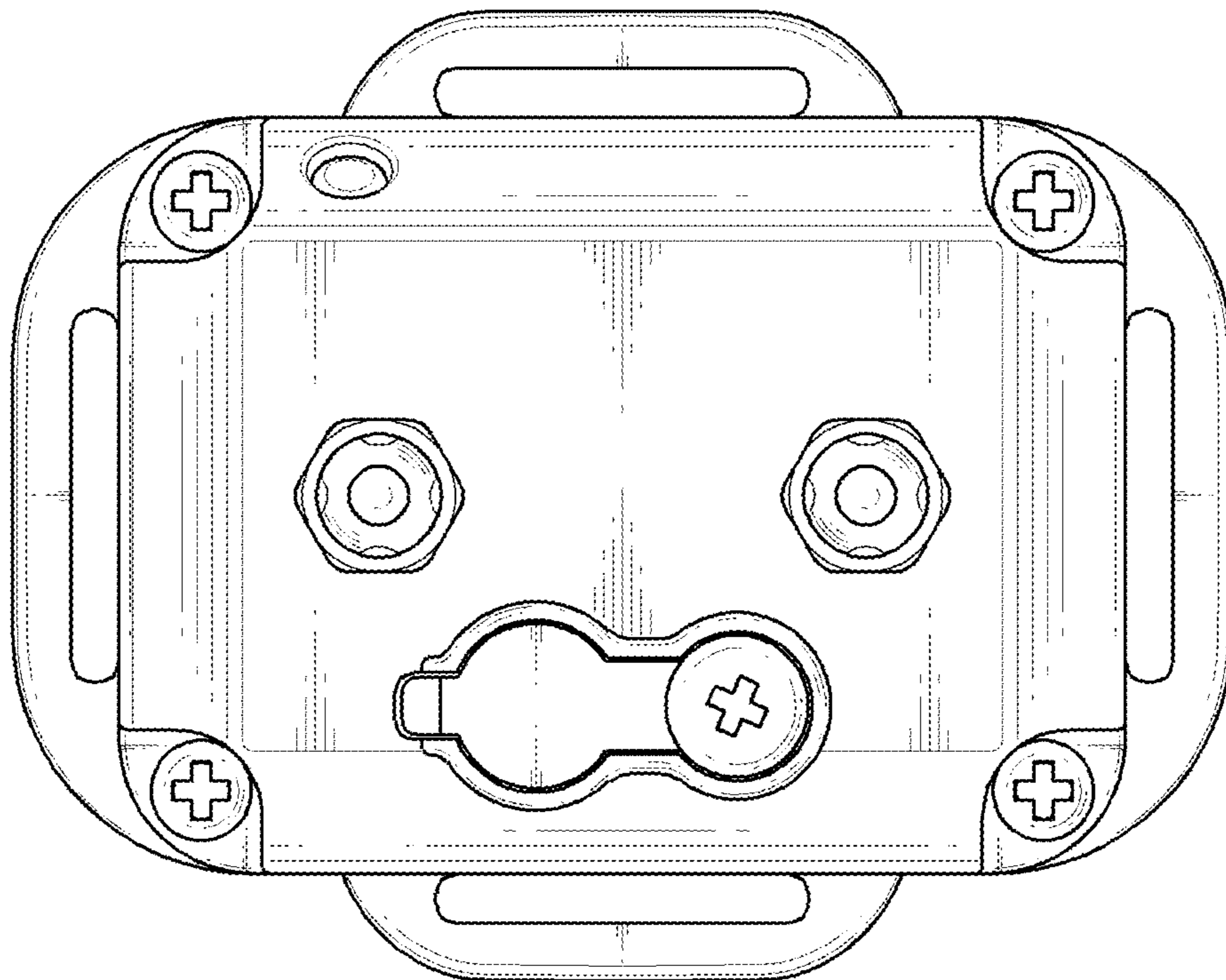
【FIG. 1】



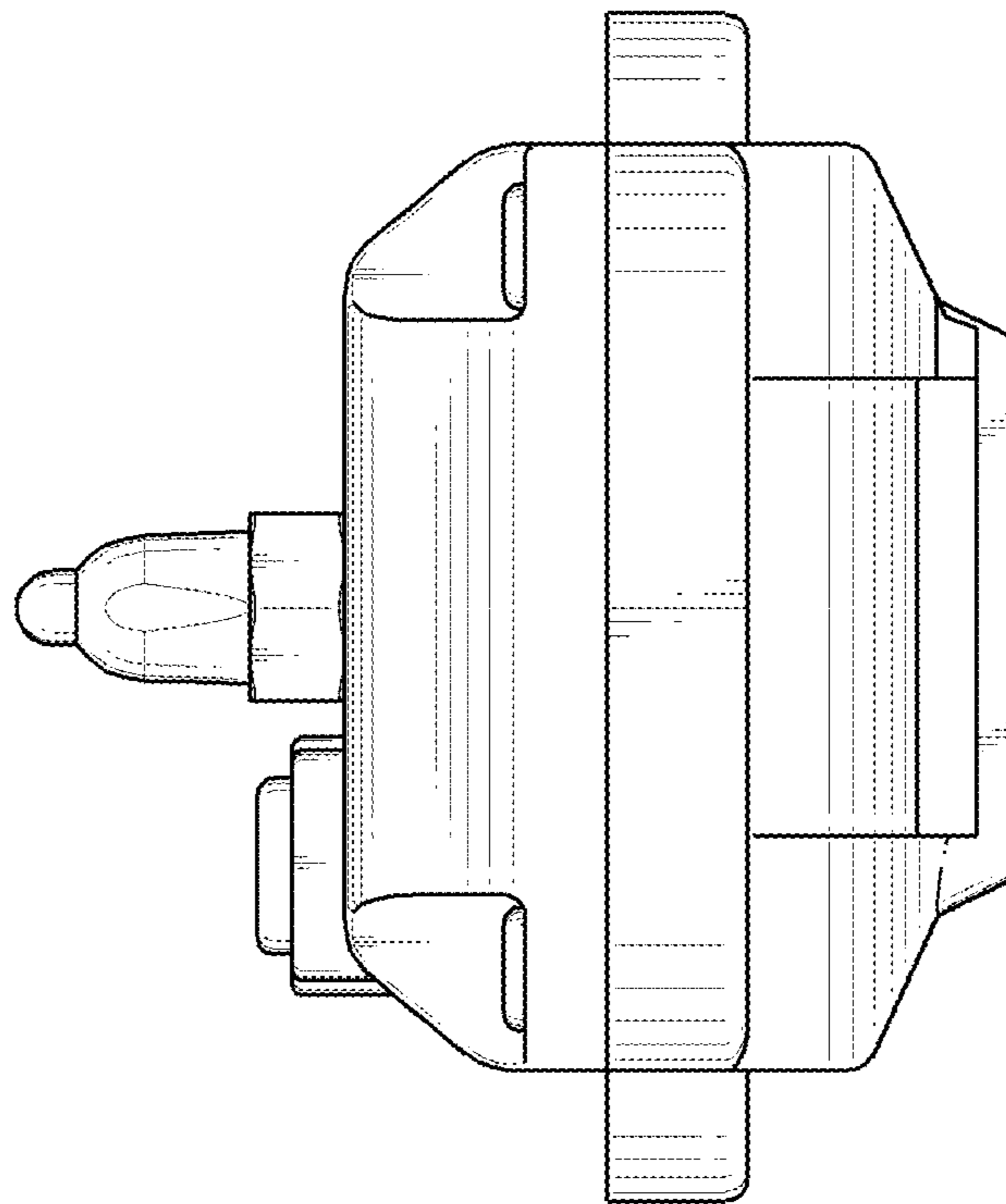
【FIG. 2】



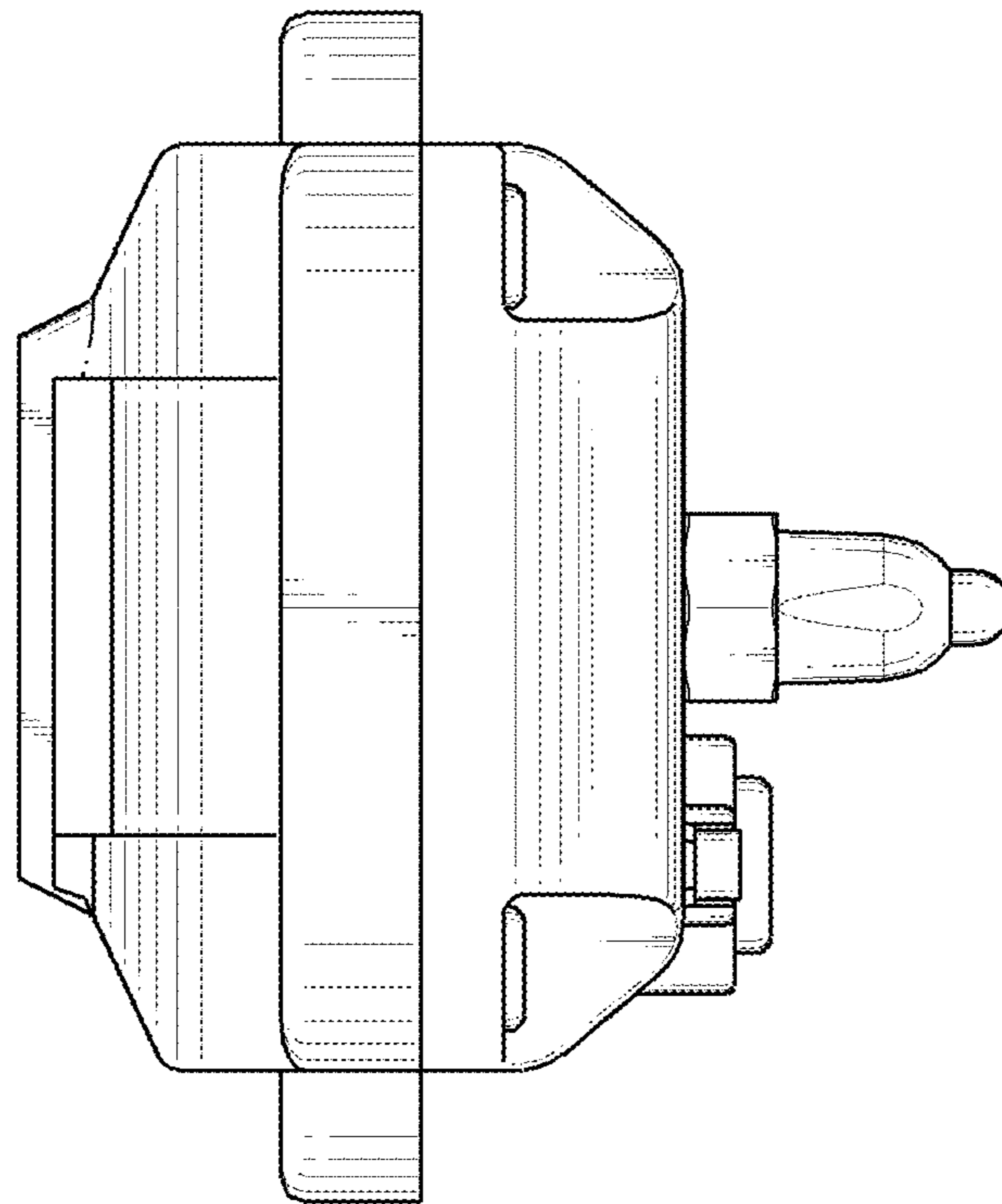
【FIG. 3】



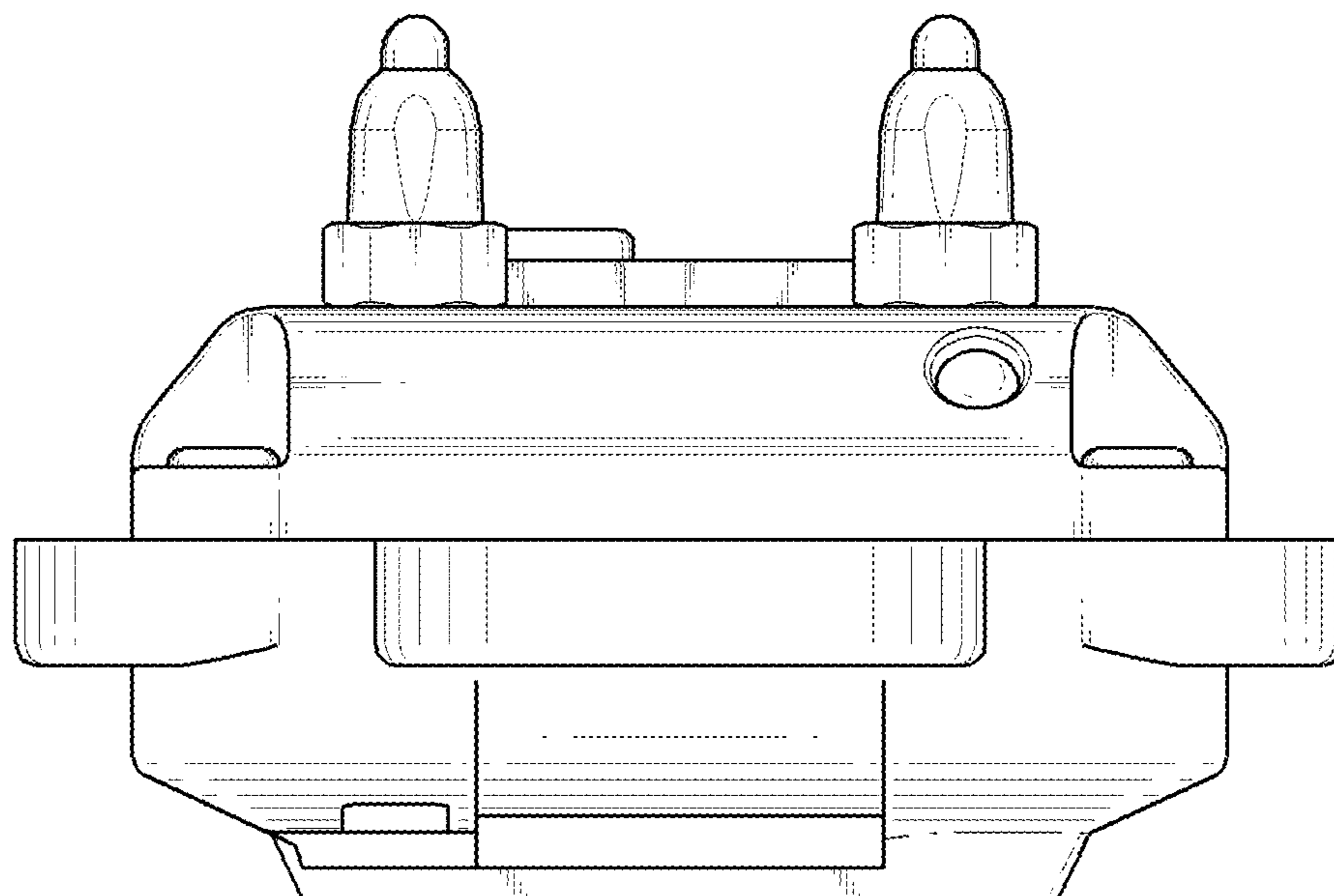
【FIG. 4】



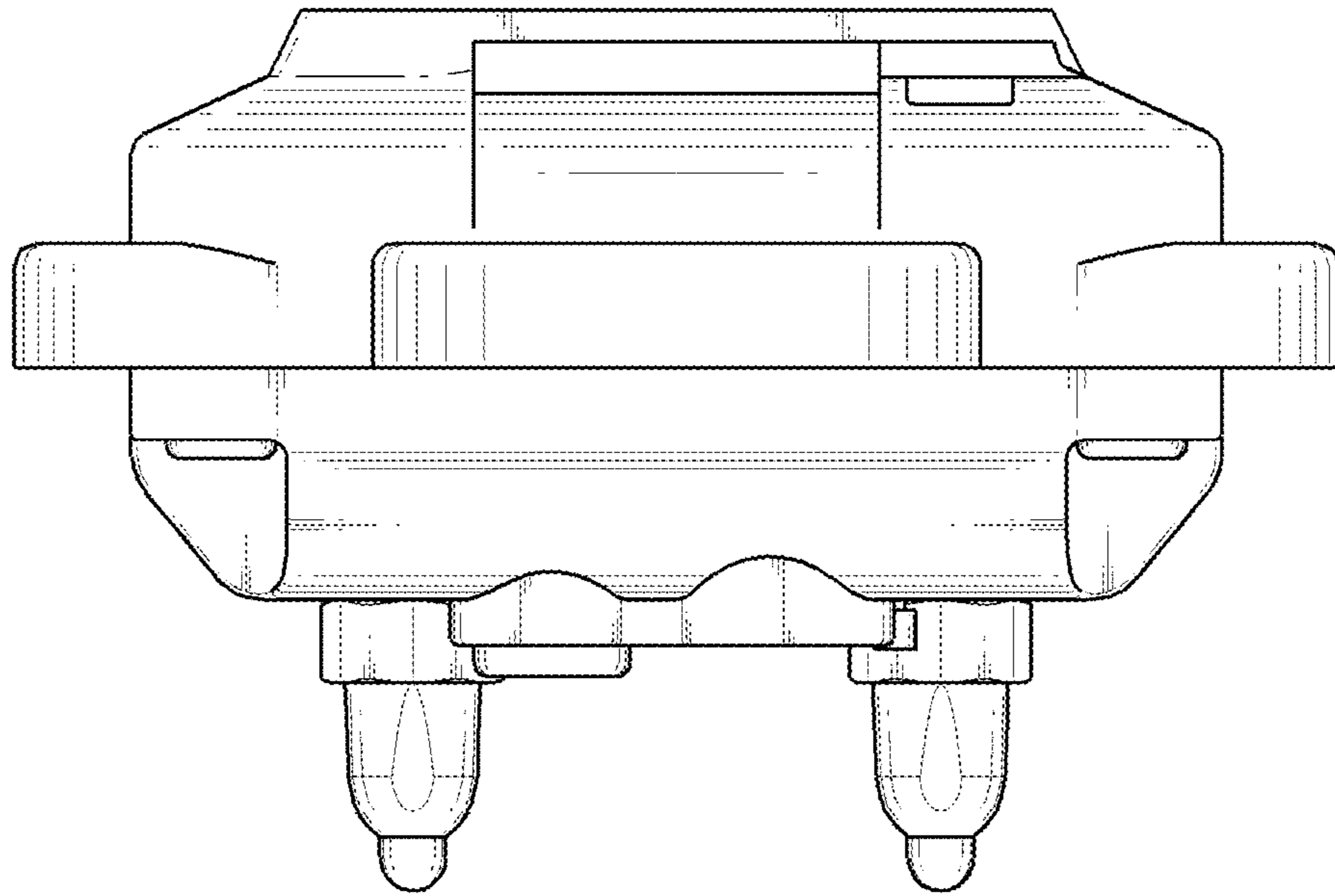
【FIG. 5】



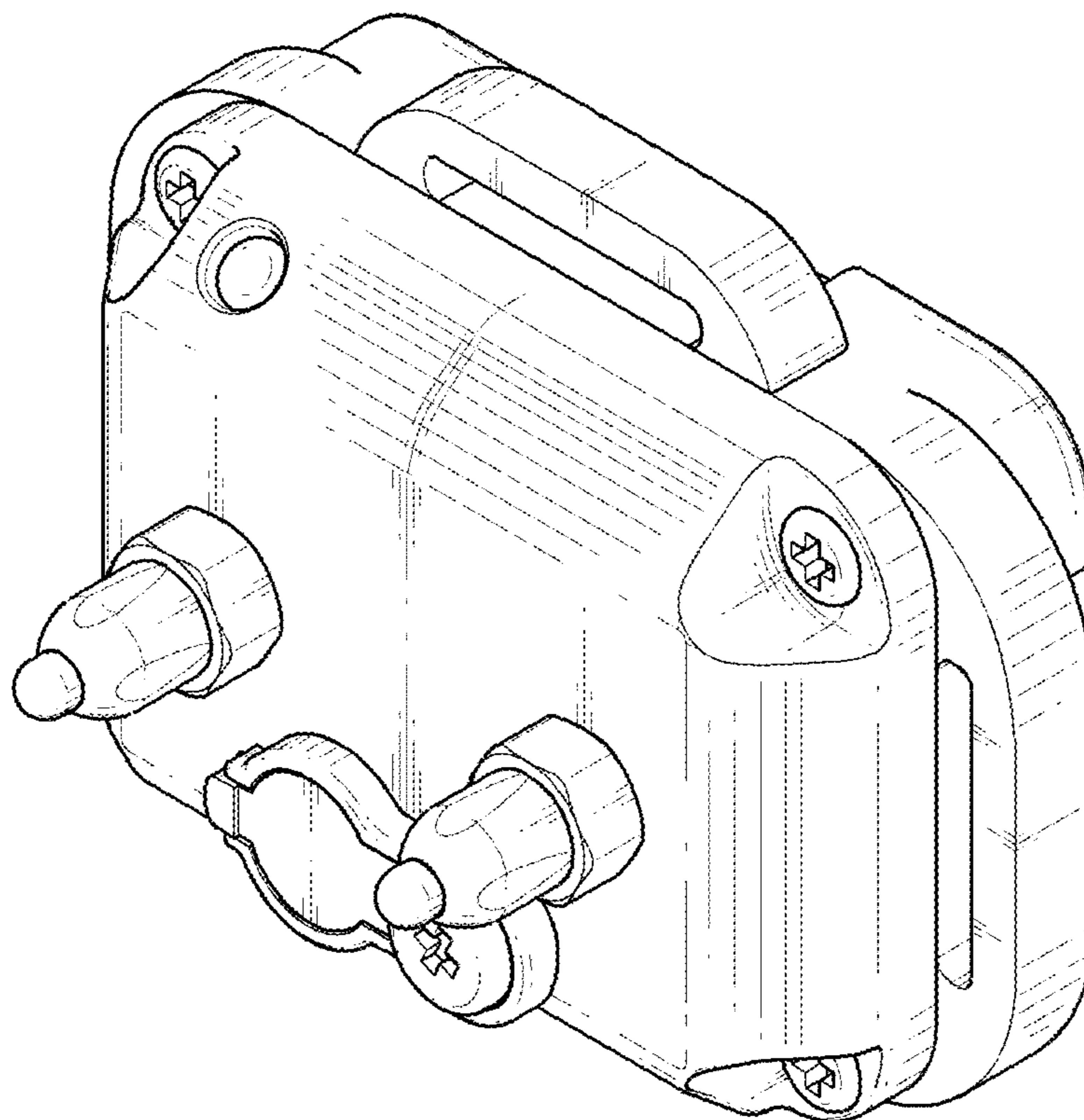
【FIG. 6】



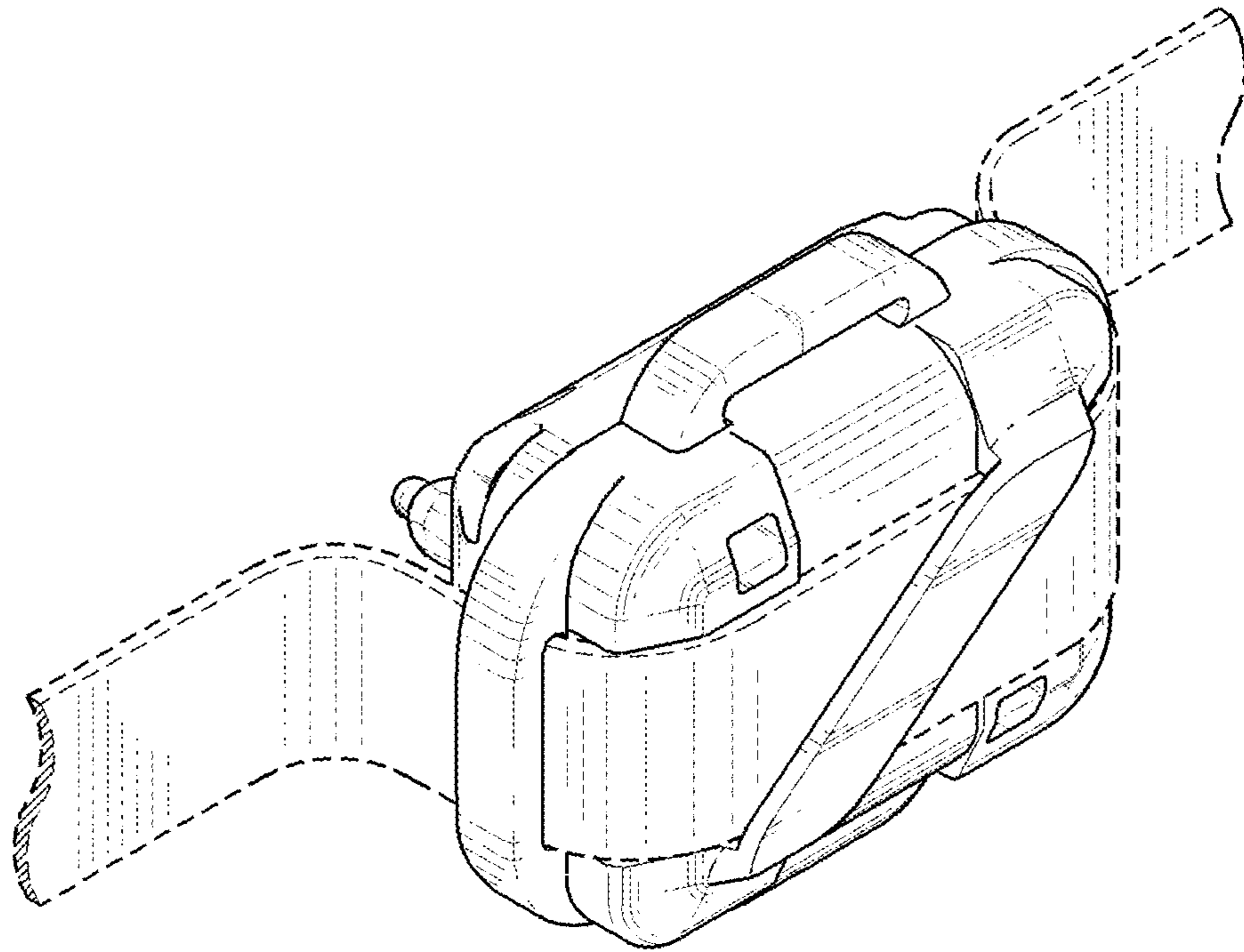
【FIG. 7】



【FIG. 8】

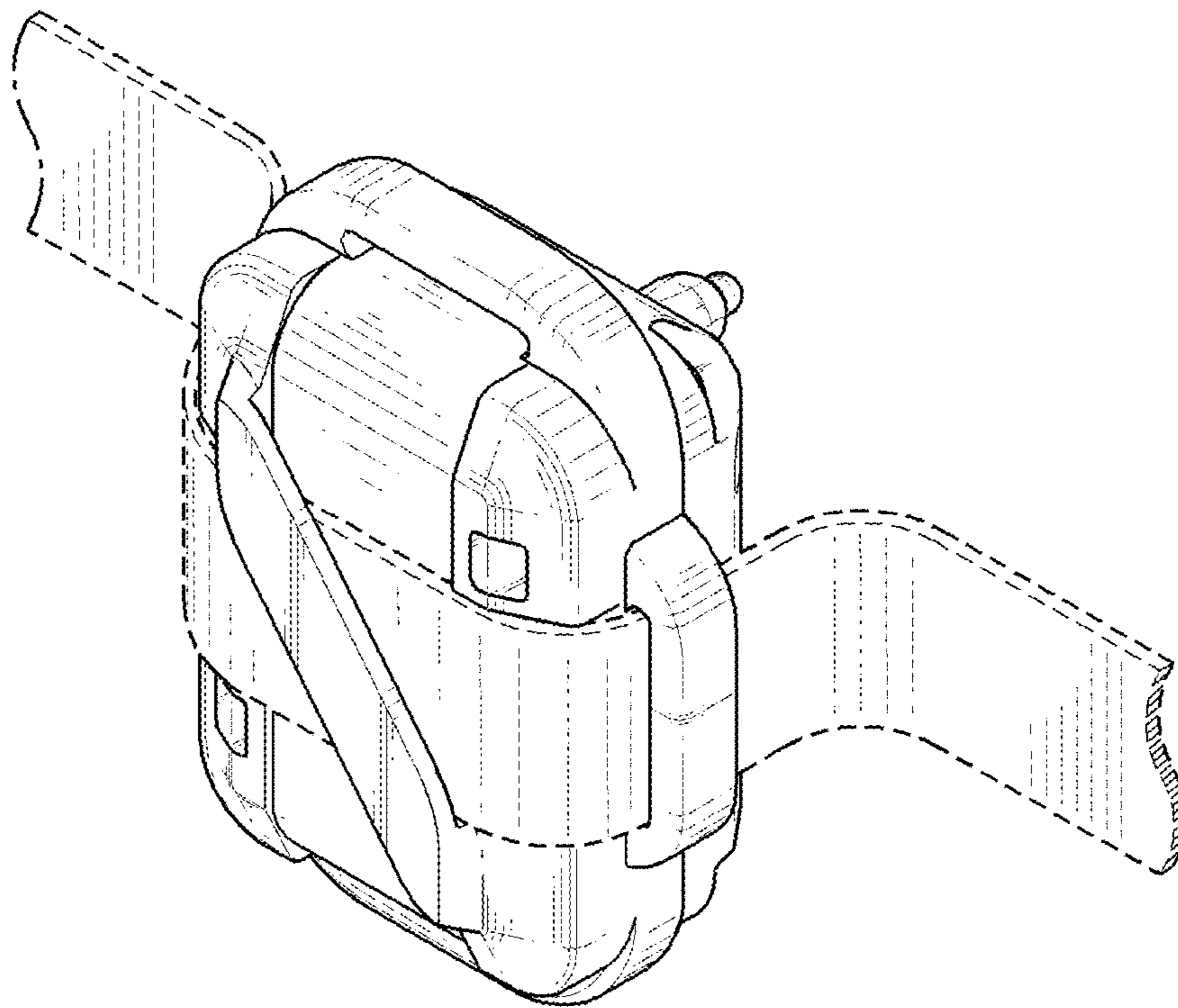


[FIG. 9]





【FIG. 10】



UNITED STATES PATENT AND TRADEMARK OFFICE  
**CERTIFICATE OF CORRECTION**

PATENT NO. : D870,399 S  
APPLICATION NO. : 29/650538  
DATED : December 17, 2019  
INVENTOR(S) : Greg Van Curen et al.

Page 1 of 1

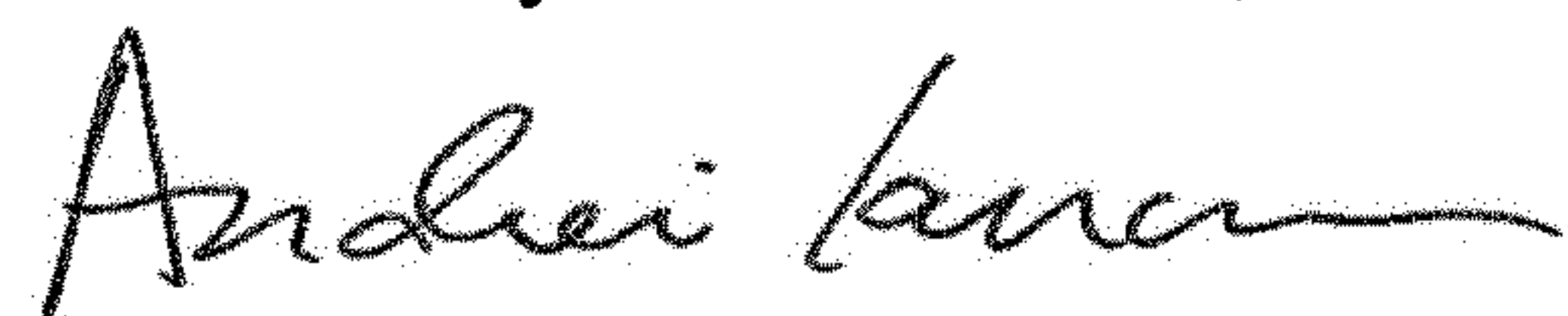
It is certified that error appears in the above-identified patent and that said Letters Patent is hereby corrected as shown below:

On the Title Page

Item (57) DESCRIPTION:

Line 2, Under FIG. 1, please delete “new;”, and substitute therefore --new design;--; and  
Line 10, Under FIG. 9, after “FIG. 9 is a”, please delete “reference”.

Signed and Sealed this  
Tenth Day of November, 2020



Andrei Iancu  
*Director of the United States Patent and Trademark Office*