



US00D870398S

(12) **United States Design Patent** (10) **Patent No.:** **US D870,398 S**
Veness (45) **Date of Patent:** **** Dec. 17, 2019**

(54) **PET FEEDER**

222/465.1; 242/598.5; 224/414, 926;
D12/411; D6/553, 450; D8/395, 396;
D24/199, 198; 211/74, 75; D23/266;
273/394, 338, 127 B, 447, 127 R
(Continued)

(71) Applicant: **Doskocil Manufacturing Company, Inc.**, Arlington, TX (US)

(72) Inventor: **David Veness**, Fort Worth, TX (US)

(73) Assignee: **DOSKOCIL MANUFACTURING COMPANY, INC.**, Arlington, TX (US)

(56) **References Cited**

U.S. PATENT DOCUMENTS

(**) Term: **15 Years**

D5,398 S * 12/1871 Jackson D30/131
487,003 A * 11/1892 Doolan A01K 5/01
119/61.3

(21) Appl. No.: **29/696,266**

(Continued)

(22) Filed: **Jun. 26, 2019**

Primary Examiner — Susan Moon Lee

(74) *Attorney, Agent, or Firm* — Global IP Counselors, LLP

Related U.S. Application Data

(60) Division of application No. 29/597,860, filed on Mar. 21, 2017, which is a continuation of application No. 29/595,803, filed on Mar. 2, 2017.

(57) **CLAIM**

The ornamental design for a pet feeder, as shown and described.

(51) **LOC (12) Cl.** **30-03**

(52) **U.S. Cl.**
USPC **D30/130**; D30/129; D30/121; D30/131

DESCRIPTION

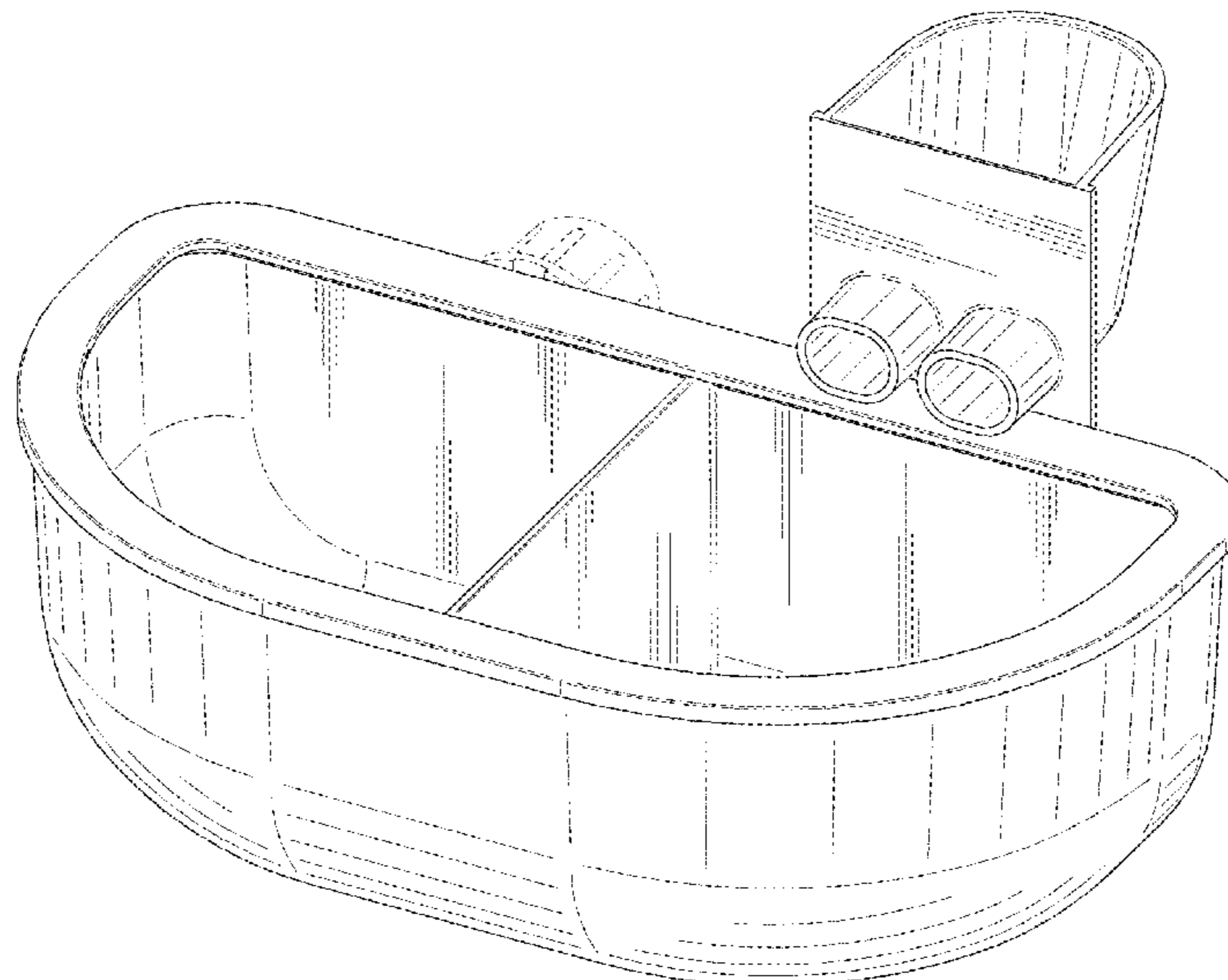
(58) **Field of Classification Search**
USPC D30/121, 122, 129–133, 127, 124, 199, D30/119; 119/61.5, 51.01, 61.56, 51.03, 119/59, 62, 63, 51.5, 57.8, 74, 61.54, 119/61.55, 71, 61.57, 477, 454, 515, 464, 119/72.5, 77, 55, 710, 52.3, 56.1, 53, 119/52.1, 58, 76, 72; 312/204, 327; 248/151, 188, 222.14, 210, 102, 105, 106, 248/104, 311.2, 313, 316.5, 108, 302, 248/311.3; 108/156, 153.1–157; 220/23.87, 630, 737, 743, 9.4, 495.01, 220/574, 212, 255, 23.83, 482, 758, 671, 220/769, 776, 904, 751, 770; 206/515, 206/524.5; D7/586, 543, 550.1, 587, 505, D7/584, 545, 500, 553.1–553.8, 546, 555, D7/556, 504, 565, 562, 602, 701, 702, D7/706, 707; D9/429; 43/109; D22/122; 99/430, DIG. 15; D32/53;

FIG. 1 is a back perspective view of a pet feeder in accordance with my new design;
FIG. 2 is a front perspective view thereof
FIG. 3 is a back view thereof;
FIG. 4 is a front view thereof;
FIG. 5 is a right side view thereof;
FIG. 6 is a left side view thereof;
FIG. 7 is a top view thereof; and,
FIG. 8 is a bottom view thereof.

Any surface marks in the drawings are merely shading lines used to convey the contours of the pet feeder, and not surface ornamentation.

The broken lines and unshaded portions contained within broken lines depict unclaimed features of the pet feeder that form no part of the design claim but are shown for illustrative purposes.

1 Claim, 8 Drawing Sheets



(58) **Field of Classification Search**
 CPC A01K 5/00; A01K 5/01; A01K 5/0107;
 A01K 5/0114-0142; A01K 7/00; A01K
 7/005; A01K 7/025; A01K 7/027; A01K
 9/00; A01K 9/005; A01K 1/10; A47B
 73/00; A47B 73/006; A47B 73/002; A47B
 73/008; A61J 9/06; A61J 9/0607; A61J
 9/0638; A61J 9/0676; A61J 9/0684; A61J
 9/063; A61J 9/0661; A61J 9/0653; A63B
 67/06; A63B 63/00; A63B 2067/065
 See application file for complete search history.

(56) **References Cited**

U.S. PATENT DOCUMENTS

537,761 A * 4/1895 Erskine A01K 1/10
 119/60
 D24,952 S * 12/1895 Denny D30/131
 757,645 A * 4/1904 Bassett 224/604
 1,881,065 A * 10/1932 Shirley A01K 5/01
 119/61.4
 2,278,401 A * 3/1942 Micari A47K 5/02
 248/231.81
 2,675,782 A * 4/1954 Lage A01K 5/01
 119/61.1
 D302,050 S * 7/1989 Ingrisani D27/104
 5,261,577 A * 11/1993 Goldstein B44D 3/12
 220/23.83
 D383,252 S * 9/1997 Pearce D30/119
 D444,278 S * 6/2001 Myers, Jr. D32/54
 D557,413 S * 12/2007 Buermann D24/123
 D561,955 S * 2/2008 McDonough D30/119

D610,408 S * 2/2010 Paolini D7/500
 7,681,525 B1 * 3/2010 Trulove A01K 5/01
 119/58
 D618,414 S * 6/2010 Bechtold, Jr. D32/54
 D625,961 S * 10/2010 Kent D7/545
 D694,905 S * 12/2013 Brown D24/224
 D706,671 S * 6/2014 Thuma D11/152
 D707,402 S * 6/2014 Halderman D30/121
 8,827,104 B2 * 9/2014 Hickox A47G 23/0633
 220/23.83
 D727,107 S * 4/2015 Parodi, Jr. D7/396.2
 D727,111 S * 4/2015 Henry D7/620
 D727,112 S * 4/2015 Henry D7/620
 9,119,490 B1 * 9/2015 Parodi, Jr. A47G 19/2205
 D759,332 S * 6/2016 Basmajian D34/1
 D782,143 S * 3/2017 Divizinskiy D34/1
 D805,816 S * 12/2017 Gale D6/683
 D825,273 S * 8/2018 Liming D7/602
 D835,357 S * 12/2018 McIntyre D30/131
 2008/0035655 A1 * 2/2008 Baumgartner A01K 5/01
 220/751
 2008/0237153 A1 * 10/2008 Nicastle A01K 7/00
 210/806
 2010/0058820 A1 * 3/2010 Gurb A01K 1/10
 70/267
 2011/0084087 A1 * 4/2011 Scribner A01G 9/022
 220/751
 2012/0160177 A1 * 6/2012 Dalrymple A01K 5/01
 119/61.1
 2012/0288262 A1 * 11/2012 Clark, Jr. A01K 7/027
 392/444
 2018/0049404 A1 * 2/2018 Crews A01K 5/0107
 2019/0059626 A1 * 2/2019 Ellis A47H 27/00

* cited by examiner

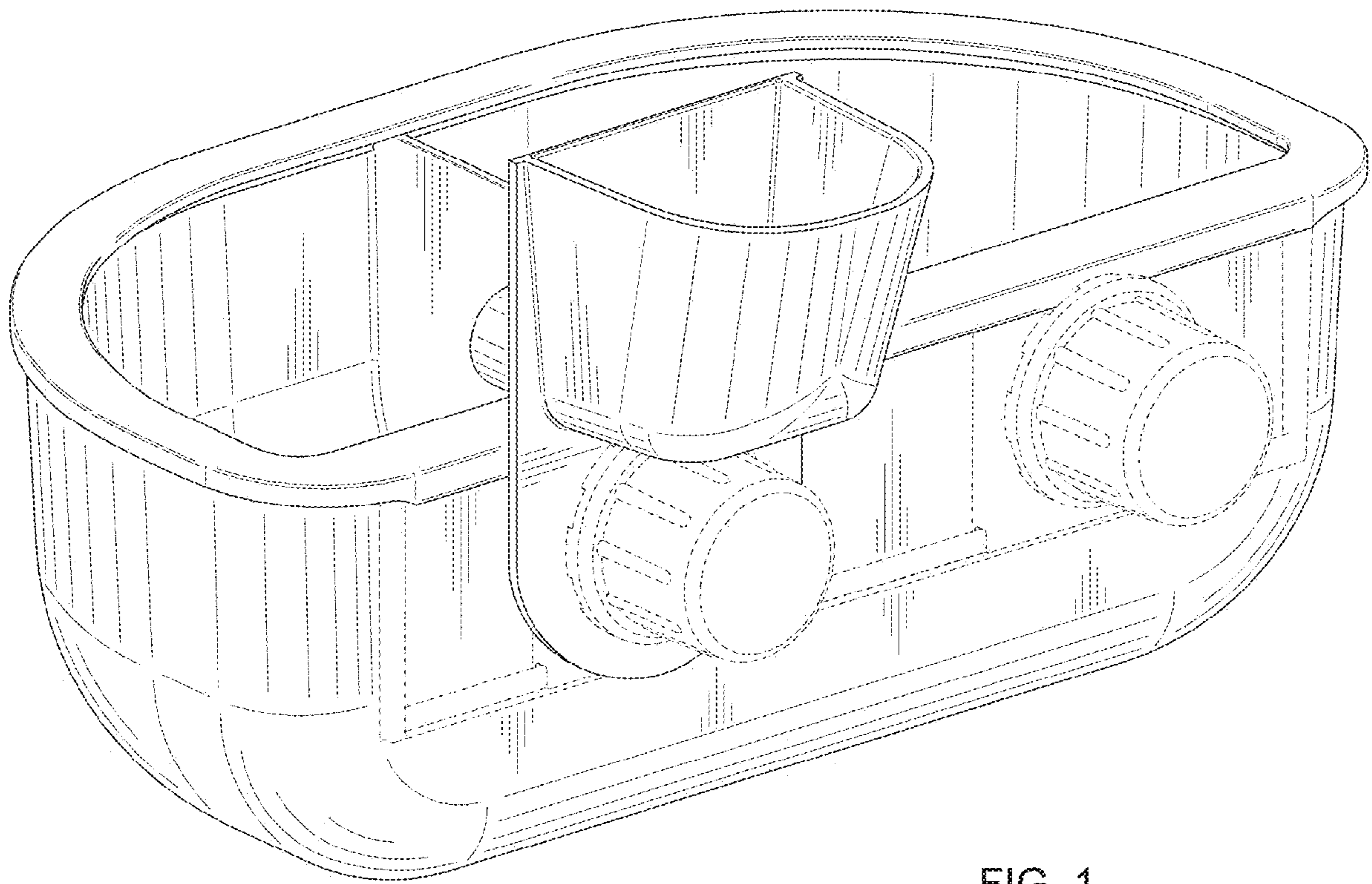


FIG. 1

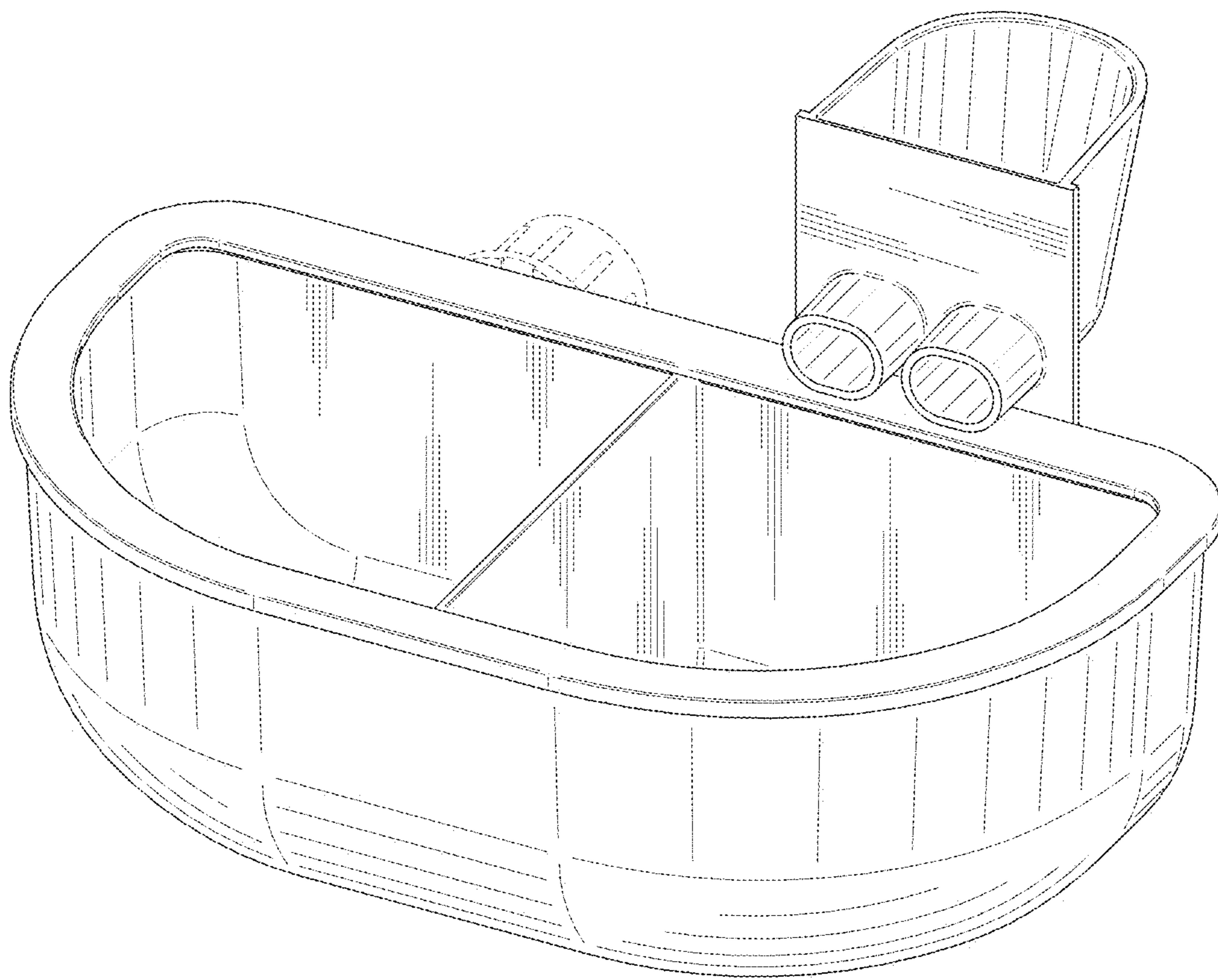


FIG. 2

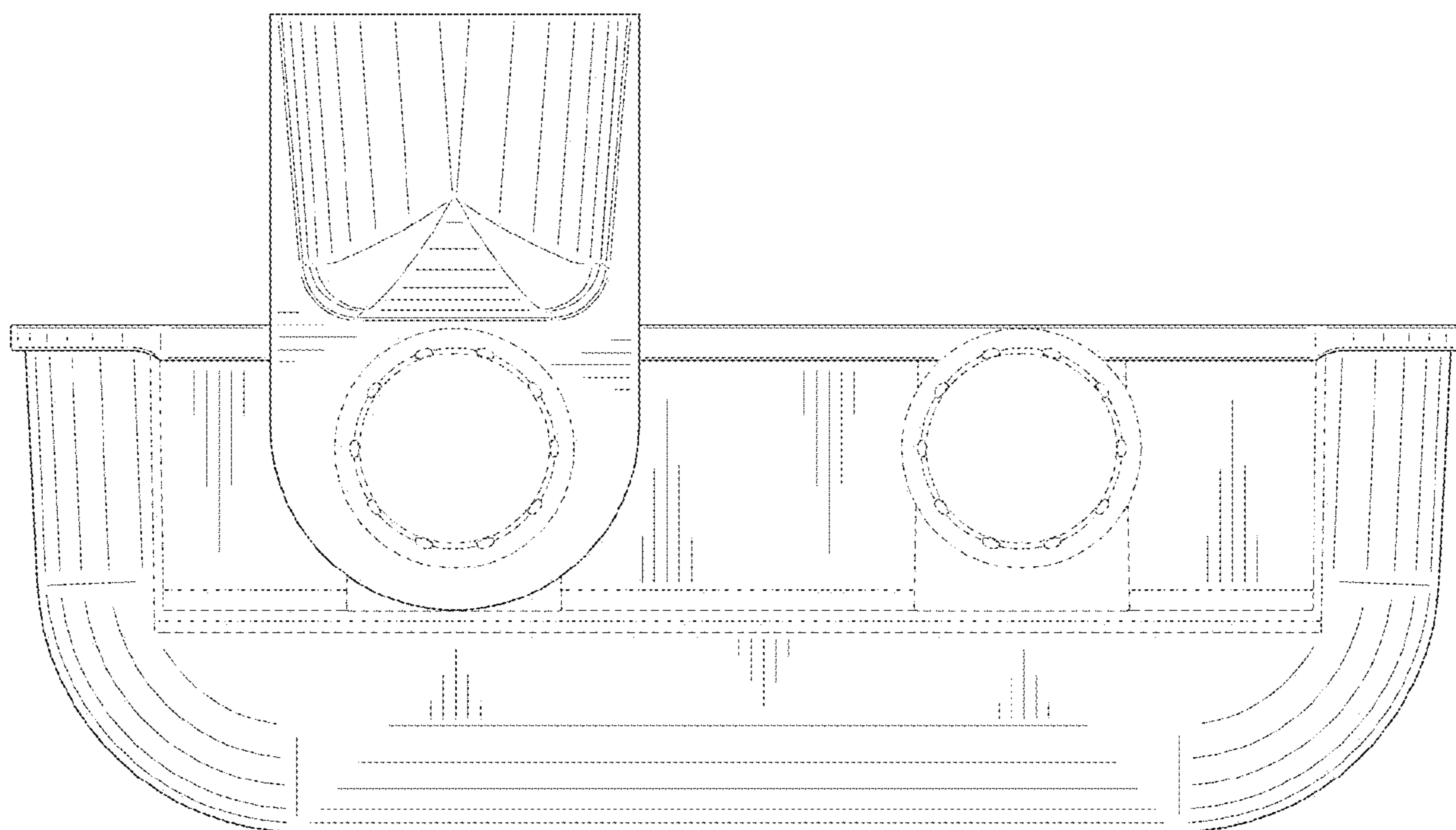


FIG. 3

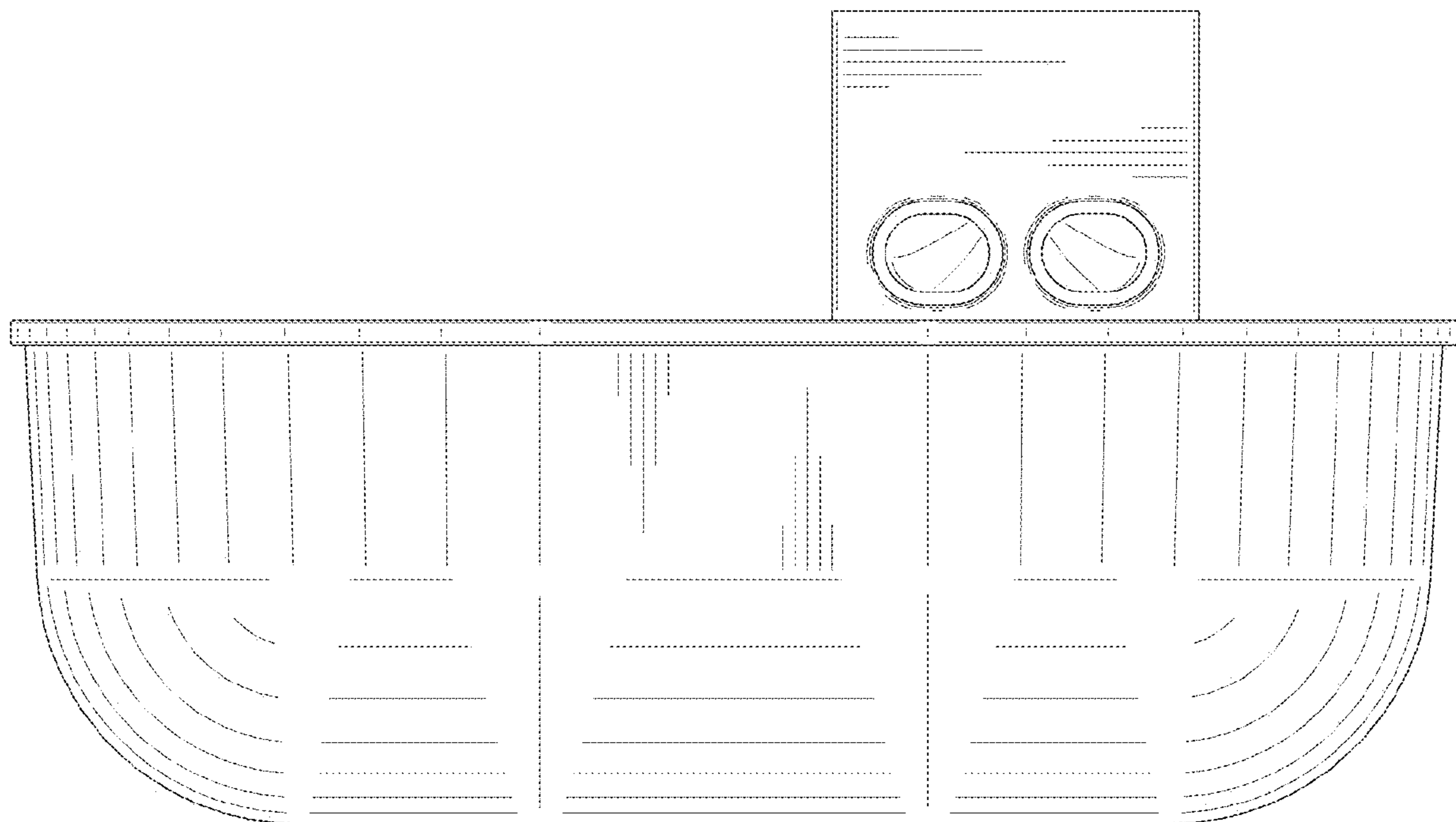


FIG. 4

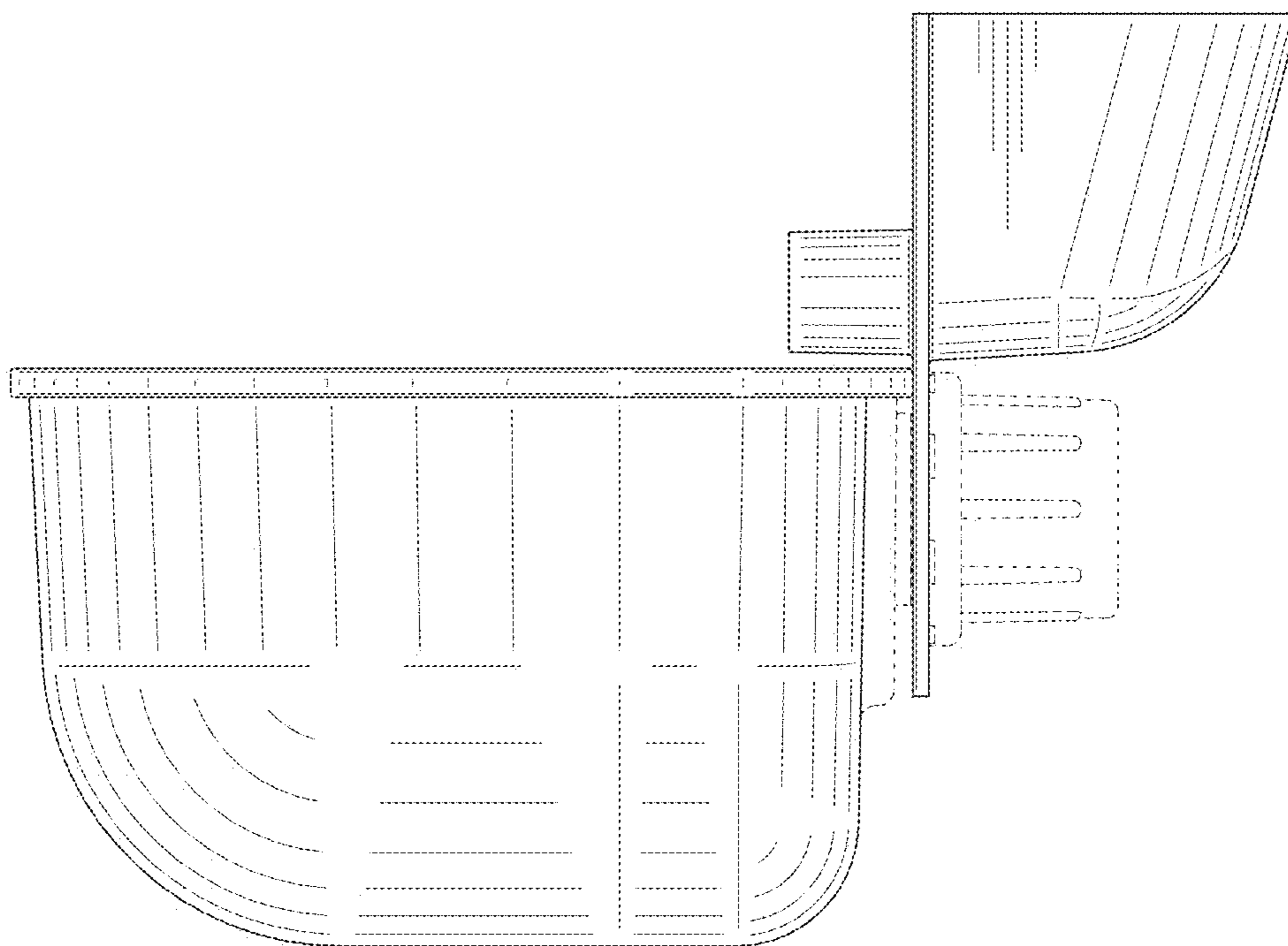


FIG. 5

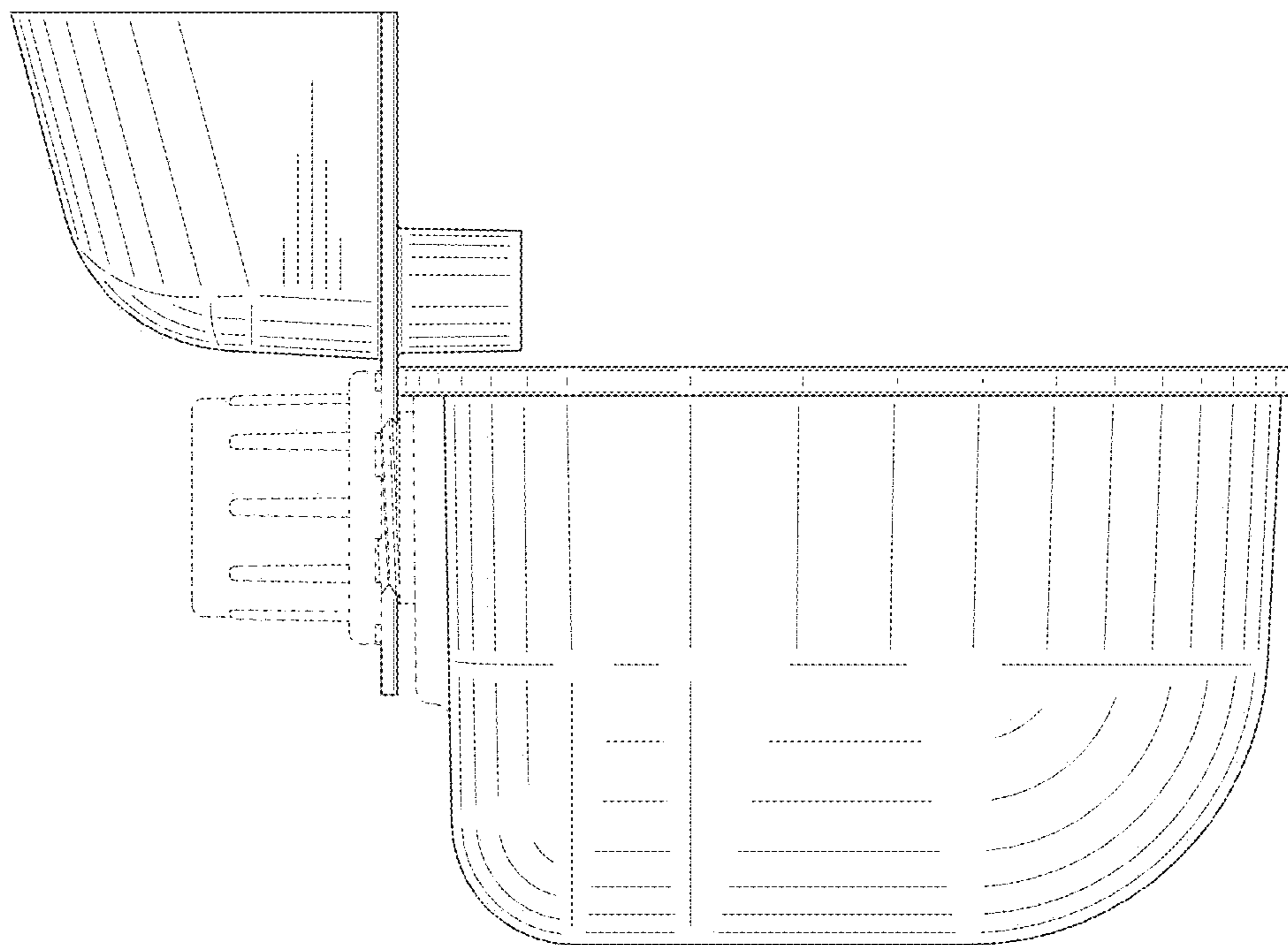


FIG. 6

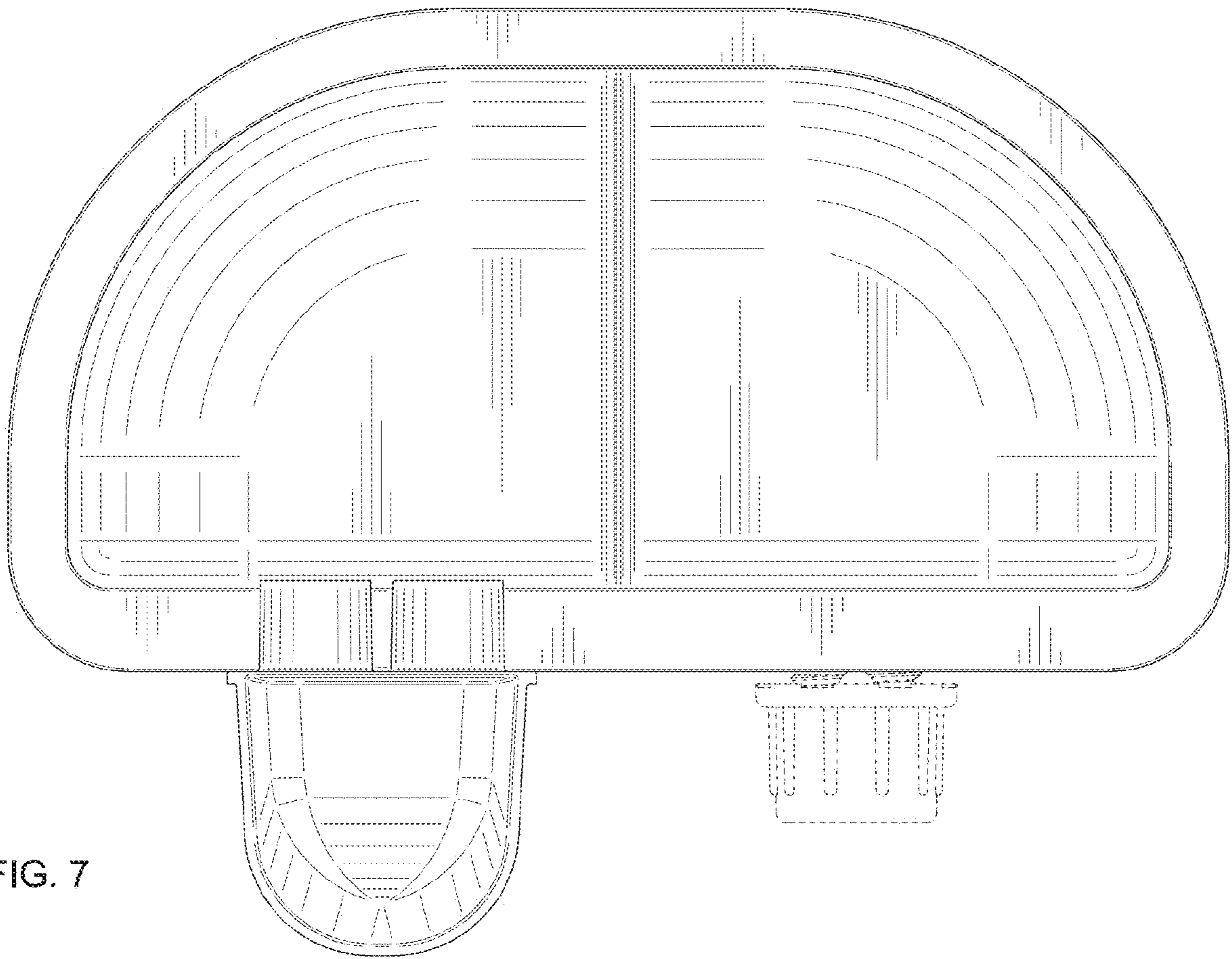


FIG. 7

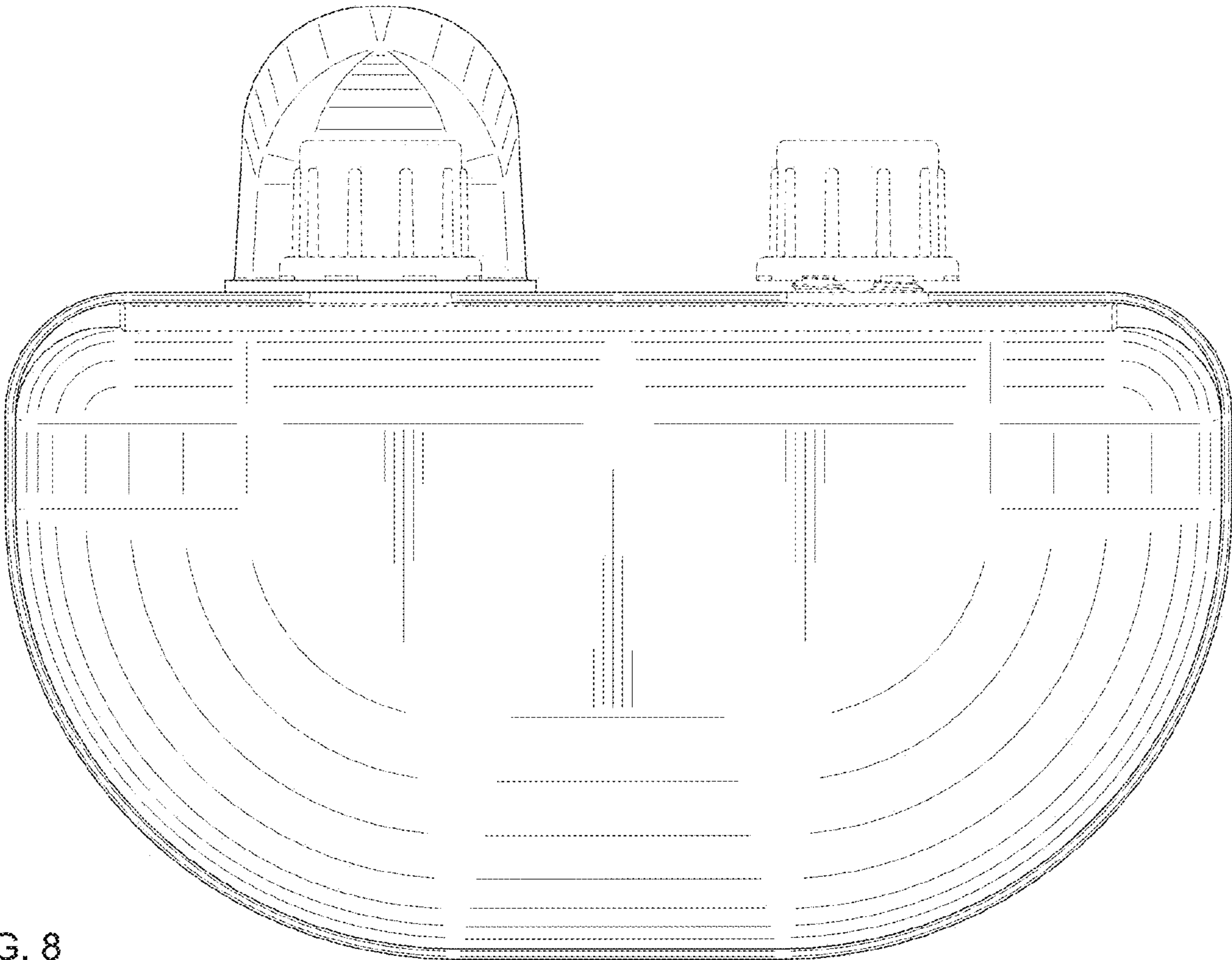


FIG. 8