



US00D870397S

(12) **United States Design Patent** (10) **Patent No.:** **US D870,397 S**
Veness (45) **Date of Patent:** **** Dec. 17, 2019**

(54) **PET FEEDER**

(71) Applicant: **Doskocil Manufacturing Company, Inc.**, Arlington, TX (US)

(72) Inventor: **David Veness**, Fort Worth, TX (US)

(73) Assignee: **DOSKOCIL MANUFACTURING COMPANY, INC.**, Arlington, TX (US)

(**) Term: **15 Years**

(21) Appl. No.: **29/597,860**

(22) Filed: **Mar. 21, 2017**

Related U.S. Application Data

(63) Continuation of application No. 29/595,803, filed on Mar. 2, 2017.

(51) **LOC (12) Cl.** **30-03**

(52) **U.S. Cl.**

USPC **D30/130; D30/129; D30/121; D30/131**

(58) **Field of Classification Search**

USPC D30/121, 122, 129-133, 127, 124, 199, D30/119; 119/61.5, 51.01, 61.56, 51.03, 119/59, 62, 63, 51.5, 57.8, 74, 61.54, 119/61.55, 71, 61.57, 477, 454, 515, 464, 119/72.5, 77, 55, 710, 52.3, 56.1, 53, 119/52.1, 58, 76, 72; 312/204, 327; 248/151, 188, 222.14, 210, 102, 105, 106, 248/104, 311.2, 313, 316.5, 108, 302, 248/311.3; 108/156, 153.1-157; 220/23.87, 630, 737, 743, 9.4, 495.01, 220/574, 212, 255, 23.83, 482, 758, 671, 220/769, 776, 904, 751, 770; 206/515, 206/524.5; D7/586, 543, 550.1, 587, 505, D7/584, 545, 500, 553.1-553.8, 546, 555, D7/556, 504, 565, 562, 602, 701, 702, D7/706, 707; D9/429; 43/109;

(Continued)

(56) **References Cited**

U.S. PATENT DOCUMENTS

D5,398 S * 12/1871 Jackson D30/131
 487,003 A * 11/1892 Doolan A01K 5/01
 119/61.3

(Continued)

Primary Examiner — Susan Moon Lee

(74) *Attorney, Agent, or Firm* — Global IP Counselors, LLP

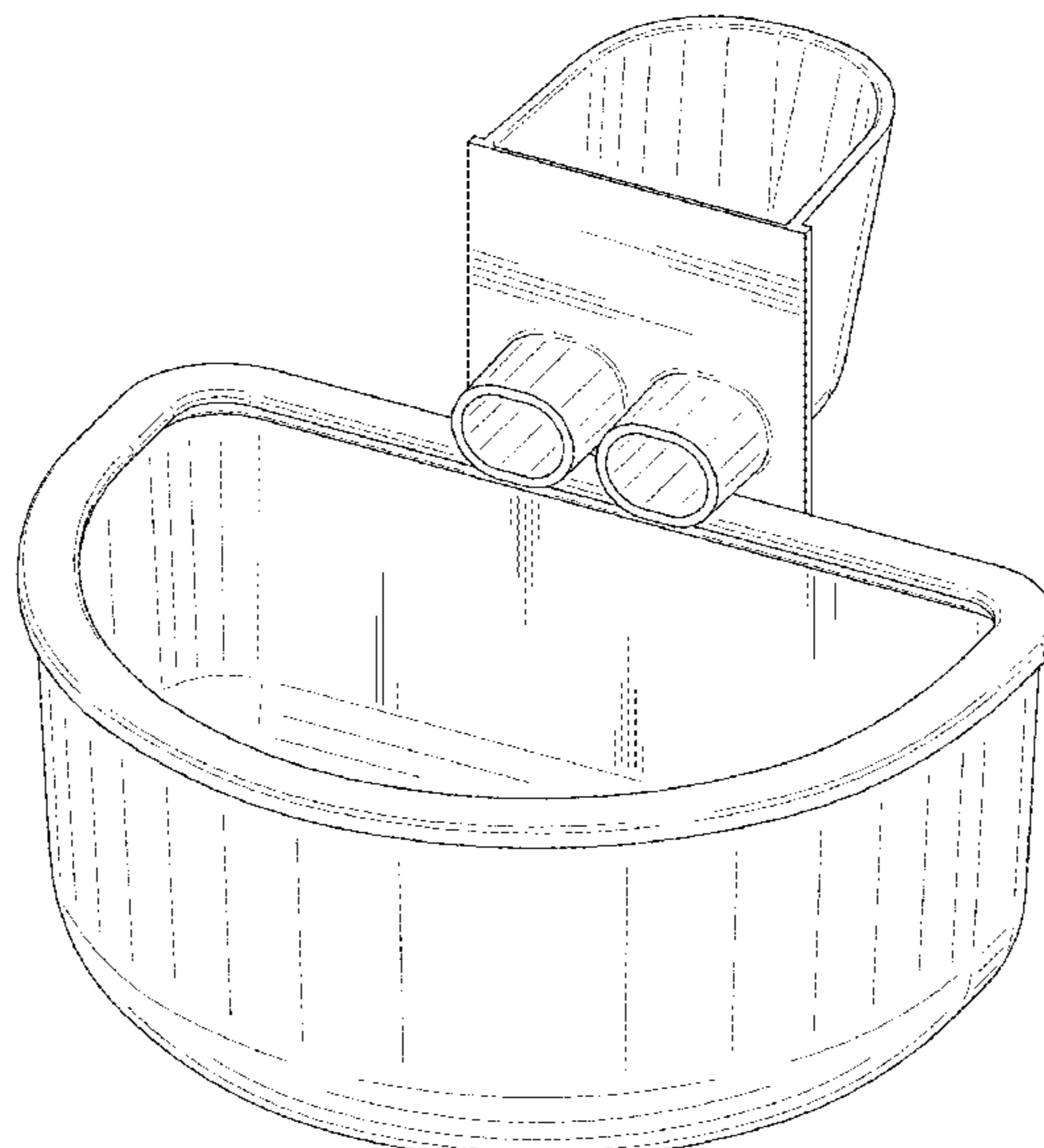
(57) **CLAIM**

The ornamental design for a pet feeder, as shown and described.

DESCRIPTION

FIG. 1 is a back perspective view of a first embodiment of a pet feeder in accordance with my new design;
 FIG. 2 is a front perspective view thereof;
 FIG. 3 is a back view thereof;
 FIG. 4 is a front view thereof;
 FIG. 5 is a right side view thereof;
 FIG. 6 is a left side view thereof;
 FIG. 7 is a top view thereof;
 FIG. 8 is a bottom view thereof;
 FIG. 9 is a back perspective view of a second embodiment of a pet feeder in accordance with my new design;
 FIG. 10 is a front perspective view thereof;
 FIG. 11 is a back view thereof;
 FIG. 12 is a front view thereof;
 FIG. 13 is a right side view thereof;
 FIG. 14 is a left side view thereof;
 FIG. 15 is a top view thereof; and,
 FIG. 16 is a bottom view thereof.
 The broken lines depict environmental subject matter, are for illustration only, and form no part of the claimed design.

1 Claim, 16 Drawing Sheets



(58) **Field of Classification Search**

USPC D22/122; 99/430, DIG. 15; D32/53;
 222/465.1; 242/598.5; 224/414, 926;
 D12/411; D6/553, 450; D8/395, 396;
 D24/199, 198; 211/74, 75; D23/266;
 273/394, 338, 127 B, 447, 127 R
 CPC A01K 5/00; A01K 5/01; A01K 5/0107;
 A01K 5/0114-0142; A01K 7/00; A01K
 7/005; A01K 7/025; A01K 7/027; A01K
 9/00; A01K 9/005; A01K 1/10; A47B
 73/00; A47B 73/006; A47B 73/002; A47B
 73/008; A61J 9/06; A61J 9/0607; A61J
 9/0638; A61J 9/0676; A61J 9/0684; A61J
 9/063; A61J 9/0661; A61J 9/0653; A63B
 67/06; A63B 63/00; A63B 2067/065
 See application file for complete search history.

(56) **References Cited**

U.S. PATENT DOCUMENTS

537,761 A * 4/1895 Erskine A01K 1/10
 119/60
 D24,952 S * 12/1895 Denny D30/131
 757,645 A * 4/1904 Bassett 224/604
 1,881,065 A * 10/1932 Shirley A01K 5/01
 119/61.4
 2,278,401 A * 3/1942 Micari A47K 5/02
 248/231.81
 2,675,782 A * 4/1954 Lage A01K 5/01
 119/61.1
 D302,050 S * 7/1989 Ingrisani D27/104
 5,261,577 A * 11/1993 Goldstein B44D 3/12
 220/23.83
 D383,252 S * 9/1997 Pearce D30/119

D444,278 S * 6/2001 Myers, Jr. D32/54
 D557,413 S * 12/2007 Buermann D24/123
 D561,955 S * 2/2008 McDonough D30/119
 D610,408 S * 2/2010 Paolini D7/500
 7,681,525 B1 * 3/2010 Trulove A01K 5/01
 119/58
 D618,414 S * 6/2010 Bechtold, Jr. D32/54
 D625,961 S * 10/2010 Kent D7/545
 D694,905 S * 12/2013 Brown D24/224
 D706,671 S * 6/2014 Thuma D11/152
 D707,402 S * 6/2014 Halderman D30/121
 8,827,104 B2 * 9/2014 Hickox A47G 23/0633
 220/23.83
 D727,107 S * 4/2015 Parodi, Jr. D7/396.2
 D727,111 S * 4/2015 Henry D7/620
 D727,112 S * 4/2015 Henry D7/620
 9,119,490 B1 * 9/2015 Parodi, Jr. A47G 19/2205
 D759,332 S * 6/2016 Basmajian D34/1
 D782,143 S * 3/2017 Divizinskiy D34/1
 D805,816 S * 12/2017 Gale D6/683
 D825,273 S * 8/2018 Liming D7/602
 D835,357 S * 12/2018 McIntyre D30/131
 2008/0035655 A1 * 2/2008 Baumgartner A01K 5/01
 220/751
 2008/0237153 A1 * 10/2008 Nicastle A01K 7/00
 210/806
 2010/0058820 A1 * 3/2010 Gurb A01K 1/10
 70/267
 2011/0084087 A1 * 4/2011 Scribner A01G 9/022
 220/751
 2012/0160177 A1 * 6/2012 Dalrymple A01K 5/01
 119/61.1
 2012/0288262 A1 * 11/2012 Clark, Jr. A01K 7/027
 392/444
 2018/0049404 A1 * 2/2018 Crews A01K 5/0107
 2019/0059626 A1 * 2/2019 Ellis A47H 27/00

* cited by examiner

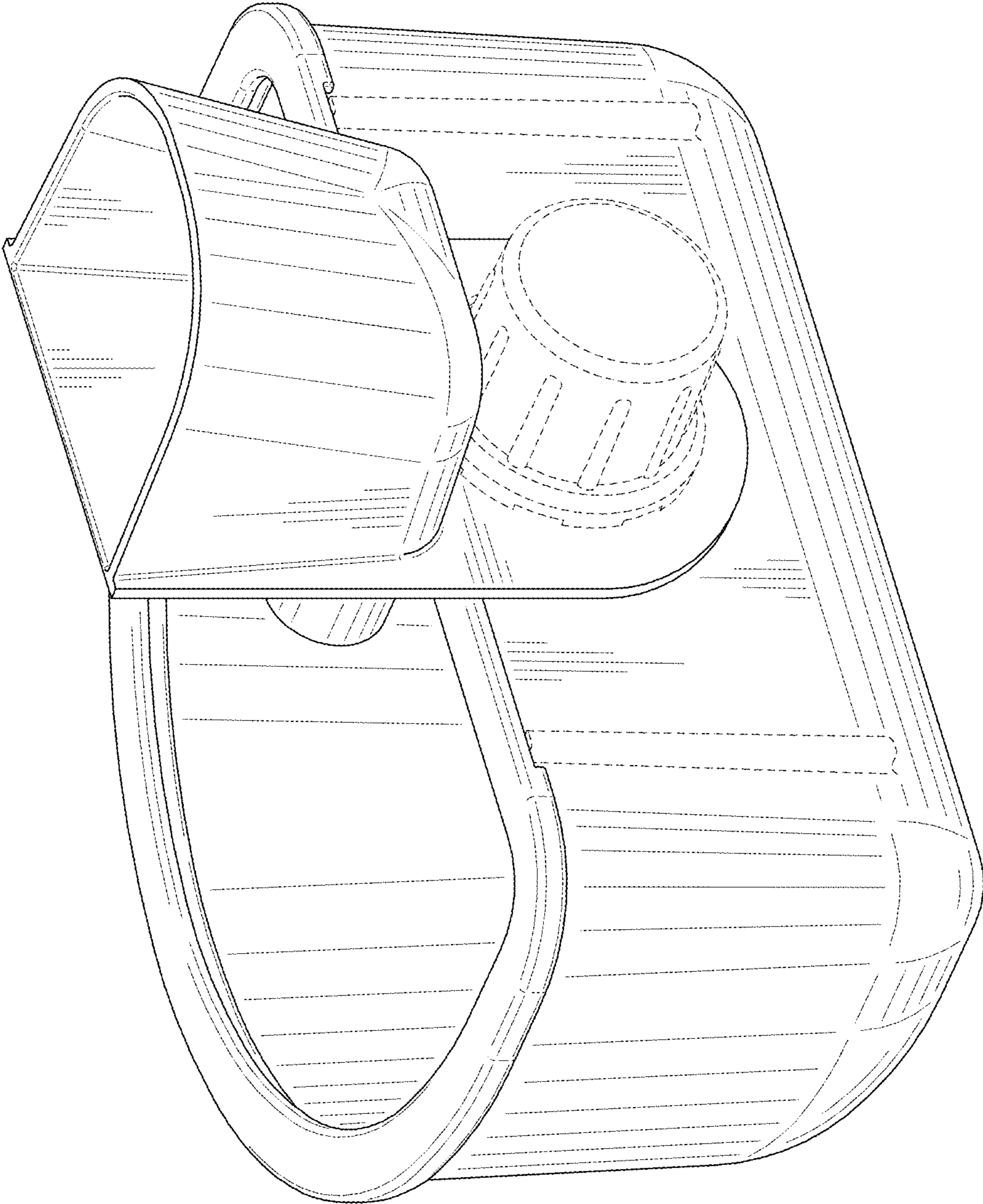


FIG. 1

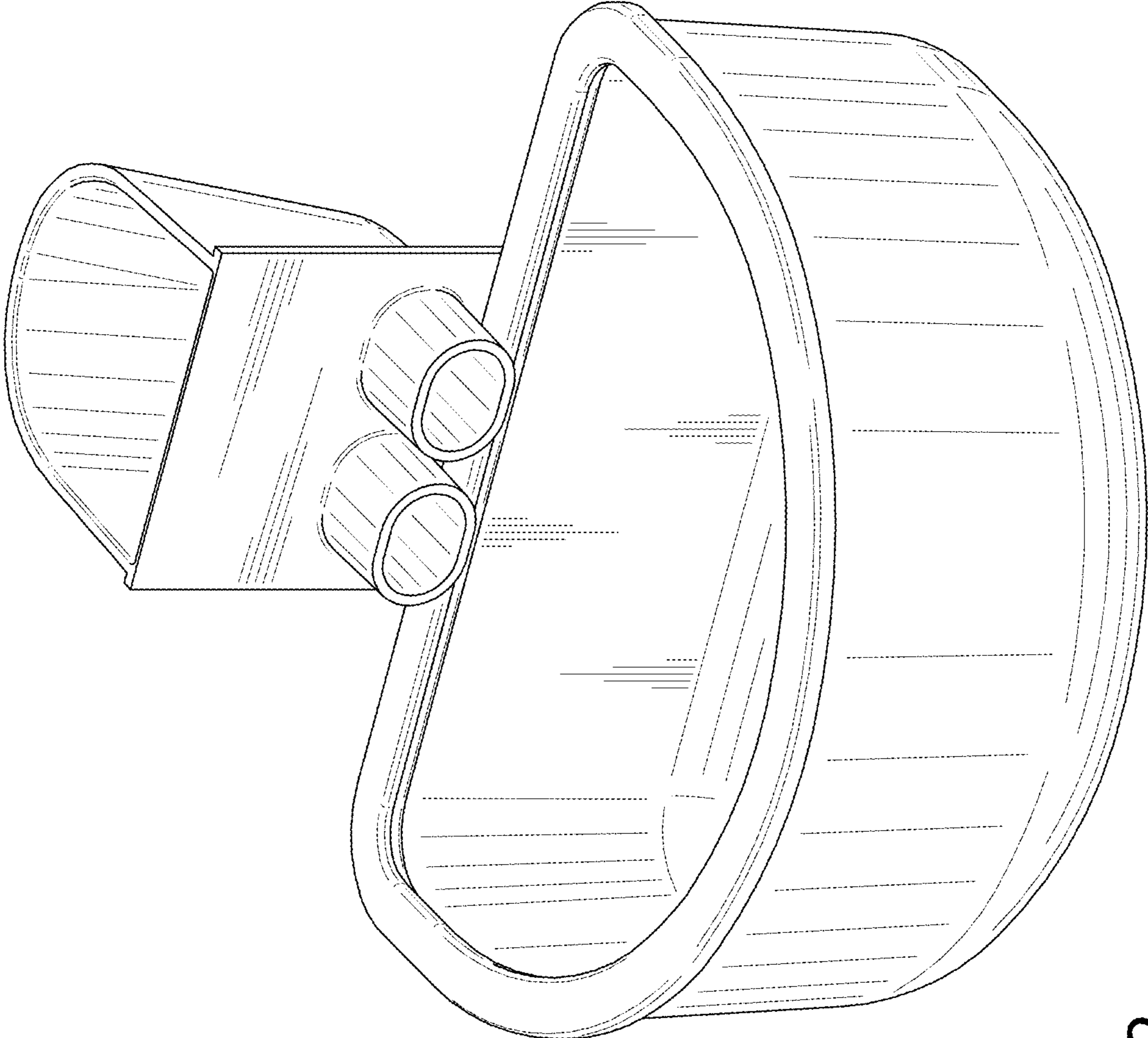


FIG. 2

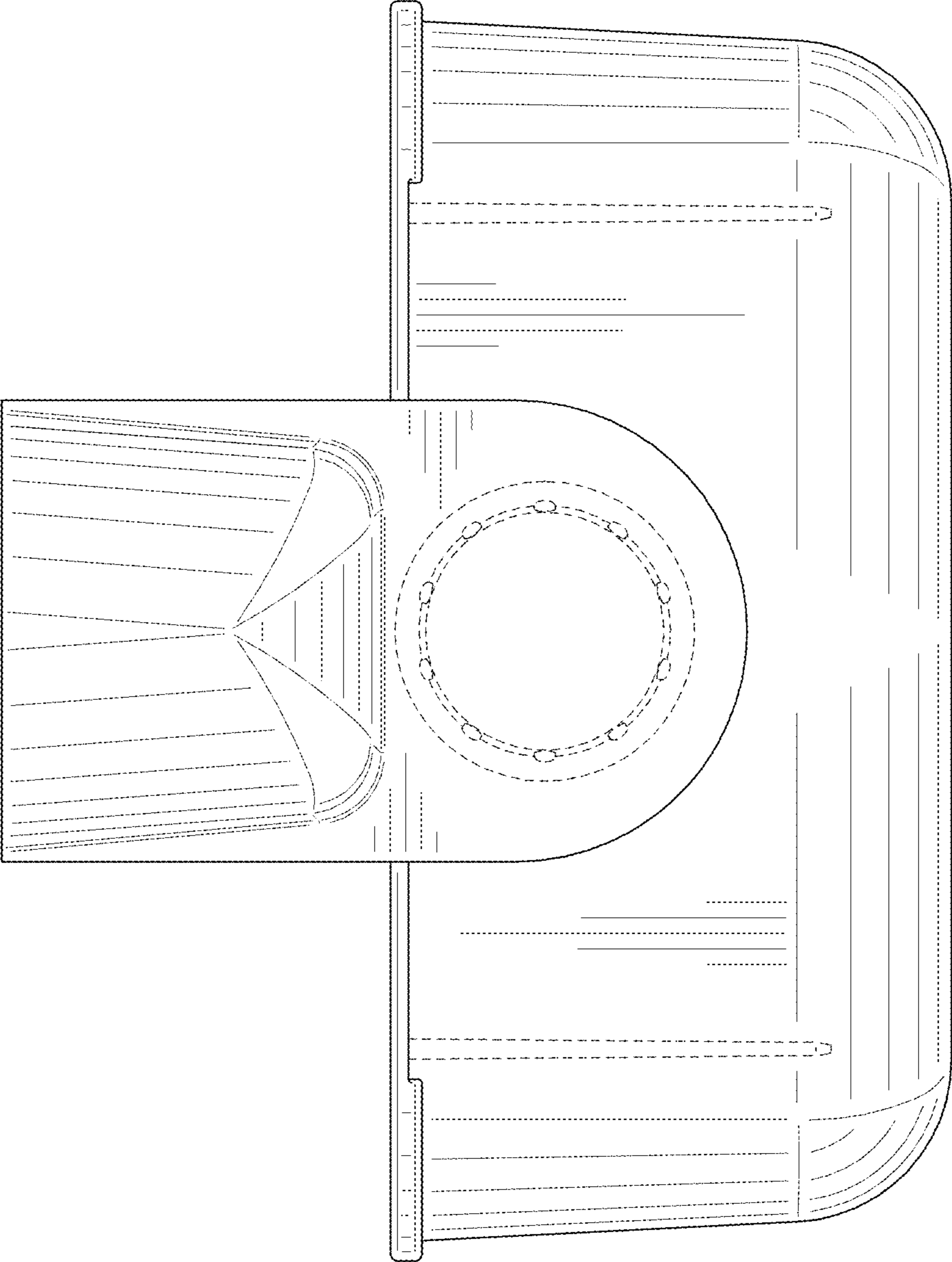


FIG. 3

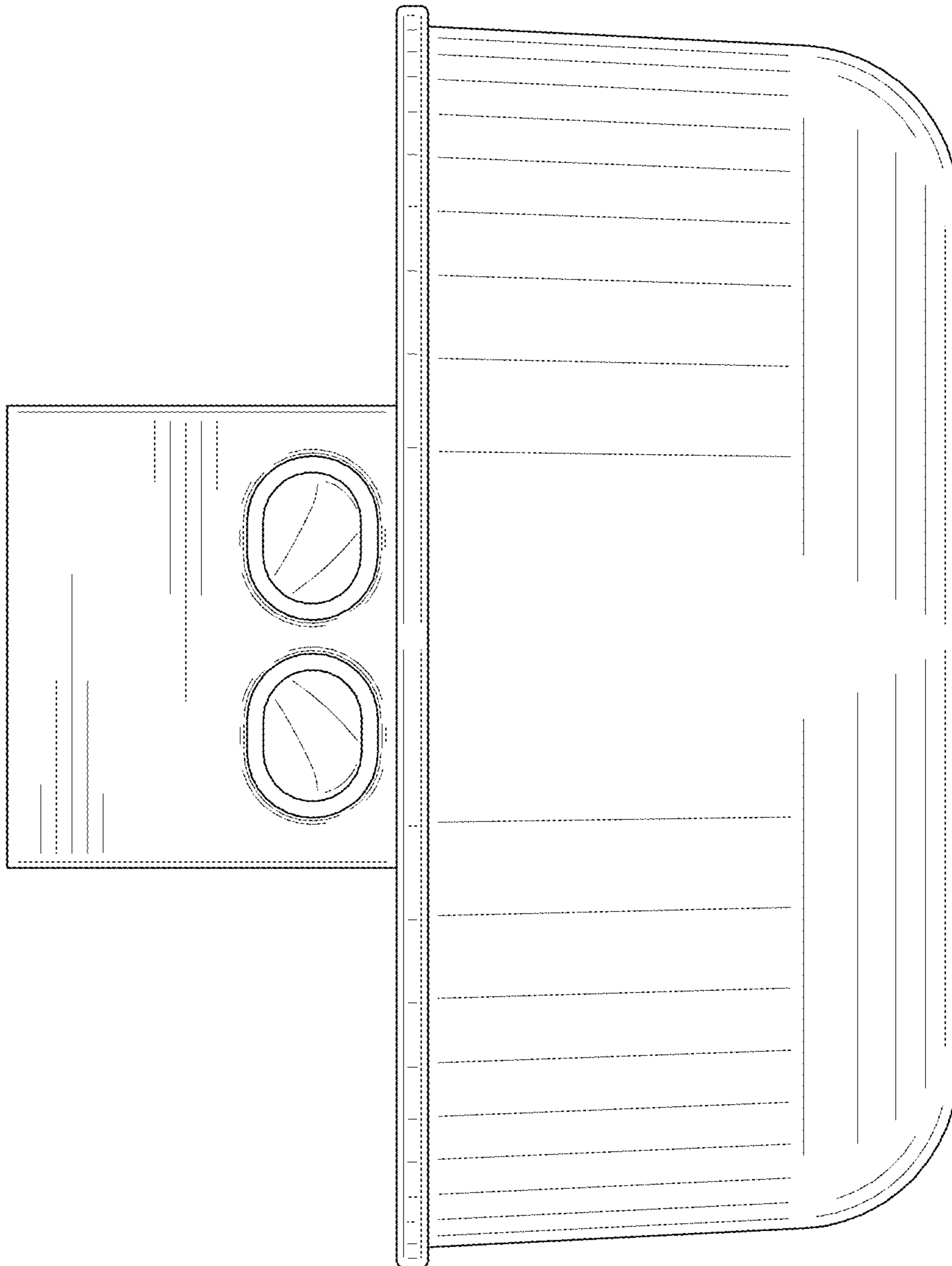


FIG. 4

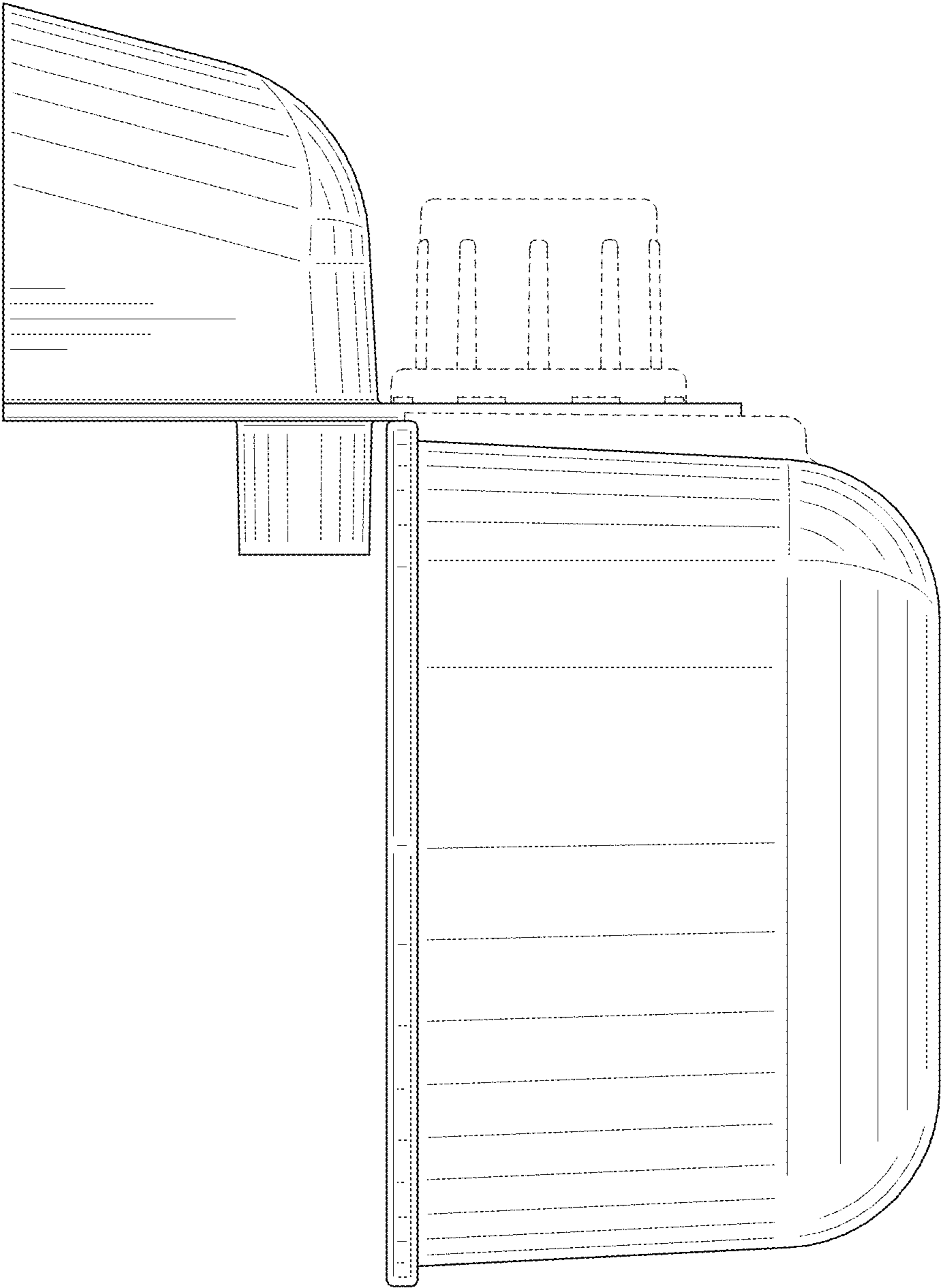


FIG. 5

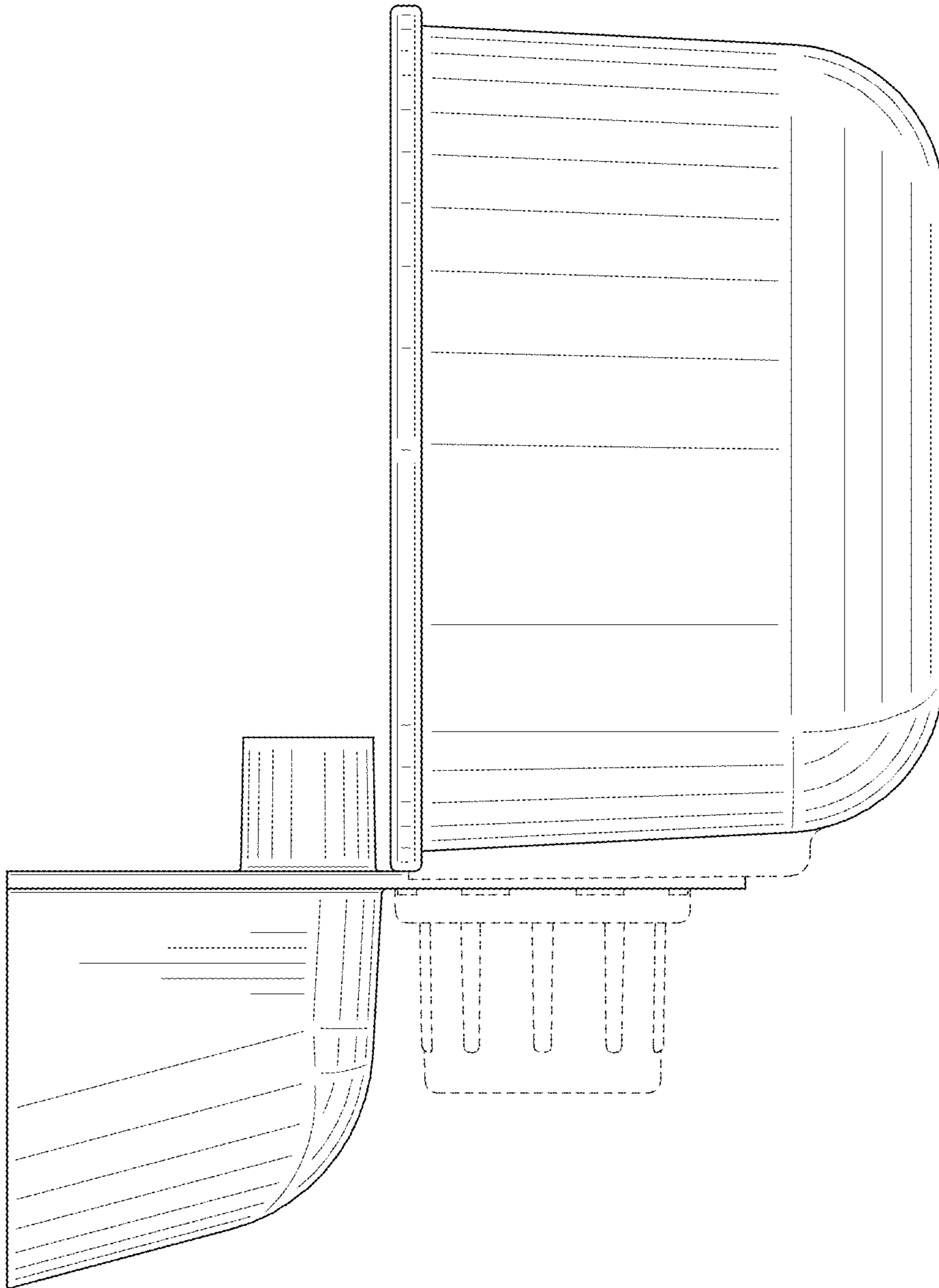


FIG. 6

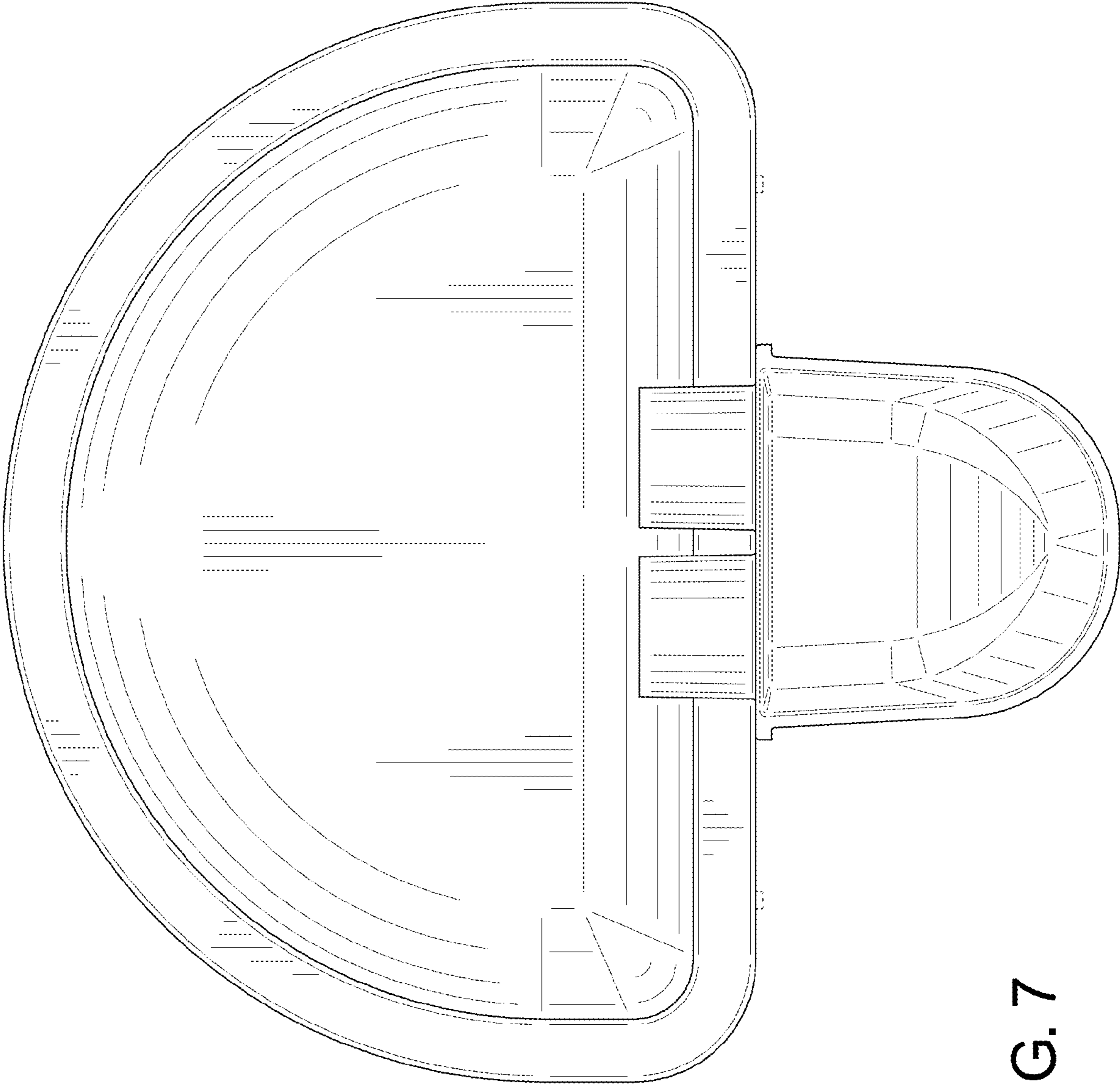


FIG. 7

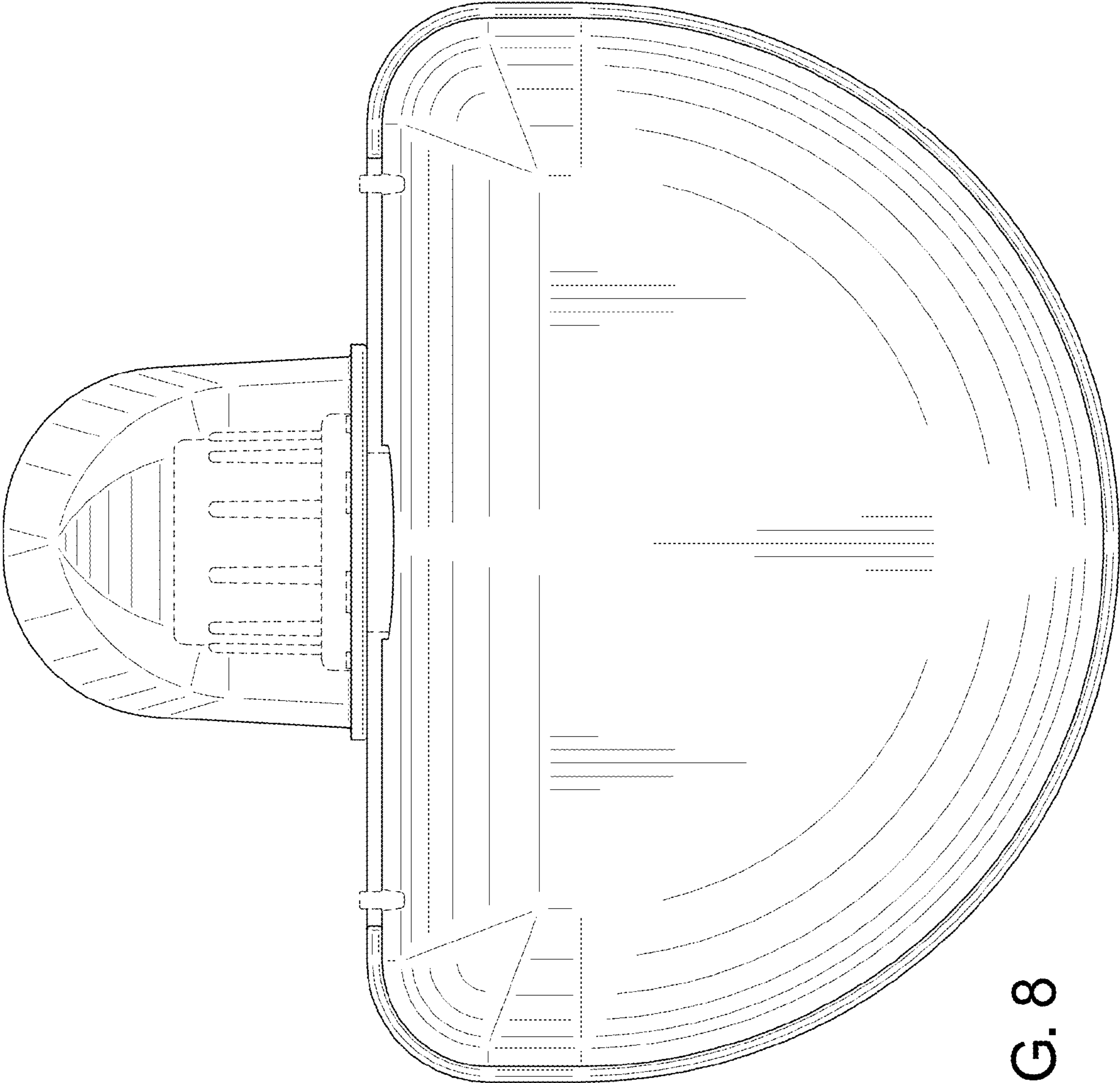


FIG. 8

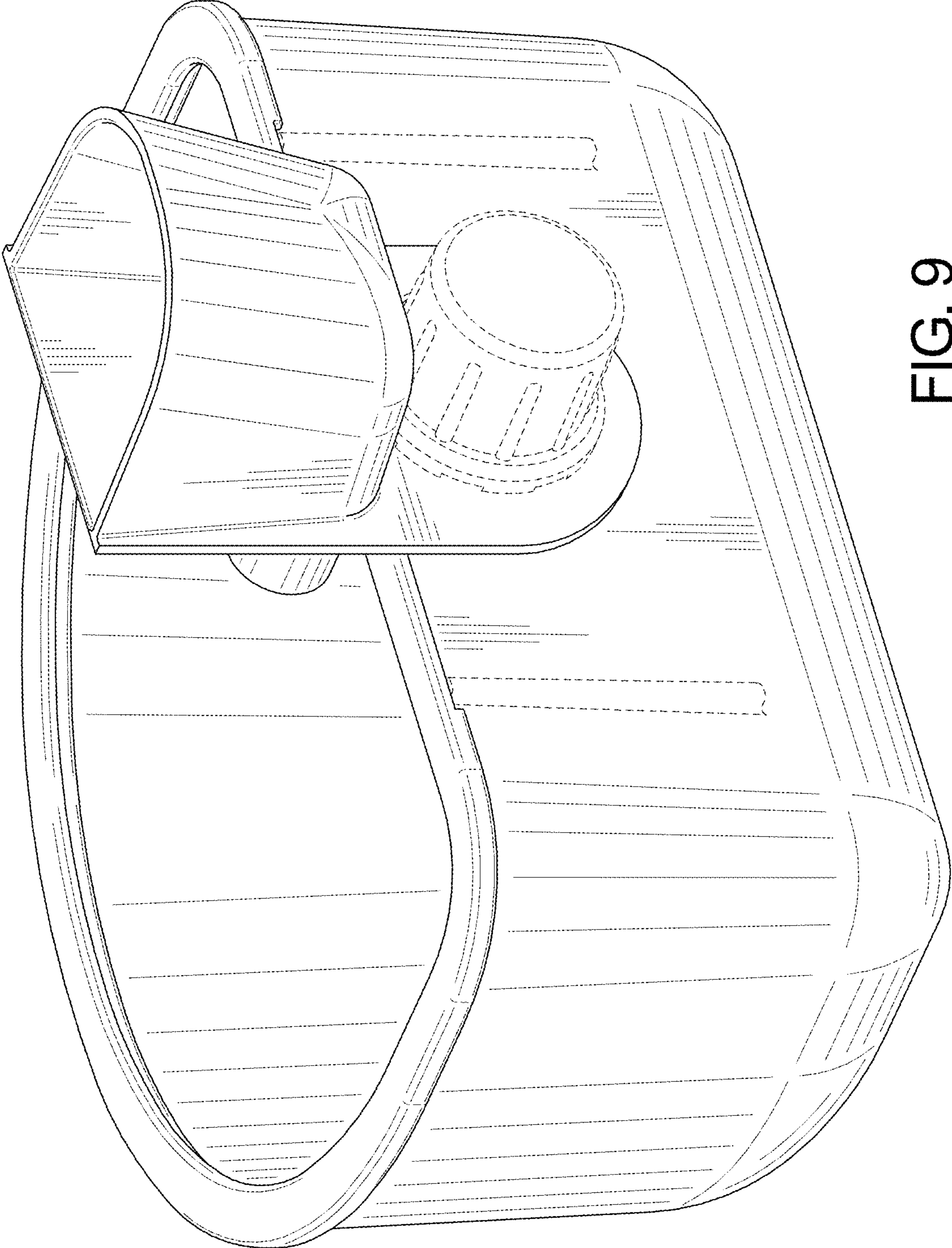


FIG. 9

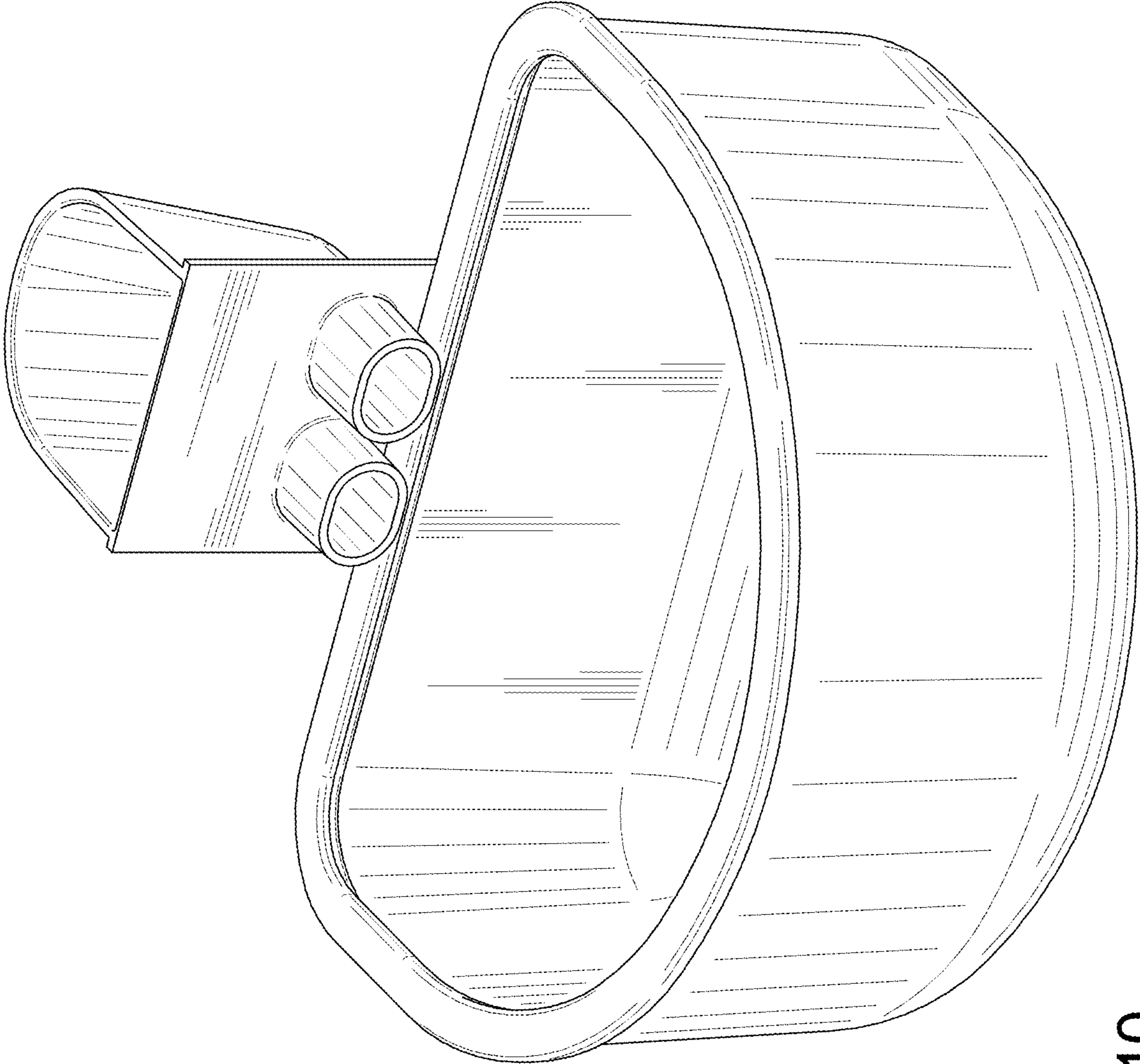


FIG. 10

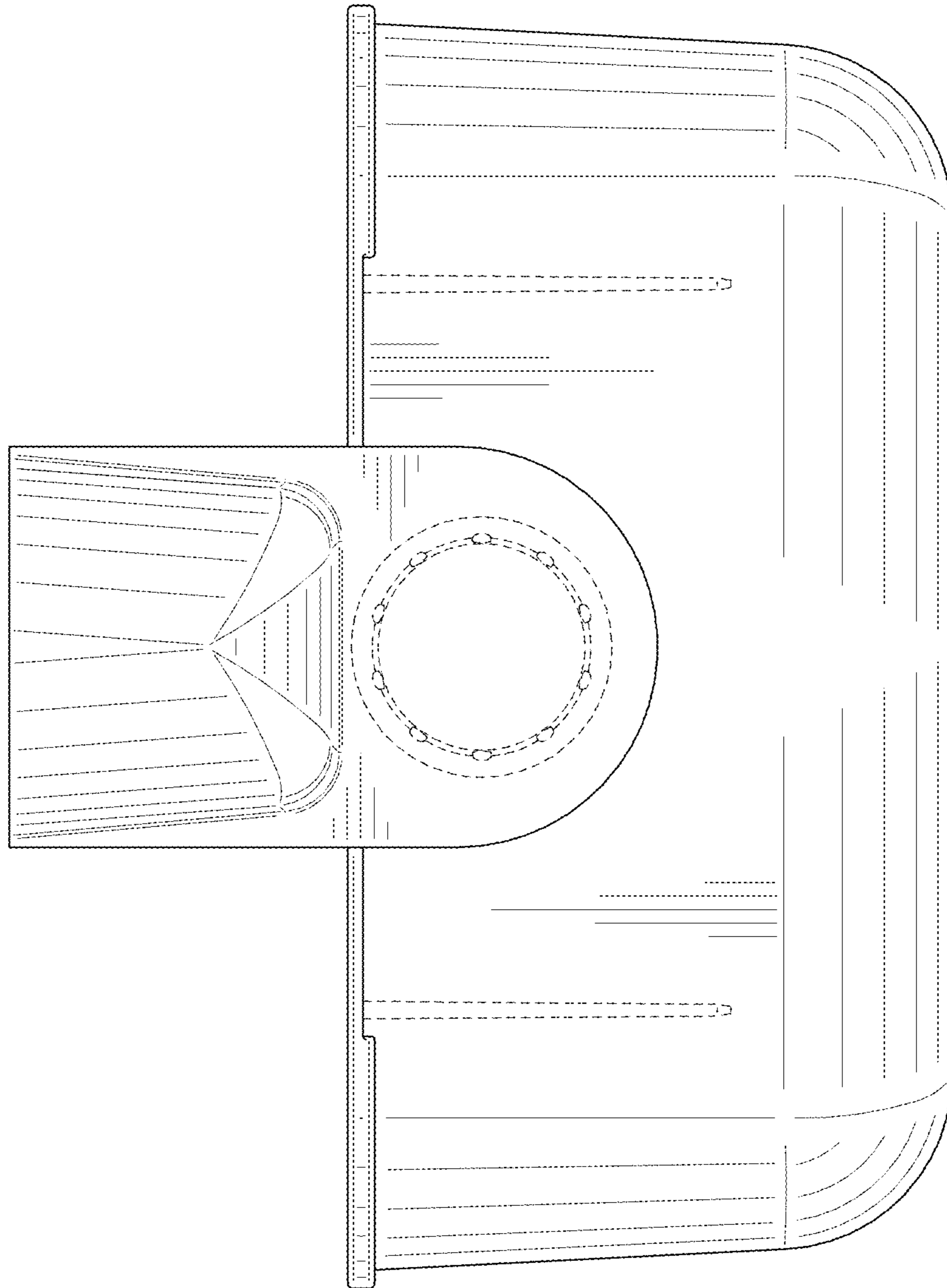


FIG. 11

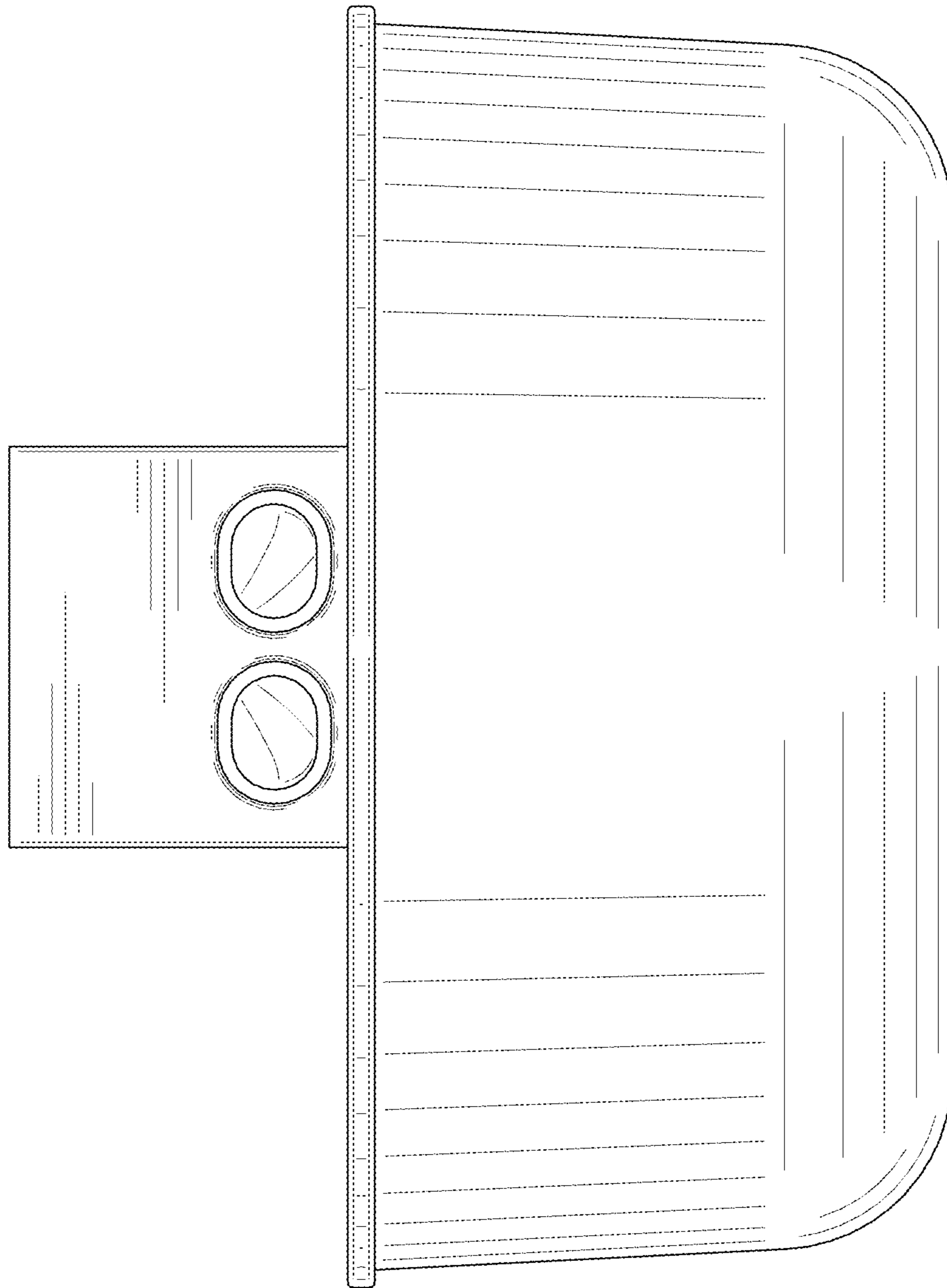


FIG. 12

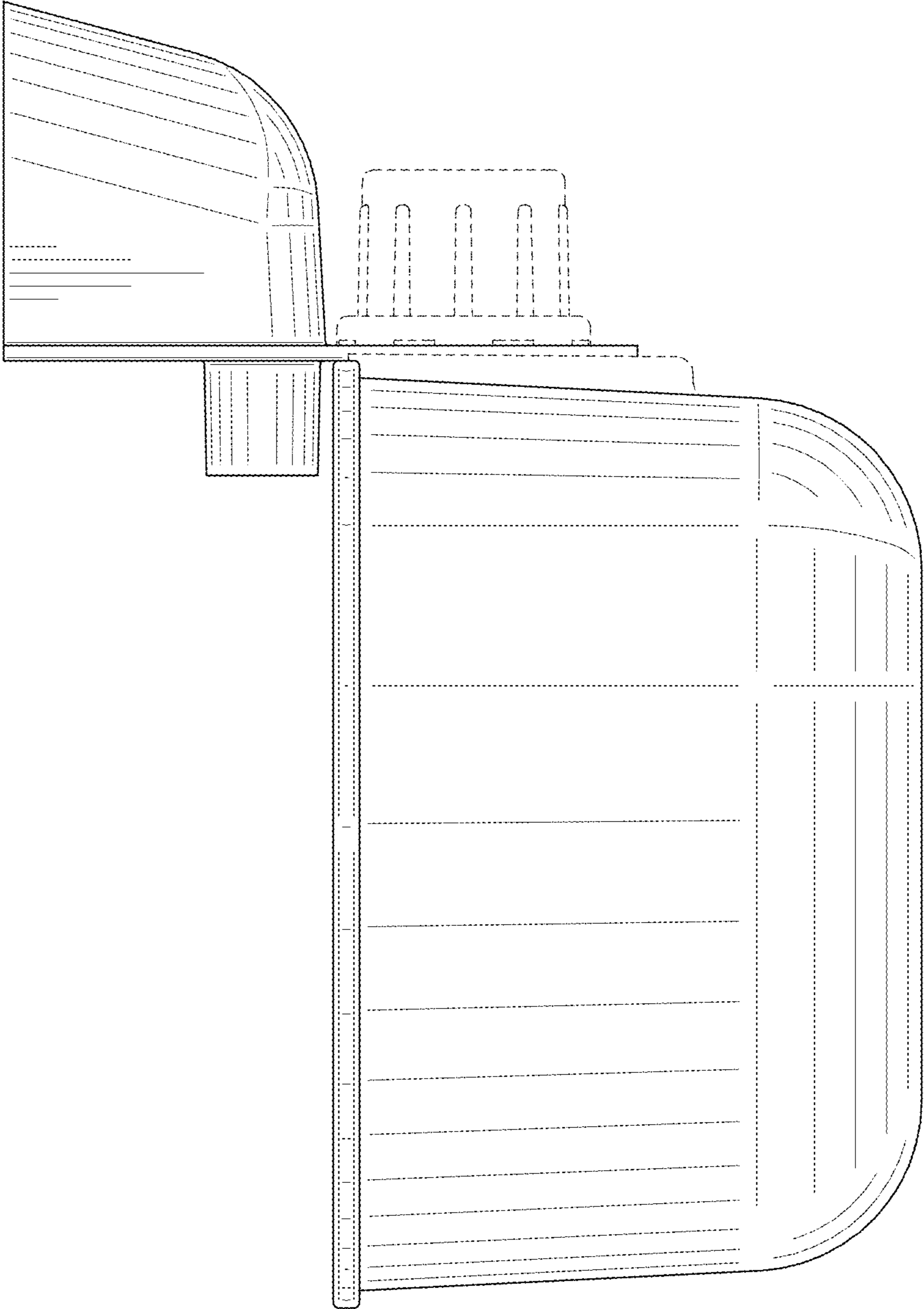


FIG. 13

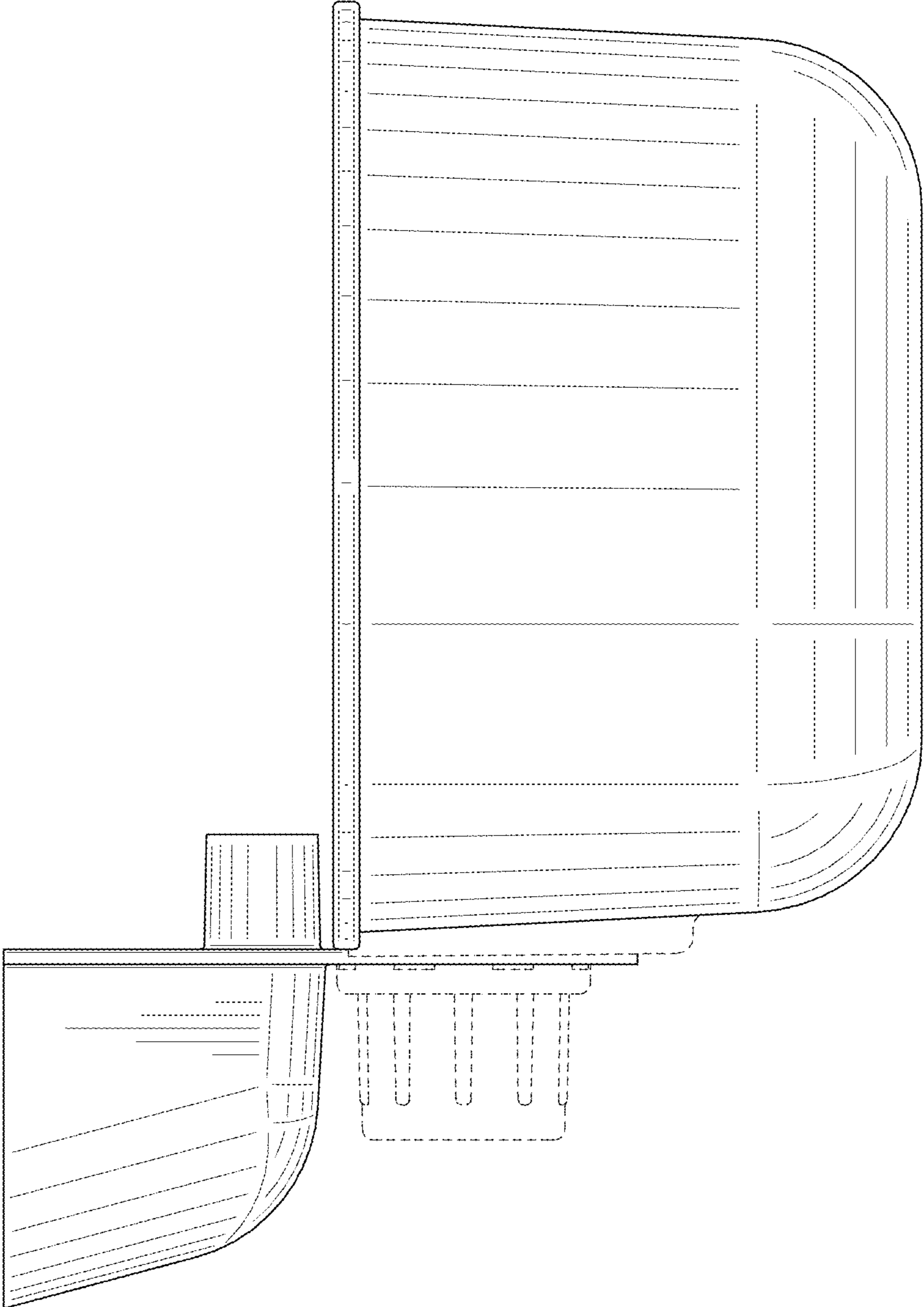


FIG. 14

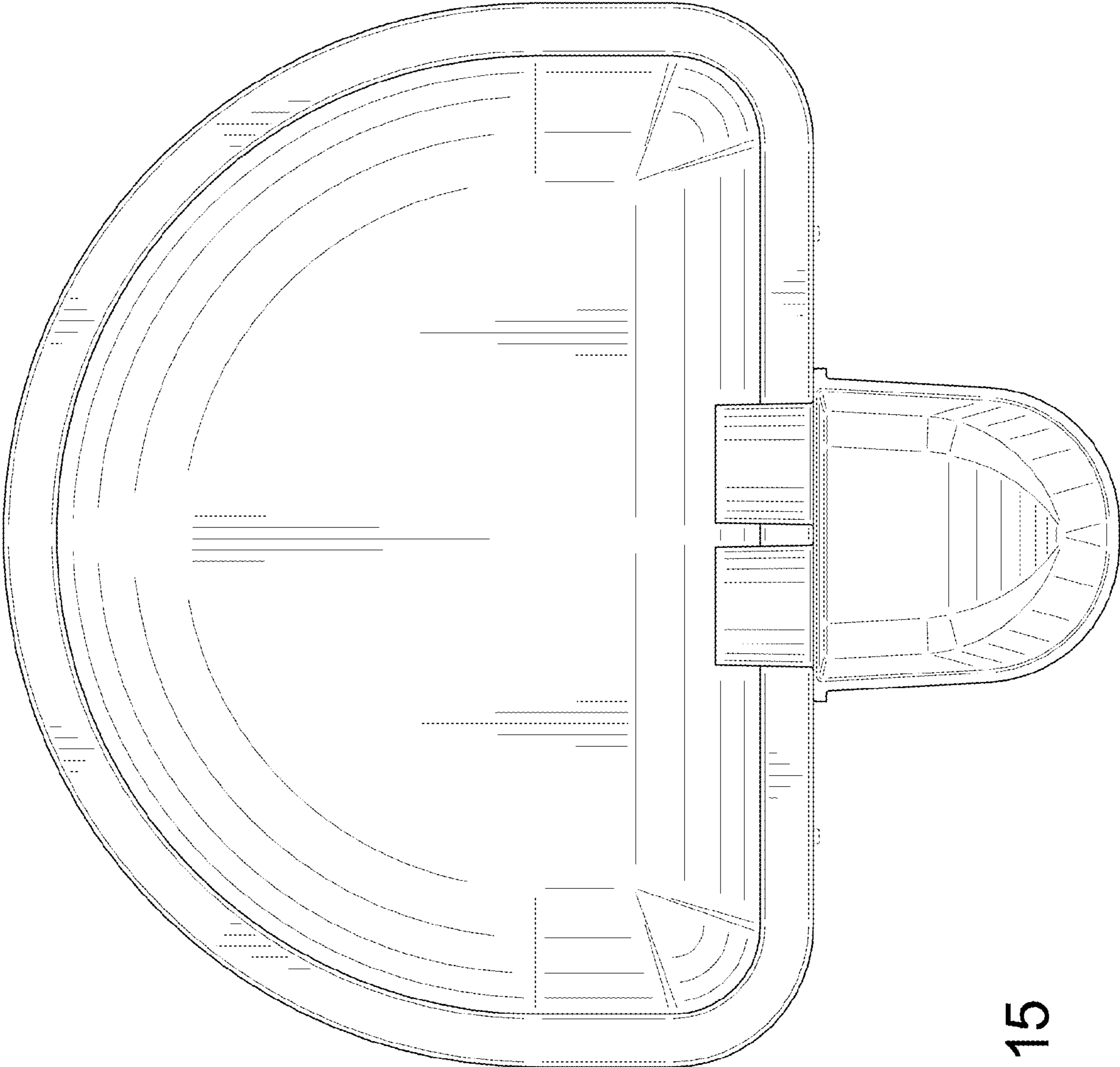


FIG. 15

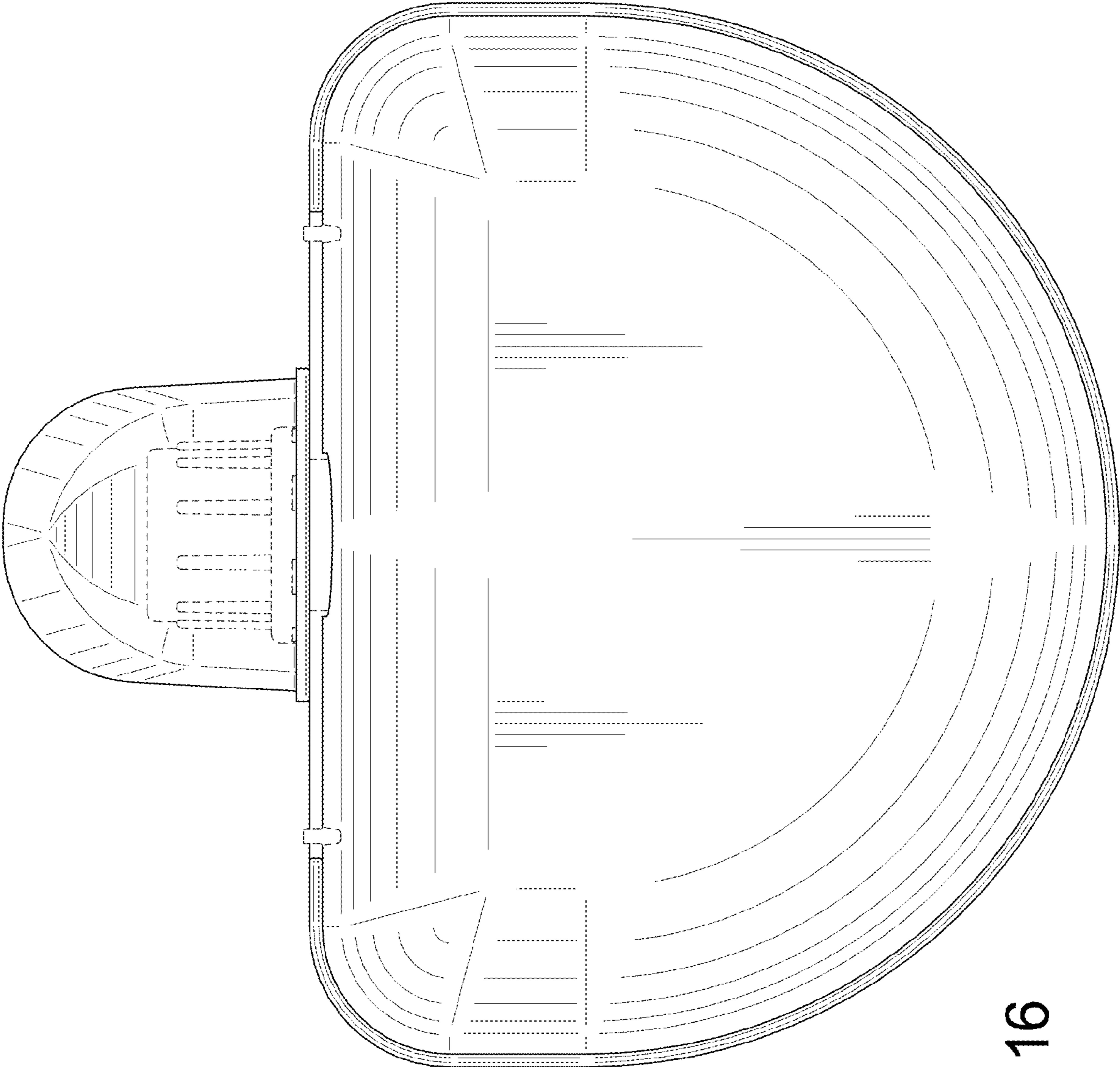


FIG. 16