



US00D870393S

(12) **United States Design Patent** (10) **Patent No.:** **US D870,393 S**
Lenzi et al. (45) **Date of Patent:** **** Dec. 17, 2019**

(54) **TRANSPORT BOX FOR ANIMALS**

D524,996 S * 7/2006 Delino D30/109
D551,810 S 9/2007 Yeung
D571,054 S * 6/2008 Donnelly D30/108
(Continued)

(71) Applicant: **BRUEGGLI**, Romanshorn (CH)

(72) Inventors: **Arno Lenzi**, Zurich (CH); **Daniel Iranyi**, Steinhausen (CH); **Luca Loertscher**, Zurich (CH); **Miriam Nietlispach**, Aarau (CH)

(73) Assignee: **BRUEGGLI**, Romanshorn (CH)

(**) Term: **15 Years**

(21) Appl. No.: **29/698,366**

(22) Filed: **Jul. 16, 2019**

OTHER PUBLICATIONS

“4pets’ Penthouse Carrier”. Found online Apr. 4, 2019 at tribecraft.ch. Page dated circa 2013. Retrieved from <https://www.tribecraft.ch/en/craft/works/penthouse>.

(Continued)

Primary Examiner — George D. Kirschbaum

Assistant Examiner — Kendra Leslie Hamilton

(74) *Attorney, Agent, or Firm* — Caesar Rivise, PC

(57) **CLAIM**

The ornamental design for a transport box for animals, as shown and described.

Related U.S. Application Data

(63) Continuation of application No. 35/505,251 (U.S. filing date under 35 U.S.C. 384), and having an international filing date of Jun. 18, 2018.

Foreign Application Priority Data

(30) Dec. 27, 2017 (EM) 004564938

(51) **LOC (12) Cl.** **30-02**

(52) **U.S. Cl.**
USPC **D30/109**

(58) **Field of Classification Search**
USPC D30/108, 109, 114, 115, 116, 117, 118,
D30/160

CPC A01K 1/0272; A01K 1/0245
See application file for complete search history.

References Cited

U.S. PATENT DOCUMENTS

D366,511 S * 1/1996 Coddington, Jr. D21/834
D451,647 S 12/2001 Chrisco et al.
6,523,499 B1 * 2/2003 Chrisco A01K 1/0245
119/496

DESCRIPTION

FIG. 1 is a front elevational view of transport box for animals showing our new design;

FIG. 2 is a back elevational view of the transport box for animals of FIG. 1;

FIG. 3 is a left side elevational view of the transport box for animals of FIG. 1;

FIG. 4 is a top plan view of the transport box for animals of FIG. 1;

FIG. 5 is a bottom plan view of the transport box for animals of FIG. 1;

FIG. 6 is a front top left perspective view of the transport box for animals of FIG. 1;

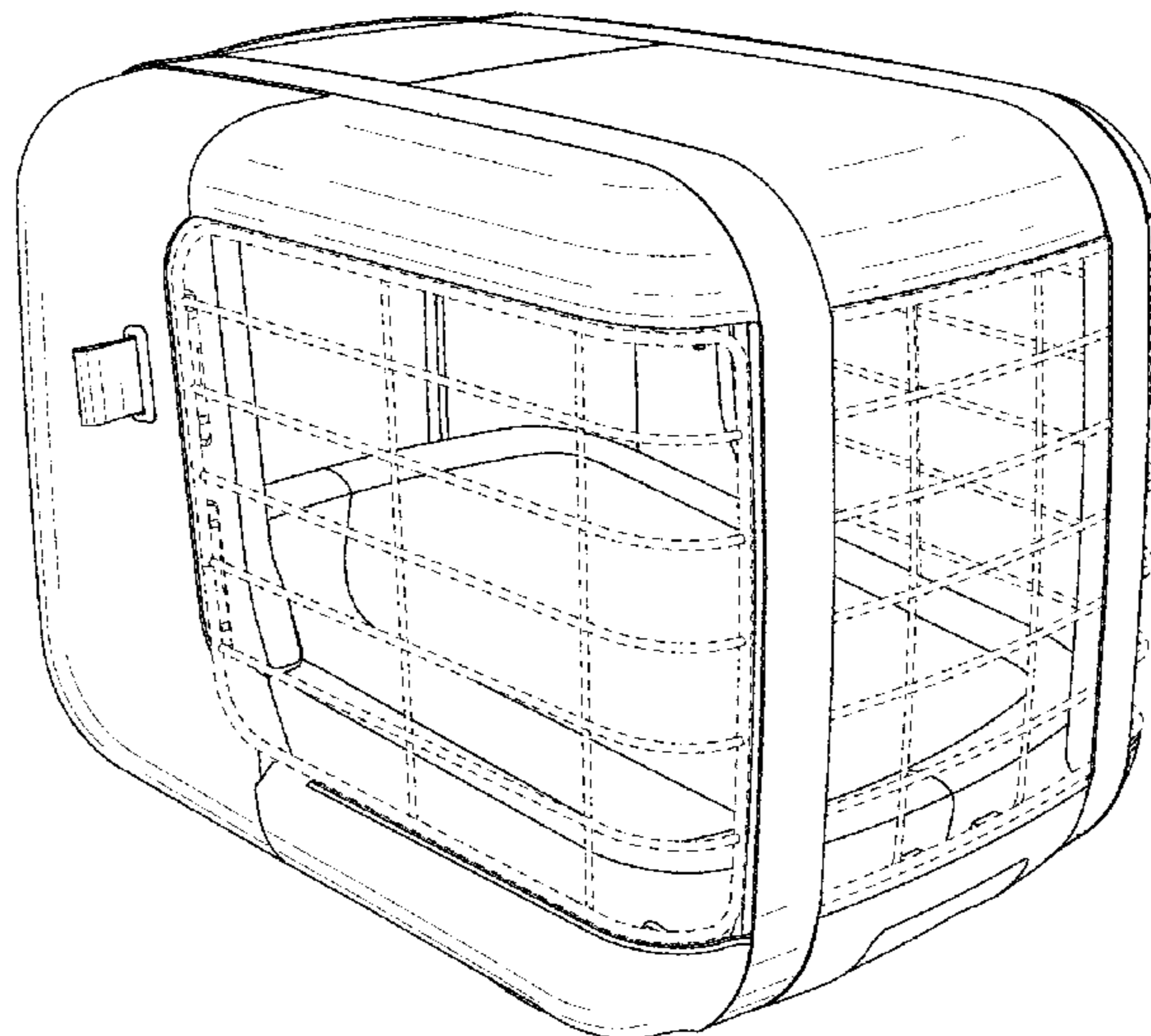
FIG. 7 is a front top right perspective view of the transport box for animals of FIG. 1;

FIG. 8 is a back top left perspective view of the transport box for animals of FIG. 1; and,

FIG. 9 is a back top right perspective view of the transport box for animals of FIG. 1.

The broken lines depict unclaimed subject matter that forms no part of the claimed design.

1 Claim, 9 Drawing Sheets



(56)

References Cited

U.S. PATENT DOCUMENTS

D583,108 S 12/2008 Richardson
 D678,623 S * 3/2013 Iranyi D30/109
 D701,652 S * 3/2014 Roberts D30/108
 D705,497 S * 5/2014 Renforth D30/108
 D707,896 S 6/2014 Renforth et al.
 D708,399 S 7/2014 Lipscomb
 D727,573 S * 4/2015 Eisen D30/109
 9,226,473 B2 * 1/2016 Hoffman A01K 1/0035
 10,010,049 B2 * 7/2018 Kellogg A01K 1/034
 D844,257 S 3/2019 Fasana
 D855,900 S * 8/2019 Lu D30/109
 2005/0284403 A1 12/2005 Delino
 2005/0284404 A1 * 12/2005 Pomakoy-Poole
 A01K 1/0245
 119/497
 2005/0284405 A1 12/2005 Pomakoy-Poole et al.
 2009/0314219 A1 12/2009 Bryson
 2010/0139573 A1 6/2010 Wilson et al.
 2011/0056441 A1 * 3/2011 Chang A01K 1/0245
 119/453

2014/0352625 A1 12/2014 Reginhard
 2017/0318774 A1 11/2017 Taylor et al.
 2019/0075753 A1 3/2019 Stoffel et al.

OTHER PUBLICATIONS

“Pet Magasin Collapsible Hard Cover Pet Carrier”. Found online Apr. 4, 2019 at amazon.co.uk. Page dated Mar. 1, 2017. Retrieved from https://www.amazon.co.uk/Pet-Magasin-Collapsible-Cover-Carrier/dp/BO1KAWUHQY/ref=sr_1_89sspa?keywords=car+crate&qid=1554419517&s=pets-supplies&sr=1-89-spons&psc=1.
 “Atlas Car Pet Carrier”. Found online Apr. 4, 2019 at amazon.co.uk. Page dated Oct. 28, 2007. Retrieved from https://www.amazon.co.uk/Atlas-Car-100-Pet-Carrier/dp/BOOOM3YAEM/ref=sr_1_30?keywords=car+crate&qid=1554419488&s=pets-supplies&sr=1-30.
 “Catit Design Cat Cabrio Multi-Functional Carrier System”. Found online Apr. 4, 2019 at amazon.co.uk. Page dated Aug. 8, 2009. Retrieved from https://www.amazon.co.uk/Catit-Design-Carrier-Airline-Approved/dp/B002RLE13M/ref=sr_1_77?keywords=car+crate&qid=1554419517&s=pets-supplies&sr=1-77.

* cited by examiner

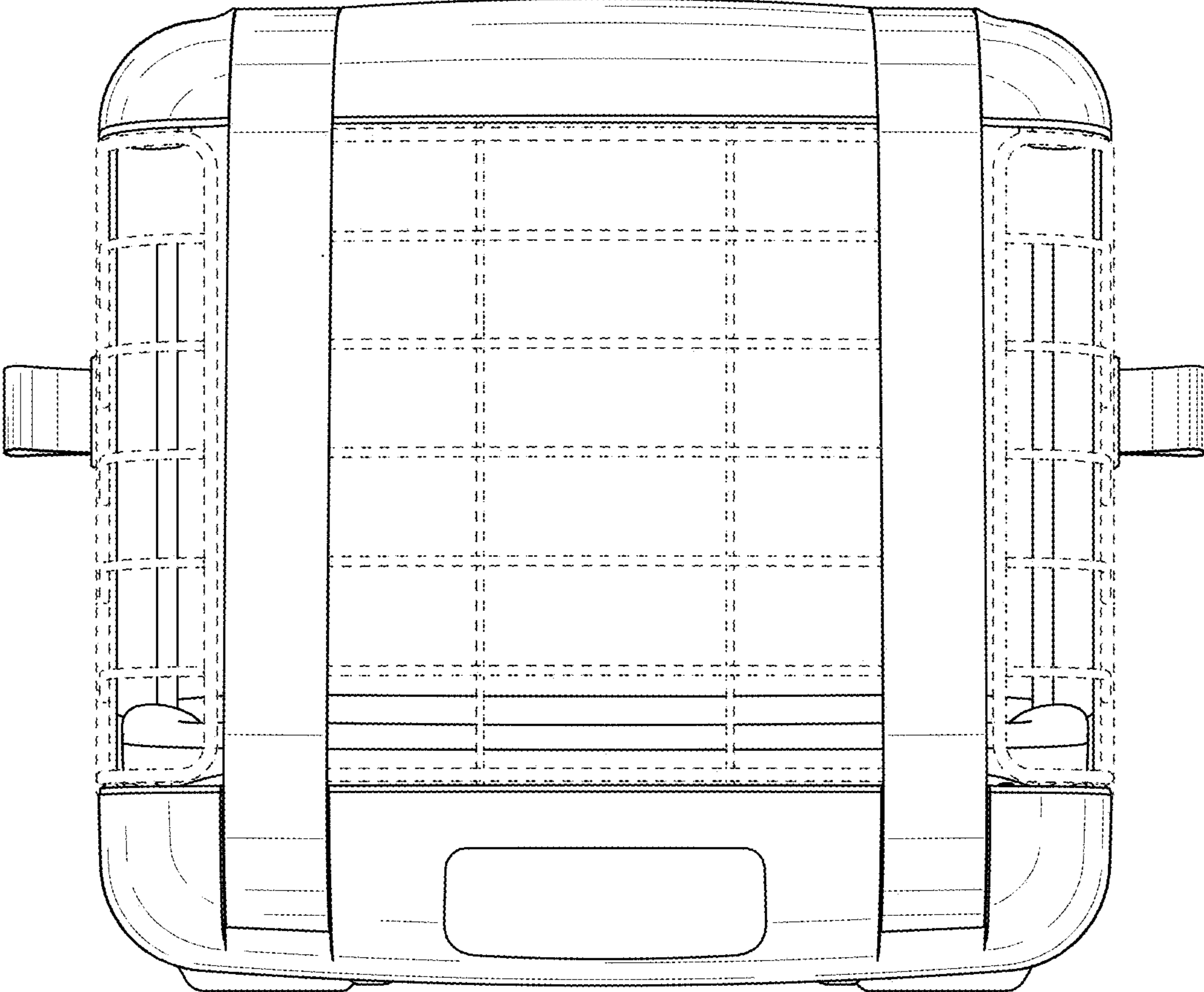


FIG. 1

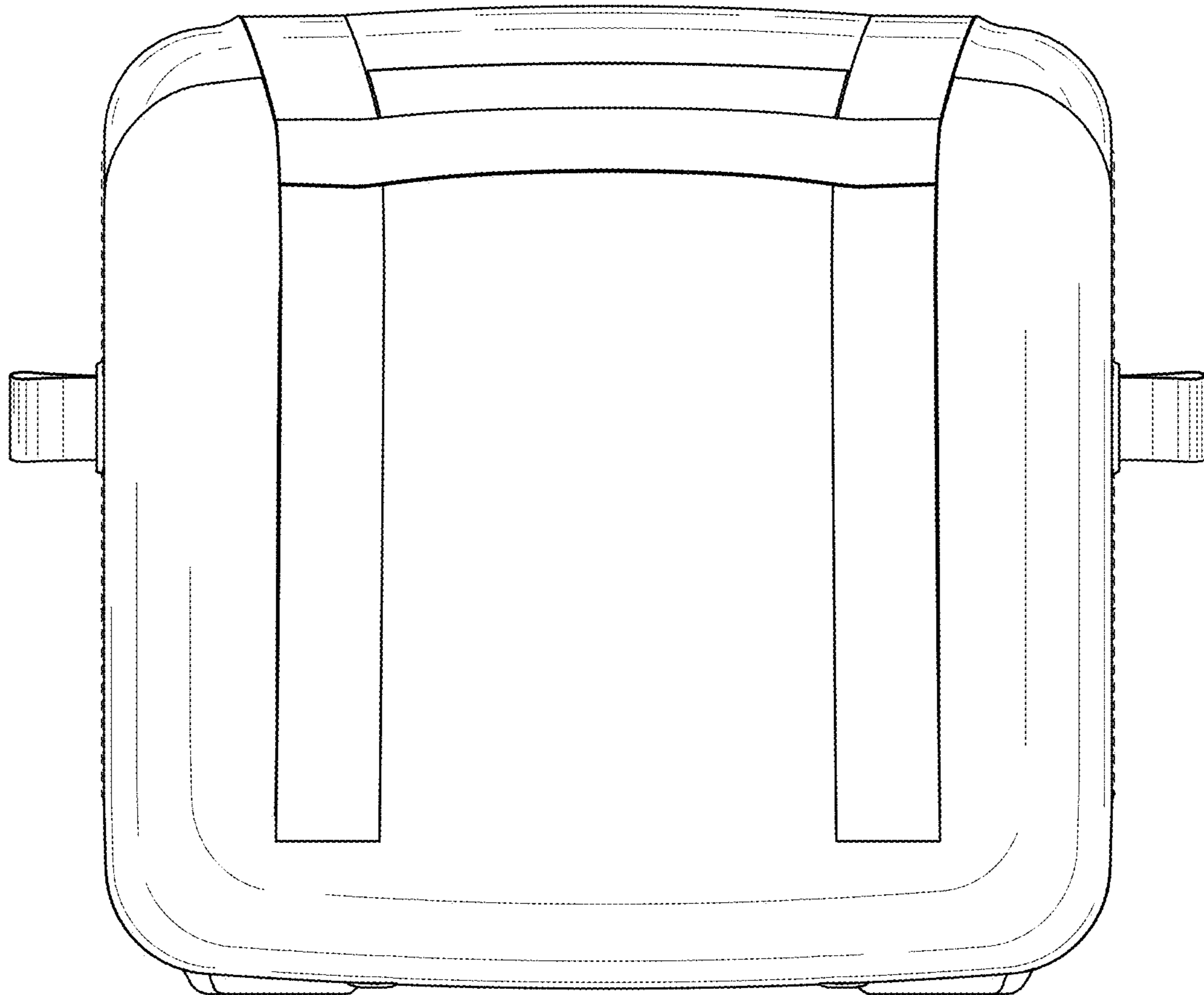


FIG. 2

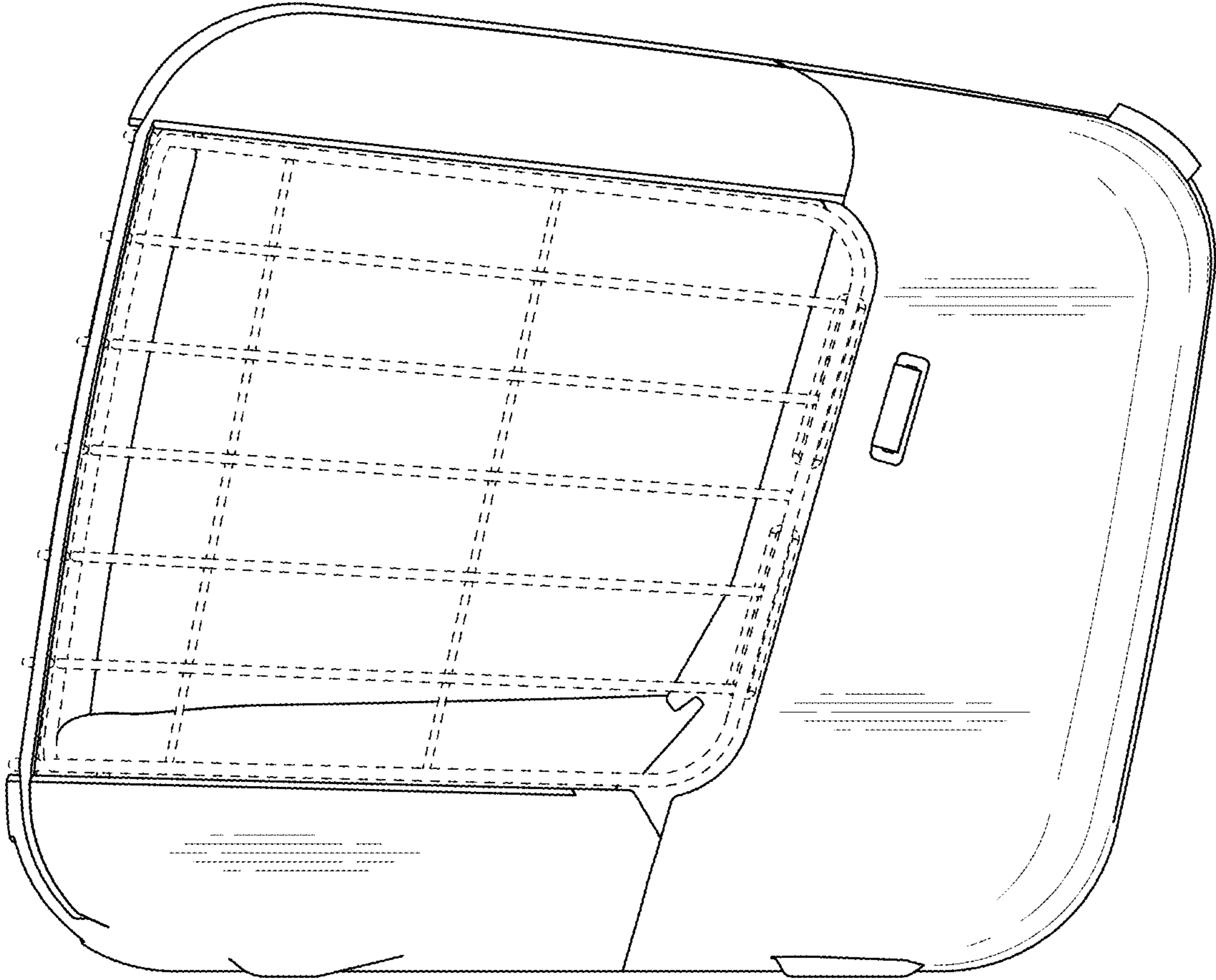


FIG. 3

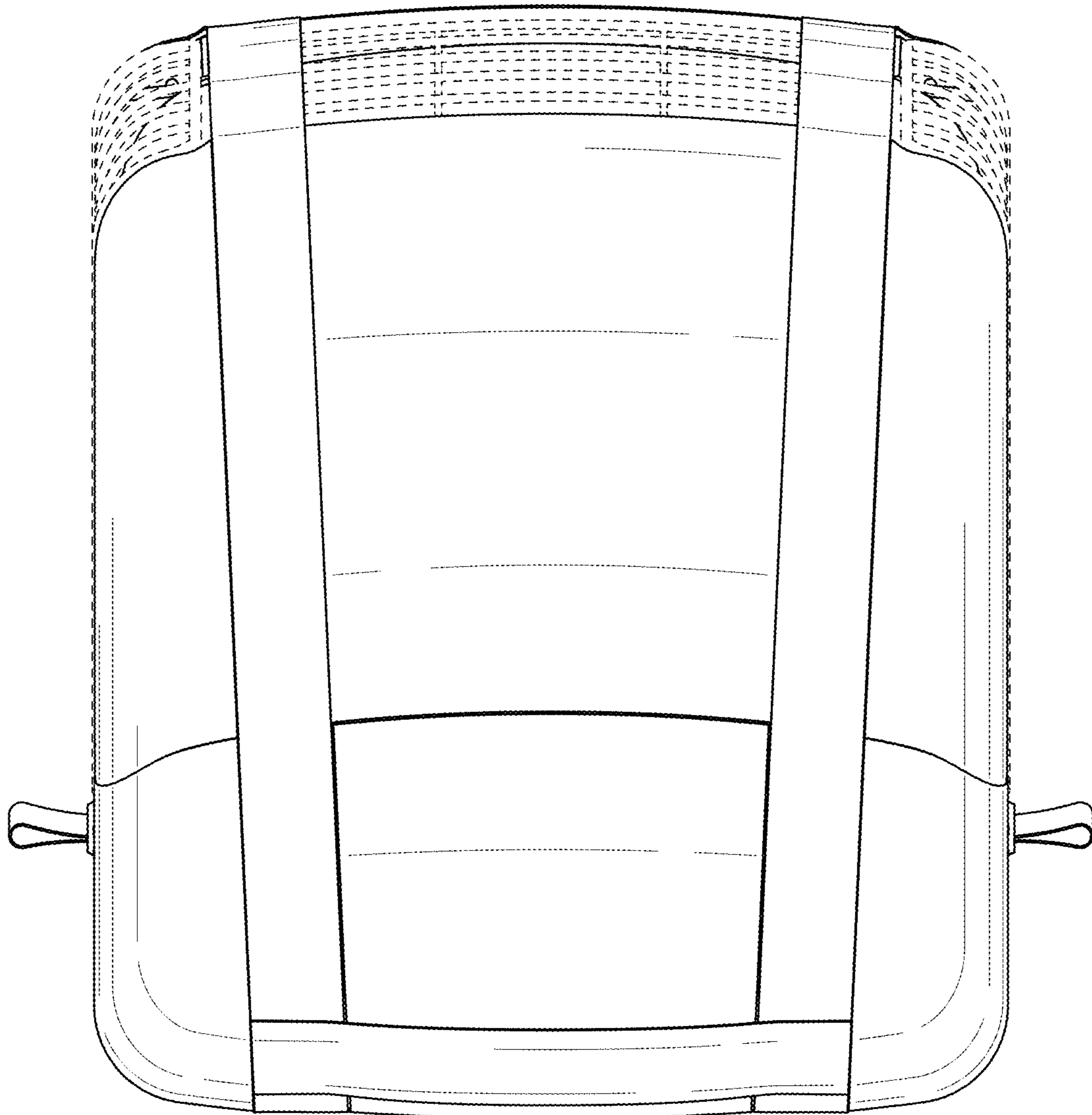


FIG. 4

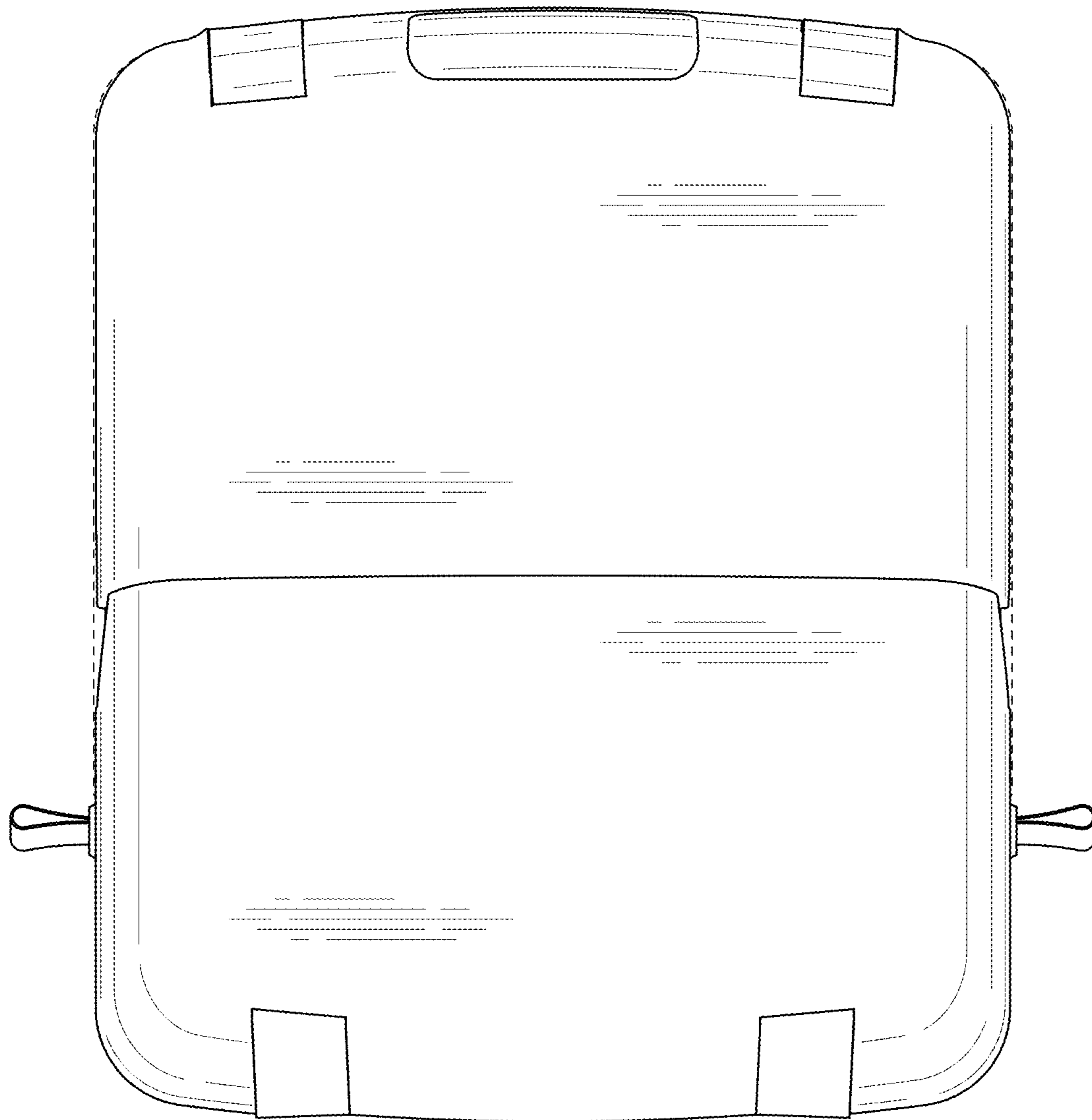


FIG. 5

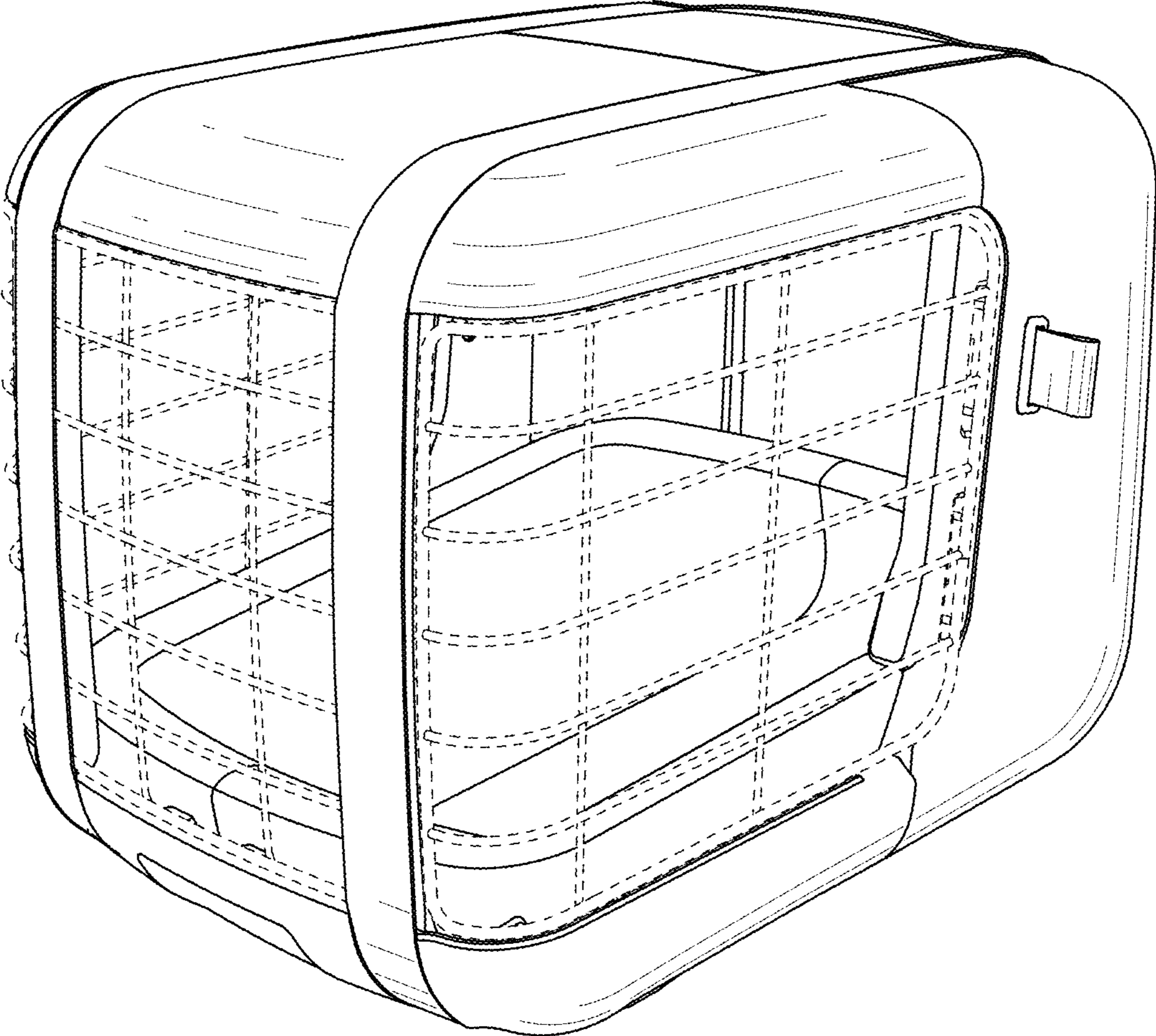


FIG. 6

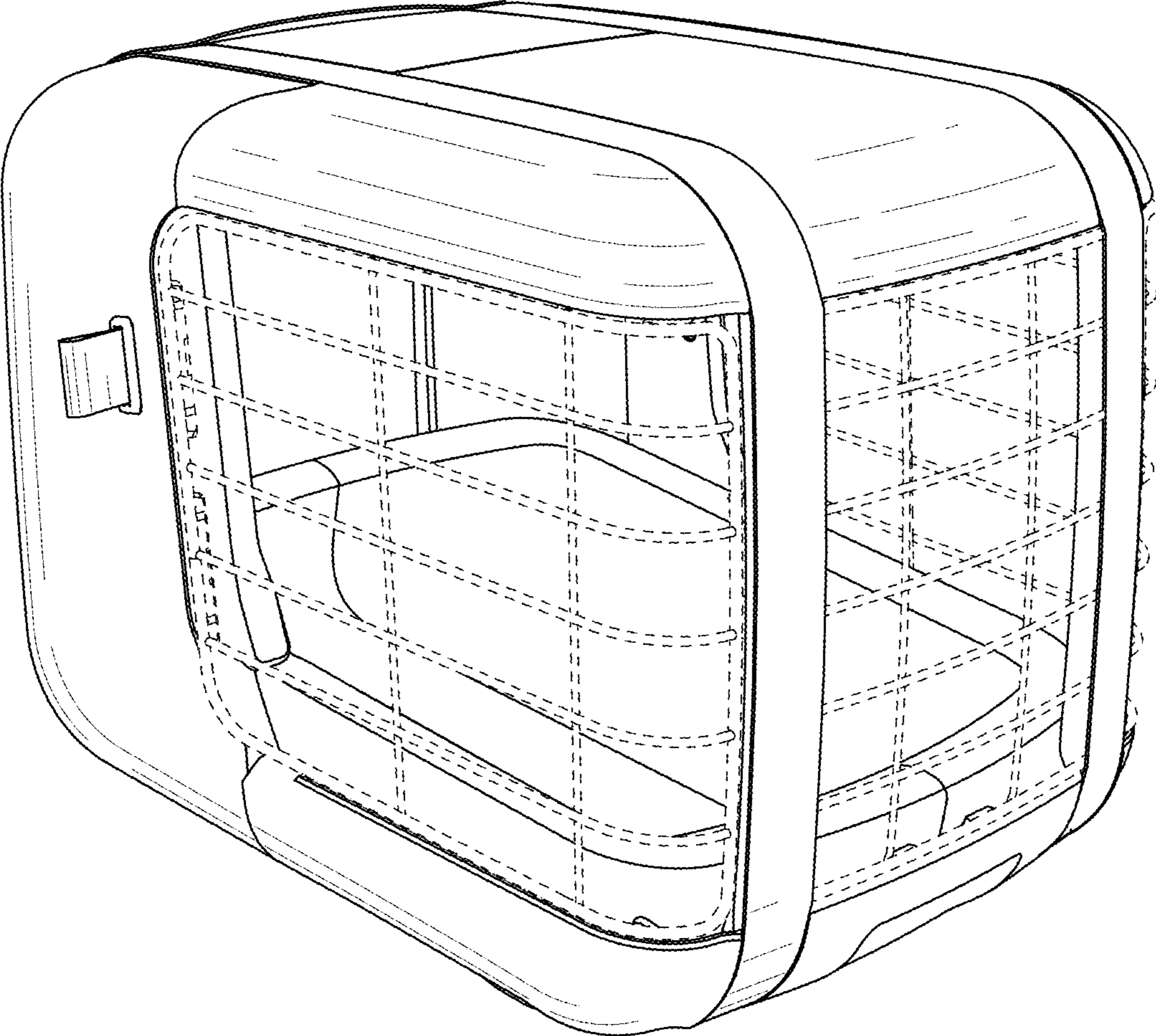


FIG. 7

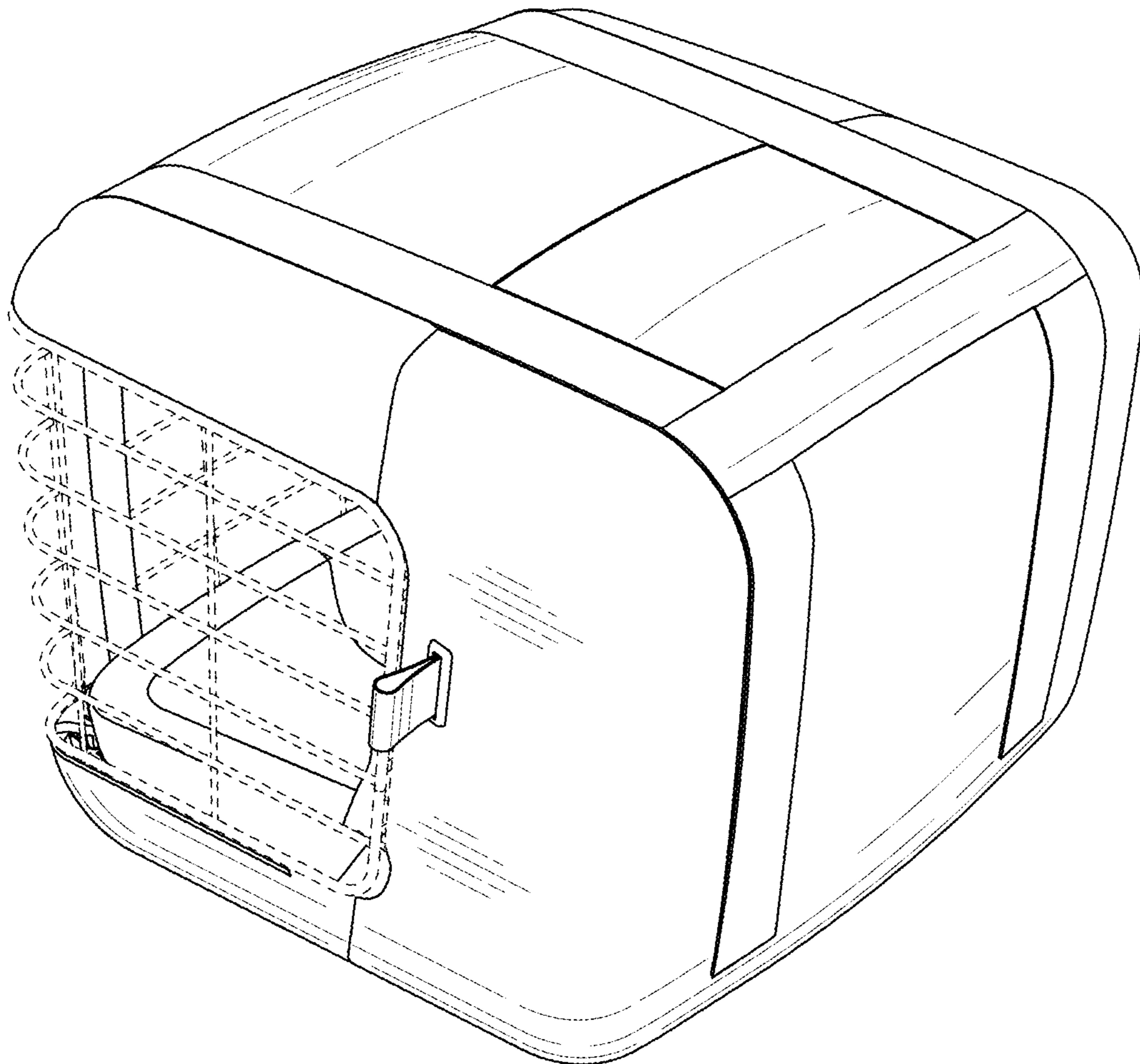


FIG. 8

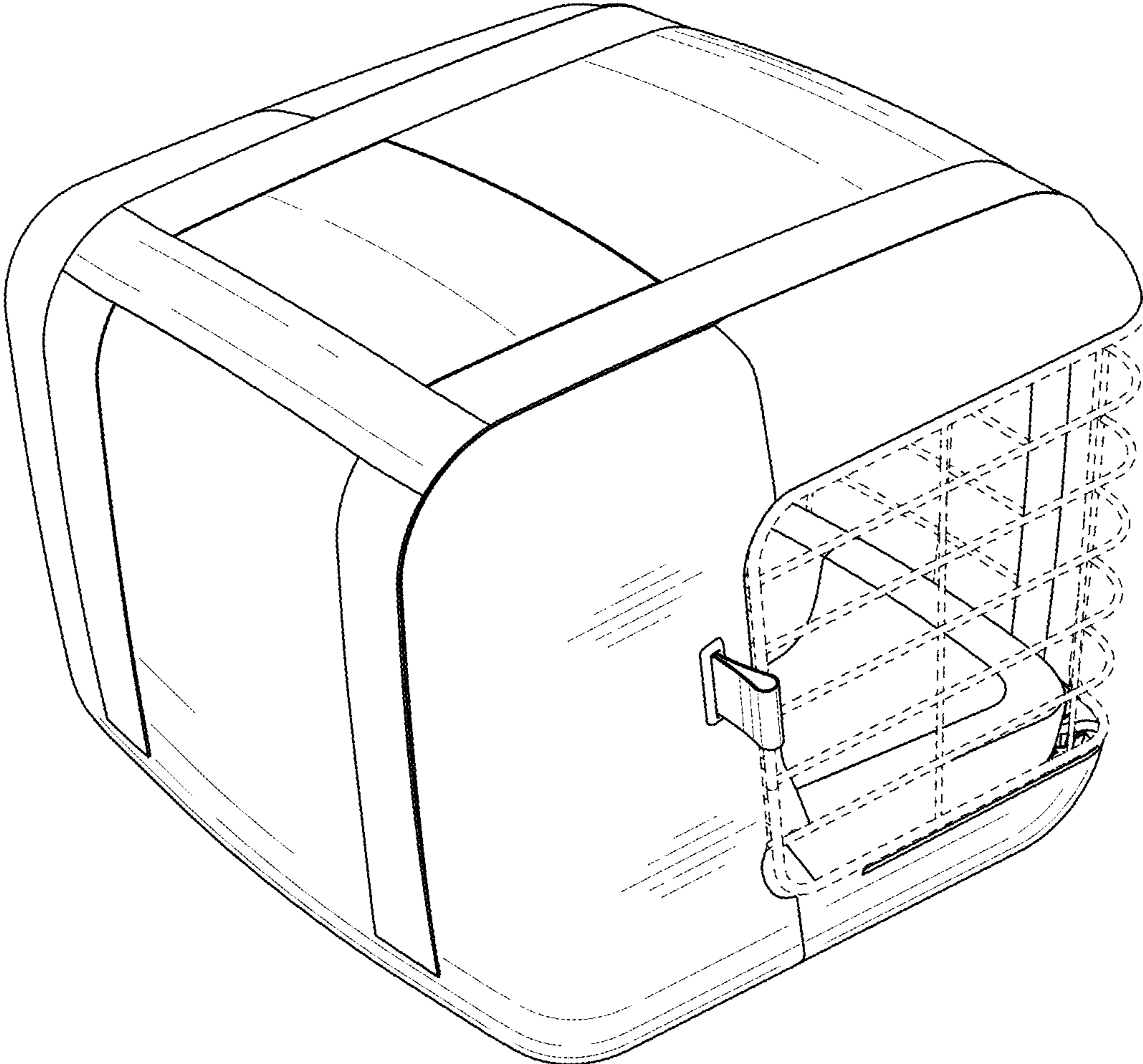


FIG. 9