



US00D870387S

(12) **United States Design Patent**
Sherrill

(10) **Patent No.:** **US D870,387 S**

(45) **Date of Patent:** **** Dec. 17, 2019**

(54) **EXFOLIATION TOOL**

(71) Applicant: **Nurse Jamie, Inc.**, Santa Monica, CA (US)

(72) Inventor: **Jamie Sherrill**, Santa Monica, CA (US)

(73) Assignee: **NURSE JAMIE, INC.**, Santa Monica, CA (US)

(**) Term: **15 Years**

(21) Appl. No.: **29/593,638**

(22) Filed: **Feb. 10, 2017**

(51) **LOC (12) Cl.** **28-03**

(52) **U.S. Cl.**
USPC **D28/57**

(58) **Field of Classification Search**
USPC D28/9-10, 44, 57, 60, 73, 81, 85, 63;
D6/716.2; 132/76.4; D30/158-159;
15/188; 401/8; 4/606; 616/131
CPC A01K 13/002; A46B 9/023; A46B 9/06;
A46B 5/021; A46B 9/02
See application file for complete search history.

(56) **References Cited**

U.S. PATENT DOCUMENTS

- 666,759 A * 1/1901 Knickerbocker B43K 23/012
132/114
- D45,441 S * 3/1914 Williams D28/63
- D57,628 S * 4/1921 Finney D28/9
- D110,252 S * 6/1938 Lewis D24/214
- 2,325,123 A * 7/1943 Isenberg B05B 1/18
15/188
- 2,674,758 A * 4/1954 Fay A46B 15/00
15/143.1
- D211,888 S * 8/1968 Hall et al. D6/536
- D240,769 S * 7/1976 Bowman D28/9
- D282,689 S * 2/1986 McCormick D28/91.2
- D284,121 S * 6/1986 Kelly D30/158
- D291,258 S * 8/1987 Greer, Sr. D32/40
- D326,562 S * 6/1992 Bertwell D30/158

- D403,119 S * 12/1998 Vazquez D28/63
- 6,076,222 A * 6/2000 Jolly A63B 57/60
15/161
- 6,226,811 B1 * 5/2001 Fagan A47K 7/024
15/207.2
- D474,610 S * 5/2003 Park D4/136
- D477,112 S * 7/2003 Yeung D28/18
- D485,944 S * 1/2004 Grant D20/32

(Continued)

FOREIGN PATENT DOCUMENTS

- CN 304281504 * 9/2017
- CN 304506946 * 2/2018
- JP D1205335 * 5/2004

OTHER PUBLICATIONS

Antimicrobial Silicone Lip Brush, Nurse Jamie, posted at kavitaCola.com, posted by Kavita Cola on Feb. 8, 2017 © 2015 Kavita Cola, online, site visited Jul. 3, 2018. Available from Internet, URL: <http://kavitaCola.com/nurse-jamie/> (Year: 2017).*

(Continued)

Primary Examiner — Shannon W Morgan
Assistant Examiner — Altaira J Swangin
(74) *Attorney, Agent, or Firm* — Ziegler IP Law Group, LLC

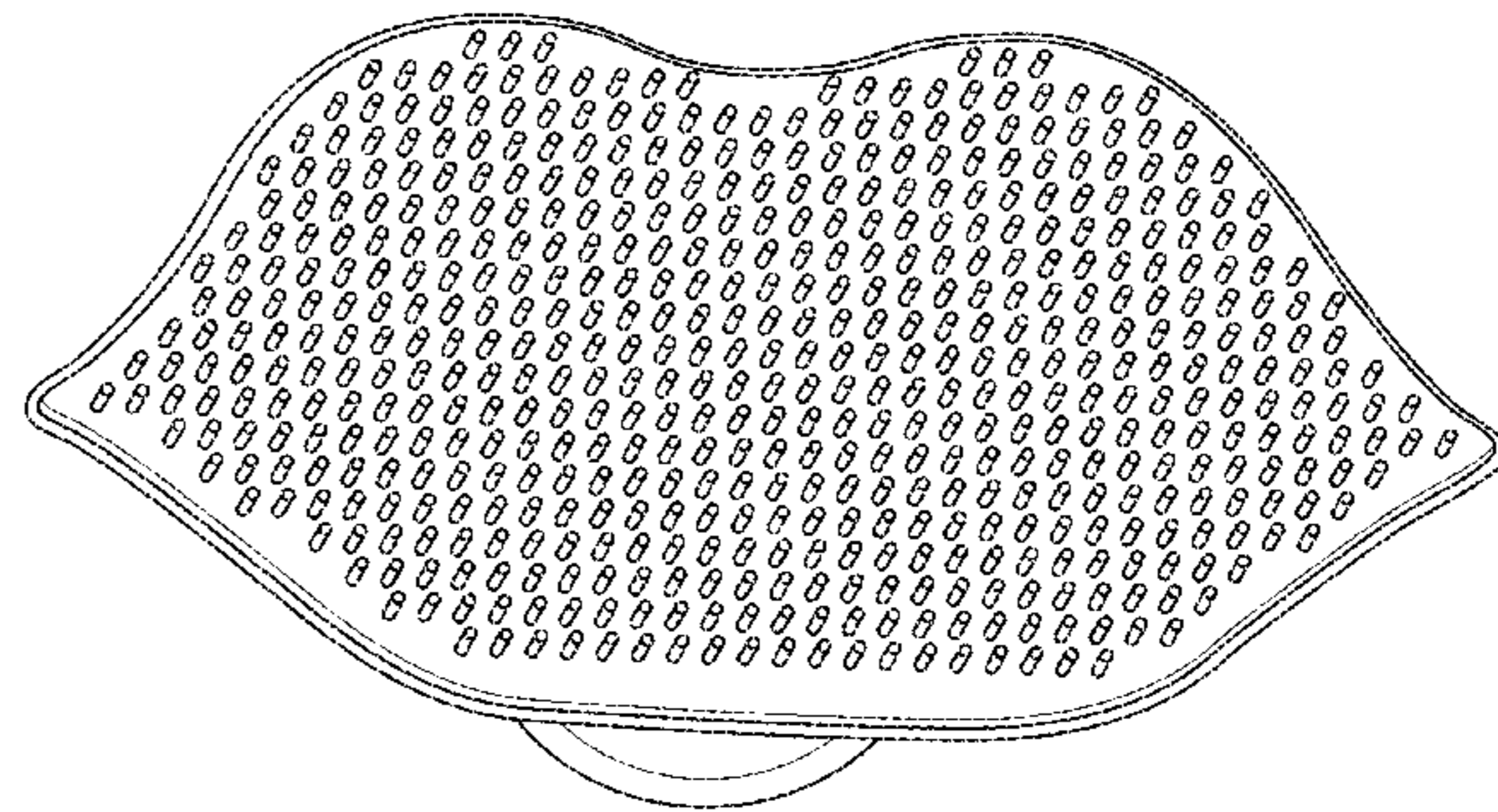
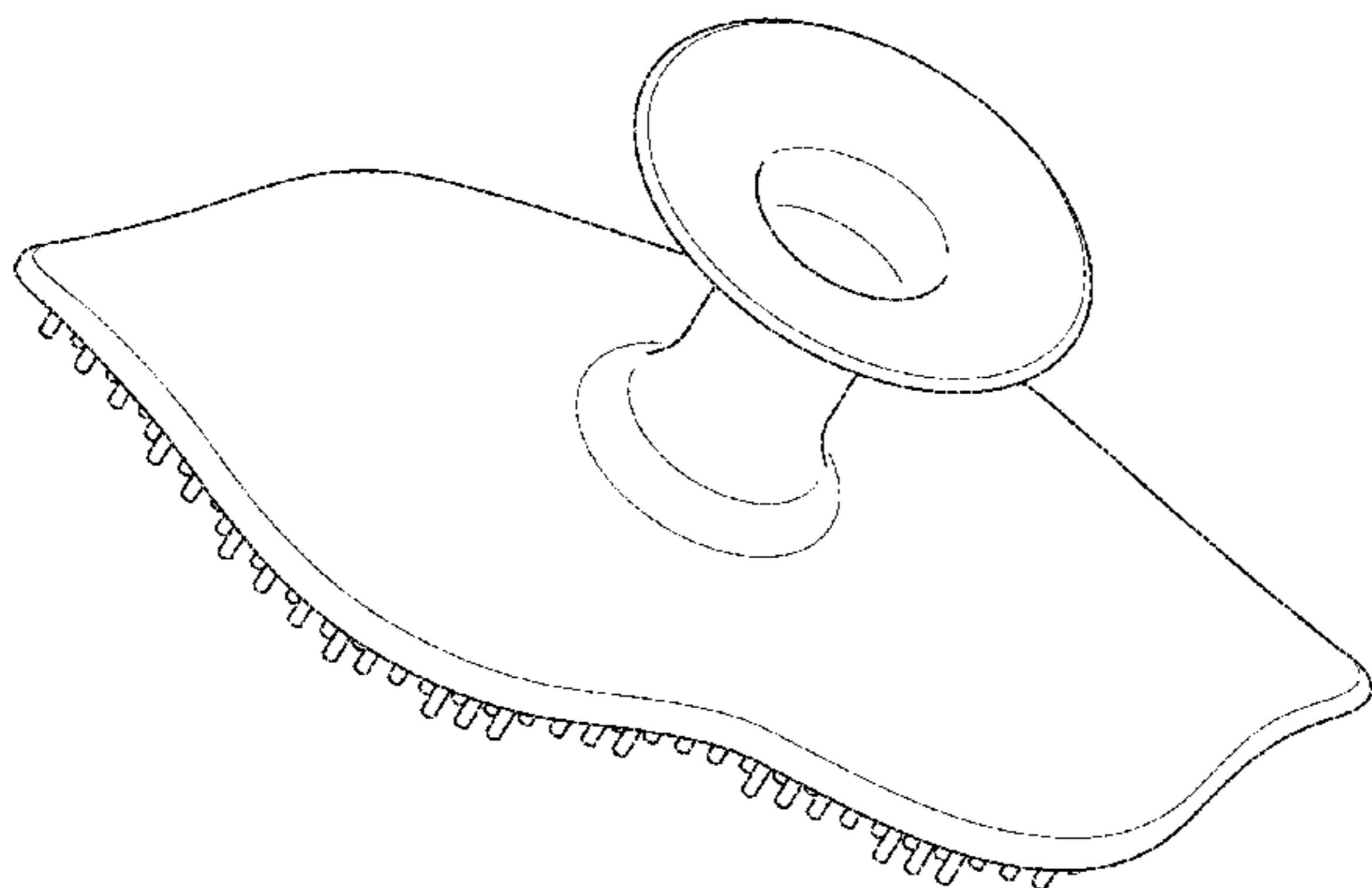
(57) **CLAIM**

The ornamental design for an exfoliation tool, as shown and described.

DESCRIPTION

FIG. 1 is a top perspective view of an exfoliation tool showing the new design;
FIG. 2 is a side view thereof;
FIG. 3 is a bottom view thereof;
FIG. 4 is a top view thereof; and,
FIG. 5 is another side view thereof.

1 Claim, 4 Drawing Sheets



(56)

References Cited

U.S. PATENT DOCUMENTS

D521,247 S * 5/2006 Huller D4/125
 D532,979 S * 12/2006 Viola D4/129
 D620,714 S * 8/2010 Bona-Kustra D30/158
 D632,487 S * 2/2011 Watanabe D28/63
 D782,827 S * 4/2017 Jenkins D4/136
 D784,094 S * 4/2017 Kim D7/669
 D802,237 S * 11/2017 Huang D32/35
 D814,804 S * 4/2018 Roth D4/134
 D822,387 S * 7/2018 Tai D4/100
 D823,606 S * 7/2018 Roth D4/134
 D830,704 S * 10/2018 Treeby D4/134
 D831,967 S * 10/2018 Hofer D4/124
 D834,333 S * 11/2018 Krus D4/199
 10,117,418 B2 * 11/2018 Sterling A01K 13/004
 D835,418 S * 12/2018 Kephart D4/124
 D837,532 S * 1/2019 Dunn D4/136
 D838,045 S * 1/2019 Miller D28/63
 D838,112 S * 1/2019 Yi D4/120
 10,172,324 B2 * 1/2019 Lou A01K 13/00
 D840,160 S * 2/2019 Sze D4/136
 D840,161 S * 2/2019 Renner D4/138
 D840,694 S * 2/2019 Yun D4/127
 D841,270 S * 2/2019 Reaux D32/40
 D845,001 S * 4/2019 Jack D4/130
 10,278,364 B2 * 5/2019 Chen A01K 13/002

10,285,494 B1 * 5/2019 Lho A46B 11/002
 2003/0220656 A1 * 11/2003 Gartstein A45D 26/0004
 606/131
 2015/0189979 A1 * 7/2015 Stanton A46B 5/021
 15/106
 2016/0106203 A1 * 4/2016 Pulfrey A46B 9/023
 132/200
 2017/0295903 A1 * 10/2017 Coffee A45D 19/02
 2018/0028395 A1 * 2/2018 Roth A61H 7/003
 2018/0064233 A1 * 3/2018 Riley A46B 3/005
 2018/0132452 A1 * 5/2018 Dionne A01K 13/002
 2018/0206626 A1 * 7/2018 Binnington A46B 3/20
 2018/0228477 A1 * 8/2018 Sherrill A46B 9/021
 2018/0317641 A1 * 11/2018 Supple A46B 9/021
 2018/0368363 A1 * 12/2018 Johnson A01K 13/001
 2019/0110584 A1 * 4/2019 Dunn A46B 9/023
 2019/0174907 A1 * 6/2019 Wang A46B 9/028
 2019/0174910 A1 * 6/2019 Xu A45D 24/04

OTHER PUBLICATIONS

Silicone Face Scrubber, AOMUU, posted at amazon.com, posted by customer on Jan. 19, 2017 © 1996-2018 Amazon.com, Inc., online, site visited Jul. 18, 2018. Available from Internet, URL: <https://www.amazon.com/Silicone-Exfoliator-Cleansing-Precision-Blackheads/dp/B01NBL85T0> (Year: 2017).*

* cited by examiner

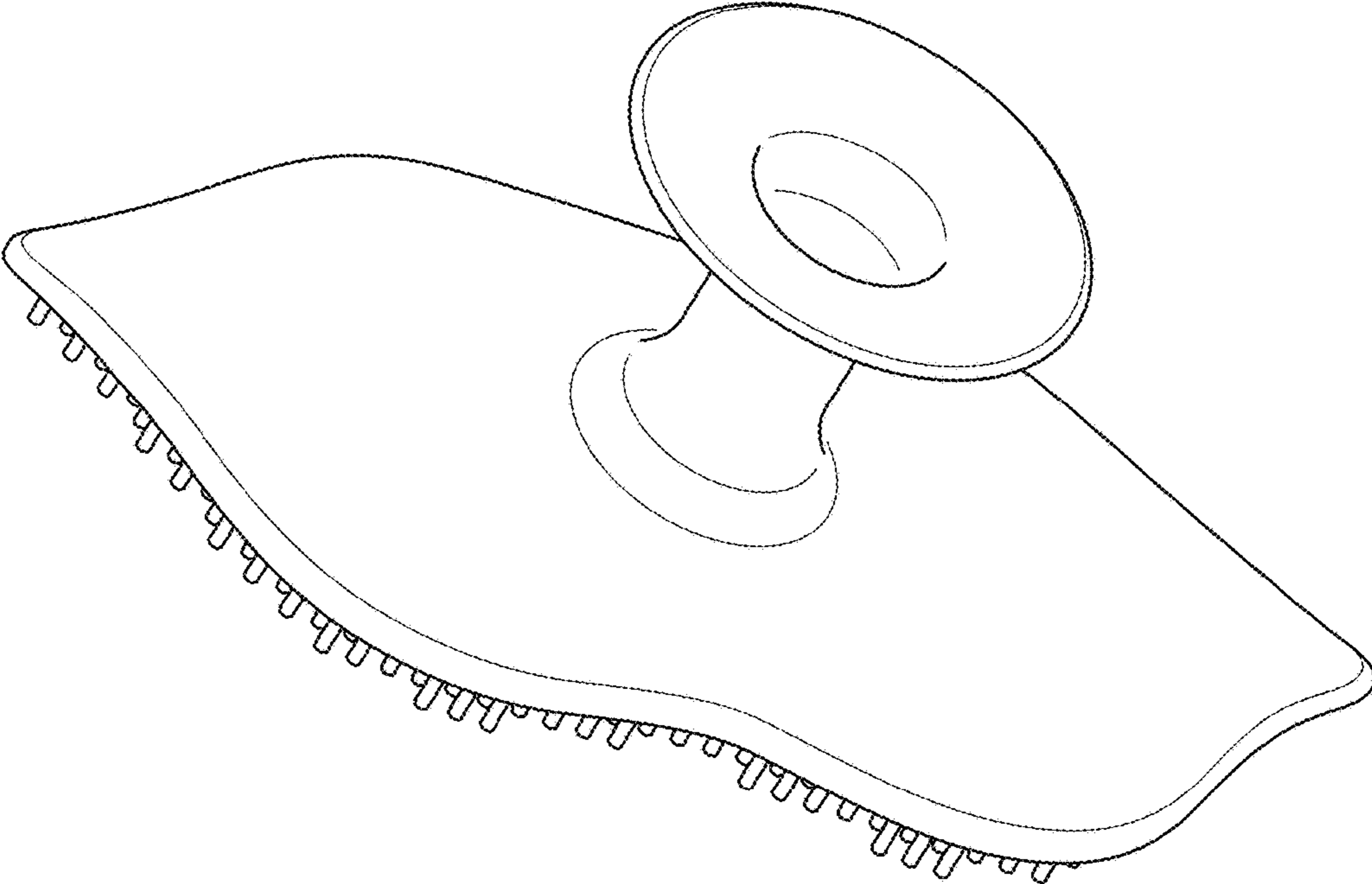


FIG. 1

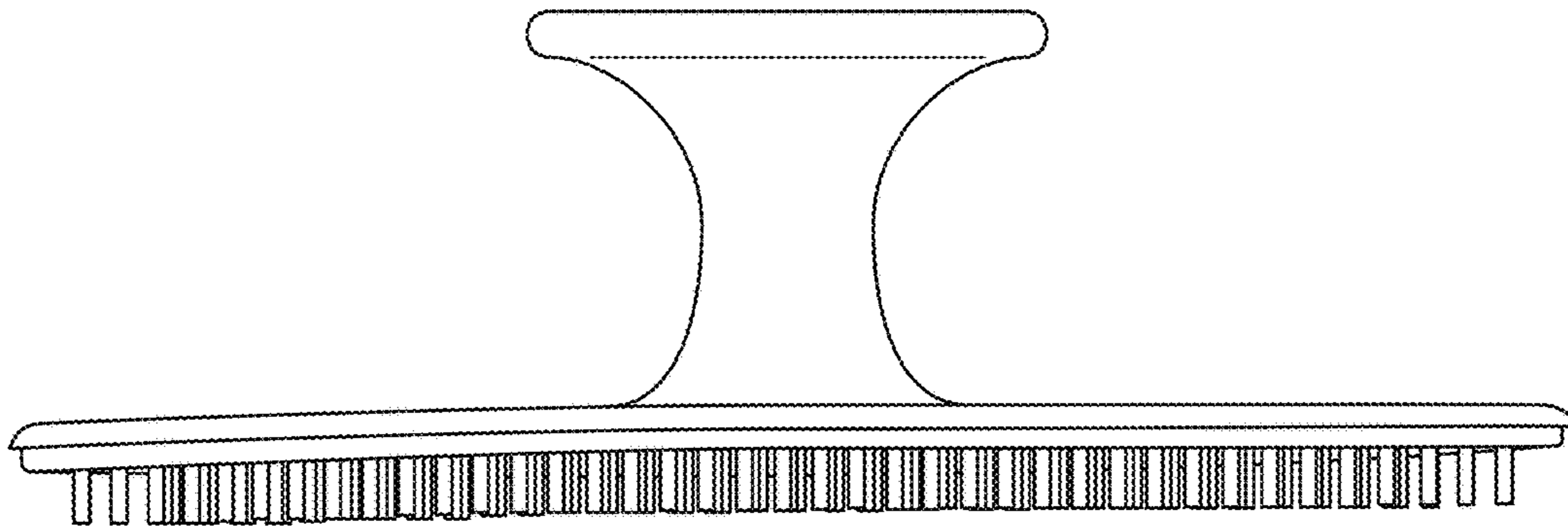


FIG. 2

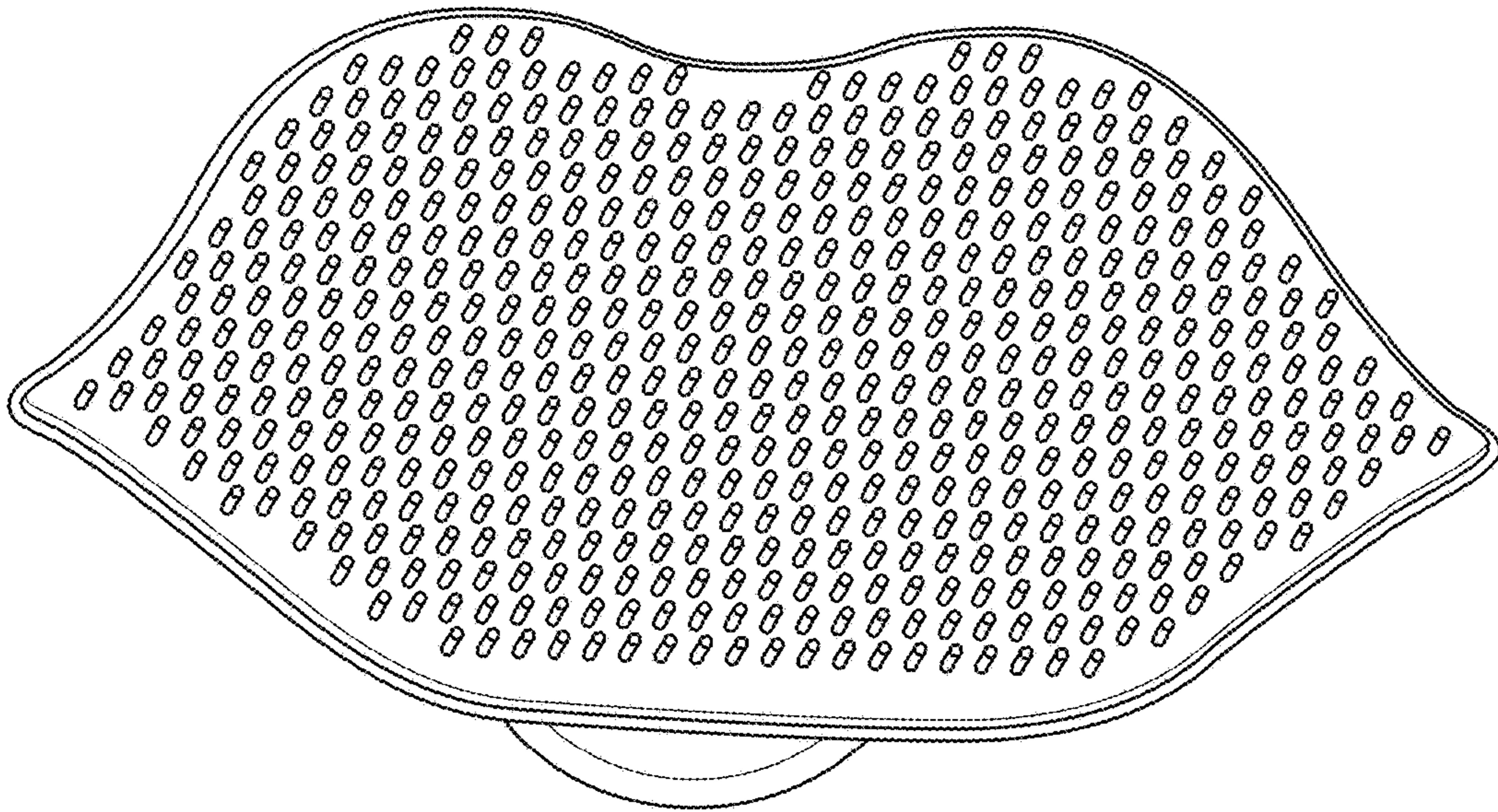


FIG. 3

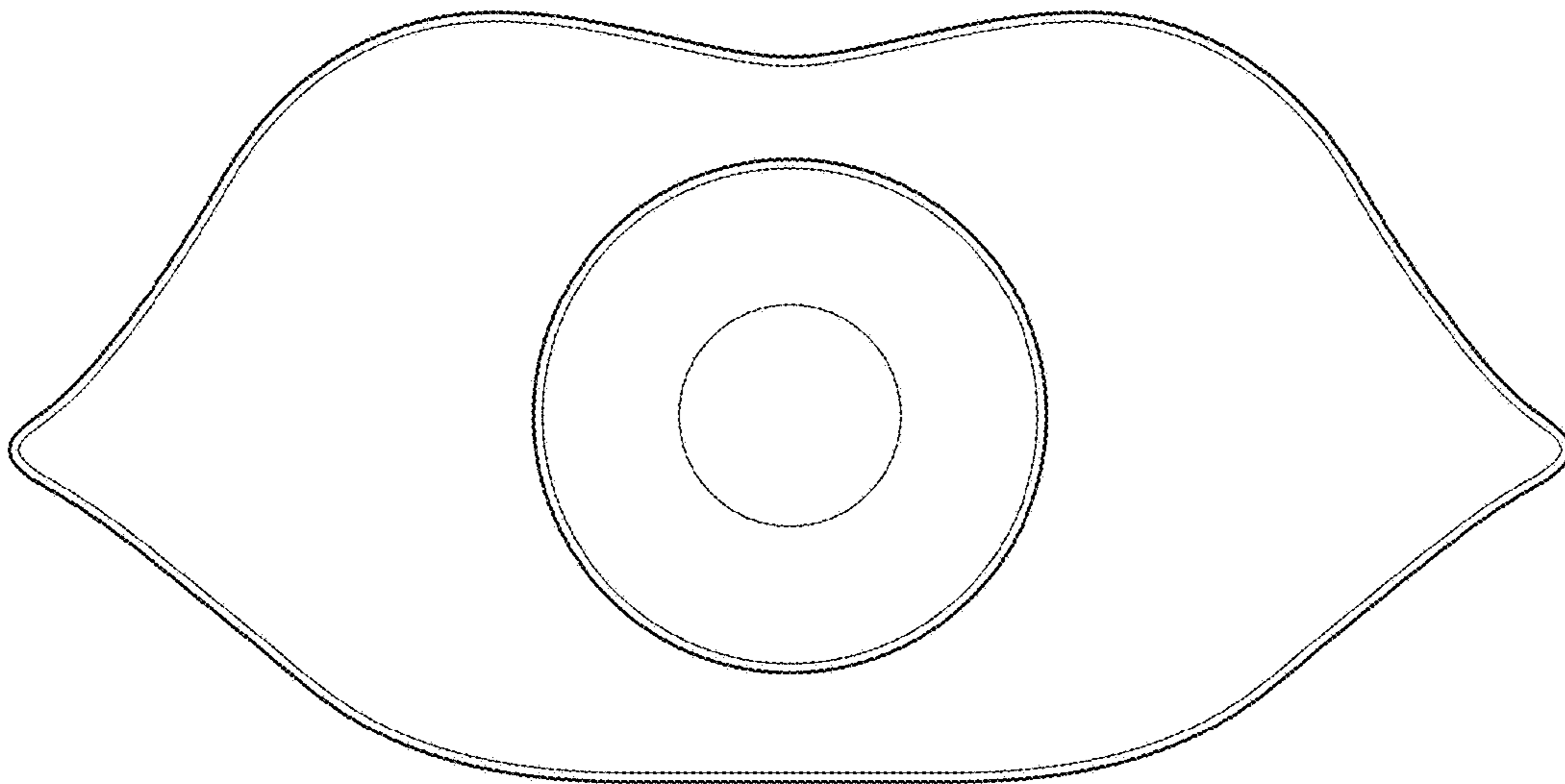


FIG. 4

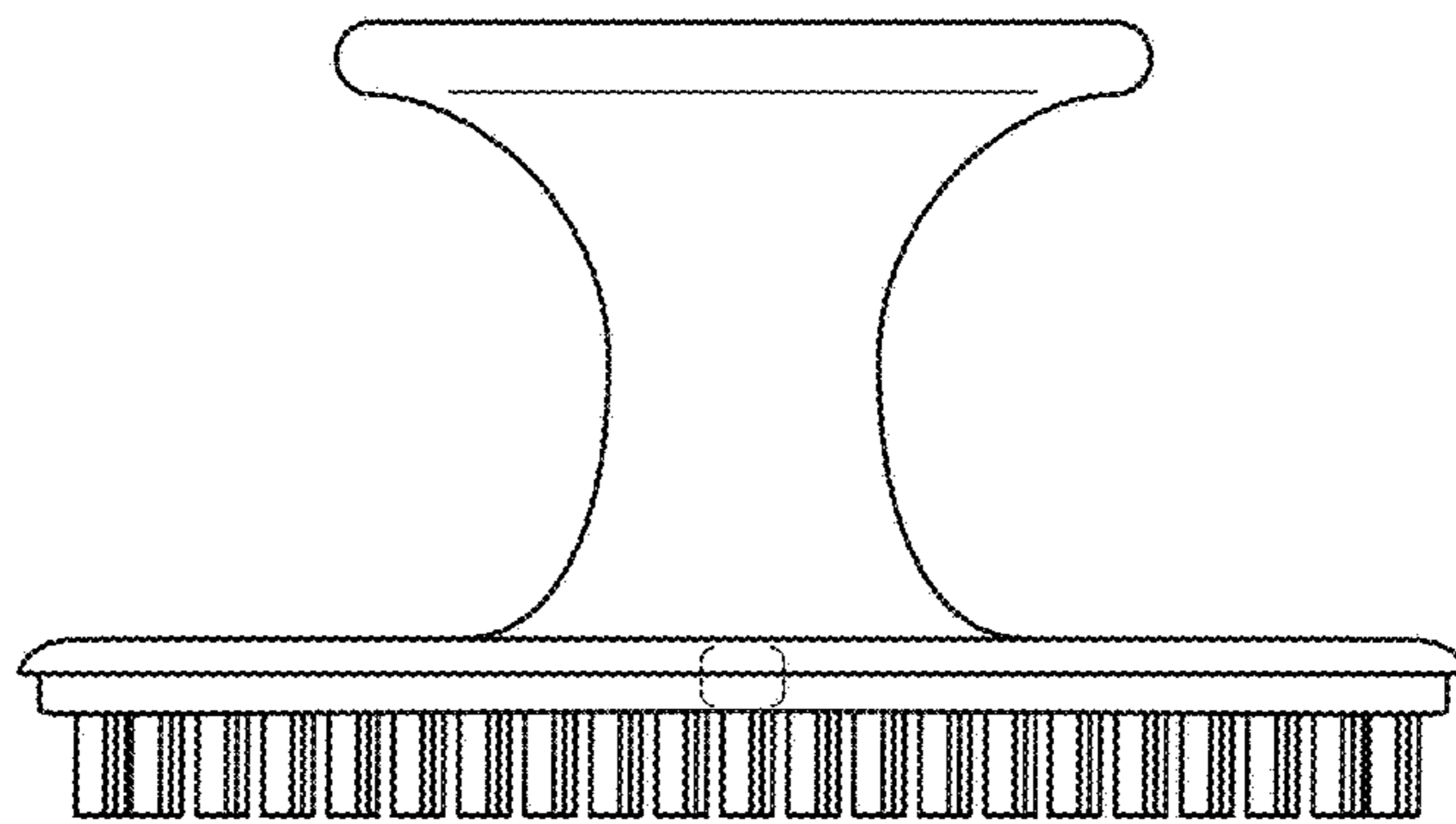


FIG. 5