



US00D870383S

(12) **United States Design Patent** (10) **Patent No.:** **US D870,383 S**
Zhang (45) **Date of Patent:** **** Dec. 17, 2019**

(54) **HAIR CLIPPER**

(71) Applicant: **KONINKLIJKE PHILIPS N.V.**,
Eindhoven (NL)

(72) Inventor: **Mingshuo Zhang**, Eindhoven (NL)

(73) Assignee: **KONINKLIJKE PHILIPS N.V.**,
Eindhoven (NL)

(**) Term: **15 Years**

(21) Appl. No.: **29/658,258**

(22) Filed: **Jul. 30, 2018**

(30) **Foreign Application Priority Data**

Jan. 31, 2018 (EM) 004687564

(51) **LOC (12) Cl.** **28-03**

(52) **U.S. Cl.**
USPC **D28/53**

(58) **Field of Classification Search**
USPC D28/49-54; D30/158
CPC B26B 19/20-205; B26B 19/00-107; B26B
19/12-18; B26B 19/22-24; B26B
19/26-265; B26B 19/28-36; B26B
19/38-48

See application file for complete search history.

(56) **References Cited**

U.S. PATENT DOCUMENTS

5,937,526 A * 8/1999 Wahl B26B 19/20
30/200
D628,745 S * 12/2010 Dingelstad D28/53

D637,760 S * 5/2011 Tasar D28/53
D651,747 S * 1/2012 Nitsch D28/53
D698,084 S * 1/2014 Yoon D28/53
D722,200 S * 2/2015 Nitsch D28/53
D722,723 S * 2/2015 Nitsch D28/53
9,434,078 B2 * 9/2016 Julemont B26B 19/20
D771,314 S * 11/2016 Andersson D28/53
D823,543 S * 7/2018 Smith D28/53
10,029,377 B2 * 7/2018 Zijlstra B26B 19/20
10,293,500 B1 * 5/2019 Baker B26B 19/20
2017/0072577 A1 * 3/2017 Darwinkel B26B 19/20
2017/0305020 A1 * 10/2017 Darwinkel B26B 19/20
2017/0341245 A1 * 11/2017 Nayna B26B 19/20
2018/0222068 A1 * 8/2018 Halmut B26B 19/20
2018/0370050 A1 * 12/2018 Janssen B26B 19/388
2019/0009418 A1 * 1/2019 Baltussen B26B 19/3826

* cited by examiner

Primary Examiner — Jennifer Rivard

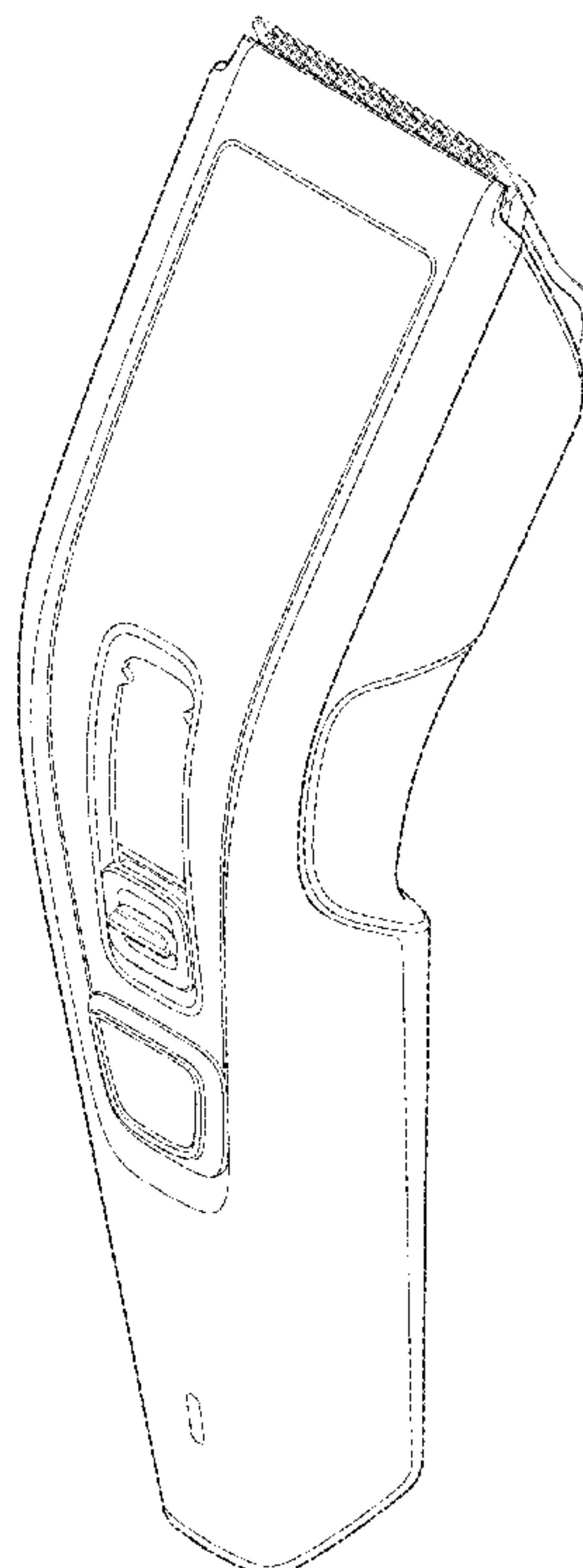
(57) **CLAIM**

I claim the ornamental design for a hair clipper, as shown and described.

DESCRIPTION

FIG. 1 is a perspective view showing my design;
FIG. 2 is a front elevational view thereof;
FIG. 3 is a rear elevational view thereof;
FIG. 4 is a right side elevational view thereof;
FIG. 5 is a left side elevational view thereof;
FIG. 6 is a top plan view thereof; and,
FIG. 7 is a bottom plan view thereof.
The broken lines illustrate portions of the hair clipper that form no part of the claimed design.

1 Claim, 4 Drawing Sheets



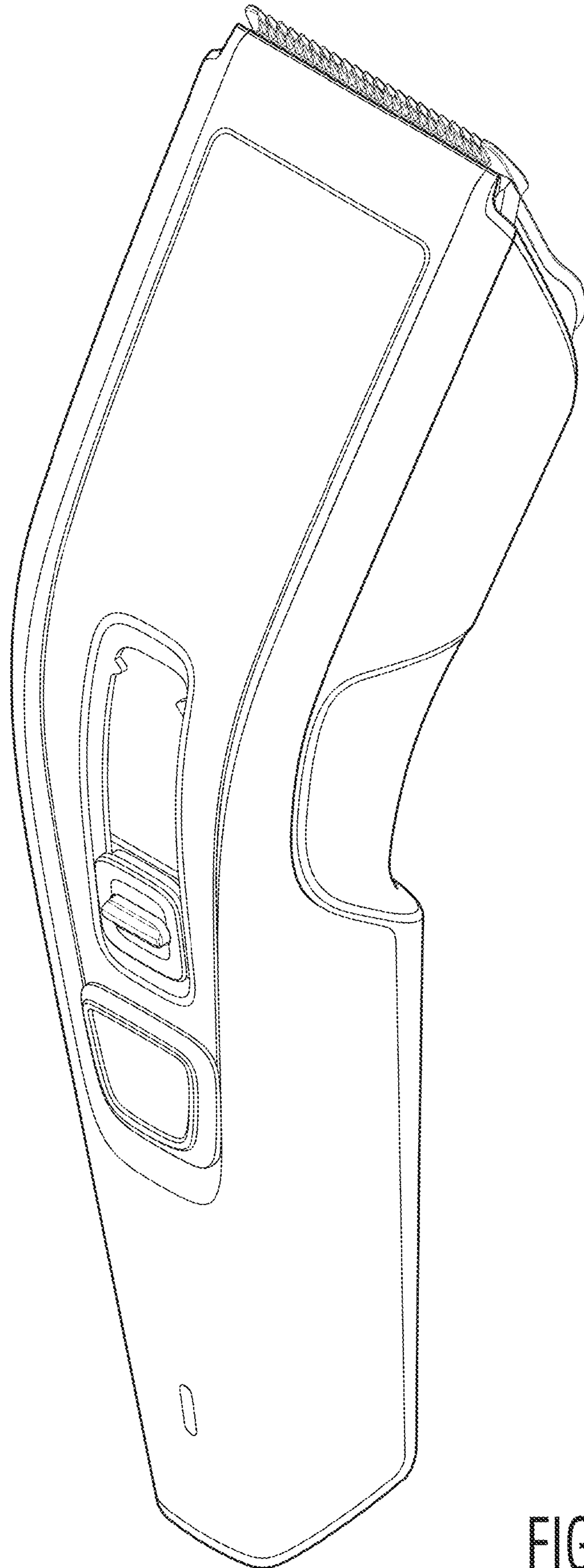


FIG. 1

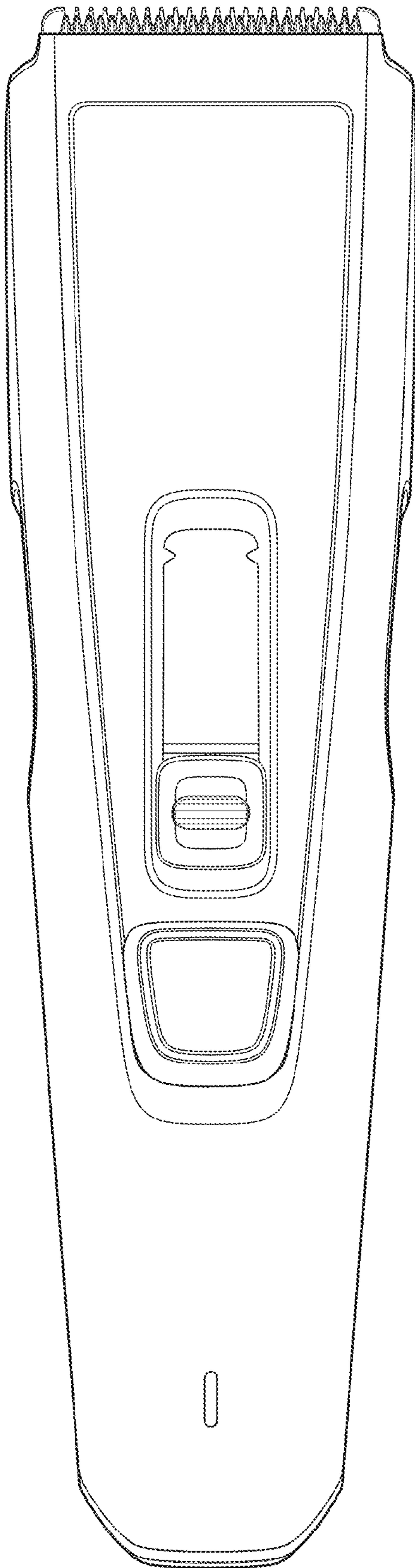


FIG. 2

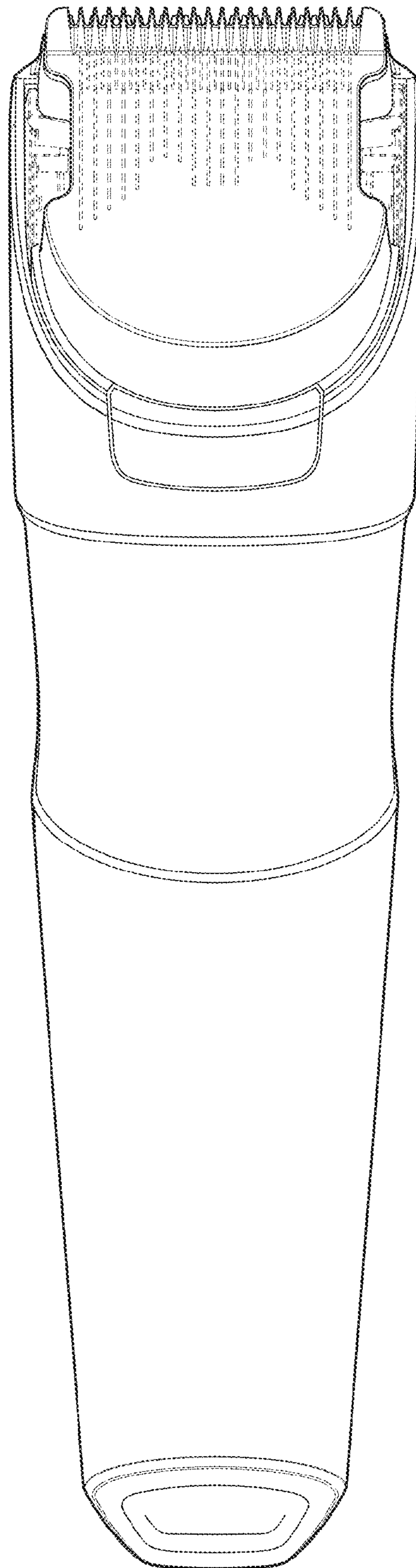


FIG. 3

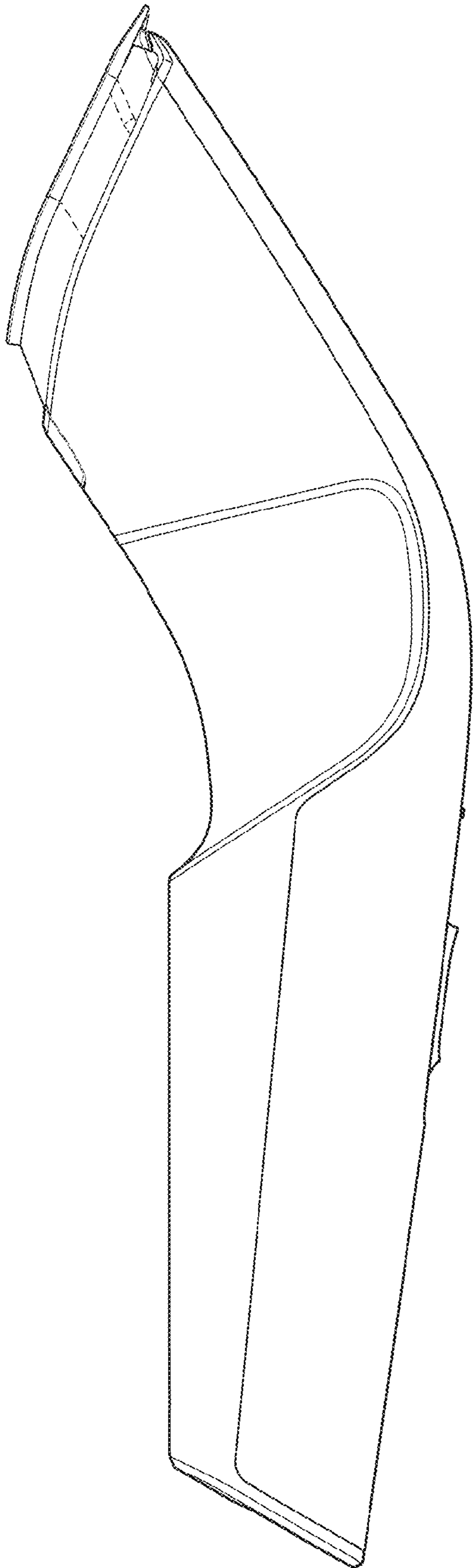


FIG. 4

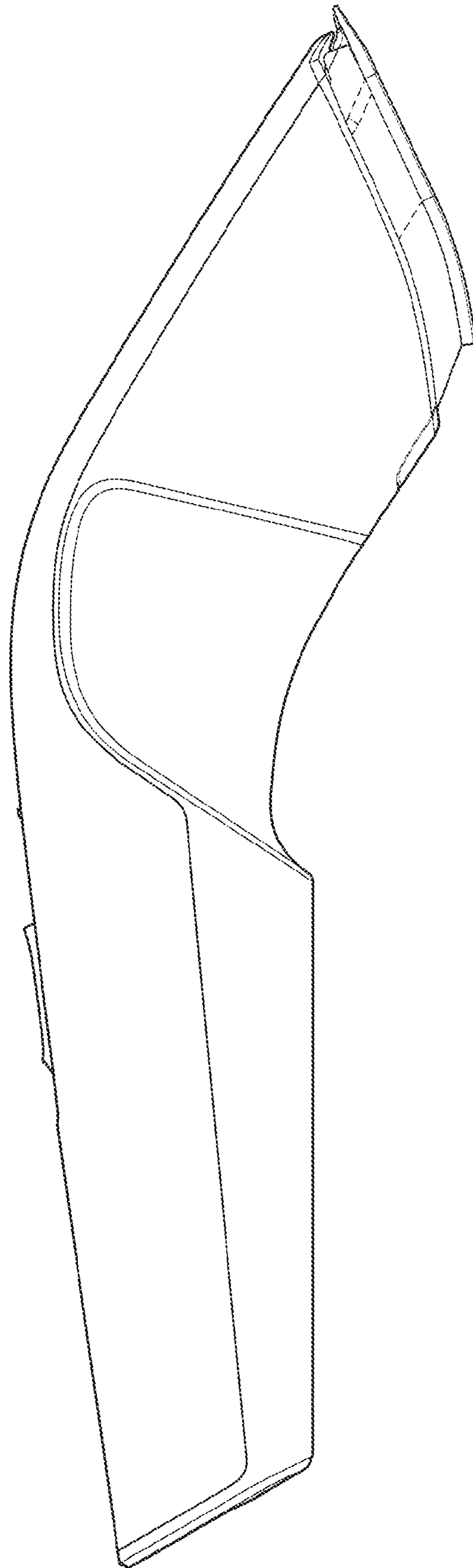


FIG. 5

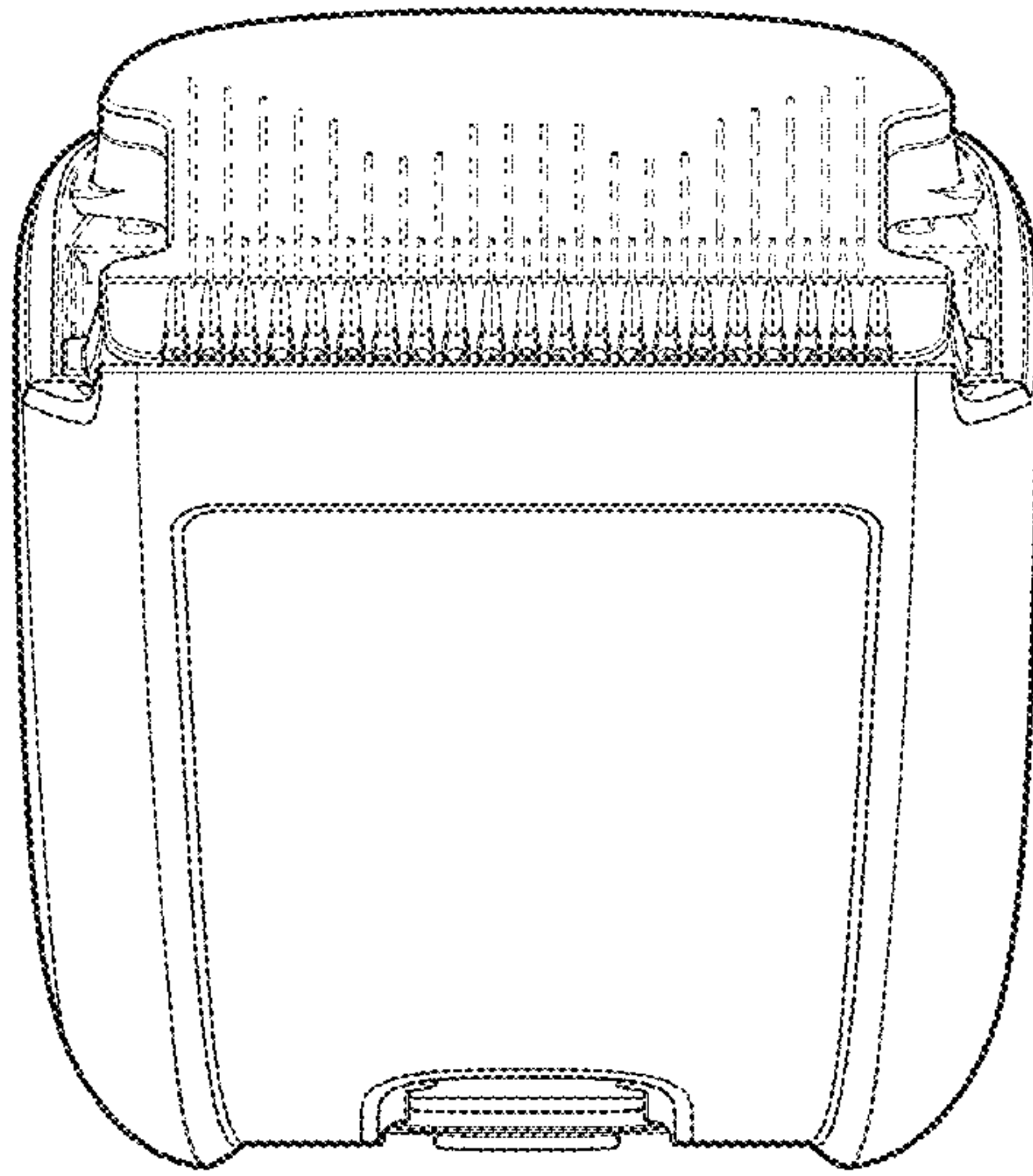


FIG. 6

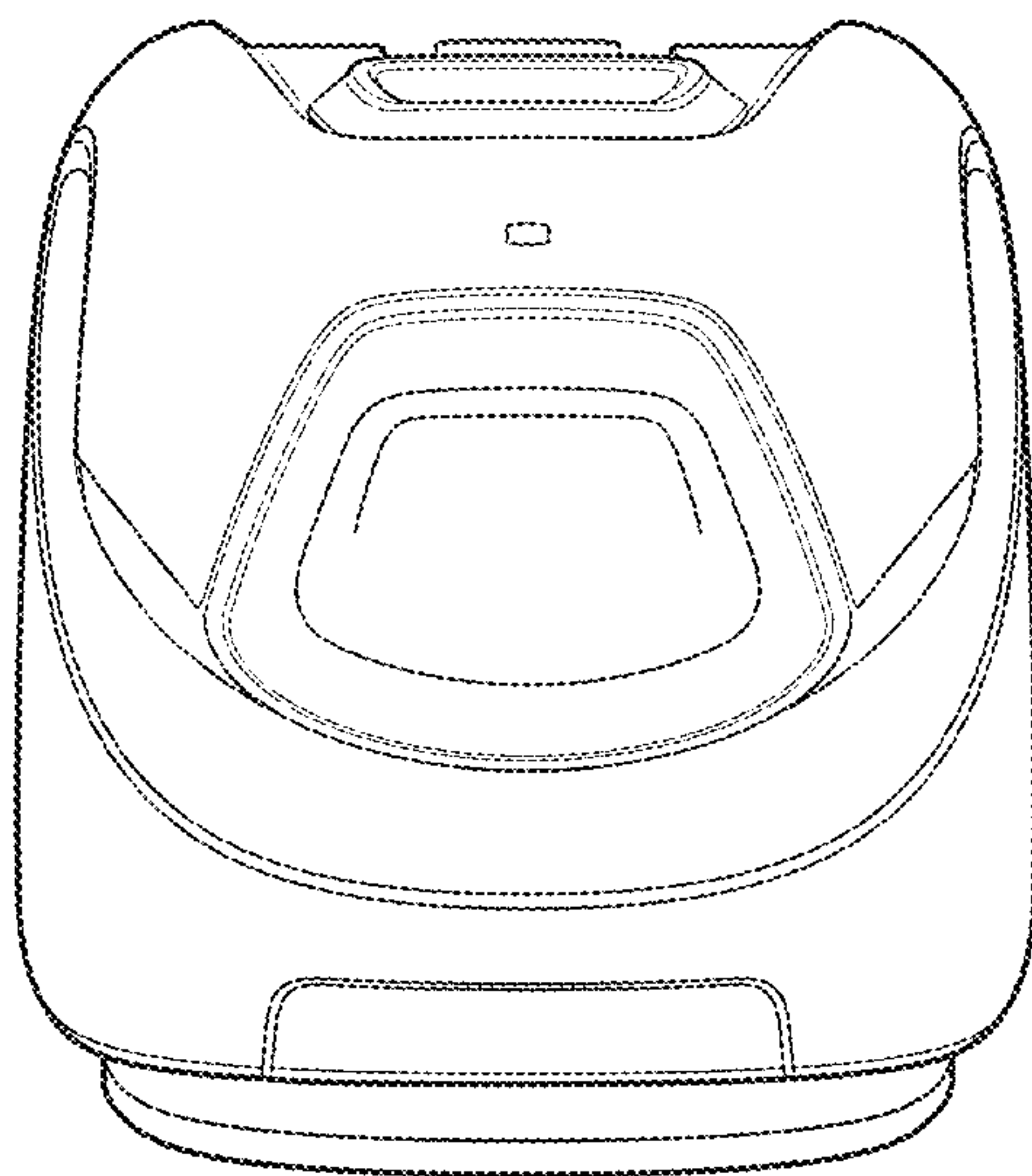


FIG. 7