



US00D870378S

(12) **United States Design Patent** (10) **Patent No.:** **US D870,378 S**
Lash (45) **Date of Patent:** **** Dec. 17, 2019**

- (54) **HAIR CLAMP**
- (71) Applicant: **PuffCuff LLC**, Powder Springs, GA (US)
- (72) Inventor: **Ceata E. Lash**, Powder Springs, GA (US)
- (**) Term: **15 Years**
- (21) Appl. No.: **29/657,107**
- (22) Filed: **Jul. 19, 2018**
- (51) **LOC (12) Cl.** **28-03**
- (52) **U.S. Cl.**
USPC **D28/39**
- (58) **Field of Classification Search**
USPC D28/13, 19, 21, 22, 23, 24, 25, 27, 28, D28/29, 30, 31, 32, 33, 34, 39, 44, 45, D28/49, 50, 51, 52, 53, 54, 63, 74
CPC A45D 24/00; A45D 24/02; A45D 24/04; A45D 24/06; A45D 24/08; A45D 24/10; A45D 24/22; A45D 24/30; A45D 24/32; A45D 24/34; A45D 24/36; A45D 24/38; A45D 24/40; A45D 24/42; A45D 24/44; A45D 2024/002; A45D 2024/005; A45D 8/00; A45D 8/02; A45D 8/04; A45D 8/06; A45D 8/12; A45D 8/20; A45D 8/22; A45D 8/24; A45D 8/28; A45D 8/30; A45D 8/32

See application file for complete search history.

(56) **References Cited**

U.S. PATENT DOCUMENTS

- D31,521 S * 9/1899 Eschwege D28/22
- D39,657 S * 11/1908 Doyle D28/33
- 2,159,709 A * 5/1939 Quetin A45D 8/34
132/133
- 2,902,042 A * 9/1959 Halber A45D 8/34
132/133
- D322,145 S * 12/1991 Coignard D28/23

- 5,590,668 A * 1/1997 Macy A45D 8/34
132/200
- D540,983 S * 4/2007 Vergona D28/40
- 7,963,289 B1 * 6/2011 King A45D 8/34
132/106
- D715,997 S * 10/2014 Lash A45D 8/24
D28/40
- D787,123 S * 5/2017 Hsu D28/40
- D831,273 S * 10/2018 Sze D28/40
- D849,324 S * 5/2019 Bremner D28/40
- D860,532 S * 9/2019 Atkinson D28/18
- 2010/0078036 A1 * 4/2010 Naji A45D 8/12
132/200
- 2015/0282583 A1 * 10/2015 Lash A45D 8/30
132/279
- 2018/0343997 A1 * 12/2018 Grant A45D 8/34

OTHER PUBLICATIONS

PuffCuff Original, reviewed on Mar. 7, 2016 [online], retrieved Sep. 25, 2019, retrieved from internet, <https://www.amazon.com/PuffCuff-PC007-Original-5/dp/B00GQJR25A>.*

* cited by examiner

Primary Examiner — Barbara Fox

Assistant Examiner — Messina L Smith

(74) *Attorney, Agent, or Firm* — John G. Posa; Belzer PC

(57) **CLAIM**

The ornamental design for a hair clamp, as shown and described.

DESCRIPTION

FIG. 1 is a perspective view of a hair clamp showing my new design.

FIG. 2 is top view of the hair clamp;

FIG. 3 is a bottom view of the hair clamp;

FIG. 4 is a right side view of the hair clamp;

FIG. 5 is a left side view of the hair clamp;

FIG. 6 is a front view of the hair clamp; and,

FIG. 7 is a back view of the hair clamp.

1 Claim, 5 Drawing Sheets

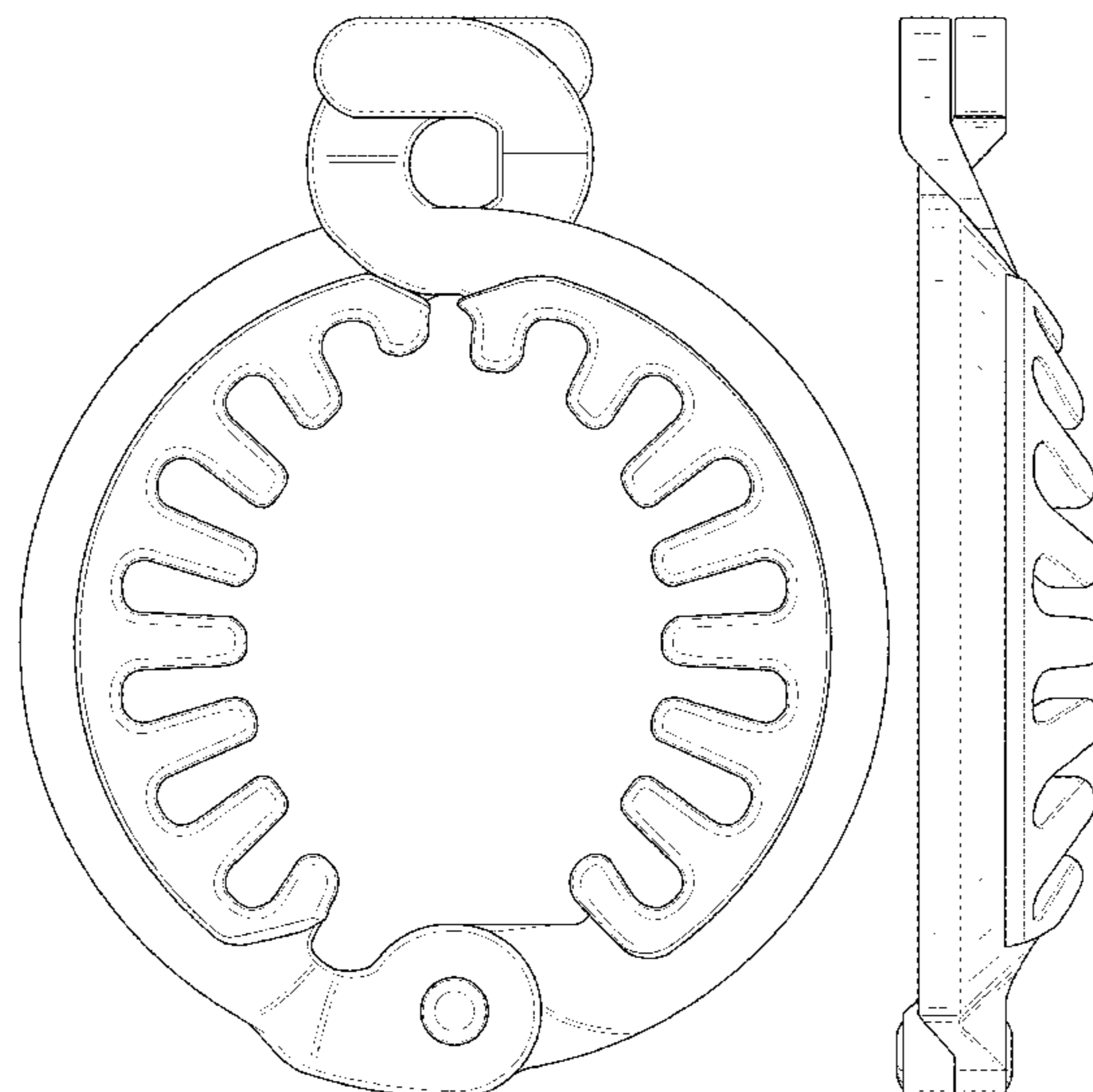
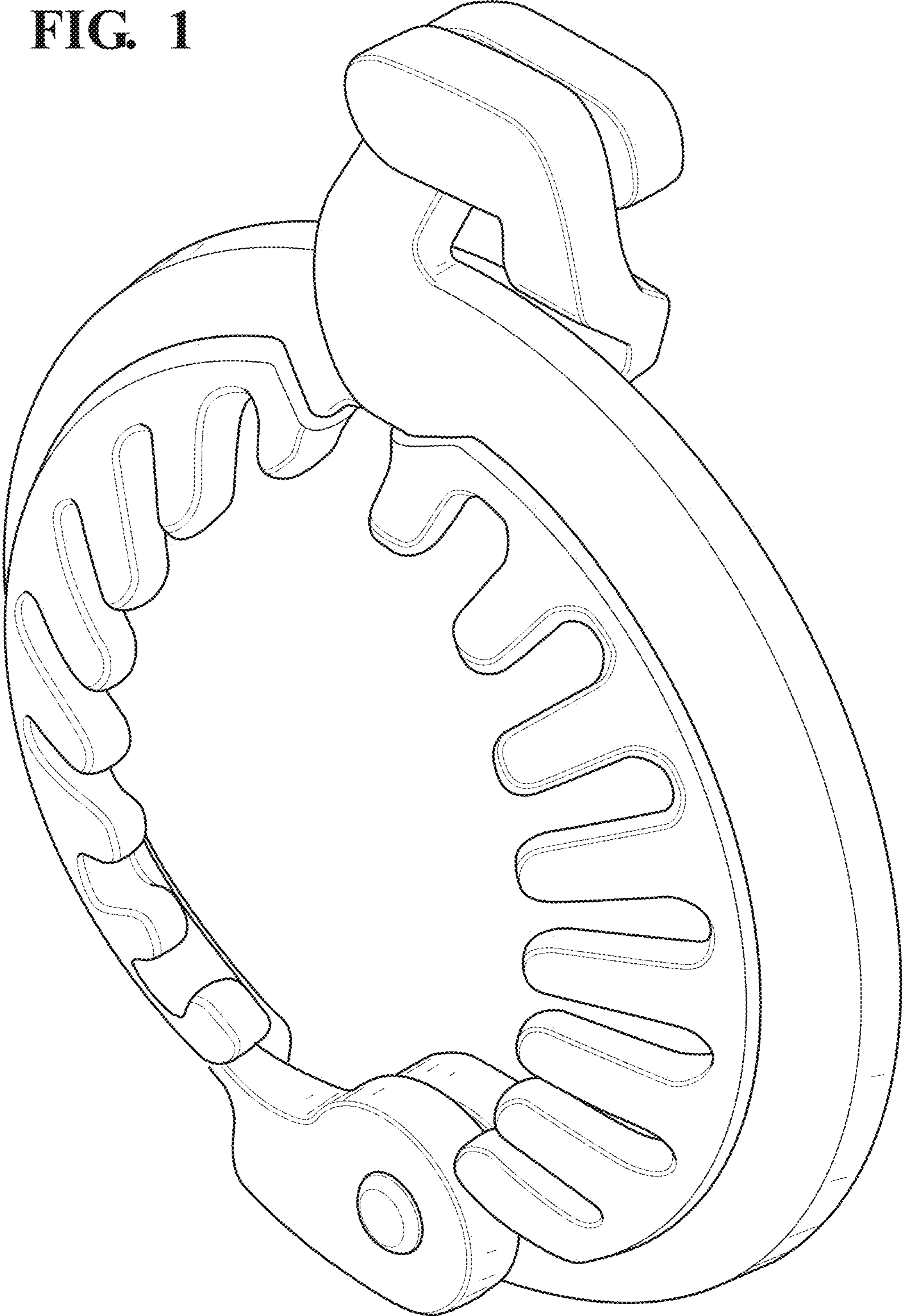


FIG. 1



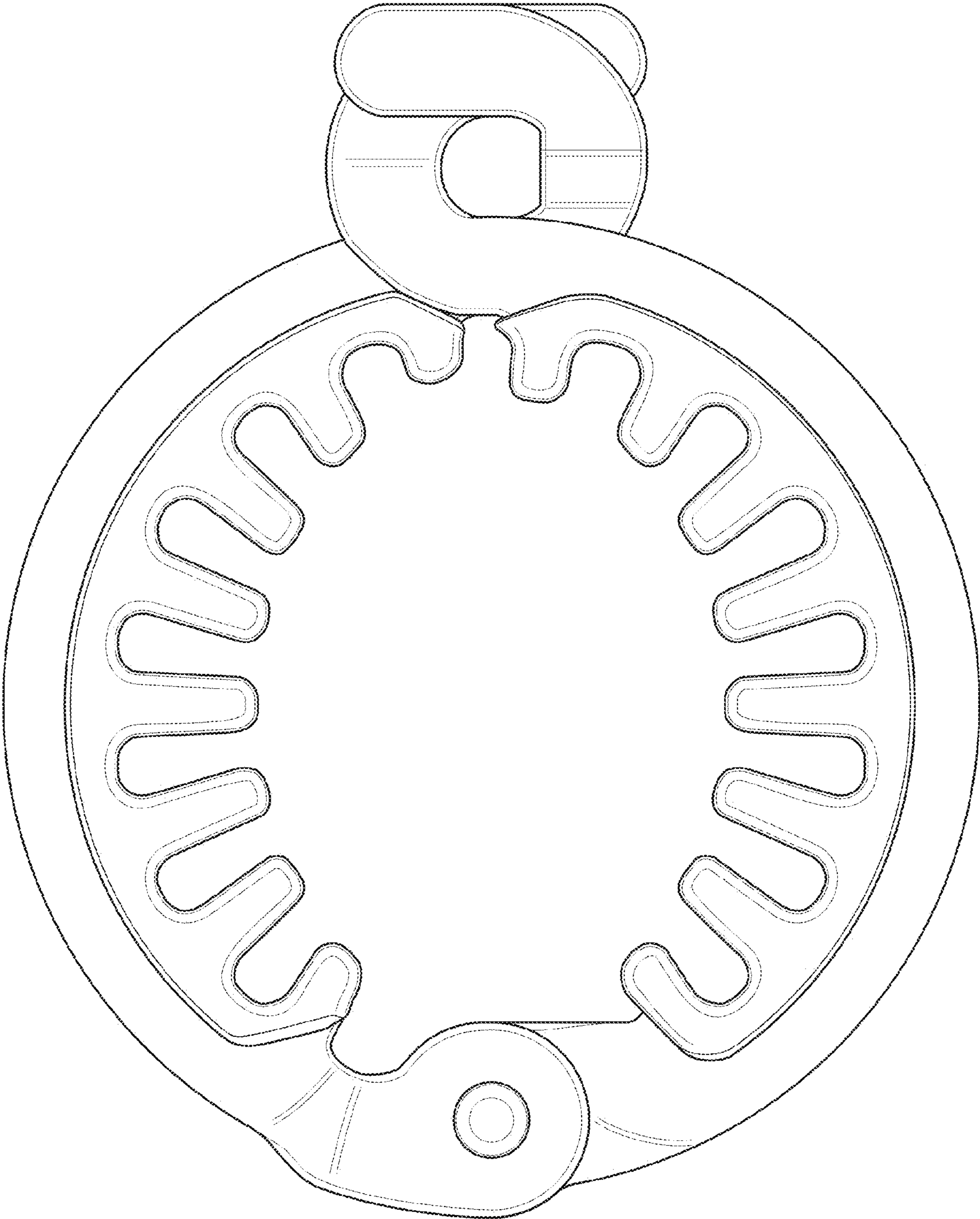


FIG. 2

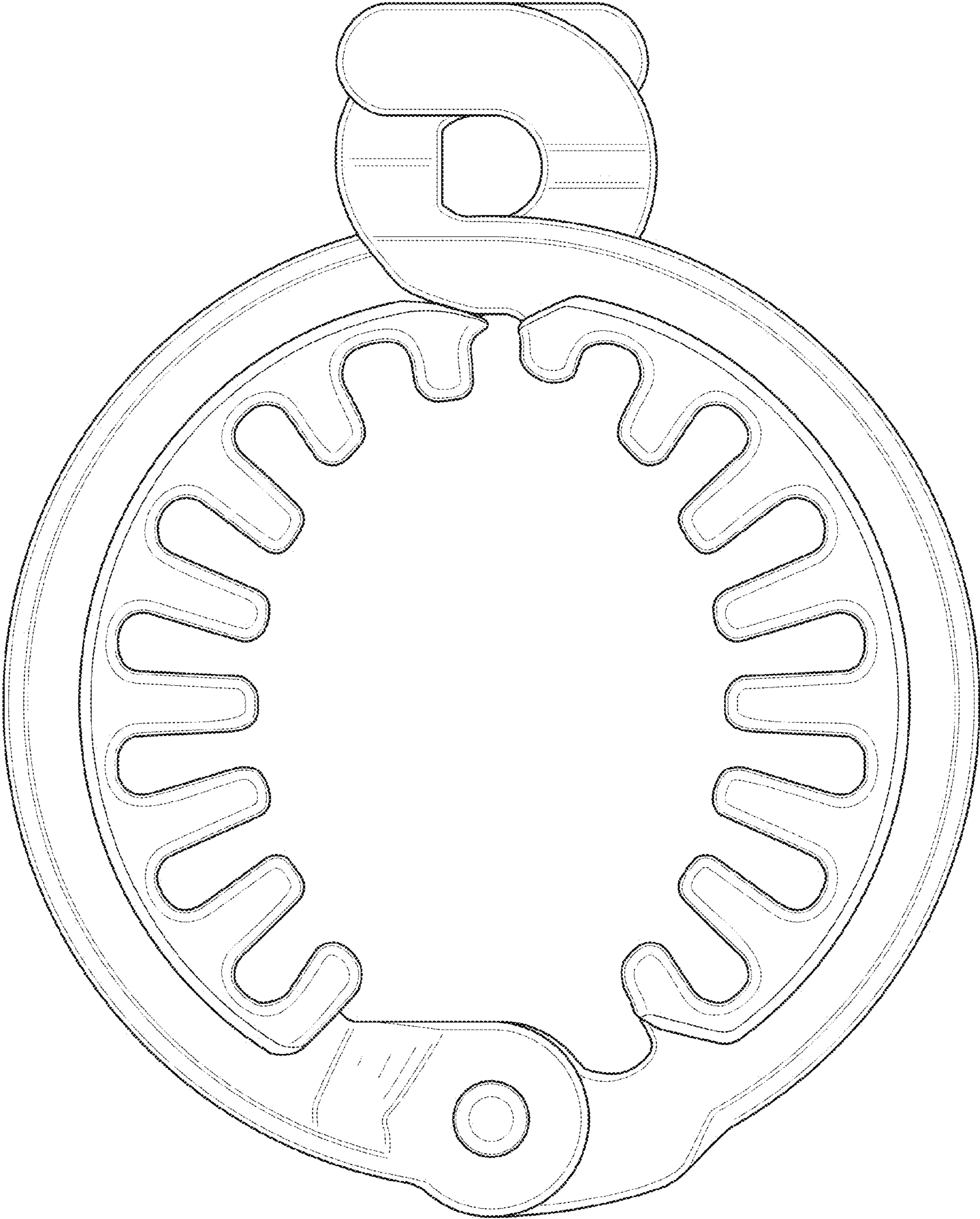


FIG. 3

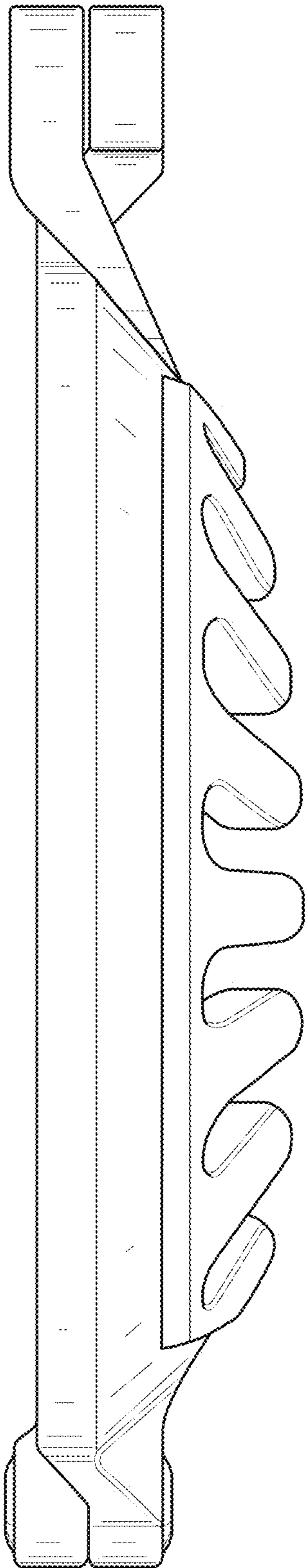


FIG. 4

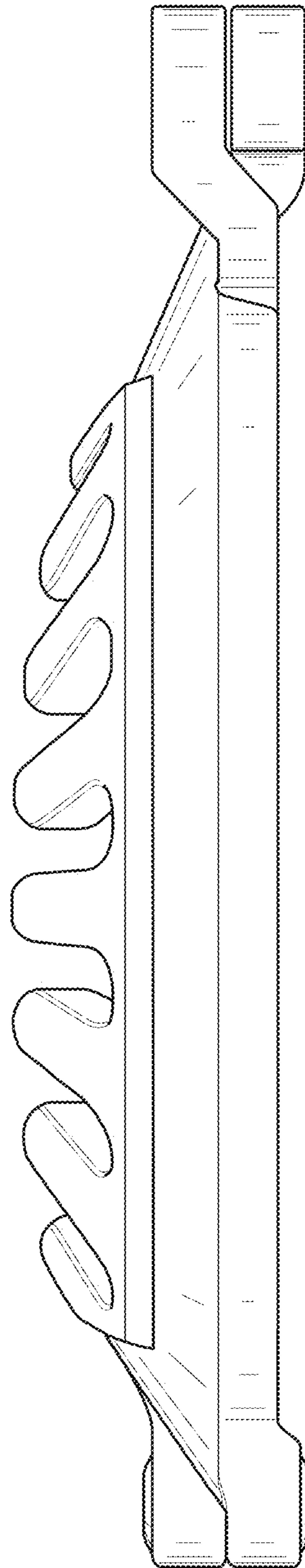


FIG. 5

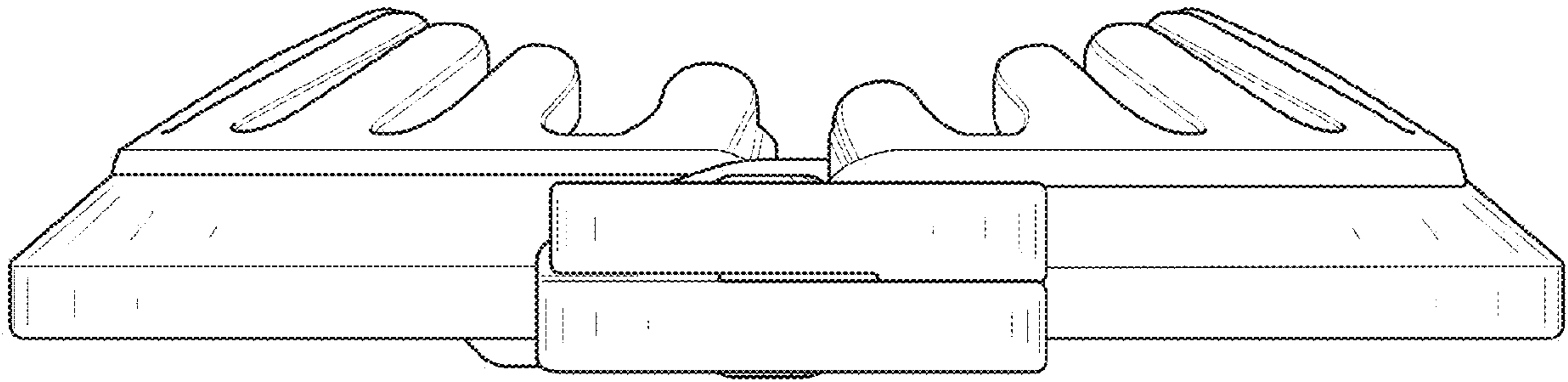


FIG. 6

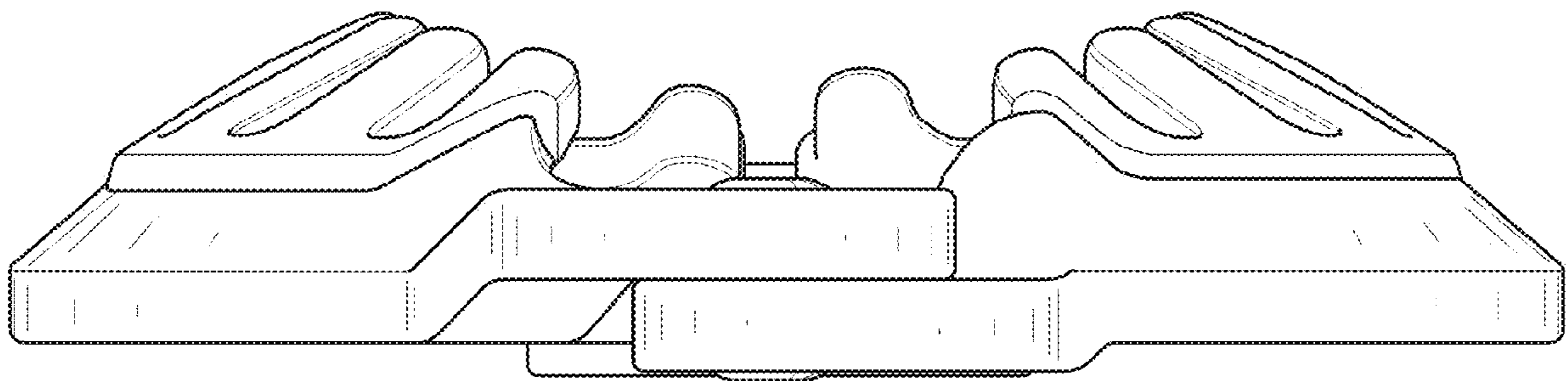


FIG. 7