



US00D870376S

(12) **United States Design Patent**
Nakada

(10) **Patent No.:** **US D870,376 S**
(45) **Date of Patent:** **** Dec. 17, 2019**

(54) **STOPPER FOR COSMETIC APPLICATOR**

(71) Applicant: **MITSUBISHI PENCIL COMPANY, LIMITED**, Tokyo (JP)

(72) Inventor: **Jun Nakada**, Fujioka (JP)

(73) Assignee: **MITSUBISHI PENCIL COMPANY, LIMITED**, Tokyo (JP)

(**) Term: **15 Years**

(21) Appl. No.: **29/653,030**

(22) Filed: **Jun. 12, 2018**

(30) **Foreign Application Priority Data**

Dec. 15, 2017 (JP) 2017-028089

(51) **LOC (12) Cl.** **28-01**

(52) **U.S. Cl.**
USPC **D28/7**

(58) **Field of Classification Search**
USPC D28/7, 8; D32/40, 52
CPC A45D 2200/10; A45D 2200/1072
See application file for complete search history.

(56) **References Cited**

U.S. PATENT DOCUMENTS

2,954,573 A * 10/1960 Campbell, Jr. B43M 11/06
401/8
6,397,633 B1 * 6/2002 Wu A44C 9/0069
63/1.11

8,747,002 B2 * 6/2014 Izkovitz A45D 40/00
401/8
8,881,744 B2 * 11/2014 McKinstry A41G 5/02
132/216
D738,044 S * 9/2015 Miles, Jr. D28/66
9,585,455 B2 * 3/2017 Boyle A45D 29/00
D819,895 S * 6/2018 Smith D30/125

* cited by examiner

Primary Examiner — Zenia I Bennett

(74) *Attorney, Agent, or Firm* — Andrew F. Young, Esq.;
Lackebach Siegel, LLP

(57) **CLAIM**

The ornamental design for a stopper for cosmetic applicator,
as shown and described.

DESCRIPTION

FIG. 1 is a front top perspective view of a stopper for cosmetic applicator showing my new design.

FIG. 2 is a front view thereof the rear view is a mirror image of the front view.

FIG. 3 is a right side view thereof.

FIG. 4 is a left side side view thereof.

FIG. 5 is a top plan view thereof; the bottom plan view is the same as the top plan view; and,

FIG. 6 is a rear bottom perspective view thereof.

The broken lines in the drawings are for illustrative purposes only and form no part of the claimed design and the dash-dot-dash broken lines illustrate the boundary of the claimed design.

1 Claim, 3 Drawing Sheets

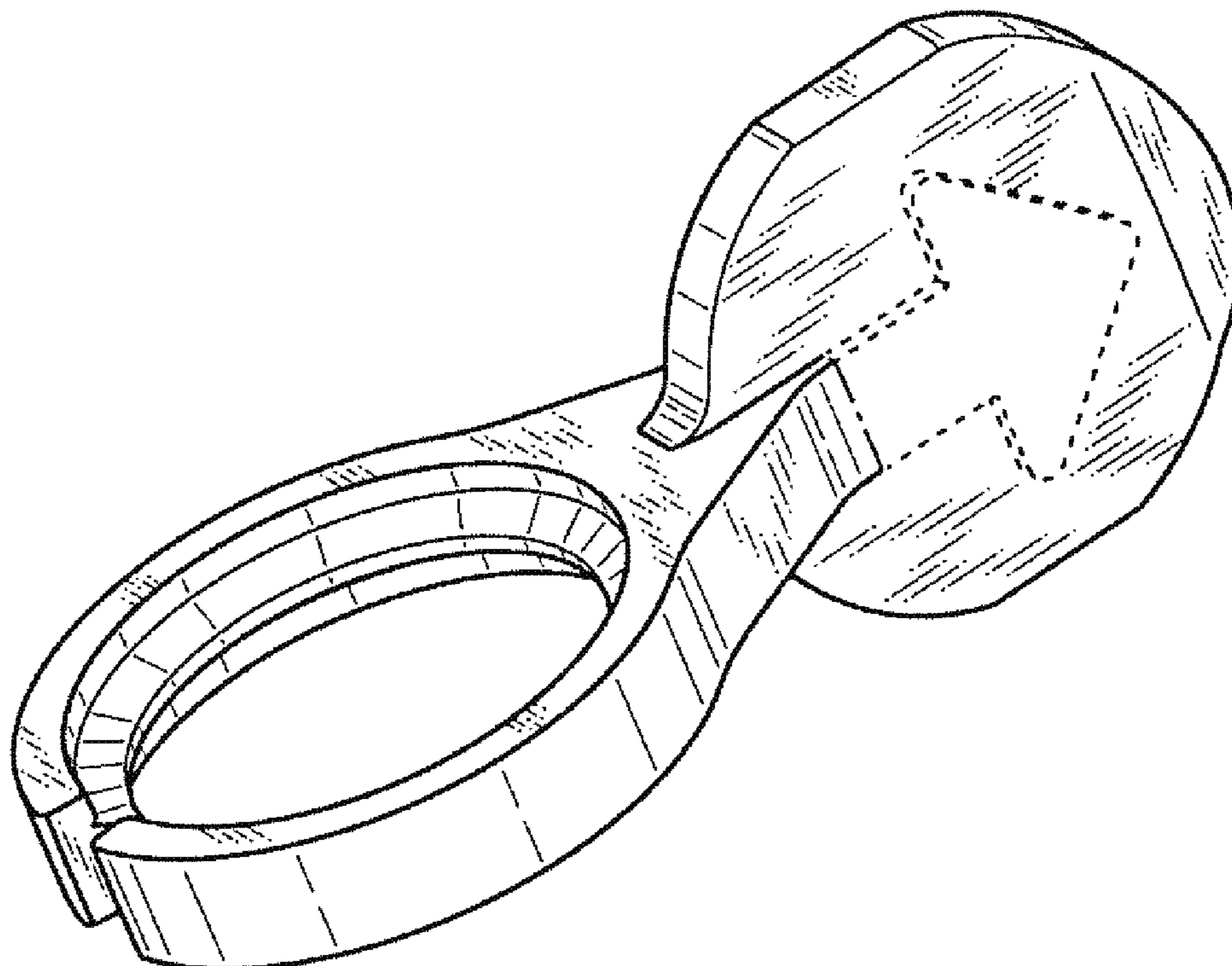


FIG. 1

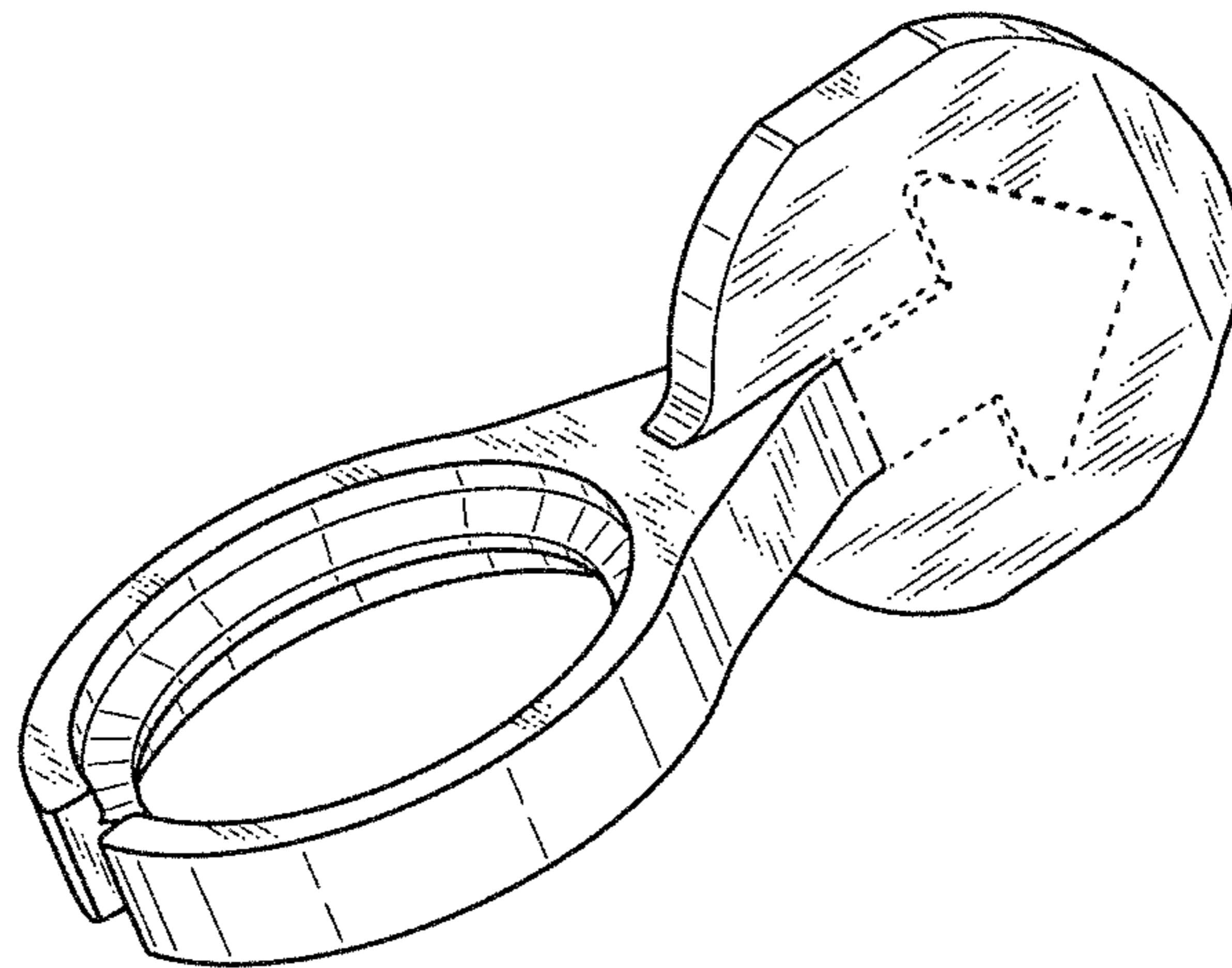


FIG. 2

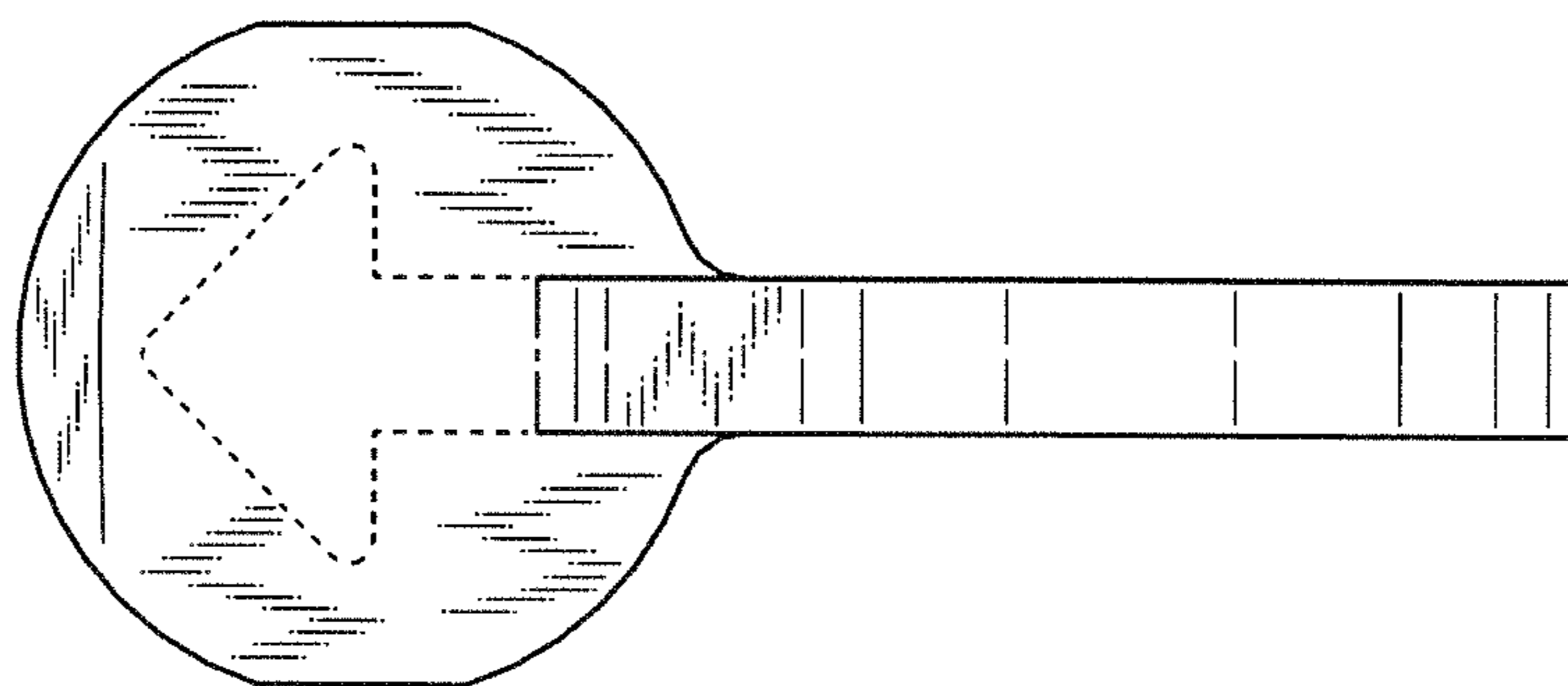


FIG. 3

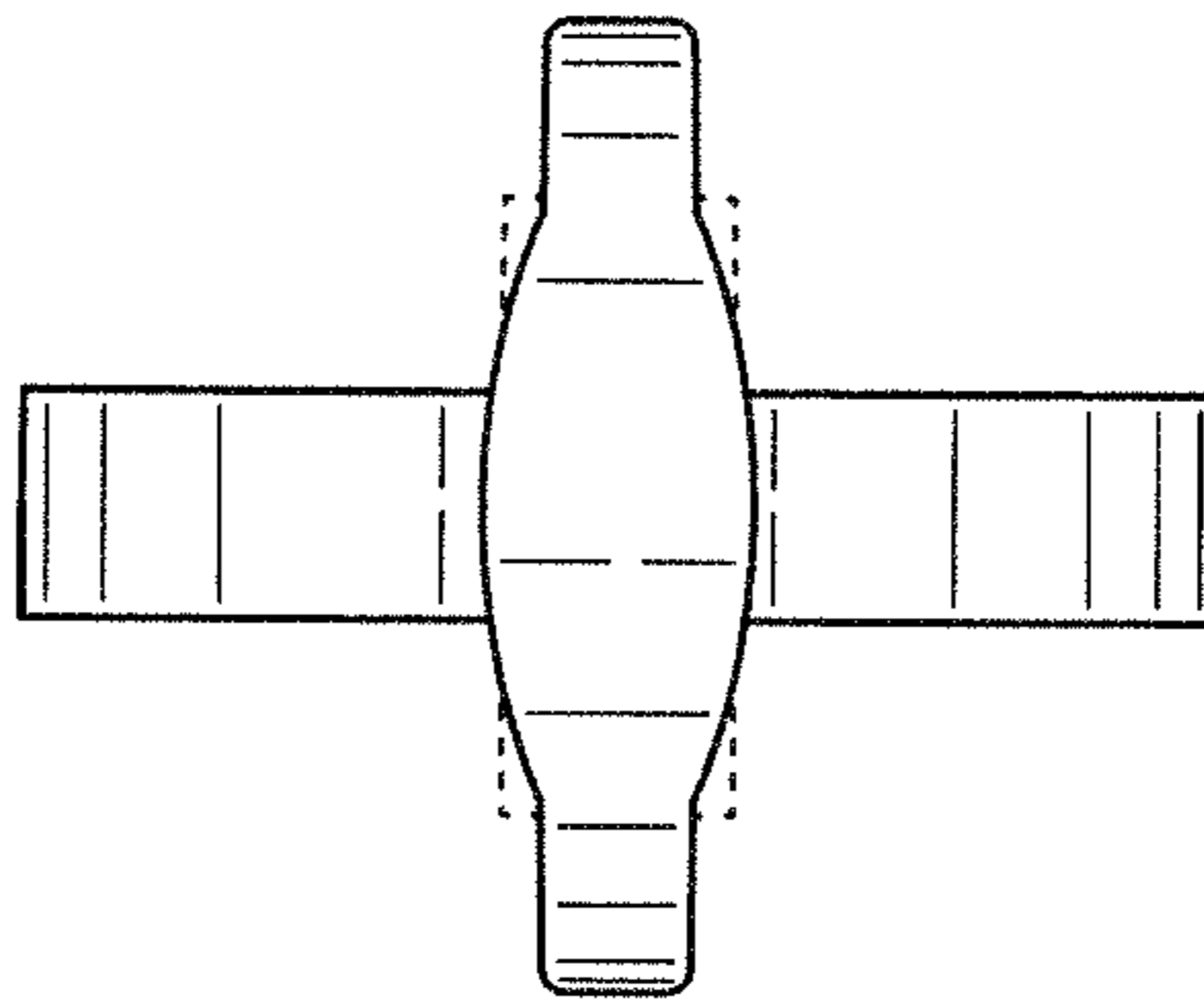


FIG. 4

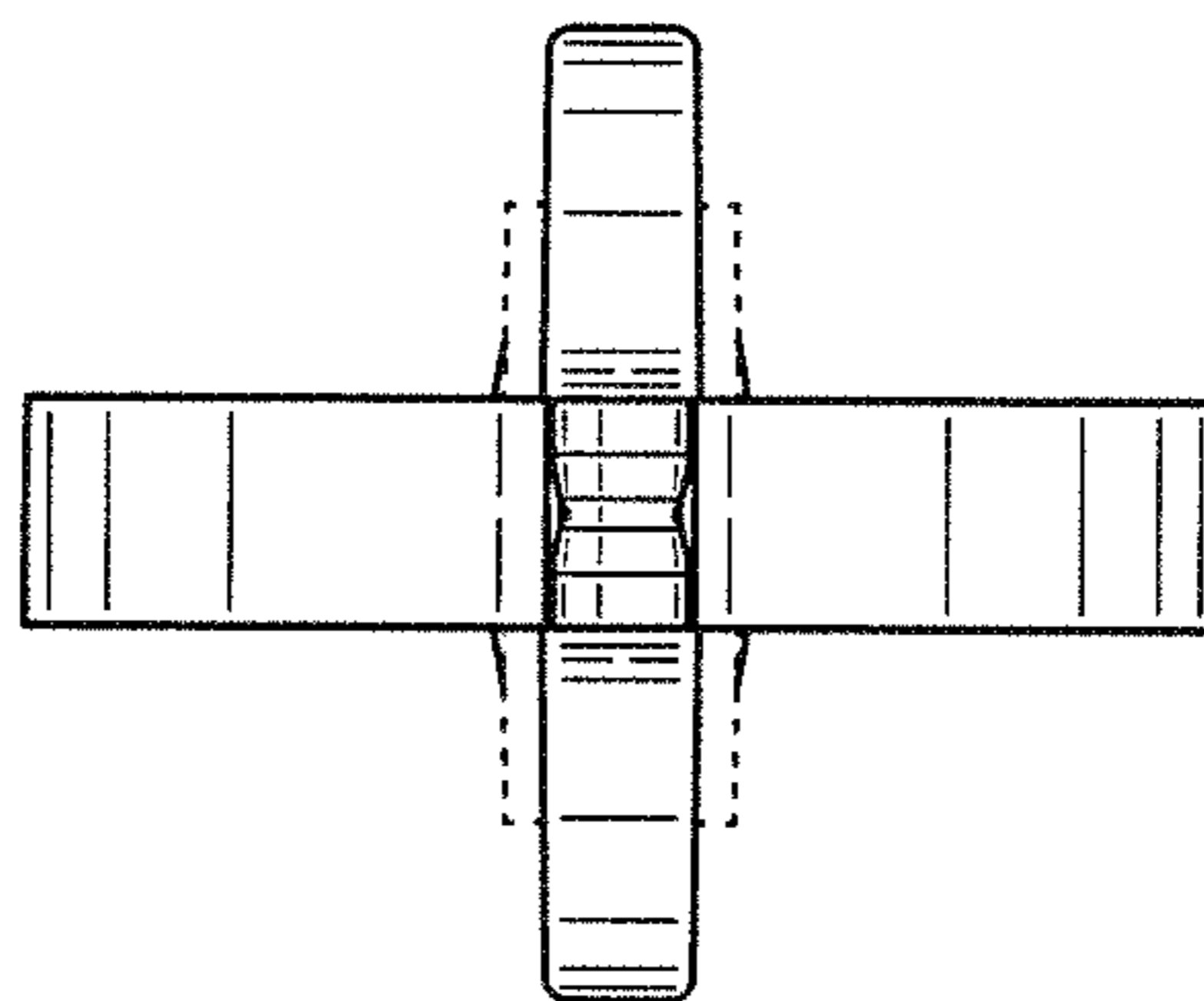


FIG. 5

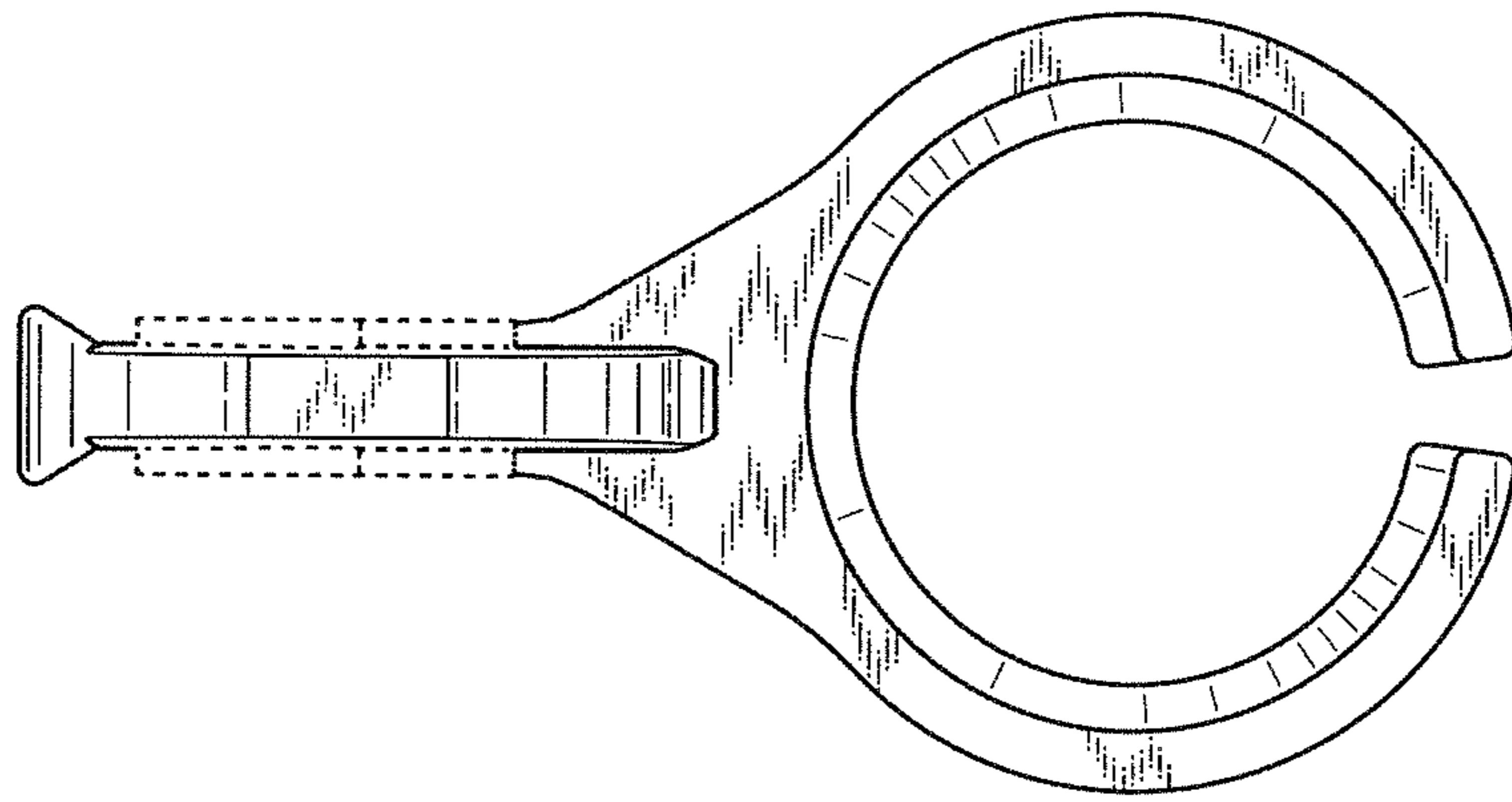


FIG. 6

