



US00D870373S

(12) **United States Design Patent** (10) **Patent No.:** **US D870,373 S**  
**Greenbaum et al.** (45) **Date of Patent:** **\*\* Dec. 17, 2019**

- (54) **CARTRIDGE FOR USE WITH A VAPORIZATION DEVICE**
- (71) Applicant: **GLAS, Inc.**, Los Angeles, CA (US)
- (72) Inventors: **Sean Greenbaum**, Los Angeles, CA (US); **Frank Nuovo**, Los Angeles, CA (US)
- (73) Assignee: **GLAS, INC.**, Los Angeles, CA (US)
- (\*\*) Term: **15 Years**
- (21) Appl. No.: **29/680,303**
- (22) Filed: **Feb. 14, 2019**
- (51) **LOC (12) Cl.** ..... **27-07**
- (52) **U.S. Cl.**  
USPC ..... **D27/169**
- (58) **Field of Classification Search**  
USPC ..... D27/100, 101, 161, 162-194; D23/366;  
D24/110; D19/101, 106, 115, 165, 195;  
D14/435.1  
CPC ..... A24F 47/00; A24F 47/002; A24F 15/12  
See application file for complete search history.

(56) **References Cited**

U.S. PATENT DOCUMENTS

D140,839 S *	4/1945	Carson	.....	D27/170
D197,689 S *	3/1964	Levin	.....	D27/164
D237,017 S *	9/1975	Beaufour	.....	D24/110
D299,066 S *	12/1988	Newell	.....	D24/110
D301,837 S	6/1989	Peterson et al.		
D329,253 S *	9/1992	Sekiguchi	.....	D19/165
D401,011 S *	11/1998	Sloan, II	.....	D27/183
D424,739 S *	5/2000	Ross	.....	D27/170
D470,529 S *	2/2003	Tu	.....	D19/165
D485,639 S *	1/2004	Stronski	.....	D27/170
6,679,425 B1	1/2004	Sheppard et al.		
D527,817 S *	9/2006	Ziegler	.....	D24/110
D532,927 S	11/2006	Sann		
D540,687 S	4/2007	Egawa		

- D545,904 S 7/2007 Chen et al.
  - D558,060 S 12/2007 Sir et al.
  - D562,151 S 2/2008 Larocca et al.
  - D569,727 S 5/2008 Moretti
  - D577,591 S 9/2008 Bouroullec et al.
- (Continued)

OTHER PUBLICATIONS

Take control of your PAX experience with the PAX Mobile app. Website: <https://www.paxvapor.com/pax-app/> (last visited: Mar. 12, 2019).

(Continued)

*Primary Examiner* — Marissa J Cash

(74) *Attorney, Agent, or Firm* — Marshall, Gerstein & Borun LLP

(57) **CLAIM**

The ornamental design for “a cartridge for use with a vaporization device,” as shown and described.

**DESCRIPTION**

FIG. 1 is a perspective view of a cartridge for use with a vaporization device;

FIG. 2 is a top view of the cartridge of FIG. 1;

FIG. 3 is a bottom view of the cartridge of FIG. 1;

FIG. 4 is a left-side view of the cartridge of FIG. 1;

FIG. 5 is a right-side view of the cartridge of FIG. 1;

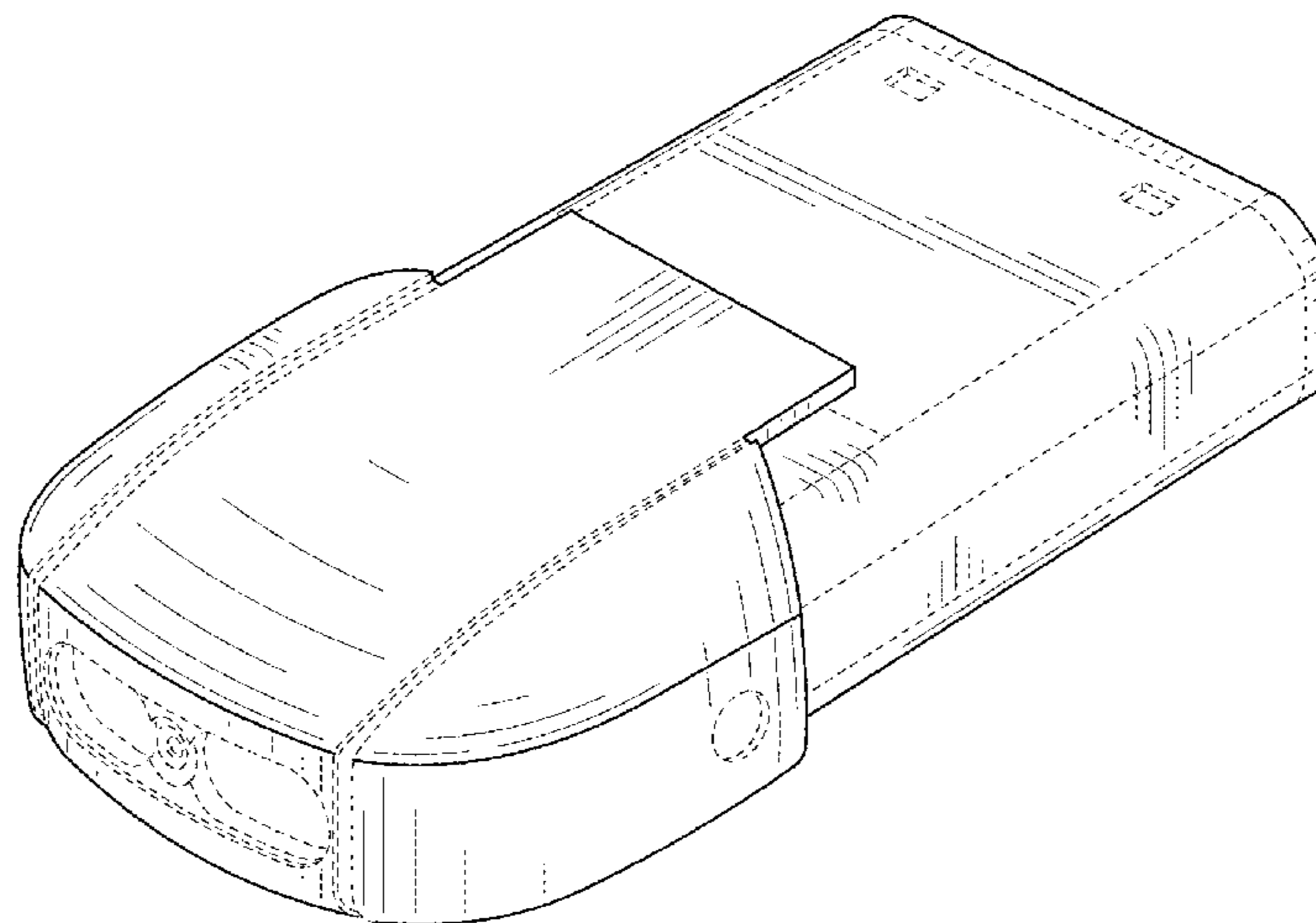
FIG. 6 is a front view of the cartridge of FIG. 1;

FIG. 7 is a rear view of the cartridge of FIG. 1; and,

FIG. 8 is a perspective view of the cartridge of FIG. 1, the cartridge being positioned within a receptacle of a body of the vaporization device.

In the drawings, the broken lines represent unclaimed subject matter and form no part of the claimed design. In FIG. 8, the broken lines showing the vaporization device are for environmental purposes only and form no part of the claimed design.

**1 Claim, 5 Drawing Sheets**



(56)

References Cited

U.S. PATENT DOCUMENTS

D579,498 S *	10/2008	Bhavnani	.....	D19/195	D802,839 S	11/2017	Scott	
D599,670 S	9/2009	Qin			D804,717 S *	12/2017	Wang	..... D27/101
D602,089 S *	10/2009	Keda	.....	D19/195	D805,685 S	12/2017	Lee	
D614,346 S	4/2010	Lik			D806,311 S	12/2017	Smith	
D616,753 S	6/2010	Beam et al.			D808,071 S	1/2018	Folkerts et al.	
D633,560 S	3/2011	Clivio			D811,003 S	2/2018	Folyan	
D645,817 S	9/2011	Sasada et al.			9,894,938 B2	2/2018	Vick et al.	
8,107,953 B2	1/2012	Zimmerman et al.			D813,447 S	3/2018	Watson	
D669,123 S *	10/2012	Jiang	.....	D19/165	D815,341 S *	4/2018	Qiu	..... D27/101
D670,272 S	11/2012	Suzuki			D818,636 S *	5/2018	Qiu	..... D27/101
8,433,302 B2	4/2013	Hunter et al.			D818,638 S *	5/2018	Wright	..... D27/170
D682,698 S	5/2013	Young			D818,639 S *	5/2018	Kayvon	..... D27/170
D684,311 S	6/2013	Liu			D819,263 S *	5/2018	Zhu	..... D27/101
D697,616 S *	1/2014	Berry	.....	D24/110	D819,881 S	6/2018	Qiu	
8,833,364 B2	9/2014	Buchberger			D820,514 S *	6/2018	Durand	..... D27/162
D718,492 S	11/2014	Albanese			D820,515 S *	6/2018	Nettenstrom	..... D27/167
8,897,628 B2	11/2014	Conley et al.			D822,271 S	7/2018	Eksouzian	
D720,095 S	12/2014	Alima			D822,896 S	7/2018	Durand	
D720,881 S	1/2015	Liu			D824,096 S *	7/2018	Qiu	..... D27/167
D721,202 S	1/2015	Liu			D825,099 S *	8/2018	Wright	..... D27/101
D723,216 S	2/2015	Chen			D825,102 S	8/2018	Bowen et al.	
D725,310 S	3/2015	Eksouzian			D825,834 S *	8/2018	Chen	..... D27/101
D725,821 S	3/2015	Levin et al.			D827,195 S *	8/2018	Chen	..... D27/101
D725,822 S	3/2015	Liu			D829,371 S	9/2018	Durand	
D728,155 S	4/2015	Liu			D829,980 S *	10/2018	Qiu	..... D27/162
D728,156 S	4/2015	Wu			D832,499 S *	10/2018	Qiu	..... D27/162
D732,239 S	6/2015	Chen			D832,500 S *	10/2018	Qiu	..... D27/162
D732,733 S	6/2015	Spagnolo et al.			10,104,915 B2	10/2018	Bowen et al.	
D733,050 S	6/2015	Chiang			10,111,470 B2	10/2018	Monsees et al.	
D735,661 S	8/2015	Miller et al.			D834,246 S *	11/2018	Qiu	..... D27/162
D738,302 S	9/2015	Jeong et al.			10,117,465 B2	11/2018	Monsees et al.	
D739,973 S	9/2015	Chao			10,117,466 B2	11/2018	Monsees et al.	
D743,887 S	11/2015	Dasbach			10,130,123 B2	11/2018	Hatton et al.	
D743,889 S	11/2015	Lyles et al.			D835,337 S *	12/2018	Beer	..... D27/162
D749,777 S	2/2016	Quesada			D835,577 S	12/2018	Zhang	
9,247,773 B2	2/2016	Memari et al.			D836,541 S	12/2018	Lomeli	
D750,821 S	3/2016	Rusay			D836,831 S *	12/2018	Cividi	..... D27/162
D751,249 S	3/2016	Chen			D837,446 S *	1/2019	Durand	..... D27/101
D754,377 S	4/2016	Nook et al.			D838,899 S *	1/2019	Qiu	..... D27/167
D757,352 S	5/2016	Bagai			D838,900 S *	1/2019	Freese	..... D27/170
D757,353 S	5/2016	Nunnely et al.			D842,536 S *	3/2019	Bowen	..... D27/167
D757,994 S	5/2016	Moradian			D844,235 S *	3/2019	Cividi	..... D27/167
D758,650 S	6/2016	Wu			D844,236 S *	3/2019	Tidnam	..... D27/169
D758,651 S	6/2016	Wu			D844,240 S *	3/2019	Kauss	..... D27/194
D759,303 S	6/2016	Afridi			D855,251 S *	7/2019	Qiu et al.	..... D27/162
D760,948 S	7/2016	Eksouzian			2013/0068239 A1	3/2013	Youn	
D762,003 S	7/2016	Lomeli			2014/0060552 A1	3/2014	Cohen	
D762,564 S	8/2016	Patton et al.			2014/0116455 A1	5/2014	Youn	
D763,502 S *	8/2016	Verleur	.....	D27/167	2014/0378790 A1	12/2014	Cohen	
D768,068 S	10/2016	Chen			2015/0034104 A1	2/2015	Zhou	
D768,920 S	10/2016	Jones et al.			2015/0150305 A1	6/2015	Shenkal	
D770,676 S	11/2016	Bennett et al.			2015/0342255 A1	12/2015	Wu	
D773,727 S	12/2016	Eksouzian			2016/0345626 A1	12/2016	Wong et al.	
D776,337 S	1/2017	Levin et al.			2017/0119044 A1	5/2017	Oligschlaeger et al.	
D776,848 S	1/2017	Eastman, II			2017/0308889 A1	10/2017	Cameron et al.	
D776,869 S	1/2017	Heidi			2018/0020720 A1	1/2018	Matischek et al.	
D778,828 S	2/2017	Morgan			2018/0043114 A1 *	2/2018	Bowen	..... A61M 15/003
D779,719 S	2/2017	Qiu			2018/0098568 A1 *	4/2018	Qiu	..... A24F 7/00
D786,497 S	5/2017	Sudlow et al.			2018/0295886 A1	10/2018	Freeman et al.	
9,743,691 B2	8/2017	Minskoff et al.			2018/0310618 A1 *	11/2018	Watson	..... H05B 1/0227
D799,110 S	10/2017	Qiu			2018/0317557 A1	11/2018	Monsees et al.	
D799,112 S	10/2017	Qiu			2018/0360129 A1	12/2018	Bowen et al.	
D799,113 S	10/2017	Qiu			2019/0000148 A1	1/2019	Atkins et al.	
D799,744 S	10/2017	Qiu			2019/0037926 A1 *	2/2019	Qiu	..... A24F 47/008
D799,745 S	10/2017	Qiu			2019/0053542 A1 *	2/2019	Chen	..... A24F 47/008
D799,748 S *	10/2017	Freese	.....	D27/170				
D799,749 S *	10/2017	Freese	.....	D27/170				
D800,383 S *	10/2017	Verleur	.....	D27/167				

OTHER PUBLICATIONS

“Upgrade Your PAX,” (2018). Available at: <URL:https://www.paxvapor.com/>.

\* cited by examiner

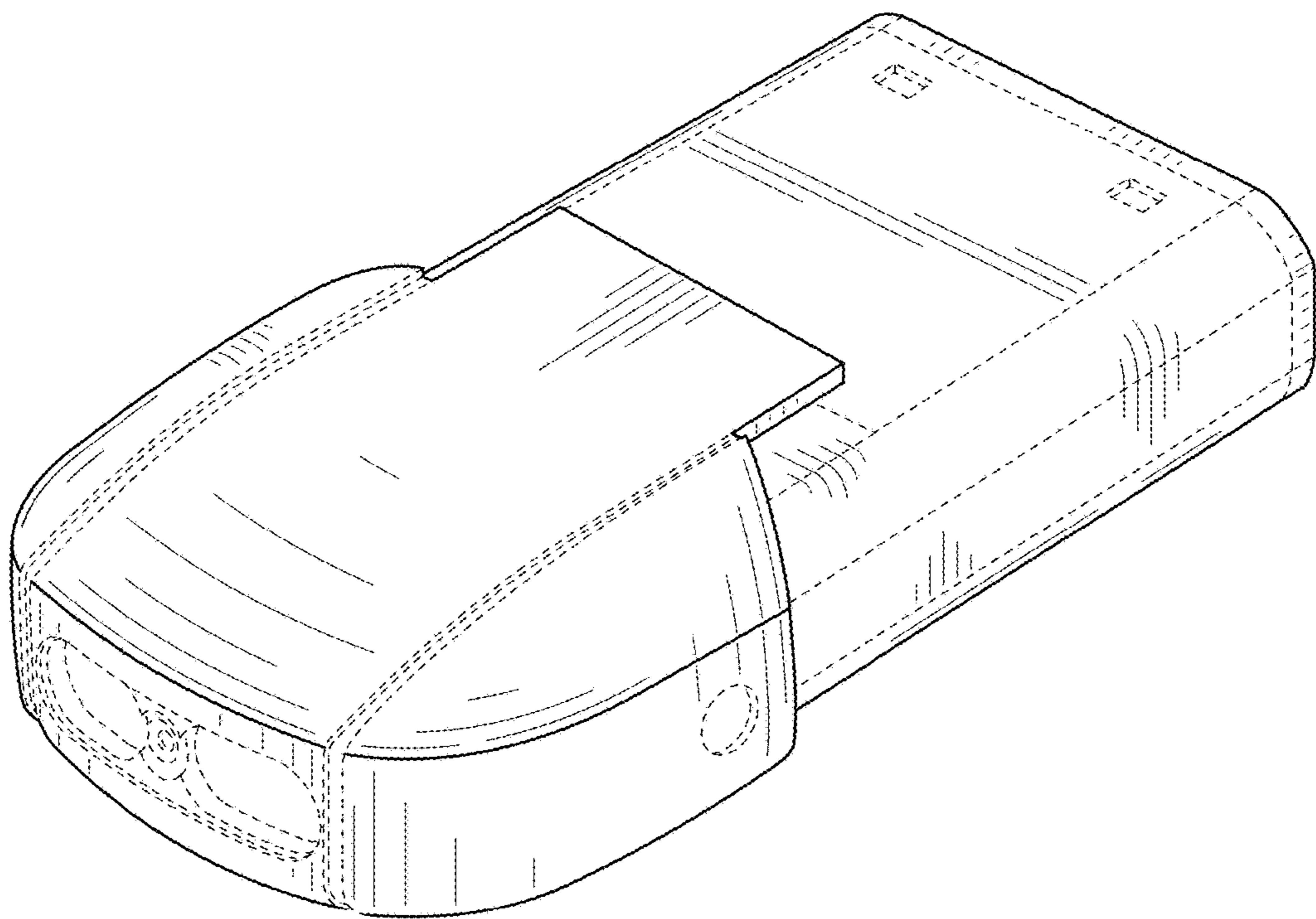


FIG. 1

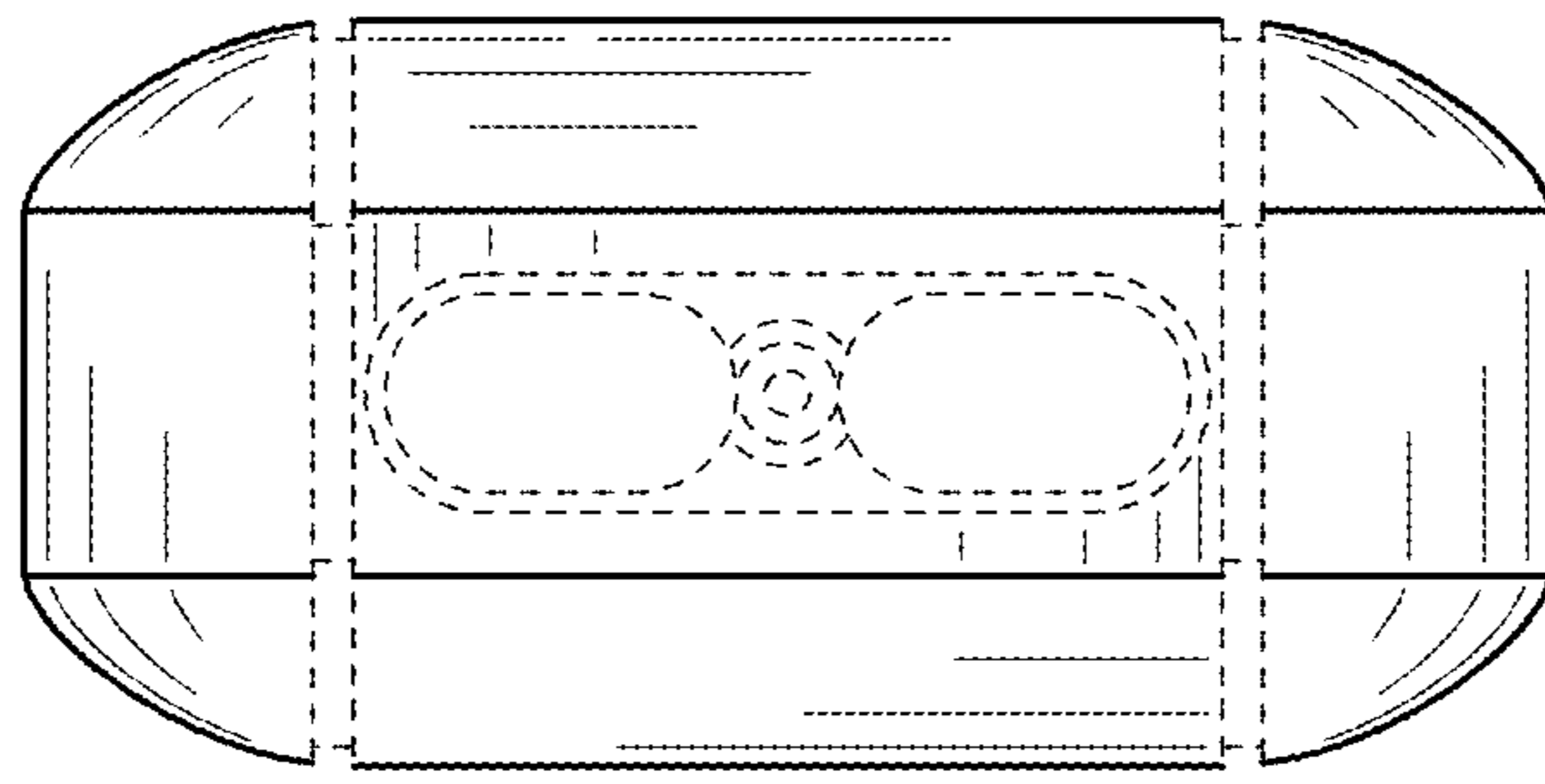


FIG. 2

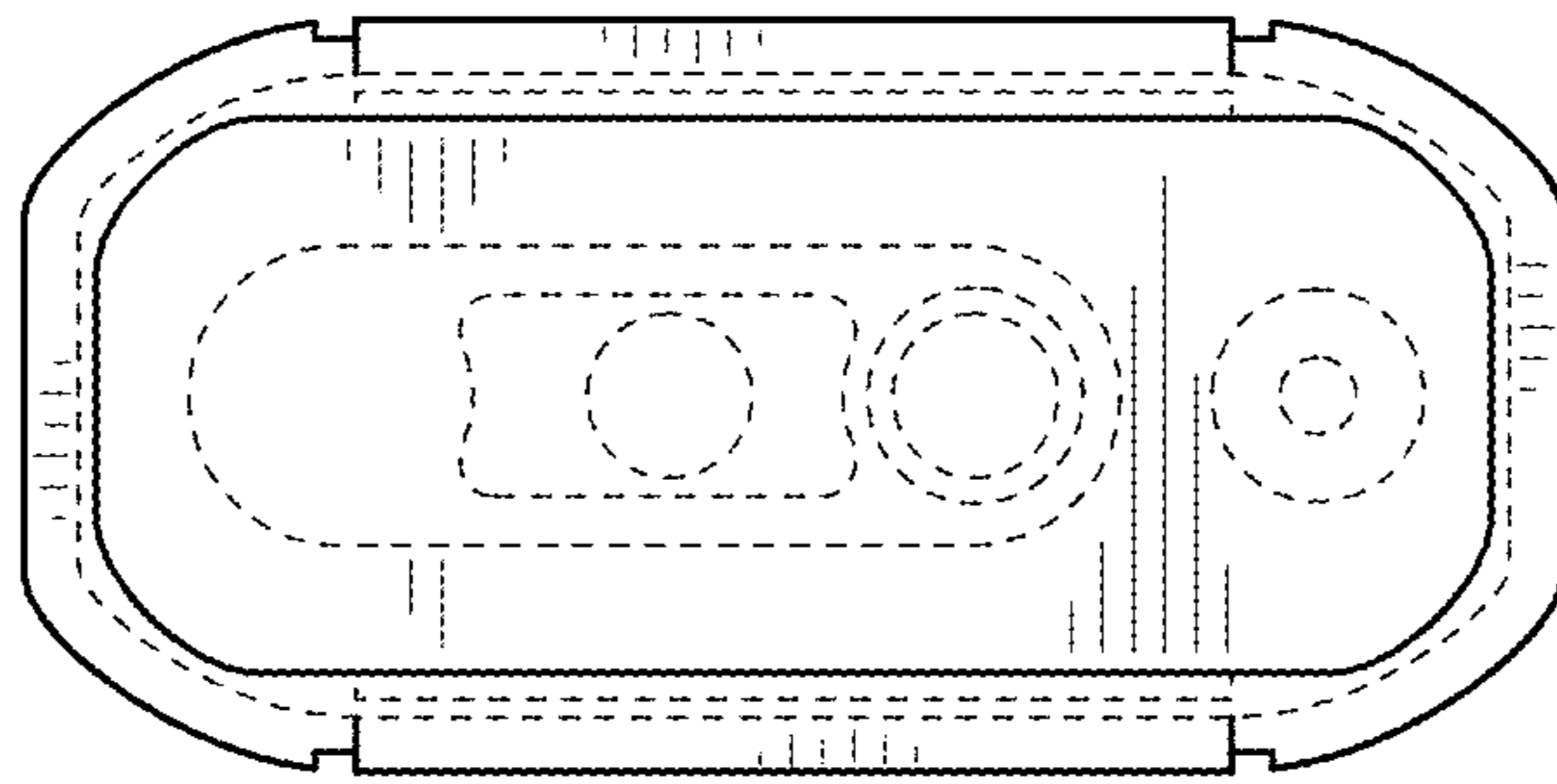


FIG. 3

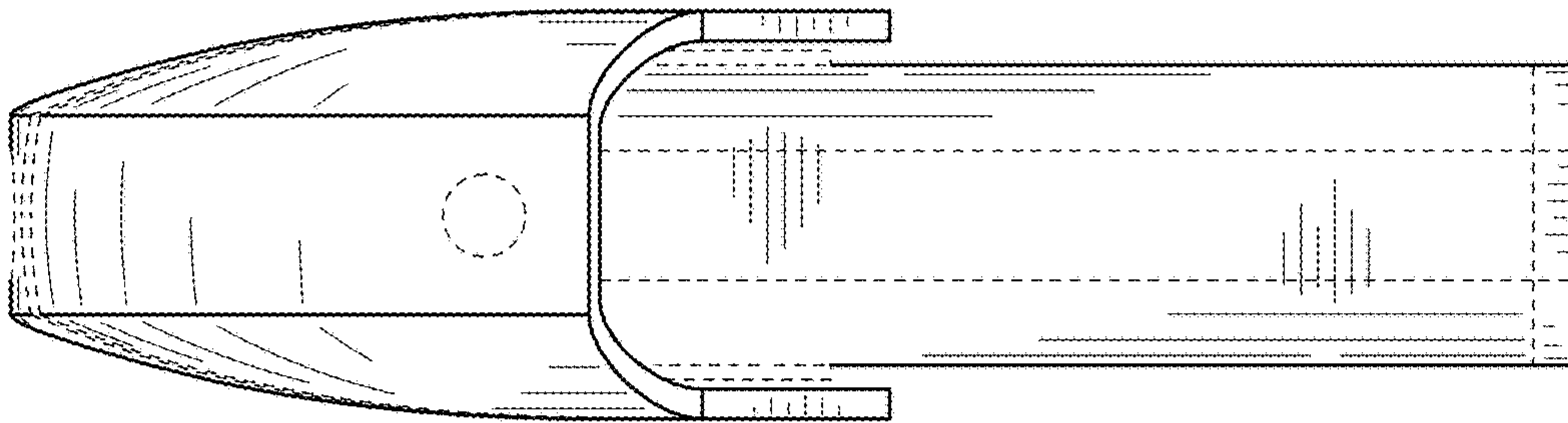


FIG. 4

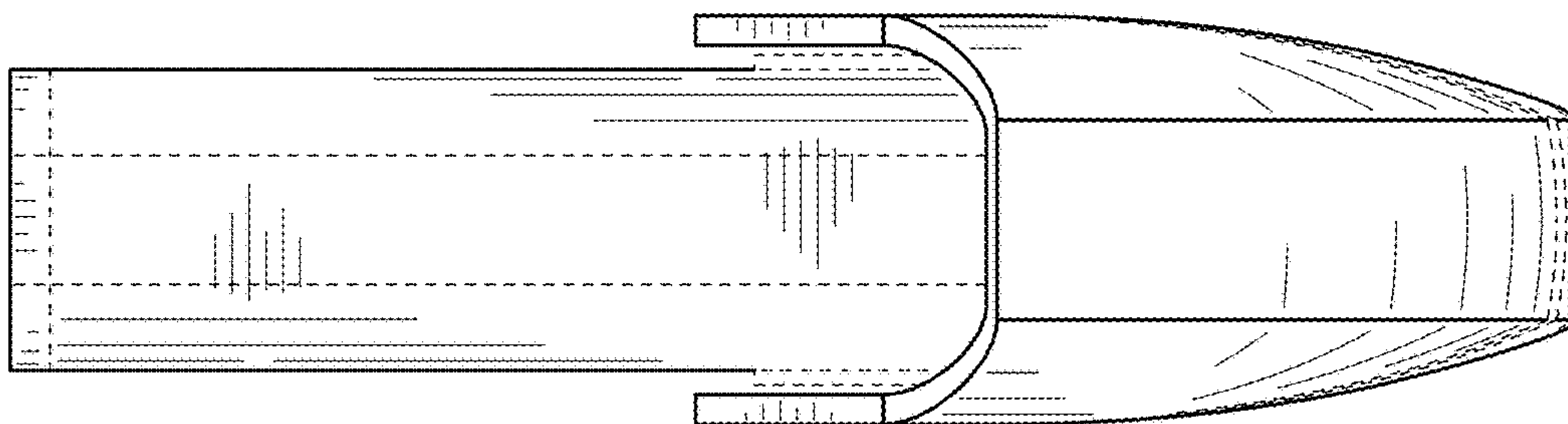


FIG. 5

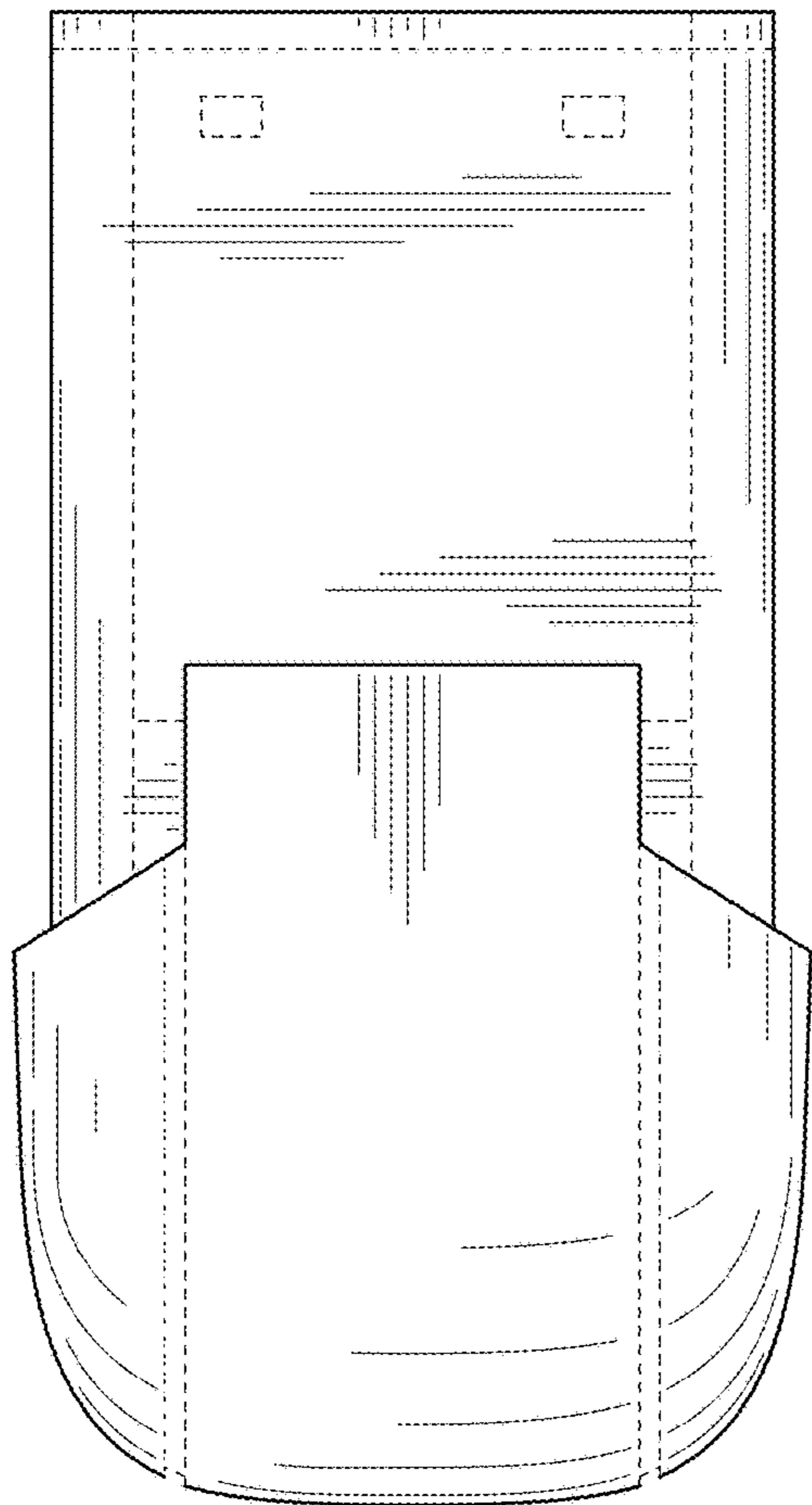


FIG. 6

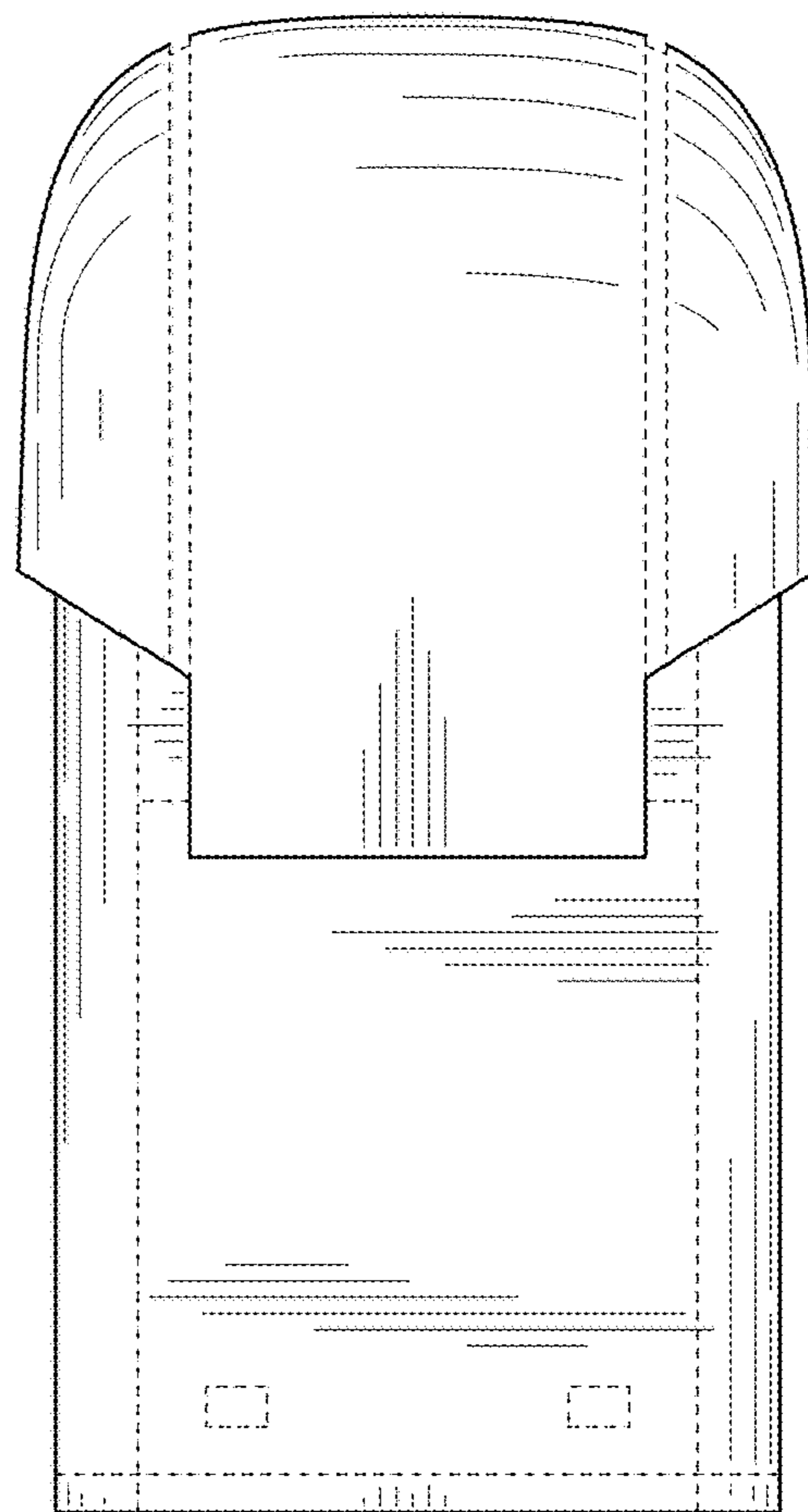


FIG. 7

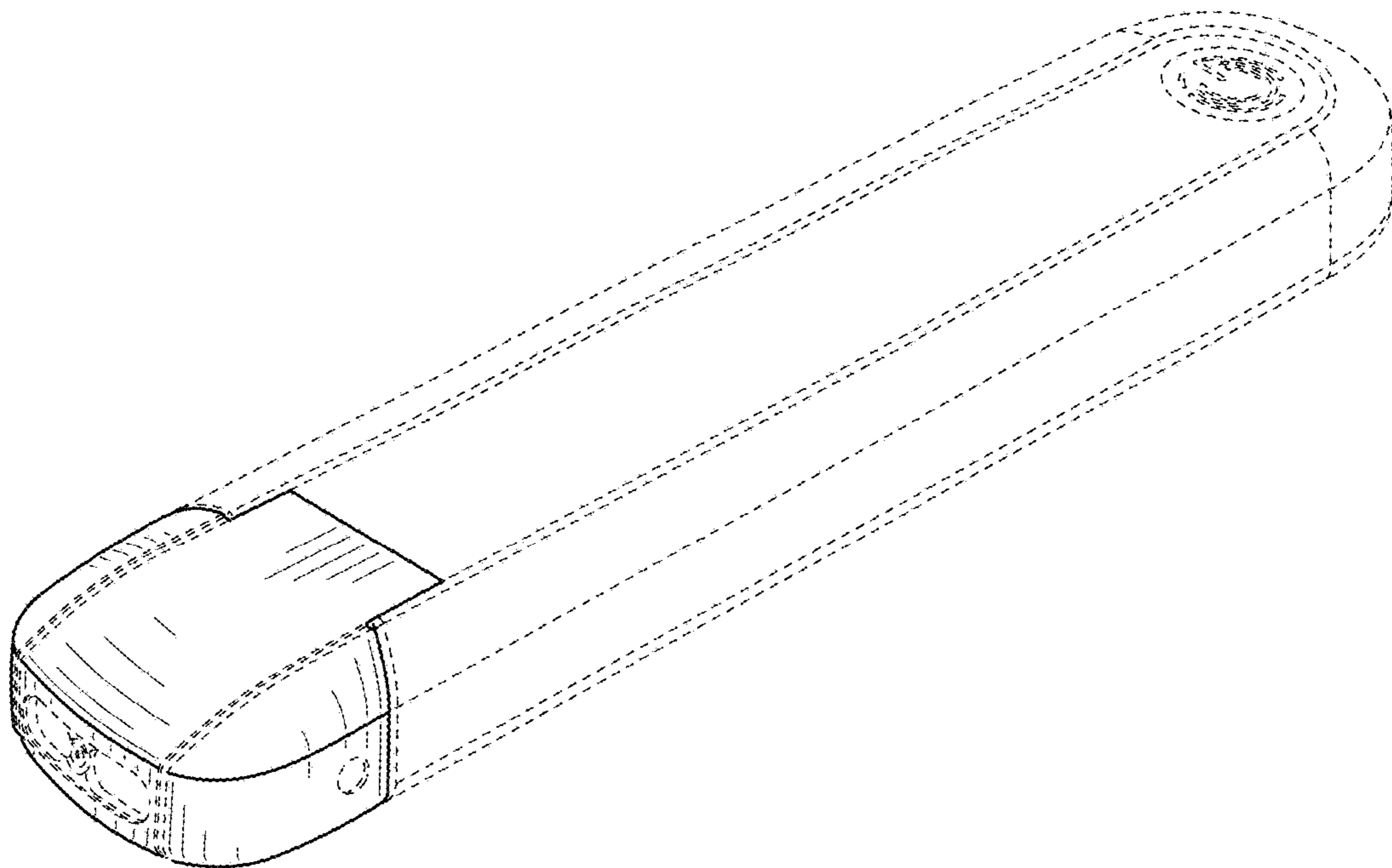


FIG. 8